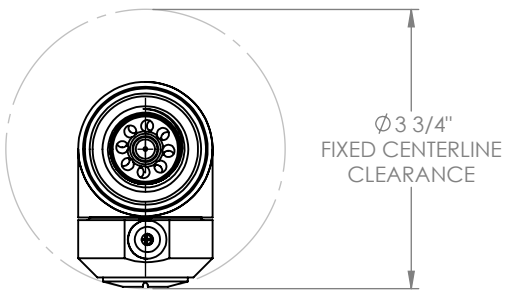
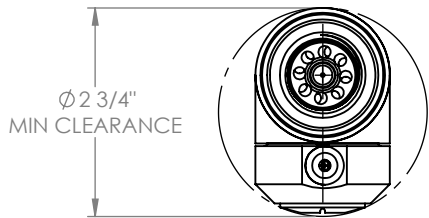
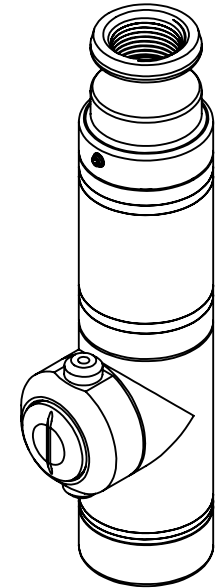
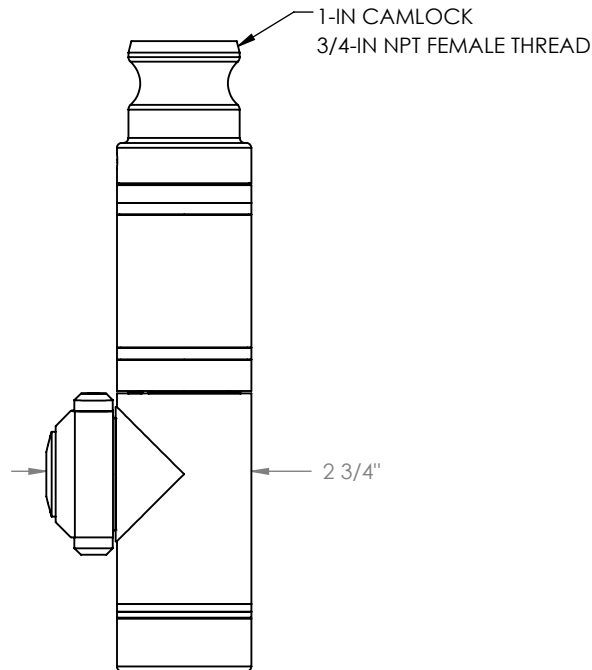
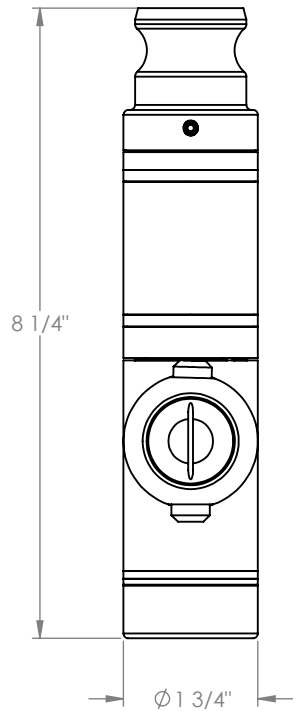


1 2 3 4 5 6



NOTES:
 -316 SS, 18-8 Fasteners, Plastics, and Elastomers
 -Weight: 4 lbs.
 -Dual (shown) and Triple Nozzle Available
 -Nozzle Sizes: Ranging from 1/8" to 1/4"
 -Flow Range: 5 to 40 GPM
 -Pressure Range: 40 to 300 PSIG
 -Min Full Wash Cycle: 10 minutes



A

B

C

D

THIS DRAWING IS THE PROPERTY OF ALFA LAVAL REPRODUCTIONS AND USE OTHER THAN BORROWER'S AGREEMENT IS PROHIBITED. THIS DOCUMENT SHALL NOT BE LENT OR DISPOSED OF DIRECTLY OR INDIRECTLY NOR USED FOR ANY PURPOSE OTHER THAN THAT WHICH IS SPECIFICALLY FURNISHED.

DIMENSIONS ARE IN INCHES DIMENSIONS INTERPRETED PER ASME 14.5M-1994
 TOLERANCES:
 .X $\pm 1/16$
 .XX ± 0.010
 .XXX ± 0.005
 ANGLE $\pm 0.5^\circ$

DRAWN BY: AW
 DRAWN DATE: 03/15/2019
 APPROVED BY: AW
 APPROVED DATE: 03/15/2019
 MATERIAL: SEE NOTES

Alfa Laval
 DESCRIPTION
 GJ A6
 CAMLOCK - 3/4" NPT INLET

DWG. NO. A6-1000-NPT-CS

REV 1
 SHEET 1/1

REVISIONS

REV	ECN/DESCRIPTION	BY	DATE	APR
1	NEW PRINT	ACW	3/15/2019	ACW

SIZE A SCALE 1:2.5 FINISH 32 Rd