

# Relative Turbidity Meter ITM-51



## Application / Specified Usage

- Relative turbidity measurement of liquid media for mid to high turbidity range (200...300,000 NTU equivalent)

## Application Examples

- Phase separation of products (for example whey – cream – milk)
- CIP-return line (monitoring of pre-rinse water to product leftovers)
- Yeast harvest in breweries
- Quality control
- Leakage control of filter and gaskets

## Hygienic Design / Process Connection

- Hygienic process connection with CLEANadapt
- Conforming to 3-A Sanitary Standard (46-03) for versions with DIRECTadapt
- All wetted materials are FDA-conform
- Sensor completely made of stainless steel
- Complete overview of process connections: see order code
- The Anderson-Negele CLEANadapt system offers a flow-optimized, hygienic and easily sterilizable installation solution for sensors.

## Features / Advantages

- CIP-/SIP-cleaning up to 140 °C (284 °F) / maximum 120 minutes
- Front flush or extended sensor stem
- Optics made of high resistant sapphire
- Integrated leakage detection in the sensor
- Independent to reflexions at small diameters or electro-polished surfaces
- No color dependency (wave length 860 nm)
- Smallest pipe diameter: DN 25
- High reproducibility:  $\leq 1\%$  of full scale
- Switching output (switchpoint and hysteresis freely adjustable)
- Analog output 4...20 mA freely adjustable
- External range switching between two measurement ranges

## Options / Accessories

- Electrical connection with M12 plug-in connector
- Preassembled cable for M12 plug-in connector
- Display module Simple User Interface (SUI) and Large User Interface (LUI)
- Remote version with cable length up to 30 m

## Measuring Principle of the Relative Turbidity Meter

An infrared diode irradiates infrared light into the media. Particles in the media reflecting the irradiated light which is detected by the receiver diode (backscatter principle). The electronics calculates the relative turbidity of the media according to the received signal.

The relative turbidity is based on the Negele calibration standard and is displayed in "%TU".

## Communication

 **IO-Link**  **4...20 mA**

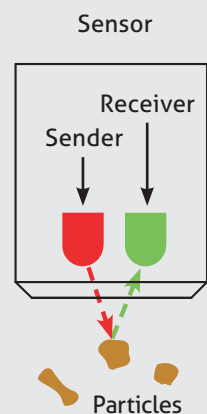
## ITM-51



## ITM-51R

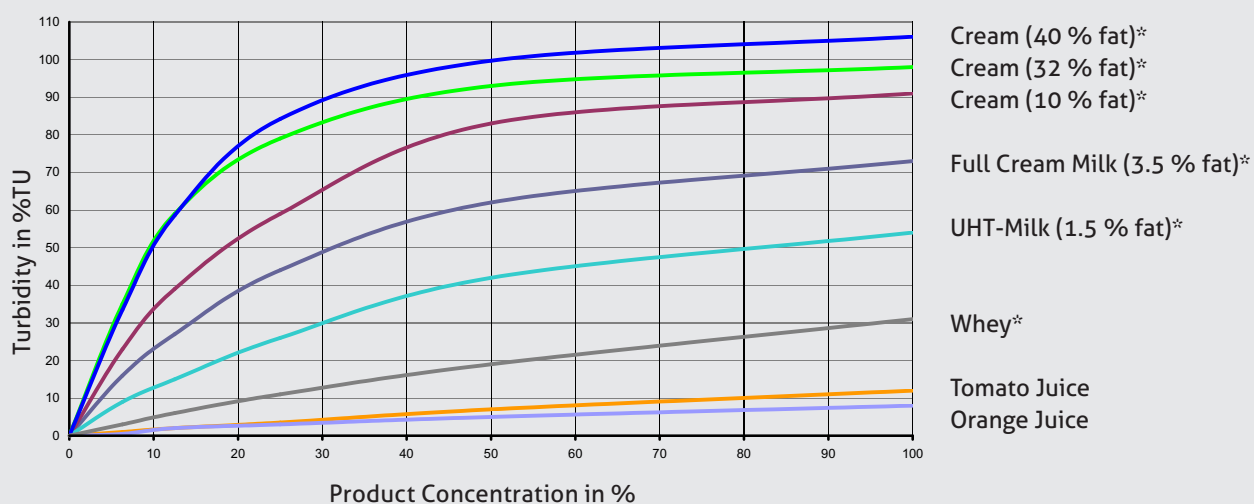


## Measurement Principle



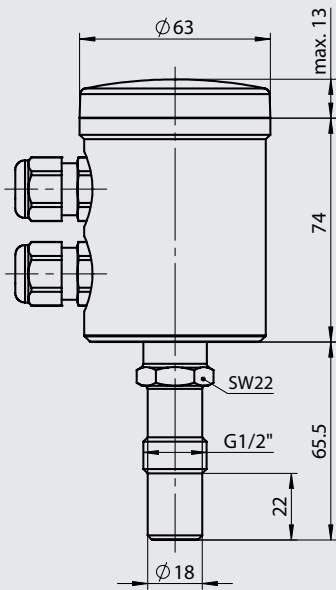
Specification			
Measurement category	can be selected	%TU, NTU, EBC, %solids (customized)	
Measurement range	freely adjustable	0...300,000 NTU equivalent 0...200 %TU 0...75,000 EBC	
Process connection		CLEANadapt G1/2" hygienic TriClamp 1.5", 2", 2.5", 3" Varivent DN 25 (type F) DN 40/50 (type N)	
Process pressure		-1...20 bar	
Tightening torque		20 Nm (CLEANadapt system)	
Materials	Connecting head Sensor Lens Plastic cover/sight glass	Stainless steel 1.4308 (AISI CF-8) Stainless steel 1.4404 (AISI 316L) Sapphire Polycarbonate	
Temperature ranges	Ambient Process CIP/SIP	-10...60 °C (14...140 °F) -10...130 °C (14...266 °F) Up to 140 °C (284 °F) max. 120 min	
Reproducibility	of turbidity	< 1% of upper range limit	
Resolution/measurement range	the resolution is dependent on the selected measurement range	range/NTU	resolution/NTU
		< 1,000	15
		1,000...10,000	30
		10,000...100,000	100
Accuracy	0...9,999 NTU 10,000...300,000 NTU	±3% from measurement value; ±50 NTU offset ±5% from measurement value	
Long-term stability	±0.2%	from measurement value	
Response time	for turbidity measurement	0.75 s	
Damping	1.5 s, 3 s, 5 s, 10 s, 20 s	adjustable damping	
Measurement principle	Infrared backscatter	wave length 860 nm	
Electrical connection	Cable gland Cable connection Supply voltage Protection class	2x M16x1.5 2x M12 connector 1.4301 (AISI 304) 18...36 V DC max. 190mA IP69K	
Communication	Analog	2x Analog output 4...20 mA, potential-free	
	Digital	1x Digital Input (24 V DC), short circuit proof IO-Link	
Weight		750 g	

### Showcase Diagram of different Media

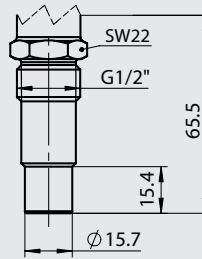


\* Average turbidity of customary milk products at different dilutions.

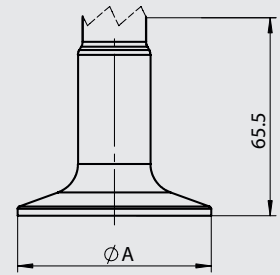
ITM-51 with vertical head orientation



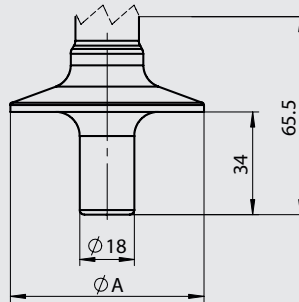
ITM-51-S0L-V-D-P



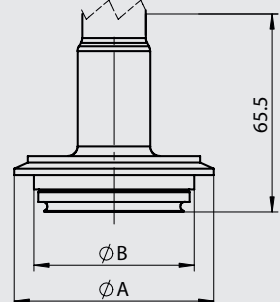
ITM-51-TCx-V-D-P



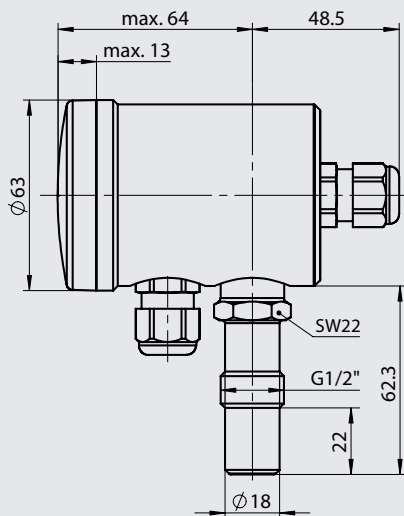
ITM-51-TLx-V-D-P



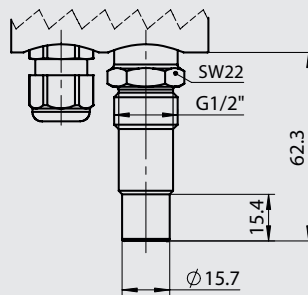
ITM-51-Vxx-V-D-P



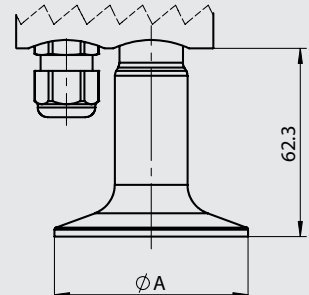
ITM-51 with horizontal head orientation



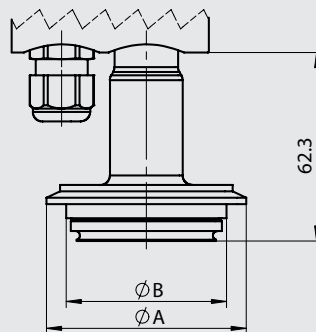
ITM-51-S0L-H-D-P



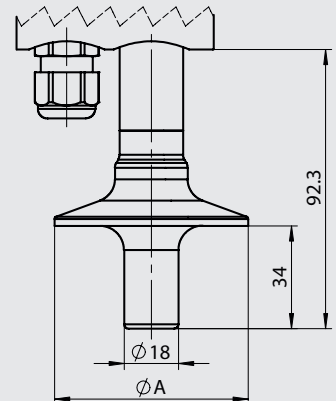
ITM-51-TCx-H-D-P



ITM-51-Vxx-H-D-P



ITM-51-TLx-H-D-P



### Calibration



The device is calibrated at the factory. A regular calibration is not necessary. The calibration can be checked by the customer using a calibration tool. A detailed description can be found in the manual.

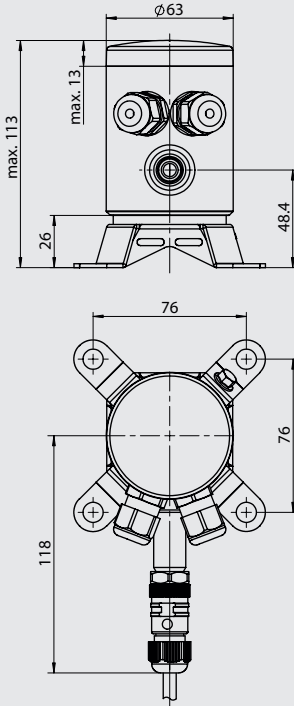
### Dimensions table Varivent

Type	Ø A [mm / inch]	Ø B [mm / inch]
V25	66.0 / 2.60	57.0 / 2.44
V40	84.0 / 3.31	75.0 / 2.95

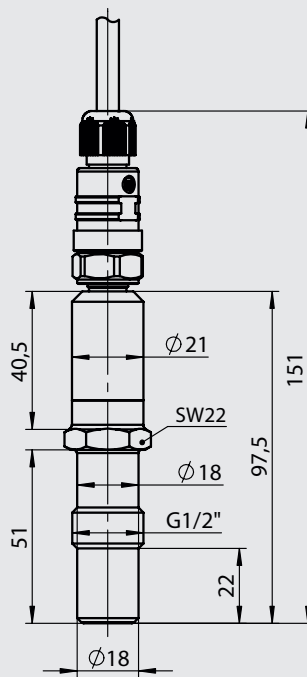
### Tri-Clamp size

Type	Ø A [mm / inch]
TC1/TL1	50.5 / 1.99
TC2/TL2	64.0 / 2.52
T25/TL5	77.5 / 3.05
TC3/TL3	91.0 / 3.58

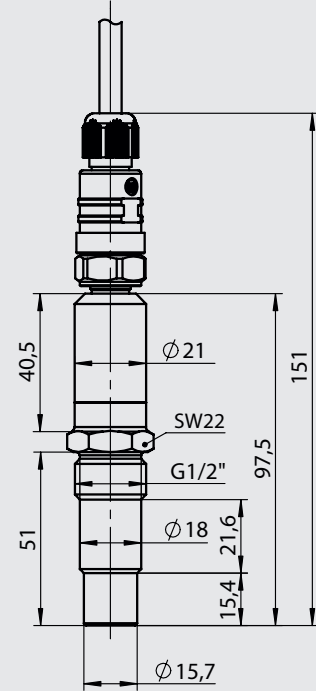
HUR / Head Unit Remote Version



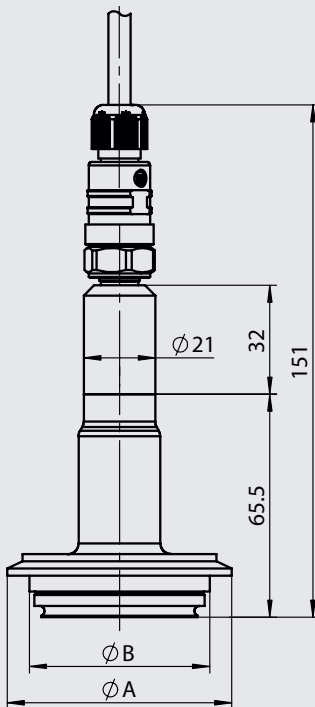
ITM-51R-S01-D-P



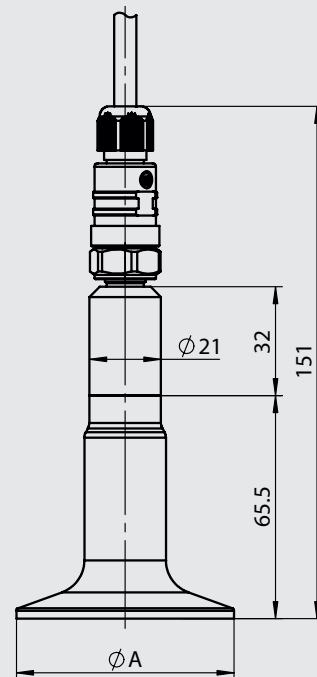
ITM-51R-S0L-D-P



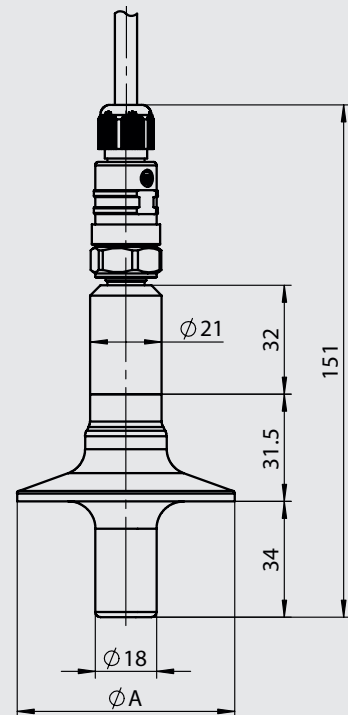
ITM-51R-Vxx-D-P



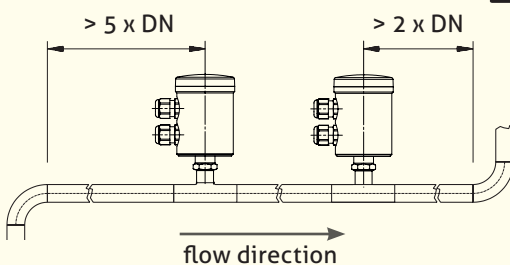
ITM-51R-TCx-D-P



ITM-51R-TLx-D-P



In- and Output Length



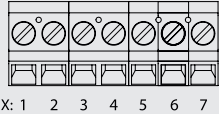
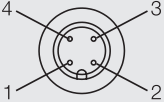
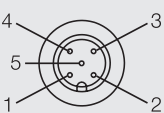
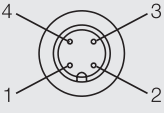
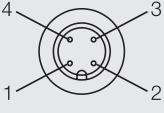
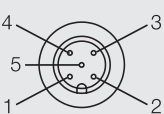
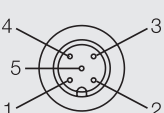
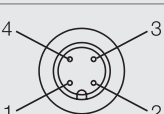
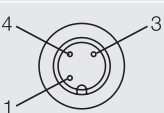
Information



The components ITM-51S/sensor and HUR/Head Unit Remote can be purchased as spare parts separately. The valid configuration can be seen on the product labels.

Application / Function	Signal module	I42	I52	I53
IO-Link communication X3		✓	✓	✓
1x 4...20 mA turbidity		✓	✓	✓
1x switch output		✗	✓	✓
1x digital input for external range switching		✗	✗	✓

Table electrical connection

Type	Connection	Pin assignment			
P (1x PG) D (2x PG)	 X: 1 2 3 4 5 6 7	Clamps 1: Power supply +24 V DC 2: Power supply - 3: Digital input X3 4: Analog output X45 + 5: Analog output X45 - 6: Relay output X67 7: Relay output X67	✓	✓	✓
A (2x M12)		4 pin 1: Analog output X45 - 2: Analog output X45 + 3: Power supply +24 V DC 4: Power supply -	✗	✓	✓
		5 pin 1: Relay output X67 2: Not assigned 3: Not assigned 4: Relay output X67 5: Digital input X3	✗	✓	✓
M (1x M12)		4 pin 1: Power supply +24 V DC 2: Analog output X45 + 3: Analog output X45 - 4: Power supply -	✓	✗	✗
N (2x M12)		4 pin 1: Analog output X45 + 2: Relay output X67 3: Relay output X67 4: Analog output X45 -	✗	✓	✓
		5 pin 1: Power supply +24 V DC 2: Not assigned 3: Not assigned 4: Power supply - 5: Digital input X3	✗	✓	✓
C (1x M12) IO-Link		5 pin 1: Power supply +24 V DC 2: Analog output X45 - 3: Power supply - 4: IO-Link 5: Analog output X45 +	✓	✗	✗
R (2x M12) IO-Link		4 pin 1: Analog output X45 + 2: Relay output X67 3: Relay output X67 4: Analog output X45 -	✗	✓	✓
		3 pin 1: Power supply +24 V DC 3: Power supply - 4: IO-Link / Digital input X3	✗	✓	✓

## Order code

**ITM-51** relative turbidity meter  
**ITM-51R** relative turbidity meter, remote version, remote cable must be ordered separately

**Process connection** (Ⓐ: 3-A approval, Ⓔ: EHEDG approval)

**S0L** CLEANadapt G1/2", extended sensor stem  
**S01** CLEANadapt G1/2"  
**TC1** Tri-Clamp 1½" Ⓐ Ⓔ  
**TC2** Tri-Clamp 2" Ⓐ Ⓔ  
**T25** Tri-Clamp 2½" Ⓐ Ⓔ  
**TC3** Tri-Clamp 3" Ⓐ Ⓔ  
**TL1** Tri-Clamp 1½", extended sensor stem Ⓐ Ⓔ  
**TL2** Tri-Clamp 2", extended sensor stem Ⓐ Ⓔ  
**TL5** Tri-Clamp 2½", extended sensor stem Ⓐ Ⓔ  
**TL3** Tri-Clamp 3", extended sensor stem Ⓐ Ⓔ  
**V25** Varivent type F, DN 25 Ⓔ  
**V40** Varivent type N, DN 40/50 Ⓔ

**Enclosure orientation** (not selectable for ITM-51R)

**H** horizontal  
**V** vertical

**Signal module**

**I42** IO-Link and 1x 4...20 mA turbidity  
**I52** IO-Link and 1x 4...20 mA turbidity, 1x switching out  
**I53** IO-Link and 1x 4...20 mA turbidity, 1x switching out, external range switching

**Electrical connection**

**P** cable gland M16x1.5  
**D** 2x cable gland M16x1.5  
**M** 1x M12 connector, 4 pin output/power supply  
**N** 2x M12 connector, 4 pin output, 5 pin input/power supply  
**A** 2x M12 connector, 4 pin output/power supply, 5 pin output/input  
**C** 1x M12 connector, 5 pin analog output and IO-Link  
**R** 2x M12 connector, 4 pin analog and switching output, 3 pin IO-Link and input

**Interface/Display**

**X** without Interface  
**S** Simple User Interface with small display  
**L** Large User Interface with display

**Enclosure**

**X** opaque plastic cap  
**P** clear plastic cap  
**M** without control window  
**W** with control window

**Configuration**

**X** factory setting  
**S** special customer setting

ITM-51 / S01 / V / I53 / D / L / P / X

ITM-51R / S01 / I42 / D / L / P / X

**Remote cable for remote version****M12-PVC / 8-PBT-xx m**

PVC-cable, M12 plug/coupling made of PBT plastic, 8 pin, IP69K,  
 Lengths: 5/10/15/25 m, special lengths on request

**M12-PVC / 8-SS-xx m**

PVC-cable, M12 plug/coupling made of stainless steel, 8 pin, IP69K,  
 Lengths: 5/10/15/25 m, special lengths on request