



KETTLES by LEE



PROCESS SYSTEMS & EQUIPMENT

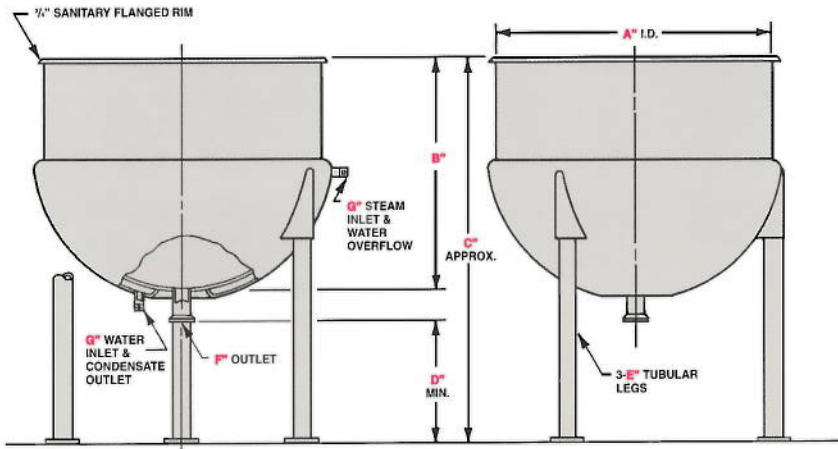
LEE QUALITY KETTLES

For Over Three-Quarters of a Century . . .

Lee stainless steel hemispherical-bottom kettles are designed to meet all processing requirements. They are built to ASME specifications in various jacket styles and pressure ranges, and are available with a wide range of accessories. Kettles may also be modified or specially built to customer specifications.



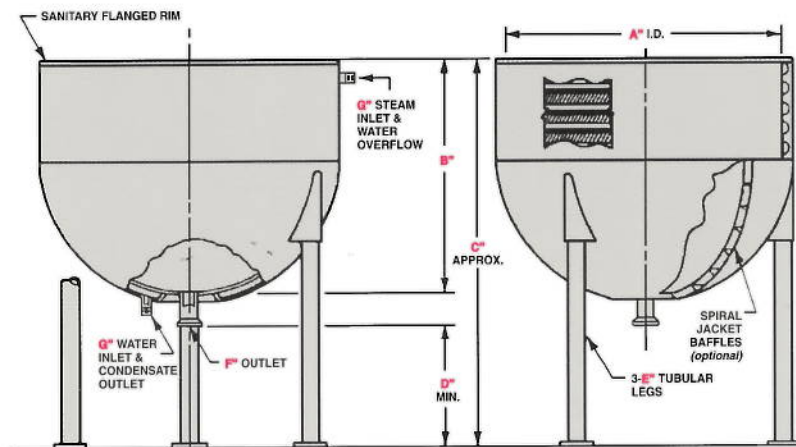
The Style D super-jacket permits both heating with steam and cooling with water. The "D" jacket has a large annular space, thus offering fast heating and cooling cycles. As a result, this style has proven most popular in a wide variety of processing applications.



STYLE D
SUPER JACKET
STATIONARY
WITH UNIFLOW
COIL JACKET

CAPACITY		5	10	15	20	25	30	40	50	60	75	80
DIMENSIONS	A	16 ³ / ₄	17 ⁵ / ₈	18 ³ / ₄	22	23	23	25 ¹ / ₂	29 ¹ / ₂	32	32	36
	B	10	14	16 ¹ / ₂	17	20 ¹ / ₄	22	23 ¹ / ₂	23	24	27 ¹ / ₂	25
	C	26 ¹ / ₈	30 ¹ / ₈	32 ³ / ₈	33 ¹ / ₈	36 ³ / ₈	38 ¹ / ₈	39 ³ / ₈	39 ¹ / ₈	40 ¹ / ₈	43 ⁵ / ₈	41 ¹ / ₈
	D	15	15	15	15	15	15	15	15	15	15	15
	E	1 ¹ / ₂	1 ¹ / ₂	1 ¹ / ₂	1 ¹ / ₂	1 ¹ / ₂	1 ¹ / ₂	1 ¹ / ₂	1 ¹ / ₂	1 ¹ / ₂	1 ¹ / ₂	2
	F	1 ¹ / ₂	1 ¹ / ₂	1 ¹ / ₂	1 ¹ / ₂	1 ¹ / ₂	1 ¹ / ₂	1 ¹ / ₂	1 ¹ / ₂	1 ¹ / ₂	1 ¹ / ₂	2
	G	3/4	3/4	3/4	3/4	3/4	3/4	3/4	3/4	3/4	3/4	1

CAPACITY		100	125	150	200	250	300	400	500	600	750	1000
DIMENSIONS	A	36	38	42	48	52	54	58	62	66	68	72
	B	30	34	34 ¹ / ₂	36	39	42	47	51	54	62	72
	C	46 ¹ / ₈	50 ¹ / ₈	50 ³ / ₈	52 ¹ / ₈	55 ¹ / ₈	58 ¹ / ₈	63 ¹ / ₈	67 ¹ / ₈	70 ¹ / ₈	78 ¹ / ₈	88 ¹ / ₈
	D	15	15	15	15	15	15	15	15	15	15	15
	E	2	2	3	3	3	3	3	3	3	3	3
	F	2	2	2	2	2	2	2	2	3	3	3
	G	1	1	1 ¹ / ₂	1 ¹ / ₂	1 ¹ / ₂	1 ¹ / ₂	1 ¹ / ₂	1 ¹ / ₂	2	2	2



Lee's auxiliary Uniflow pressure jacket consists of a continuous coil which is automatically formed and welded to the vessel straight-side, creating an exceptionally strong metal bond. Isolated hot or cold spots are eliminated with Lee's Uniflow coil jacket due to its unique coil pattern, which provides uniform thermal flow. Optional spiral jacket baffles on the hemisphere provide directional flow of liquid heating or cooling medium.

STANDARD FEATURES

All Styles: Traditional high-polished sanitary finish, sanitary flanged rims and all stainless product contact parts.

Outlet: Exclusive Lee bottom outlet design permits a shorter outlet fitting. Sanitary Acme threaded or Tri-Clamp ferrule provided on stationary kettles.

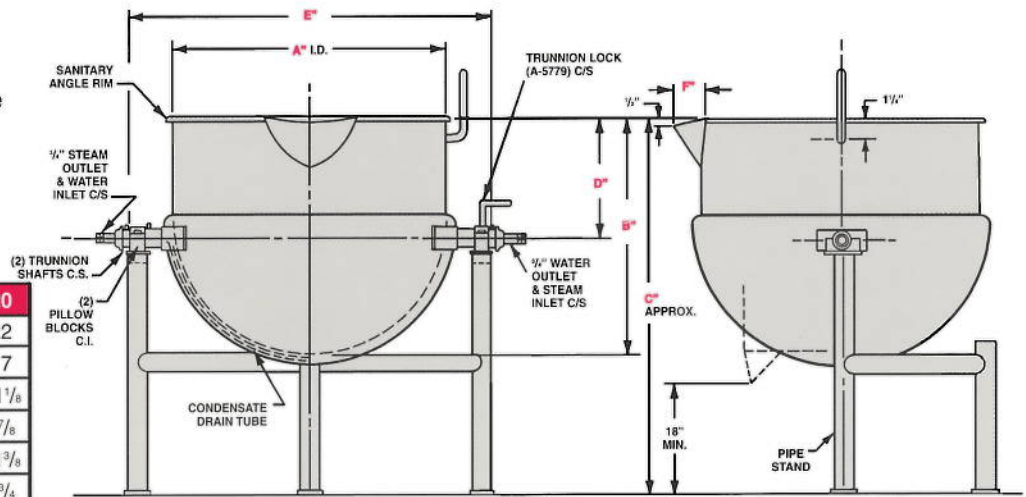
Support: Stainless steel pipe legs with fixed floor flanges on stationary and tilting kettles.

Trunnion Style: Free-pouring spout, tilt handle on CD style, and hydraulic tilting on style CHD.

STYLE CD

**SUPER JACKET
TRUNNION
MOUNTED WITH
MANUAL TILT**

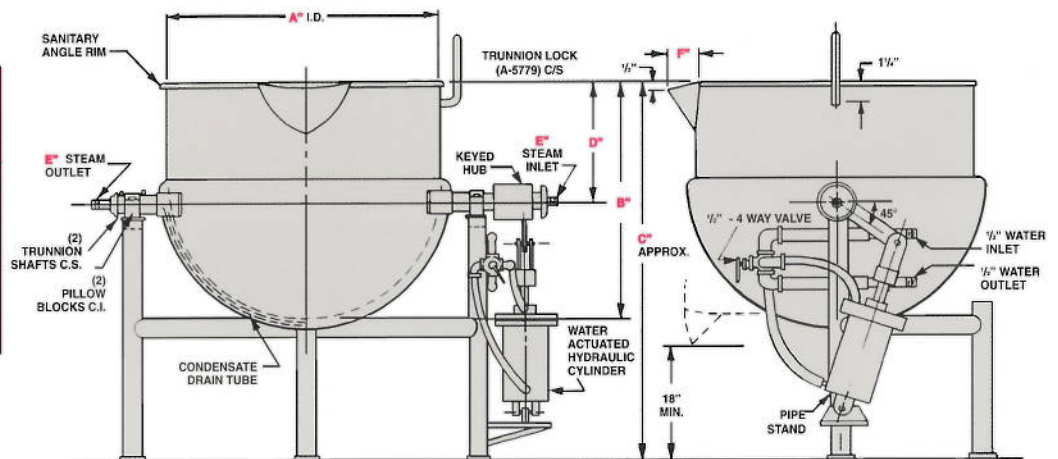
This CD style has a jacket as described but is trunnion-mounted and has a pouring lip for tilt-pouring. An outlet or valve may be added to the bottom for drainage or emptying. The positive latching meets Federal safety standards.



CAPACITY		5	10	15	20
DIMENSIONS	A	16 ³ / ₄	17 ⁵ / ₈	18 ³ / ₄	22
	B	10	14	16 ¹ / ₂	17
	C	32 ³ / ₄	37	39 ¹ / ₂	41 ¹ / ₈
	D	4 ⁵ / ₈	8 ⁷ / ₁₆	10 ⁵ / ₈	9 ⁷ / ₈
	E	26 ¹ / ₈	27	28 ¹ / ₈	31 ³ / ₈
	F	2 ¹ / ₄	2 ¹ / ₂	2 ¹ / ₂	2 ³ / ₄

STYLE CHD

**SUPER JACKET
TRUNNION MOUNTED
WITH HYDRAULIC
CYLINDER.**



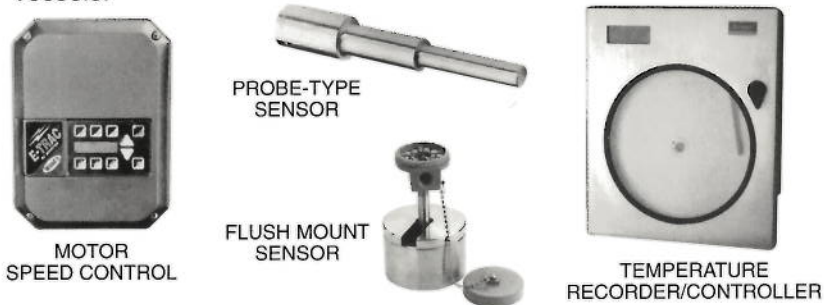
Identical to the manual tilt models, Lee can provide hydraulically tilted trunnion kettles in capacities ranging from 25 through 1,000 gallons.

CAPACITY		25	30	40	50	60	75	80	100	125	150	200	250	300	
DIMENSIONS	A	23	23	25 ¹ / ₂	29 ¹ / ₂	32	32	36	36	38	42	48	52	54	
	B	20 ¹ / ₄	22	23 ¹ / ₂	23	24	27 ¹ / ₂	25	30	34	34 ¹ / ₂	36	39	42	
	C	44	46	47 ¹ / ₂	48	49 ¹ / ₂	53	50 ¹ / ₂	55 ¹ / ₂	60	61 ¹ / ₂	64	67	70	
	D	12 ¹ / ₂	14	14 ¹ / ₄	12 ³ / ₄	12 ¹ / ₂	16	11 ¹ / ₂	16 ¹ / ₂	19 ¹ / ₂	19	17 ¹ / ₂	18 ¹ / ₂	20 ¹ / ₂	
	E	3 ¹ / ₄	3 ¹ / ₄	3 ¹ / ₄	3 ¹ / ₄	3 ¹ / ₄	3 ¹ / ₄	3 ¹ / ₄	3 ¹ / ₄	3 ¹ / ₄	3 ¹ / ₄	1	1	1	1
	F	2 ³ / ₄	3	3	3	3 ¹ / ₂	3 ¹ / ₂	3 ¹ / ₂	3 ¹ / ₂	3 ¹ / ₂	4	4	5	5	5

OPTIONAL AND ACCESSORY EQUIPMENT

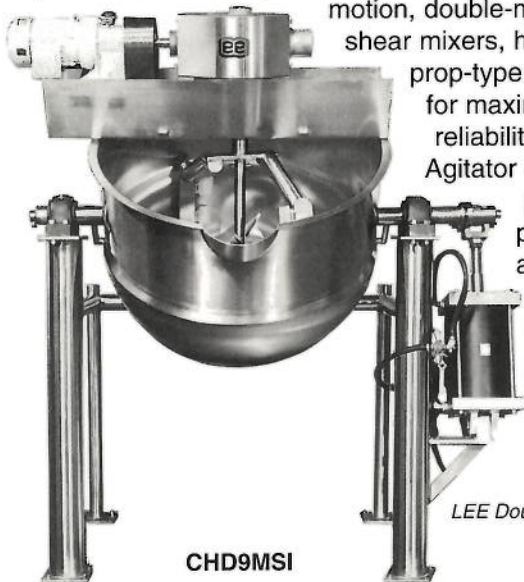
Instrumentation

A wide variety of temperature sensing control and recording instruments is available. Probe type sensors can be used in open kettles; but where scraper blade agitators are installed, it is recommended that a stainless steel flush mounted sensor be used. With today's processing techniques becoming ever more critical, temperature sensing or control instruments are desirable for heat transfer vessels.



Agitators

Lee heavy-duty agitation systems are designed to mix all types of products, thoroughly and efficiently. Standard styles, including single motion, double-motion, triple-motion high-shear mixers, horizontal blenders and prop-type mixers are engineered for maximum performance and reliability in all Lee vessels.

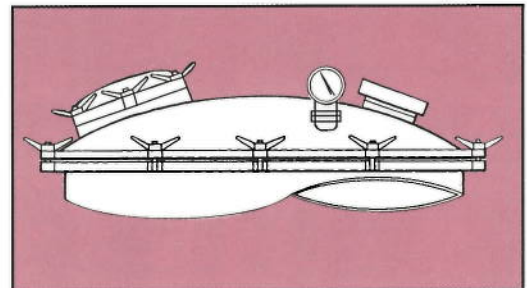
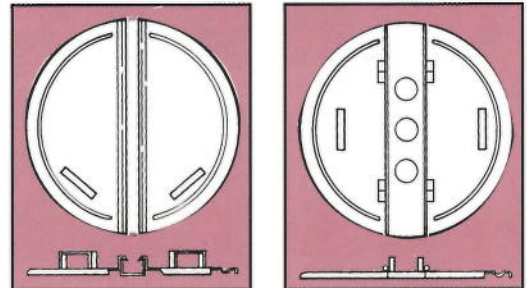
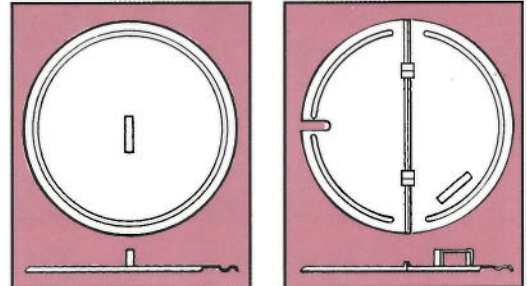


Agitator options include stationary, portable, tilting, vacuum/pressure installation, and an inclined design which provides a combination of blending and folding along with thorough mixing for even high viscosity products!

LEE Double-Motion Inclined Trunnion Kettle

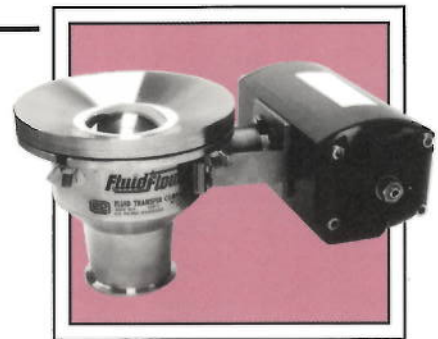
Covers

Various styles of sanitary covers are offered for all types of Lee vessels. Two- or three-piece covers can be either lift-off or hinged. Any cover can be furnished with special fittings or openings. All Lee vessels can be designed to include a vacuum/pressure style cover.



Flush-Type Sanitary Outlet Valves

This exclusive Lee ball valve with sanitary features is a flush type design which assures complete product processing and discharge. CIP features and heating/cooling jackets are offered for special applications. Various actuator options and controls are also available for automation. Both flush-type and in-line ball valves meet 3A specifications and are USDA approved. Contact LEE Fluid Transfer Division for additional information.



Automatic Flush-Type Ball Valve



LEE INDUSTRIES, INC.
 Process Systems & Equipment Division
 P.O. Box 687
 Phillipsburg, PA 16866
 FAX: (814) 342-5660 • Phone: (814) 342-0470
 www.LEEind.com