



www.Rodem.com | (800) 543-7312

# M-144TG

## Steam & Cold Water Mixing Unit

Attain instantly hot water when and where you need it most.

The **M-144TG** produces hot water instantly from a steady supply of steam and cold water. Unit is equipped with a dial-type gauge that indicates the wash water's exact temperature in both Celsius and Fahrenheit, and a specially designed internal blending chamber that efficiently blends steam and cold water. User can easily regulate water temperature by turning the steam and cold water valves. As an added safety measure, unit features an automatic steam shut-off source if the cold water supply falls below 50 psi for any reason. This prevents hazardous steam from exiting the unit and causing steam burns.

**M-144TG** unit is a wall mounted, globe valve top entry; material is bronze and equipped with a stainless steel hose rack; our patent pending Direct Diffuse® Steam Trap comes standard with the unit. Hose and spray nozzle are sold separately.

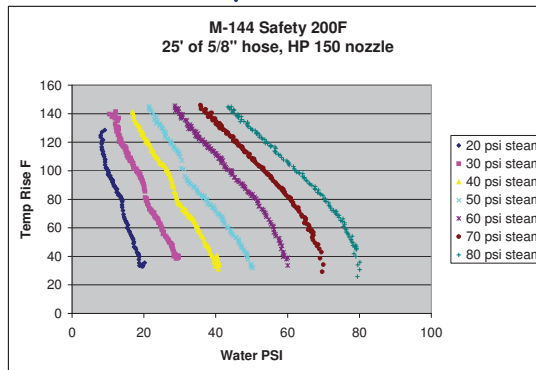
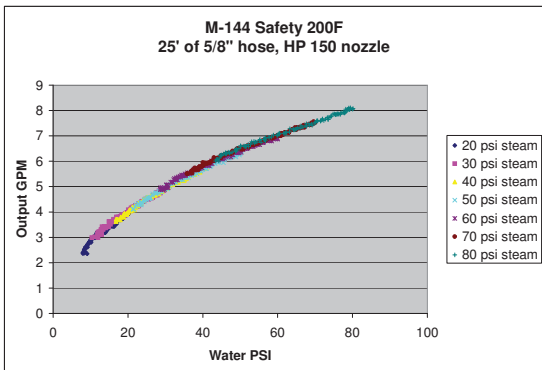
Strahman mixing stations are the preferred choice by industry professionals around the globe for their exceptional durability and low maintenance, reliability in accuracy of temperature readings and function, they are economical, and they can easily be mounted anywhere in a facility where steam/water lines exist and effective clean-up is required.

**Unit is sold with our Direct Diffuse® Steam Trap that quickly and efficiently discharges condensate in your steam line and reduces system failure.**

NOTE: A strainer and steam trap is recommended to be used in conjunction with all our steam mixing units. Foreign deposits in supply lines can effect ball check durability. Proper steam and water treatment is recommended to ensure proper performance and durability. Unit should be shut-off when not in use for extended periods of time.



Direct Diffuse® Steam Trap shown here is installed vertically, and can also be installed horizontally; in both cases, the thermodynamic trap (THT) must be level in the horizontal plane.

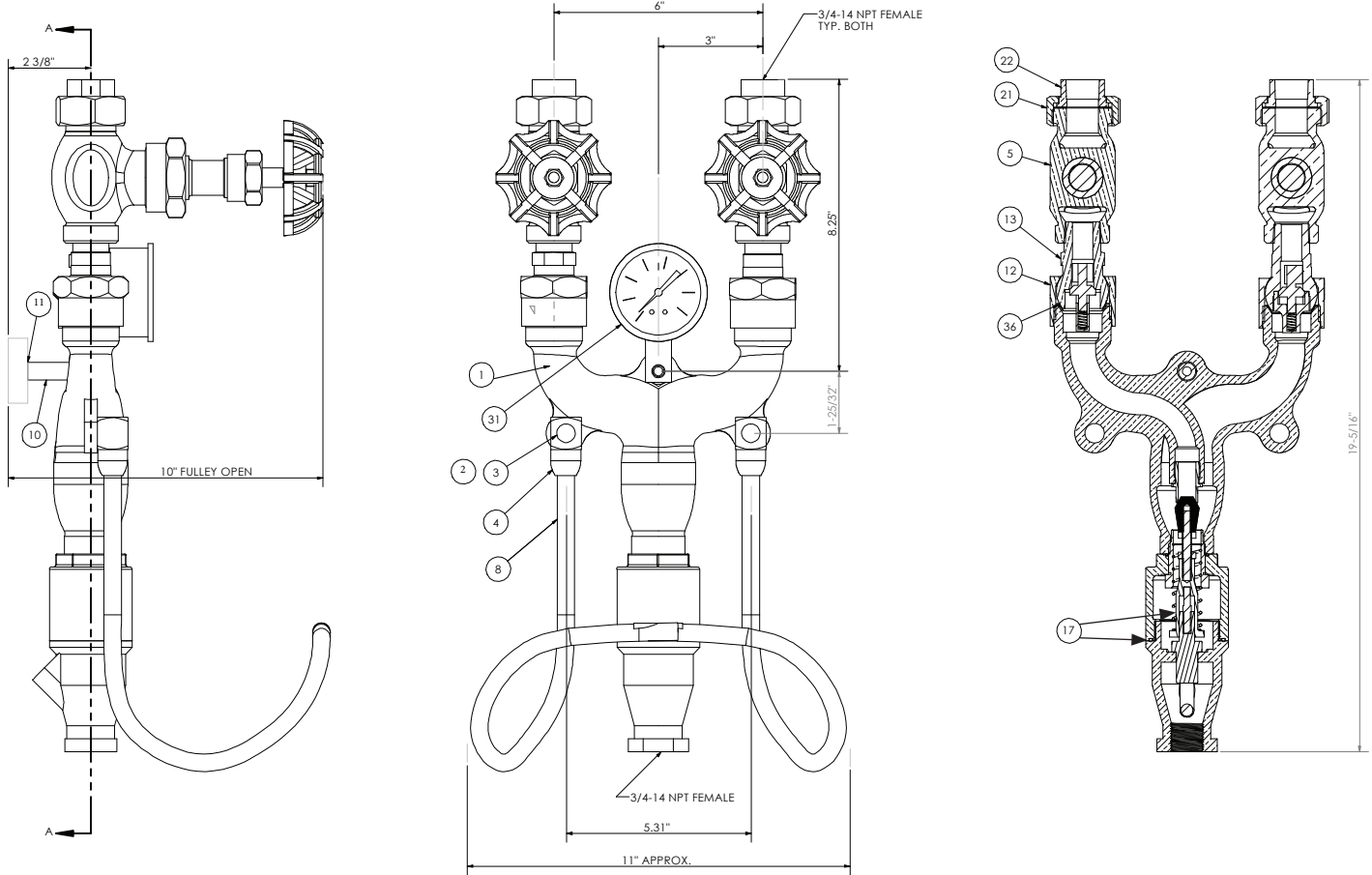


Maximum water temperature: 200°F (93°C)

Optimum working pressure range:  
20 psi/1.4 bar — 80psi/5.5 bar  
(not to exceed 150 psi)



# M144TG SERIES



PARTS					
ITEM NO.	PART	ORDER NO. (MATERIAL)	ITEM NO.	PART	ORDER NO. (MATERIAL)
1	MAIN BODY	M144BDFB (ASTM CA836)	11	WALL PLATE (OPTIONAL)	MUWPLTBR (BRASS B16, CA360)
2	HOSE RACK CAP SCREW (NOT SHOWN) (SET OF 6)	HH00501302000Z (SST304, ASTM A276)	12	BALL CHECK UNION NUT	BCNUTBR (BRASS ASTM B16 C36000)
3	HOSE RACK LOCK WASHER (NOT SHOWN) (SET OF 6)	WAT0050 (SST410)	13	BALL CHECK VALVES (INCLUDES PART 36) COMPLETE	BCBRG (BRASS ASTM B16, C36000, SST303, ASTM A582)
4	HOSE RACK CONNECTOR	HRCNBR (SST304)	17	THERMOSTAT ASSEMBLY WITH O-RING	M144THSTASSY2 (SST302)
5	GLOBE VALVE BLACK V-14U	GVBLACKV14UBR (BRASS ASTM B16, C36000, SST303, ASTM A58)	21	UNION TALE PIECE	GVUTAILBR (BRASS B16)
5	GLOBE VALVE RED V-14U	GVREDV14UBR (BRASS ASTM B16, C36000, SST303, ASTM A58)	22	UNION INLET NUT	GVUNUTBR (BRASS B16)
8	HOSE RACK WITH FITTINGS	HRCOMPLETE0000 (SST304, ASTM A276)	31*	TEMP GAUGE	TGGF02 (BRASS B283, CA37700)
10	HEX SPACER	MUSPAC (SST416, ASTM A582)	36	BALL CHECK GASKET	BCGAC (COPPER)

\*TEMPERATURE GAUGE: 100-250°F (40-120°C)

WDEM144TG051820

STRAHMANVALVES.COM



## WORLD HEADQUARTERS

STRAHMAN VALVES, INC.  
2801 BAGLYOS CIRCLE, BETHLEHEM, PA 18020  
P: +1 484.893.5080 F: +1 484.893.5099  
E: STRAHMAN@STRAHMAN.COM

## FRANCE

STRAHMAN VALVES, INC.  
Savoie Hexapole  
F-73420 Mery, France  
P: +33 4 793 578 00  
F: +33 4 793 578 20  
E: salesfr@strahman.com

## GERMANY

STRAHMAN VALVES, INC.  
Allergheiligenstr.69  
D-77855 Achern, Germany  
P: +49 7841 6846530  
F: +49 7841 6846531  
E: emrazek@strahman.com

## CHINA

STRAHMAN VALVES, INC.  
W.B. 2218 Hunan Road  
Pudong New District  
Shanghai, 201615, China  
P/F: +86 21 5013 3266  
C: +86 189 1751 7369  
E: robin.sun@strahman.com  
E: pmj@strahmanvalves.com.cn

## HONG KONG

STRAHMAN VALVES LIMITED  
Flat/Rm 904 Tai Tung Building  
8 Fleming Road  
Wanchai, Hong Kong  
P/F: +852 251 90799  
C: +86 189 1751 7369  
E: robin.sun@strahman.com  
E: pmj@strahmanvalves.com.cn