



Alfa Laval Accessories - Pressure Relief Valve

Sampling valves

Introduction

The Alfa Laval Pressure Relief Valve is a hygienic sampling accessory for overpressure protection when using the Alfa Laval Unique Sampling Valve. It controls steam pressure and temperature during sterilization of the valve. This safeguards your sampling valve and process lines against overpressure.

Application

This pressure relief valve for steam sterilization is designed for use during steam sterilization of the Unique Sampling Valve before and after taking representative samples from hygienic process lines across the food, beverage, personal care, pharmaceutical and many other industries.

Benefits

- Cost-effective, hygienic design
- Overpressure protection during Sterilization-in-Place
- Quick, thorough and safe steam sterilization
- Easy to clean

Standard design

This spring-loaded pressure relief valve for the Alfa Laval Unique Sampling Valve consists of a valve body, membrane seal, stem, spring, nozzle and handle. Constructed of insulating material for ease of handling during steam sterilization, it is positioned on the outlet of the sampling valve during Sterilization-in-Place.

Working principle

The Alfa Laval Pressure Relief Valve maintains the correct pressure and temperature during Sterilization-in-Place before and after taking representative samples. When using the pressure relief valve, sterilization typically takes place within two minutes using clean steam. The pressure relief valve is pre-set to a pressure of 2 bar, ensuring a temperature of 121°C, the recommended temperature for sterilization. Before taking a sample, pull the quick release handle to ensure that no steam pressure is present in the sampling valve, thereby ensuring operator safety.



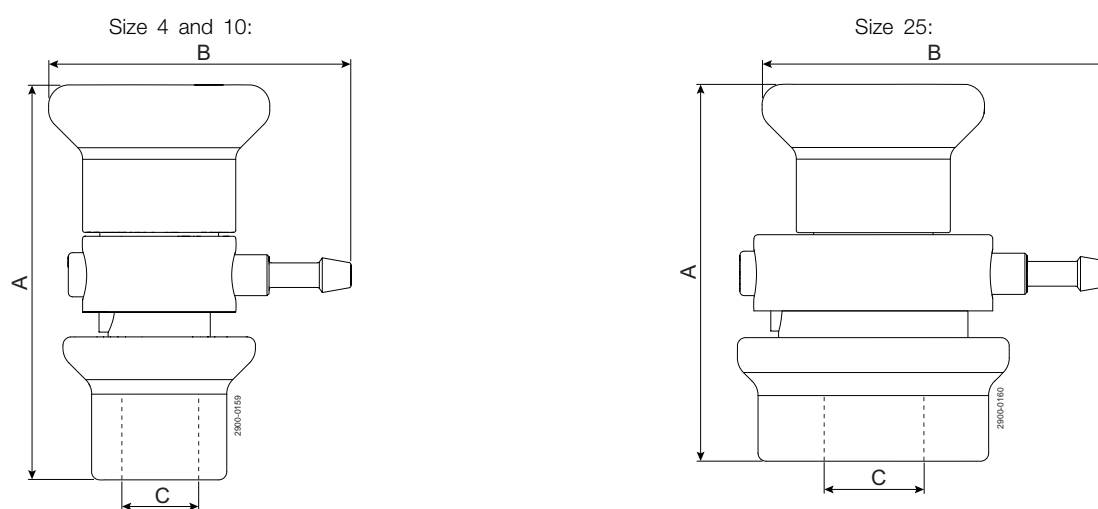
TECHNICAL DATA

Temperature	
Temperature range:	1°C - 130°C
Max. sterilisation temperature, dry steam:	130°C
Pressure	
Max. working pressure:	600 kPa (6 bar)
Min. working pressure:	0 kPa (0 bar)

PHYSICAL DATA

Materials	
Steel parts:	1.4301 (304)
Other parts:	PA 6.6 30% GF
Membrane seal:	EPDM

Dimensions (mm)



Size 4 and 10:			Size 25:		
A	B	C	A	B	C
96.5	70.7	14	91.5	90.3	30

Alfa Laval reserves the right to change specifications without prior notification.

How to contact Alfa Laval

Contact details for all countries are continually updated on our website. Please visit www.alfalaval.com to access the information direct.