



www.Rodem.com | (800) 543-7312

Alfa Laval IM 20 Rotary Jet Mixer

Superior mixing – Liquid, Gas and Powder

The patented IM 20 Rotary Jet Mixer (RJM) does not only mix fast, efficient and uniform but creates also the necessary process flexibility that makes it easy to switch to new product formulations with diverse viscosities, densities and volumes. Besides classic liquid to liquid mixing the RJM is excellent for gas and powder dispersion plus a superb tank cleaning machine.

Applications

Operation

Secure that the mixer is positioned in the correct level and submerged into the liquid before round pumping or when adding any additional products from any up-stream pipe works.



TECHNICAL DATA

Lubricant: Self-lubricating with the mixing/cleaning fluid
Connection: Standard thread 2" BSP or NPT, female
Min. tank opening: See dimension drawings

Pressure



PHYSICAL DATA

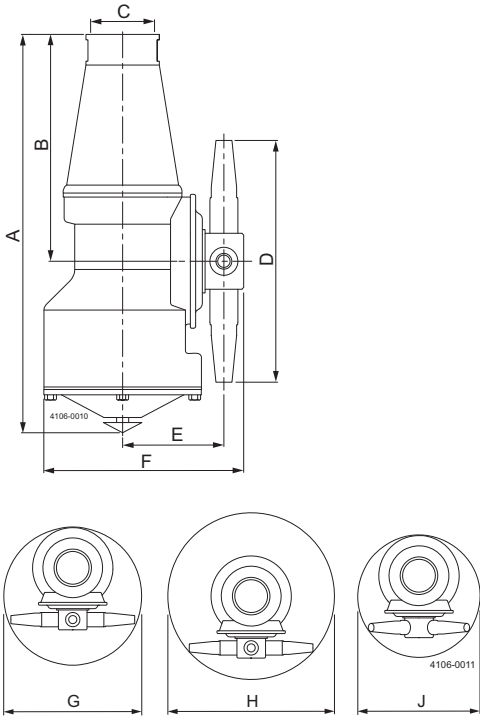
Materials

Materials: AISI 316L, AISI 316, SAF 2205, PEEK, PVDF, Tefzel, Ceramics

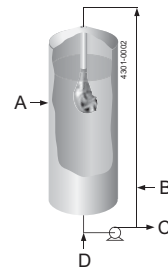
Temperature

Benefits

Using the IM 20 Rotary Jet Mixer makes it possible, at a modest investment, to perform fast and efficient mixing in a hygienic system. In traditional systems, using propeller mixers, a rotating shaft penetrates the tank wall, and a mechanical seal and a gear box are installed. With the Rotary Jet Mixer technology the shaft, seal and gearbox are eliminated, and a more hygienic design is obtained. With the Rotary Jet Mixing technology good mixing is achieved without the use of baffles. The Rotary Jet Mixer can also be used for gas dispersion and for dispersion and dissolving of powder. The IM 20 can furthermore be used for efficient CIP when the tank is empty, saving liquid, chemicals and energy compared to a fixed spray ball CIP system.



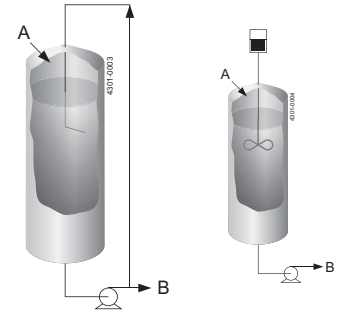
**The Rotary Jet
Mixing technology**



A = Rotary Jet Mixer
 B = Gas
 C = Product
 D = Liquid feed

**Traditional
Mixing technology**

Round pumping Propeller mixing



A = Liquid feed
 B = Product

Alfa Laval reserves the right to change specifications without prior notification.

How to contact Alfa Laval
 Contact details for all countries are continually updated on our website. Please visit www.alfalaval.us to access the information direct.