



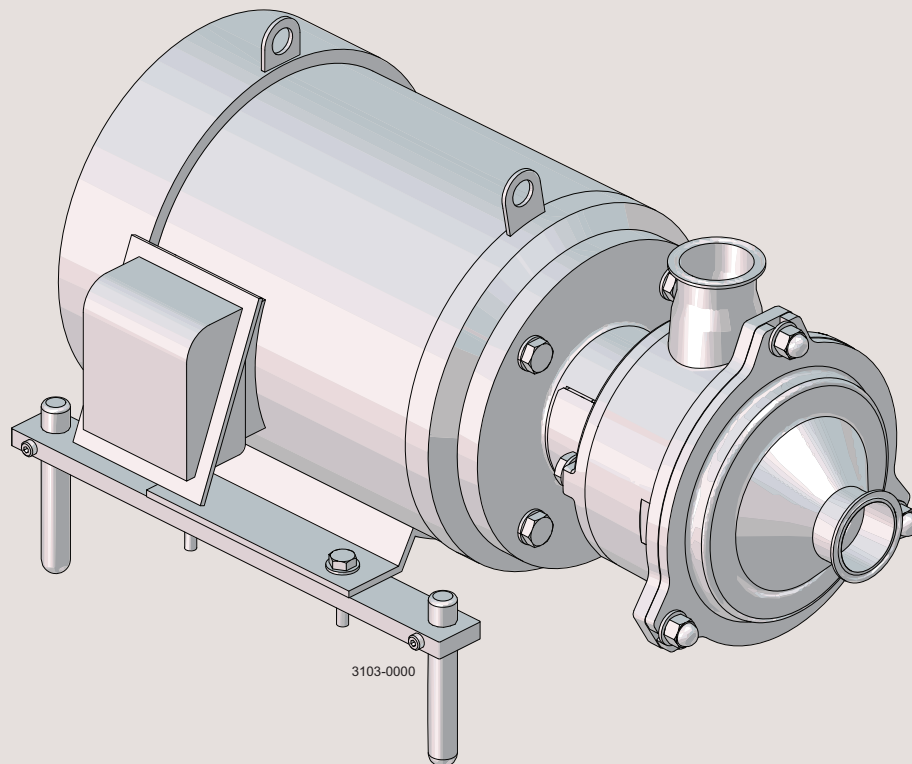
RODEM[®]

SMART SANITARY PROCESSES

www.Rodem.com | (800) 543-7312

Spare Parts

MR-166US, -185US, -200US Liquid-ring pump



Not manufactured anymore

ESE00675-ENUS4 2018-08

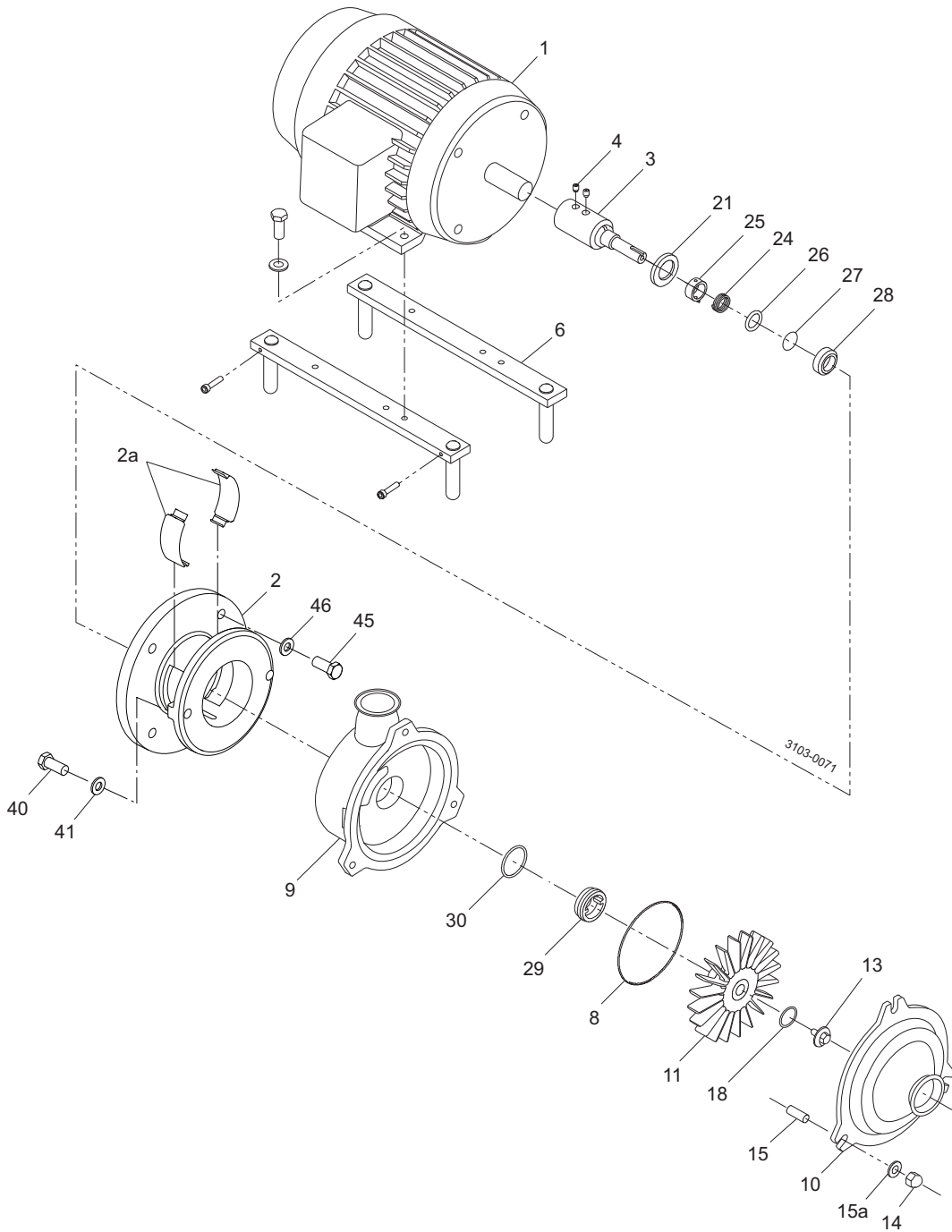
Original manual

Table of contents

The information herein is correct at the time of issue but may be subject to change without prior notice

1. MR-166US Liquid-ring pump	4
2. MR-185US and -200US Liquid-ring pump	8

Not manufactured anymore



MR-166US Liquid-ring pump

Surface roughness, product wetted parts: Ra ≤ 32 μ inch

Pos	Qty	Denomination	MR-166
1	1	Motor 3 Hp	9613601602
2	1	Bracket	9613857001
2a	2	Bracket cover	9612926803
3	1	Shaft	9613421501
4	2	Screw	9612587501
6	1	Bracket set stainless steel	481661
	1	Bracket set carbon steel (standard)	481658
8 ▲	1	O-ring, EPDM (standard)	9611994669
	1	O-ring, FPM	9611994671
9	1	Pump casing, Tri-clamp	9613424001
		Pump casing, BS-male	9613424005
10	1	Casing cover, Tri-clamp	9613424101
		Casing cover, BS-male	9613424107
11	1	Impeller	9613421803
13	1	Impeller screw	9612362705
14	3	Cap nut	22185115
15	3	Stud bolt	9611992408
15a	3	Washer	9611994417
18 ▲	1	O-ring for impellerscrew, EPDM (standard)	9611994701
		O-ring for impellerscrew FPM	9611994703
21	1	Thrower	3145200041
40	2	Screw	9611994414
41	2	Spring washer	9611994417
45	4	Screw	9611994412
46	4	Washer	9611994417

Accessories (delivered with every new pump)

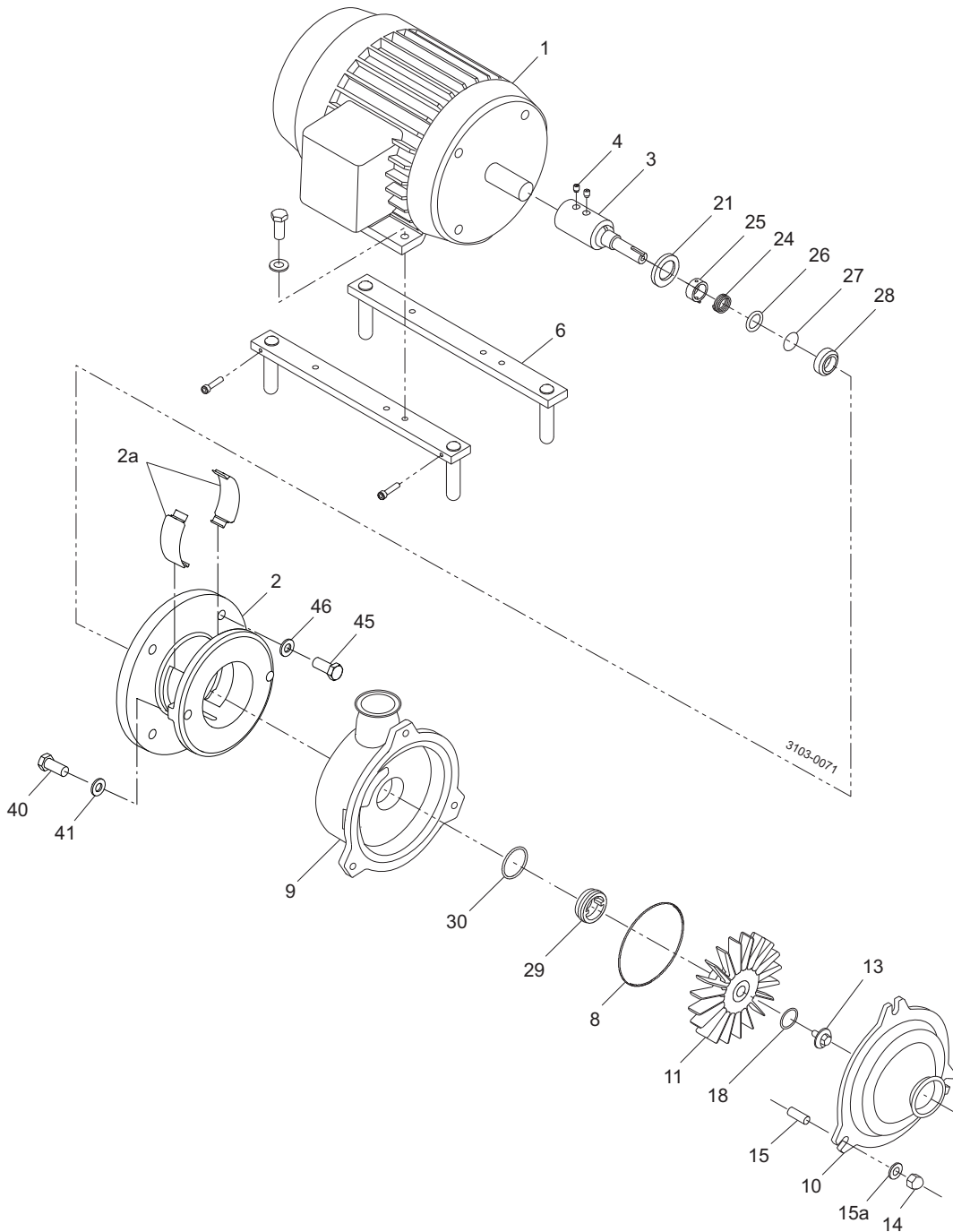
1	Spanner for stationary seal ring	3143803351
---	--	------------

Pos	Qty	Denomination	EPDM C/SS (standard)
▲		Shaft seal, complete	9613423801
24	1	Spring	
25	1	Spacer ring	
26	1	Washer	
27	1	O-ring	
28	1	Rotating seal ring	
29	1	Stationary seal ring	
30	1	O-ring	

Pos	Qty	Denomination	C/SS NBR
▲		Shaft seal, complete	
24	1	Spring	
25	1	Spacer ring	
26	1	Washer	
27	1	O-ring	
28	1	Rotating seal ring	
29	1	Stationary seal ring	
30	1	O-ring	

Pos	Qty	Denomination	C/SS FPM
▲		Shaft seal, complete	9613423803
24	1	Spring	
25	1	Spacer ring	
26	1	Washer	
27	1	O-ring	
28	1	Rotating seal ring	
29	1	Stationary seal ring	
30	1	O-ring	

Not manufactured anymore



MR-166US Liquid-ring pump

Pos	Qty	Denomination	
Surface roughness, product wetted parts: Ra ≤ 20 μ inch			
9	1	Pump casing, Tri-clamp	9613424003
		Pump casing, BS-male	9613424007
10	1	Casing cover, Tri-clamp	9613424104
		Casing cover, BS-male	9613424110
11	1	Impeller	9613421802
13	1	Impeller screw	9612362706
			C/SS
▲		Service kit, EPDM	9611921946
▲		Service kit, FPM	9611921948

Parts marked with ▲ are included in the Service kits.

Recommended spare parts: Service kits.

(900330/7)

MR-185US and -200US Liquid-ring pump

Surface roughness, product wetted parts: Ra ≤ 32 μ inch

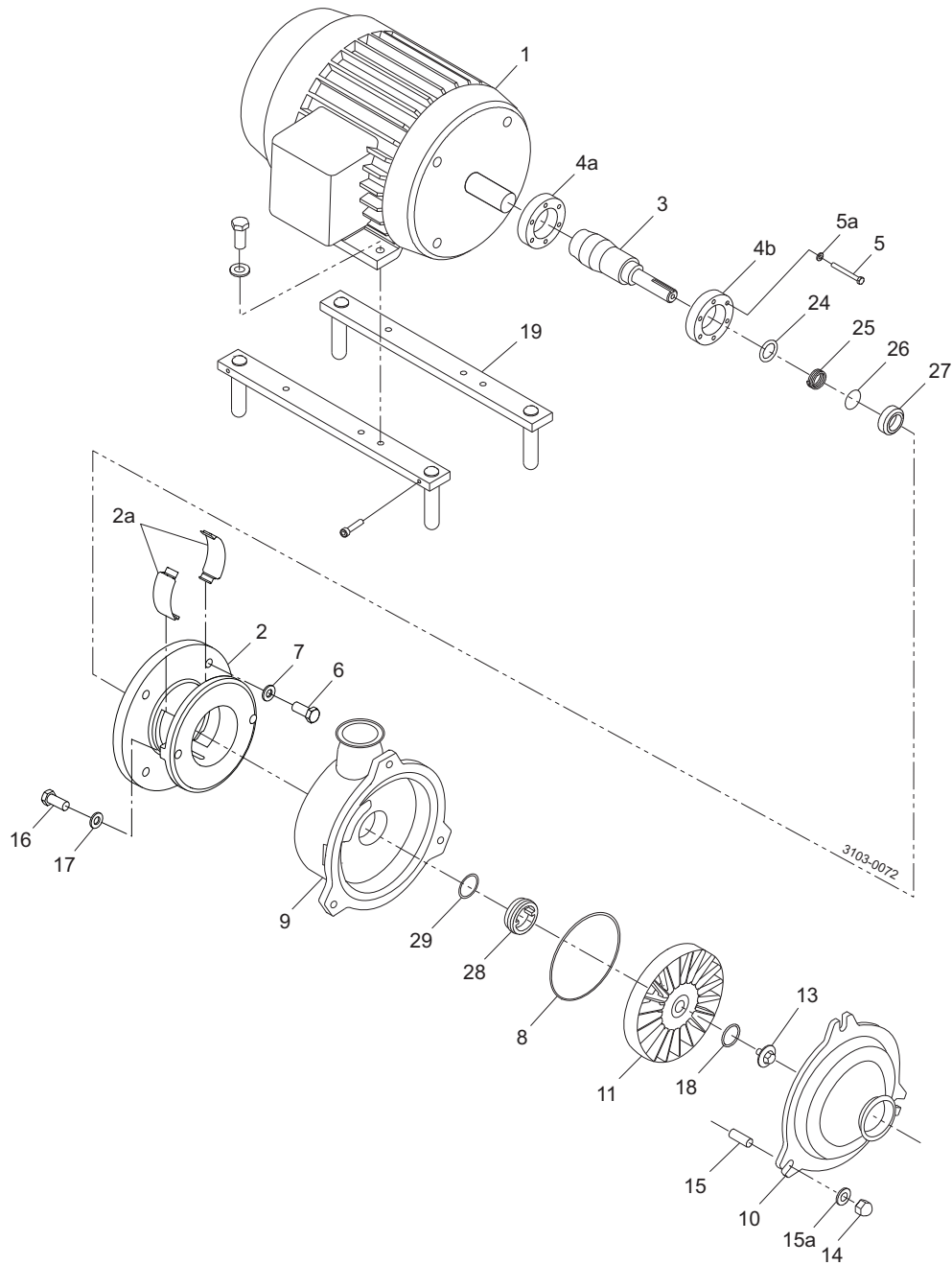
Pos	Qty	Denomination	MR-185US	MR-200US
2	1	Bracket	9613857001	9613857101
2a	2	Bracket cover	9612916803	9612916803
3	1	Shaft	9613422101	9613422201
4a	1	Compression ring	9612133706	9612133703
4b	1	Compression ring	9612133606	9612133603
5	6	Screw	9611993197	9611993198
5a	6	Washer	9611993199	9611993199
6	4	Screw	9611994413	9611994414
7	4	Washer	9611994417	9611994417
8 ▲⊙	1	O-ring, EPDM (standard)	9611994672	9611994672
	1	O-ring, FPM	9611994674	9611994674
9	1	Pump casing, Tri-clamp	9613424002	9613424002
	1	Pump casing, BS-male	9613424006	9613424006
10	1	Casing cover, MR-185, Tri-clamp	9613424102	
	1	Casing cover, MR-185, BS-male	9613424108	
	1	Casing cover, MR-200, Tri-clamp		9613424103
	1	Casing cover, MR-200, BS-male		9613424109
11	1	Impeller	9613422603	9613422603
13	1	Impeller screw	9612139603	9612139603
14	3	Cap nut	22185115	22185115
15	3	Stud bolt	9611992408	9611992408
15a	3	Washer	9611994417	9611994417
16	2	Screw	9611994414	9611994414
17	2	Washer	9611994417	9611994417
24	1	Thrower	3143800451	3143800451
18 ▲⊙	1	O-ring for impellerscrew, EPDM (standard)	9611994689	9611994689
		O-ring for impellerscrew, FPM	9611994711	9611994711
19	1	Bracket set, stainless steel	481663	481665
	1	Bracket set, carbon steel (standard)	481662	481664
Accessories (delivered with every new pump)				
	1	Spanner for stationary seal ring	3143803351	
1	1	Motor, 7.5Hp	9613601609	
	1	Motor, 15Hp		9613601616

Pos	Qty	Denomination	EPDM C/SS (standard)
▲		Shaft seal, complete	9613423901
25	1	Spring	
26	1	O-ring	
27	1	Rotating seal ring	
28	1	Stationary seal ring	
29	1	O-ring	

Pos	Qty	Denomination	NBR C/SS
▲		Shaft seal, complete	
25	1	Spring	
26	1	O-ring	
27	1	Rotating seal ring	
28	1	Stationary seal ring	
29	1	O-ring	

Pos	Qty	Denomination	FPM C/SS
▲		Shaft seal, complete	9613423906
25	1	Spring	
26	1	O-ring	
27	1	Rotating seal ring	
28	1	Stationary seal ring	
29	1	O-ring	

Not manufactured anymore



MR-185US and -200US Liquid-ring pump

Pos	Qty	Denomination	EPDM SIC/SIC
Alternatives			
		⊙ Shaft seal, complete	9613423904
25	1	Spring	
26	1	O-ring	
27	1	Rotating seal ring SIC	
28	1	Stationary seal ring SIC	
29	1	O-ring	

Pos	Qty	Denomination	NBR SIC/SIC
		⊙ Shaft seal, complete	
25	1	Spring	
26	1	O-ring	
27	1	Rotating seal ring SIC	
28	1	Stationary seal ring SIC	
29	1	O-ring	

Pos	Qty	Denomination	FPM SIC/SIC
		⊙ Shaft seal, complete	9613423906
25	1	Spring	
26	1	O-ring	
27	1	Rotating seal ring SIC	
28	1	Stationary seal ring SIC	
29	1	O-ring	

Pos	Qty	Denomination	
Surface roughness, product wetted parts: Ra ≤ 20 μ inch			
9	1	Pump casing, Tri-clamp	9613424004
		Pump casing, BS-male	9613424008
10	1	Casing cover MR-185, Tri-clamp	9613424105
		Casing cover MR-185, BS-male	9613424111
	1	Casing cover MR-200, Tri-clamp	9613424106
		Casing cover MR-200, BS-male	9613424112
11	1	Impeller	9613422602
13	1	Impeller screw	9612139609

		C/SS	SIC/SIC
▲⊙	Service kit, EPDM	9611921949	9611921952
▲⊙	Service kit, FPM	9611921951	9611921954

Parts marked with ▲⊙ are included in the Service kits.

Recommended spare parts: Service kits.

(900331/9)

How to contact Alfa Laval

Contact details for all countries are continually updated on our website.

Please visit www.alfalaval.com to access the information directly.

© Alfa Laval Corporate AB

This document and its contents is owned by Alfa Laval Corporate AB and protected by laws governing intellectual property and thereto related rights. It is the responsibility of the user of this document to comply with all applicable intellectual property laws. Without limiting any rights related to this document, no part of this document may be copied, reproduced or transmitted in any form or by any means (electronic, mechanical, photocopying, recording, or otherwise), or for any purpose, without the expressed permission of Alfa Laval Corporate AB. Alfa Laval Corporate AB will enforce its rights related to this document to the fullest extent of the law, including the seeking of criminal prosecution.