



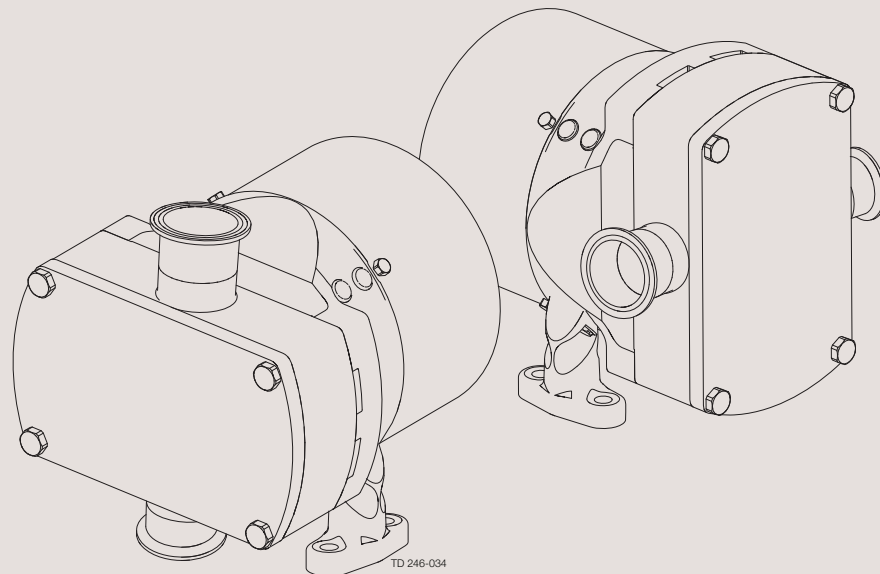
RODEM[®]

SMART SANITARY PROCESSES

www.Rodem.com | (800) 543-7312

Instruction Manual

Rotary Lobe Pumps - OptiLobe



ESE00528-EN4

2019-01

Original manual

The information herein is correct at the time of issue but may be subject to change without prior notice

1. EC Declaration of Conformity	4
2. General description	6
2.1. General description	6
3. Safety	7
3.1. Important information	7
3.2. Warning signs	7
3.3. Safety precautions	8
3.4. Recycling information	9
4. Installation	10
4.1. Unpacking, Handling and Storage	10
4.2. System design and installation	11
4.3. Flushing seal arrangement and pre-start up checks	14
4.4. Pump head heating	15
5. Maintenance	16
5.1. Cleaning in place (CIP)	16
5.2. Maintenance schedule	17
5.3. Dismantling	18
5.4. Assembly	21
5.5. Primary seals removal and fitting	25
5.6. Trouble shooting	27
6. Technical data	28
6.1. Technical data	28
6.2. Pumphead Clearance information	29
7. Parts list	30
7.1. OptiLobe Pump Range	30

1 EC Declaration of Conformity

Revision of Declaration of Conformity 2009-12-29

The Designated Company

Alfa Laval Eastbourne, Alfa Laval Ltd
Company Name

Birch Road, Eastbourne, East Sussex BN23 6PQ
Address

+44 (0) 1323 412555
Phone No.

hereby declare that

Pump
Designation

OptiLobe 12/13, OptiLobe 22/23, OptiLobe 32/33, OptiLobe 42/43, OptiLobe 52/53
Type

From serial number 10.000 to 1.000.000

is in conformity with the following directive with amendments:
- Machinery Directive 2006/42/EC


The person authorised to compile the technical file is the signer of this document

Global Product Quality Manager
Pump, Valves, Fittings and Tank Equipment
Title

Lars Kruse Andersen
Name

Kolding
Place

2019-02-01
Date


Signature



2 General description

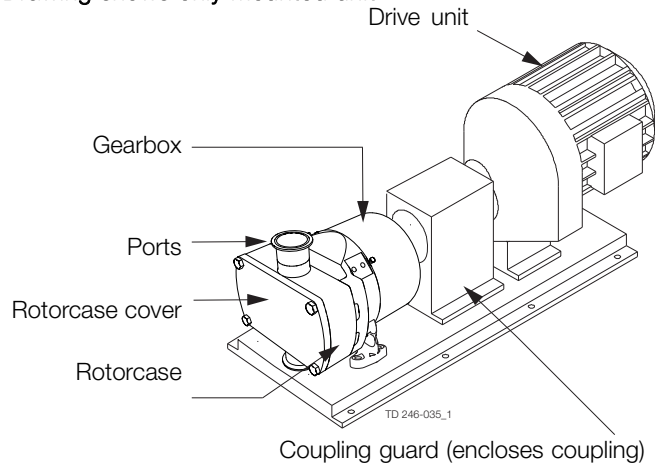
2.1 General description

The Alfa Laval OptiLobe range of pumps is of conventional rotary lobe pump design with the positive displacement being provided by non-contacting, contra rotating tri-lobe rotors within a fully swept pump chamber.

The OptiLobe pump range has a universal gearbox design which gives the flexibility of mounting pumps with the inlet and outlet ports in either a vertical or horizontal plane by changing the foot position.

Handling from low to high viscosity pumped media, the pump's characteristic smooth, low shear pumping action is ideal in application areas such as Brewing, Dairy, Food industries, and is suitable for CIP (Cleaning In Place).

Drawing shows only mounted unit



Pump duty conditions

The pump should only be used for the duty for which it has been specified. The operating pressure, speed and temperature limits have been selected at the time of order and MUST NOT be exceeded. These details are stated on the original order documentation and if not available may be obtained from your supplier quoting pump model and serial number.

Noise levels

Under certain operating conditions pumps and/or drives and/or the systems within which they are installed can produce sound pressure levels in excess of 80 dB[A]. When necessary, protection against noise should be taken.

*Unsafe practices and other important information are emphasized in this manual.
Warnings are emphasized by means of special signs.
Always read the manual before using the pump!*

3.1 Important information

WARNING

Indicates that special procedures must be followed to avoid serious personal injury.

CAUTION

Indicates that special procedures must be followed to avoid damage to the pump.

NOTE

Indicates important information to simplify or clarify procedures.

3.2 Warning signs

General warning:



Dangerous electrical voltage:



Caustic agents:



3 Safety

Unsafe practices and other important information are emphasized in this manual.

Warnings are emphasized by means of special signs.

Always read the manual before using the pump!

3.3 Safety precautions

Installation:

Always read the technical data thoroughly. (See chapter 6 Technical data)

Never start in the wrong direction of rotation with liquid in the pump.

Never put your hands or fingers inside the port connections or anywhere close to rotating shafts.



Always have the pump electrically connected by authorized personnel. (See the motor instruction supplied with the drive unit)



Operation:

Always read the technical data thoroughly. (See chapter 6 Technical data)

Never touch the pump or the pipelines when pumping hot liquids or when sterilising.

Never stand on the pump or pipelines.

Never run the pump with either the suction side or the pressure side blocked.

Never put your hands or fingers inside the port connections or anywhere close to rotating parts.

Never run the pump unless fully assembled and all guards are securely fitted, i.e. pump head must not be removed from gearcase.



Only handle toxic and acidic liquids in accordance with the manufacturers instructions and recommendations.



Maintenance:

Always read the technical data thoroughly. (See chapter 6 Technical data)

Never service the pump when it is hot.

The pump and the pipelines must **never** be pressurised when the pump is serviced.

Never put your hands or fingers inside the port connections or anywhere close to rotating parts.

Installation and operation of the pump must always comply with health and safety regulations. Any hazardous and/or hot, drained or leaked, liquid shall be disposed in compliance with health and safety regulations. If requested at the time of order, the equipment can be supplied with means of safe removal of any hazardous and/or hot, drained or leaked liquid.



Always disconnect the power supply when servicing the pump.



Transportation:

Transportation of the pump or the pump unit:

Never lift or elevate in any way other than described in this manual

Always drain the pump head and accessories of any liquid

Always ensure that no leakage of lubricants can occur

Always transport the pump in it's upright position

Always ensure that the unit is securely fixed during transportation

Always use original packaging or similar during transportation

3.4 Recycling information

Recycling information.

• Unpacking

- Packing material consists of wood, plastics, cardboard boxes and in some cases metal straps.
- Wood and cardboard boxes can be reused, recycled or used for energy recovery.
- Plastics should be recycled or burnt at a licensed waste incineration plant.
- Metal straps should be sent for material recycling.

• Maintenance

- During maintenance oil and wear parts in the machine are replaced.
- All metal parts should be sent for material recycling.
- Worn out or defective electronic parts should be sent to a licensed handler for material recycling.
- Oil and all non metal wear parts must be taken care of in agreement with local regulations.

• Scrapping

- At end of use, the equipment shall be recycled according to relevant, local regulations. Beside the equipment itself, any hazardous residues from the process liquid must be considered and dealt with in a proper manner. When in doubt, or in the absence of local regulations, please contact the local Alfa Laval sales company.
-

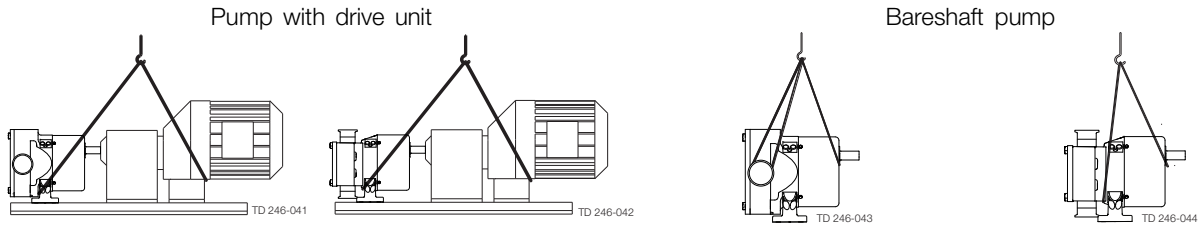
4 Installation

4.1 Unpacking, Handling and Storage

Step 1

Refer to the pump weights guide (See chapter 6 Technical data) before selecting and using any lifting gear. The drawings show how the pump should be lifted.

Ensure that lifting equipment is correctly rated and used within these limits.



Step 2

On receipt always:

- Check the delivery note against the goods received.
- If motorised, check that the drive instructions are available.
- Be careful not to discard any manuals that may be enclosed with the packaging.
- Inspect the packing for signs of damage in transit.
- Carefully remove the packing away from the pump.
- Inspect the pump for any visible signs of damage.
- Clean away the packing from the pump port connections.
- Report any damage immediately to the carrier.

Step 3

After receipt and inspection, if the pump is not to be installed immediately, the pump should be repacked and placed in suitable storage. The following points should be noted:

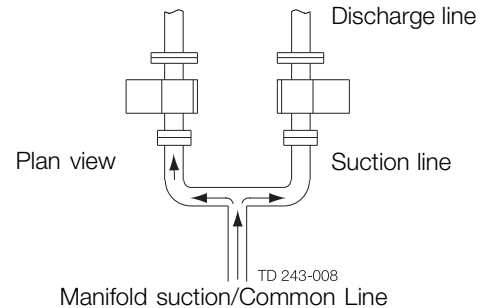
- Plastic or gasket type port covers should be left in place.
 - Pumps received wrapped with corrosion inhibiting treatment material should have wrapping replaced.
 - A clean, dry storage location free from vibration should be selected. If a moist or dusty atmosphere is used for storage, further protect the pump or unit with a suitable cover.
 - Rotate the pump/pump unit by hand weekly, to prevent bearing damage.
 - All associated ancillary equipment should be treated similarly.
-

To ensure optimum operation it is important that any pump unit is installed correctly. When designing a pumping system the following should be taken into consideration.

4.2 System design and installation

Design:

- Confirm the Net Positive Suction Head (NPSH) available from the system exceeds the NPSH required by the pump, as this is crucial for ensuring the smooth operation of the pump and preventing cavitation.
- Avoid suction lifts and manifold/common suction lines for two pumps running in parallel, as this may cause vibration or cavitation.
- Protect the pump against blockage from hard solid objects e.g. nuts, bolts welding slag etc. Also protect the pump from accidental operation against a closed valve by using relief valves, pressure switches or current limiting devices
- Fit suction and discharge monitor points for diagnostic purposes.- Fit valves, if two pumps are to be used on manifold/common discharge lines
- Make the necessary piping arrangements if flushing is required for the seal
- Allow at least 1 m for pump access/maintenance all around the pump
- Do not subject rotary lobe pumps to rapid temperature changes, as pump seizure can result from thermal shock.

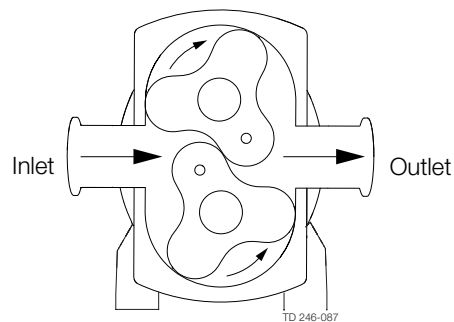
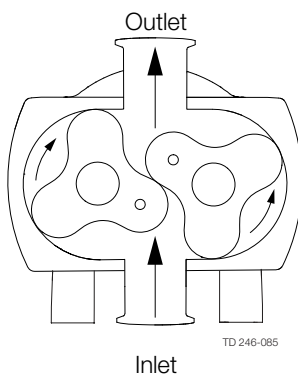
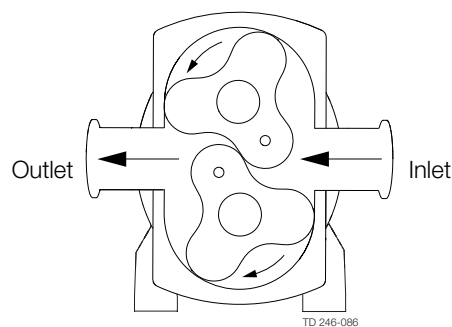
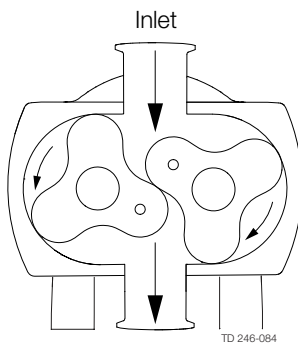


Pipework:

The pump must not be used to support piping. All inlet and outlet piping on the pump unit must be independently supported. Failure to observe this may distort the pump head components or pump assembly and cause serious permanent damage

Direction of flow:

The direction of flow is dictated by the direction of rotation of the drive shaft. Reversing the direction of rotation will reverse the flow direction.



4 Installation

To ensure optimum operation it is important that any pump unit is installed correctly. When designing a pumping system the following should be taken into consideration.

Pump Lubrication:

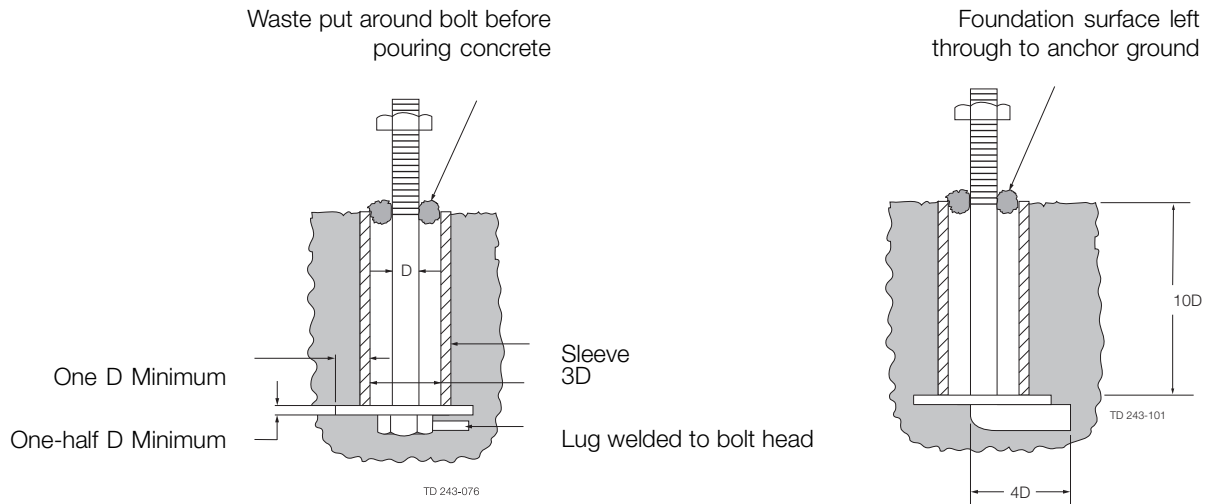
The pump will be supplied filled with grease. It is recommended to change the grease every 20000 hours of pump operation. When changing the grease one of the recommended greases listed below must be used:

Aralube MFL 00
BP Energrease PR-EP00
Mobilux EP 004

Baseplate Foundations

Pumps when supplied with a drive unit are normally mounted on a baseplate. Our standard baseplates have pre-drilled fixing holes to accept base retaining bolts. To provide a permanent rigid support for securing the pump unit, a foundation is required which will also absorb vibration, strain or shock on the pumping unit. Methods of anchoring the baseplate to the foundation are varied, they can be studs embedded in the concrete either at the pouring stage as shown below, or by use of epoxy type grouts. Alternatively mechanical fixings can be used.

The foundation should be approx. 150 mm longer and wider than the baseplate. The depth of the foundation should be proportional to the size of the complete pump unit. For example, a large pump unit foundation depth should be at least 20 times the diameter of the foundation bolts.



The drawing above shows two typical methods for foundation bolt retaining. The sleeve allows for "slight" lateral movement of the bolts after the foundation is poured. Rag or waste paper can be used to prevent the concrete from entering the sleeve while the foundation is poured. A minimum of 14 days is normally required to allow the curing of the concrete prior to pump unit installation.

Pump Feet

If the pump feet have been removed from the bearing housing for any reason and subsequently replaced, it is possible that the shaft and port height may be different to that prior to removal. This is due to its design with the clearance of the feet to the bearing housing holes allowing the possibility of small adjustments to be made to the shaft/port height when mounting the pump, subsequently reducing the need to shim under either the pump or drive to align shafts.

It is therefore important that shaft alignment is checked as any misalignment if unchecked could lead to excessive coupling wear and in extreme cases premature bearing failure.

4 Installation

To ensure optimum operation it is important that any pump unit is installed correctly. When designing a pumping system the following should be taken into consideration.

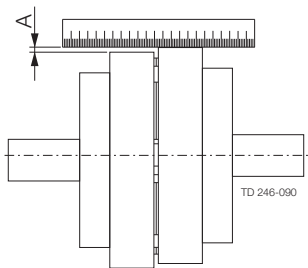
Coupling alignment:

Before the pump unit is installed it is important to ensure that the mounting surface is flat to avoid distortion of the baseplate, which may cause pump/motor shaft misalignment and pump/motor unit damage. Once the baseplate has been secured, the pump shaft to motor shaft coupling alignment should be checked and adjusted as necessary. This is achieved by checking the maximum angular and parallel misalignment for the couplings as stated below. Shaft alignment that is outside the stated tolerances can be corrected by applying shims under the motor or pump foot, or, by moving the pump or drive sideways on the baseplate. All bolts that have been loosened should be re-tightened to the stated torque figure.

The following dimensions and tolerances apply to standard supply couplings only.

Parallel misalignment

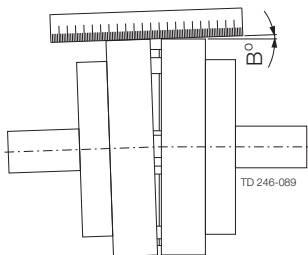
Measure 4 positions at 90° around coupling



Coupling size	Dimension A Maximum
70	0.3 mm
90	0.3 mm
110	0.3 mm
130	0.4 mm
150	0.4 mm
180	0.4 mm
230	0.5 mm
280	0.5 mm

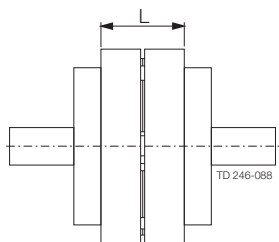
Angular misalignment

Measure 4 positions at 90° around coupling



Coupling size	Dimension B Maximum
70	1°
90	1°
110	1°
130	1°
150	1°
180	1°
230	1°
280	1°

Assembled length



Coupling size	Dimension L ± 1.0mm
70	25
90	30.5
110	45
130	53
150	60
180	73
230	85.5
280	105.5

Recommended bolt torques.

Thread Diameter	M6	M8	M10	M12	M16	M20	M24
Torque (Nm)	6	15	30	50	120	250	200

4 Installation

4.3 Flushing seal arrangement and pre-start up checks

Step 1

A flushed seal arrangement is fitted in order to cool or clean the seal area.

It is important that:

- The flush is correctly connected (see below)
 - A compatible flushing fluid is used and supplied at the correct pressure and flow rate (See chapter 6 Technical data)
 - The flush is turned on at the same time/prior to starting the pump, and turned off at the same time/after stopping the pump.
-

Step 2

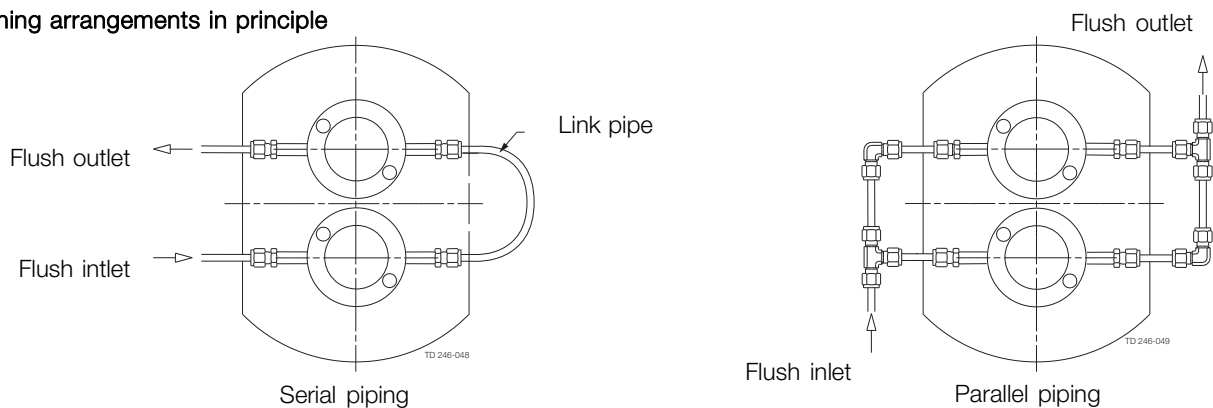
Connecting the flush

The following equipment is strongly recommended when using a flushing system:

- Control valve and pressure gauge, to enable the correct flushing pressure to be obtained and monitored.
 - Isolation valve and check valve, so that the flush can be turned off, and to stop any unwanted substances flowing in the wrong direction
 - A method of visibly indicating flushing fluid flow.
-

Step 3

Flushing arrangements in principle



Step 4

Flushing fluid

The choice of flushing fluid is dependent upon the fluid being pumped and duty conditions i.e. pressure and temperature. Usually water is used for cooling or flushing water soluble products. For single flushed mechanical seal arrangements the temperature of flush media should never allowed to exceed the maximum temperature of the pumped media. For advice on selecting a suitable flushing fluid please contact pump supplier.

Step 5

Flushing pressure and flow rate

Single flushed mechanical seal 0.5 bar (7 psi) maximum. Any further increase in pressure will result in lip seal failure.

The flushing flow rate must be adequate to ensure that the temperature limitation of the seals is not exceeded. Contact your pump supplier for further information on the recommended flow.

Minimum flow rate required per shaft seal is 30 l/hr

Step 6

Pre-start up checks

- Check the pipework system has been purged to remove debris.
 - Check all obstructions have been removed from pipework and pump
 - Check pump connections and pipework joints are tight.
 - Check lubrication levels are correct.
 - Check seal flushing is connected if applicable.
 - Check all safety guards are in place
 - Check that inlet and outlet valves are open.
-

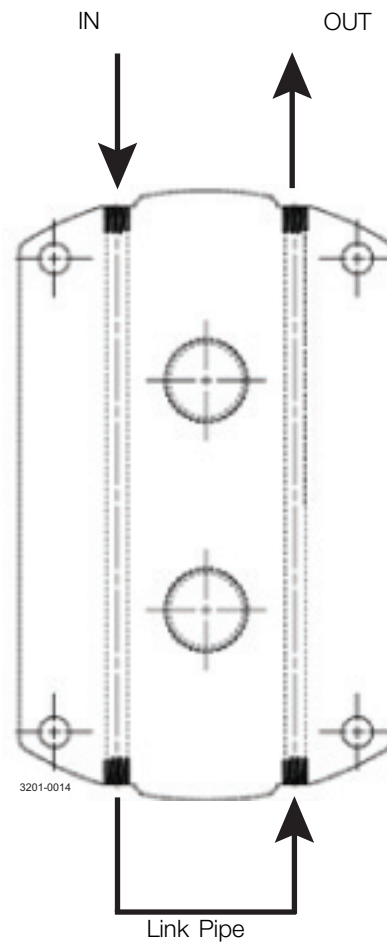
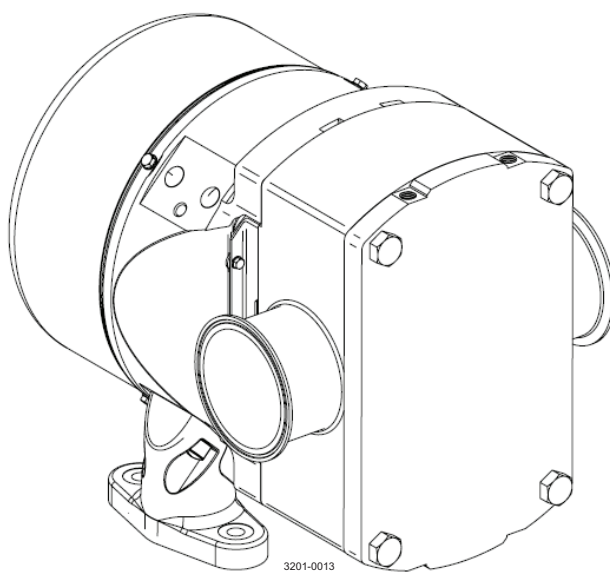
4.4 Pump head heating

The OptiLobe range of pumps have the option of being fitted with a heating/cooling device.

They are primarily used for heating the pumphead so as to maintain the pumped media viscosity and reduce risk of any crystallisation/solidification.

They may also be used for cooling purposes.

Heating is provided with an optional front cover



All flush connections are Female

Model	Thread Specification
OptiLobe 12/13	Rp 1/8"
OptiLobe 22/23	Rp 1/8"
OptiLobe 32/33	Rp 1/8"
OptiLobe 42/43	Rp 1/8"
OptiLobe 52/53	Rp 1/4"

The maximum pressure and temperature of heating/cooling fluid is 3.5 bar (50 psi) and 150°C (302°F) respectively.

OptiLobe 12/13/22/23/32/33

Heating/cooling should be in operation approximately 30 minutes prior to pump start up and remain in operation 30 minutes after pump shut down.

OptiLobe 42/43/52/53

Heating/cooling should be in operation approximately 45 minutes prior to pump start up and remain in operation 45 minutes after pump shut down.

5 Maintenance

5.1 Cleaning in place (CIP)

The pump can be manually cleaned or cleaned in place (CIP). The following is an example of a typical CIP procedure. However specific advice for each application should be sought from the pump supplier.

Typical CIP procedure

1. Flush through the system with cold water or bore water (6°C) (43°F).
2. Run hot caustic soda (70-80°C) (158-176°F) at 2.5% dilution through the system for 20-30 minutes.
3. Final flush through with cold water again.

Warnings

- Never touch the pump or the pipelines as they can be extremely hot!
- Do not subject the pump to rapid temperature changes during CIP procedures, as pump seizure can result from thermal shock. A suitable by-pass is recommended.
- Always rinse well with clean water after using a cleaning agent.
- Always use rubber gloves and protective goggles when handling caustic agents.
- Always store/discharge cleaning agents in accordance with current rules/directives.



5.2 Maintenance schedule

It is advisable to install pressure gauges on both sides of the pump so that any problems within the pump/pipework can be monitored.

Maintenance schedule

Your weekly schedule should include:

- Checking the seals for leakage.
- Checking the lip seals for leakage.
- Check pumping pressures.

In certain operational circumstances the pump will pose a thermal hazard and as such should not be touched during operation. After shutdown the pump unit should be allowed time to cool.

Recommended Spare Parts

The table shows recommended spare parts that should be retained within your maintenance schedule.

Part description	Quantity
O-ring rotorcase cover	1
O-ring rotor sealing shaft end	2
O-ring rotor sealing rotor retainer end	2
Primary seals	2

Rotor nut O-ring Seal Replacement Interval

It is recommended that the rotor nut O-ring seal is replaced every 12 months to maintain a bacteria tight seal.

Rotor Nut Seal Inspection

Periodically inspect the rotor nut O-ring seal for any discoloration, nicks, or cracks. If any of the defects above are noticed, the O-ring seal must be replaced. Inspection and replacement refer to the seal replacement procedure below.

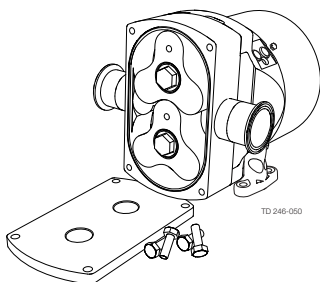
Seal Replacement Procedure

1. Remove rotor case cover (see 5.3 Dismantling, step Step 1).
2. Undo rotor nuts and ensure components are dry before servicing.
3. With a penlight, inspect rotor nut blind tapped hole for contamination. If soiled, refer to cleaning procedure below.
4. Remove and discard rotor nut O-ring seal.
5. Fit new rotor nut O-ring seal.
6. Fit rotor nut and use a torque wrench to tighten to correct torque value (see 6.1 Technical data table 6.1.3).
7. Fit the rotor case cover.

Cleaning Procedure for Soiled Rotor Nut Tapped Hole

1. Remove rotor nut from the shaft.
2. Submerge and soak nut for 5 minutes in COP tank with 2% caustic wash.
3. Scrub the hole with internal thread vigorously by plunging a clean sanitary bristle pipe brush in and out of the hole for two minutes while submerged.
4. Soak nut in acid sanitizer for 5 minutes, and then scrub the hole again with the pipe brush for two minutes.
5. Rinse well with clean water and blow-dry blind tapped hole with clean air.
6. Swab test the inside of the tapped hole to determine cleanliness.
7. Should the swab test fail, repeat steps 2 thru 6 above until swab test is passed.

Should swab testing continue to fail, or time is of the essence, install a new rotor nut.



5 Maintenance

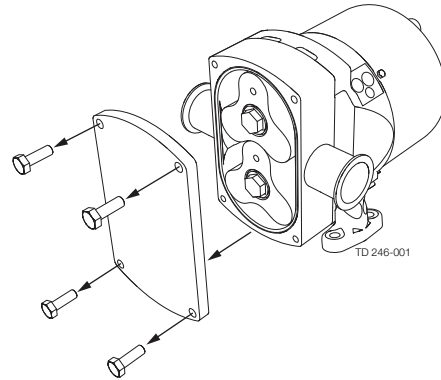
5.3 Dismantling

Step 1

Before disassembling the pump refer to safety precautions. See exploded view drawings (chapter 7 Parts list).

Removing rotorcase cover

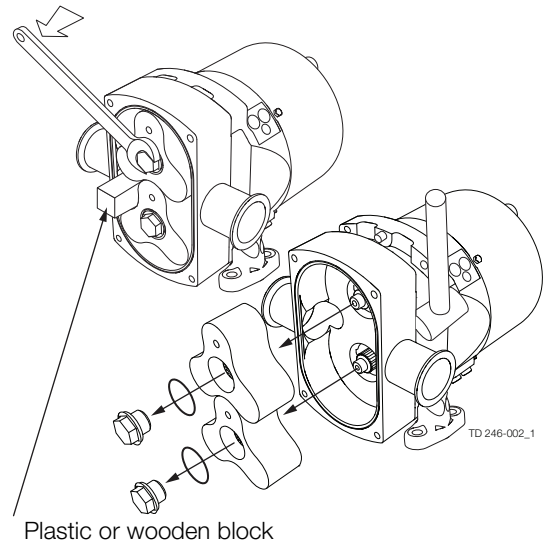
1. Remove rotorcase cover screws (10) and cover (12).



Step 2

Removing rotors

1. Insert a plastic/wooden block between the two rotors (17) to stop them turning.
2. Remove rotor nuts (22), rotor nut O-rings (20) and rotors.
3. Remove the rotorcase cover O-ring (11) and spline sealing O-rings (18) if these are to be replaced.



Step 3

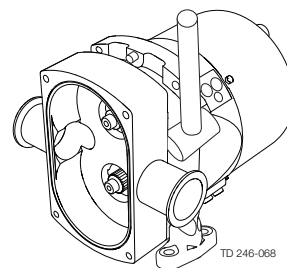
Removing primary seal components

Please see section 5.5 Primary seals removal and fitting for seal removal.

Step 4

Removing rotorcase

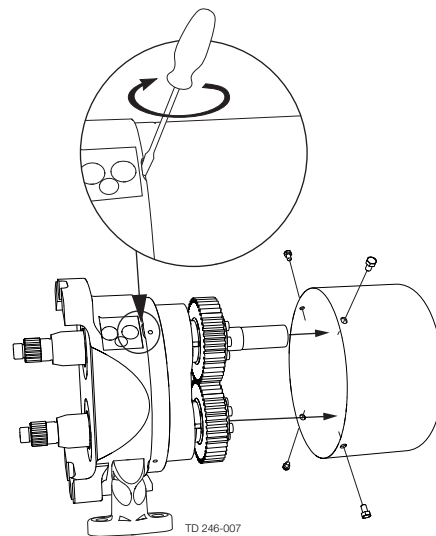
1. Remove the rotorcase retention screws (3).
2. Tap both sides of the rotorcase (9) with a soft hammer.
3. Take care not to allow the rotorcase to drop onto the shafts during the removal process.



Step 5

Removing canister

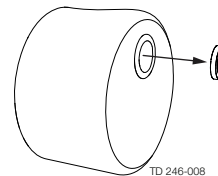
1. Place a tray under the canister (5) to collect the waste lubricant.
2. Remove the four canister retaining screws (6) and allow lubricant to drain.
3. Remove canister from the bearing housing (1) which is sealed with an O-ring (21). To assist in removal a suitable lever can be used in the slots provided.
4. Remove the canister O-ring (21) if this needs to be replaced.



Step 6

Canister lip seal removal

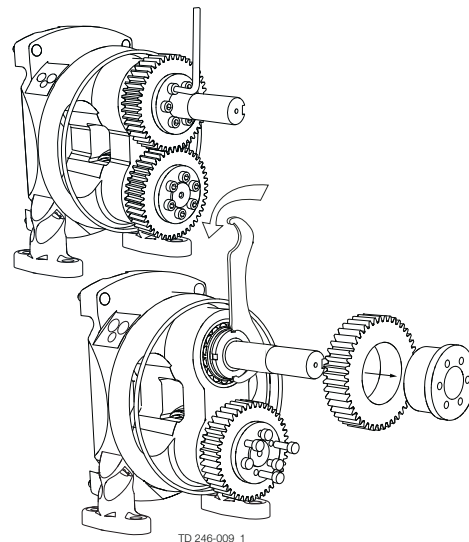
Extract the lip seal (7) from the seal retainer. It is essential to renew the lip seal prior to assembly.



Step 7

Removing timing gears

1. Loosen the bearing nuts (30) with a 'C' spanner by tapping sharply.
2. Remove the torque locking assembly screws (40) in several stages (do not fully undo each screw on the first stage of screw removal).
3. Insert the screws into the threaded holes in the assembly flange and gradually tighten in a crossed sequence until the back cone is released.
4. Slide timing gears (36) off the shafts (24 and 25).

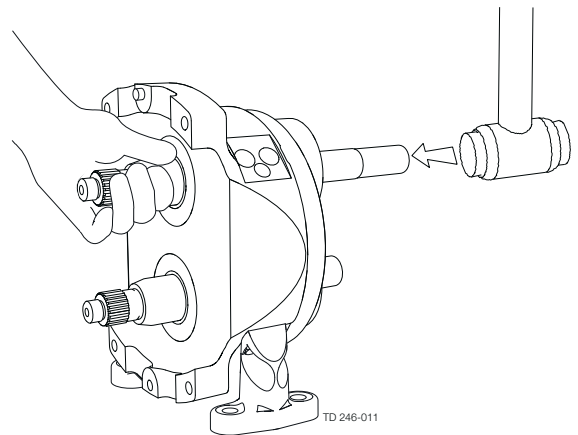


5 Maintenance

Step 8

Shaft assembly removal

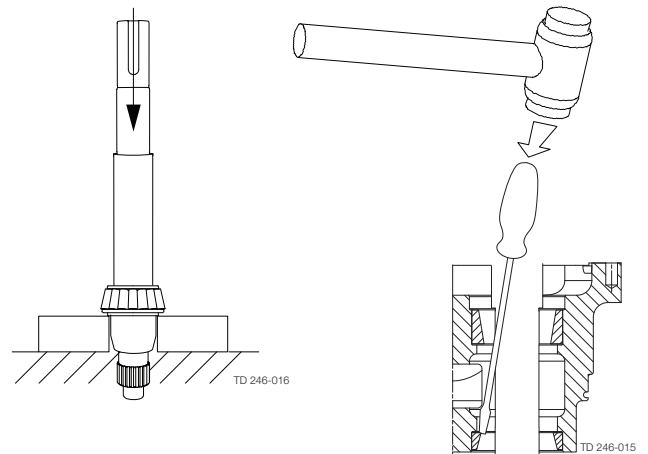
1. Remove bearing nuts (30) with a 'sharp tap' on a 'C' spanner (see also drawing shown in step 7).
2. Using a soft hammer gently tap the rear end of each shaft to remove through the front of the bearing housing, supporting each shaft during removal. As the shaft is removed the bearing housing lip seal (16) and rear bearing (26) will also be removed.
3. Remove lip seal from shaft. It is essential to renew the lip seal prior to assembly.



Step 9

Bearing removal

1. Mount the shaft vertically in a press (rotor part of the shaft down) with a tool positively located against the front bearing inner ring with rolling elements as shown, and apply pressure to the top of the shaft so that the shaft moves through the bearings.
2. From bearing housing tap the outer bearing rings (front and back) and remove shims (27). Renew bearings if removed from the shafts for any reason.



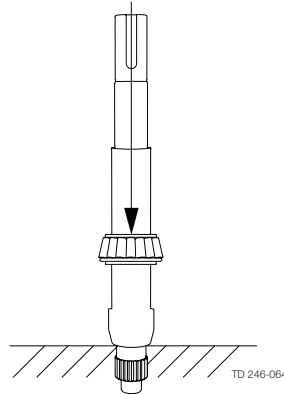
Take care not to damage shaft surfaces, in particular where bearings and lipseals will be located
Ensure all fastenings are tightened to the torque settings as shown in Technical Data (See chapter 6 Technical data).

5.4 Assembly

Step 1

Fitting bearings to shafts

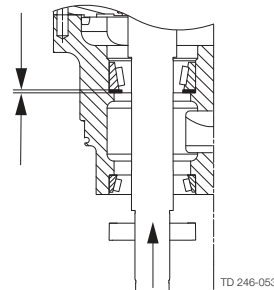
1. Apply an anti-seize compound to the shaft bearing surfaces.
2. Place each shaft vertically in a press and fit the front bearing inner ring with rolling elements.



Step 2

Fitting bearings to housing

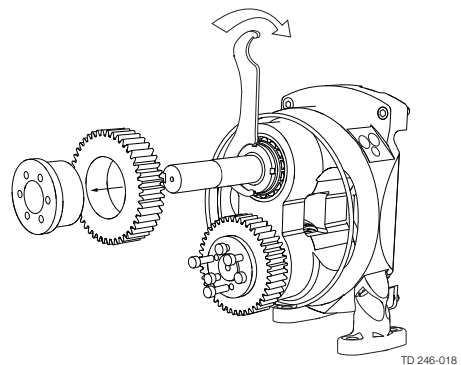
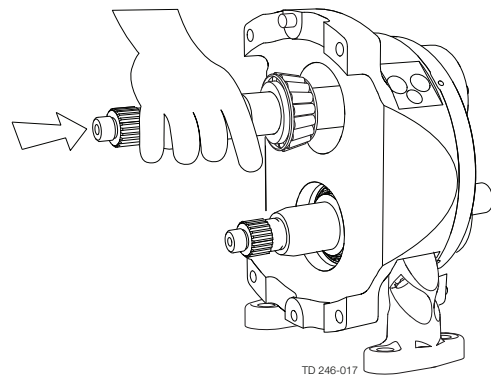
1. Apply an anti-seize compound to the bearing bores in the bearing housing.
2. Press or gently tap the rear bearing outer rings into the rear bearing bores.
3. Turn the bearing housing over and place one shim (27) of 0.10 mm thickness against the abutment shoulder of each front bearing bore.
4. Press or gently tap the front bearing outer rings into the front bearing bores.



Step 3

Fitting shaft assemblies

1. Pass the shaft through the front of the top bearing bores (rear part of the shaft first), so front bearing inner ring with rolling elements fits into front bearing outer ring placed in bearing housing.
2. Hold in place and slide the rear bearing inner ring with rolling elements over the shaft and into the rear bearing outer ring placed in bearing housing (see drawings above).
3. Apply a locking compound to the bearing nut thread.
4. Fit the bearing nut (30) using a 'C' spanner and tighten to remove all axial and radial movement.
5. Rotate the shafts several times to seat the bearings and check rolling torque to the recommended torque value as follows:
Model 22/23 is 2 - 3 lbin (0.23 - 0.34 Nm)
Model 32/33 is 4.5 - 5.5 lbin (0.51 - 0.62 Nm)
Model 42/43 is 5 - 6 lbin (0.57 - 0.68 Nm)
6. Repeat steps 1, 2, 3 & 4 for the other shaft.



Step 4

Fitting rotorcase

Fit the rotorcase (9) to the bearing housing (1) and tighten the rotorcase retention screws (3) to the recommended torque value.

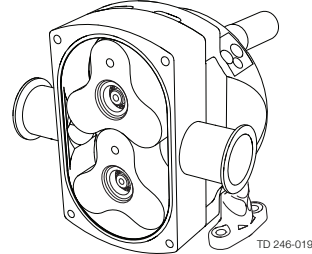
5 Maintenance

Take care not to damage shaft surfaces, in particular where bearings and lipseals will be located
Ensure all fastenings are tightened to the torque settings as shown in Technical Data (See chapter 6 Technical data).

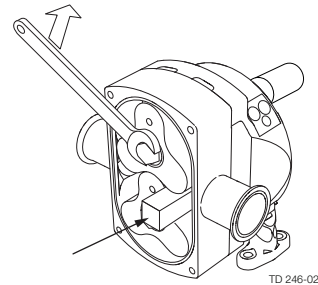
Step 5

Fitting rotors

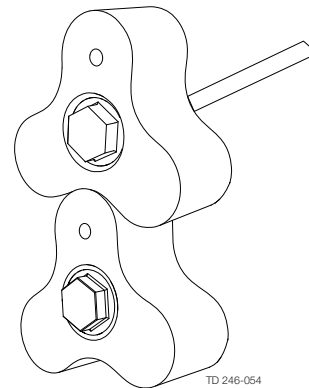
- 5.1. Fit rotors (17) onto the shafts with both dimpled rotor master lobes in the 6 - 12 o'clock position for horizontally ported pumps or the 3 - 9 o'clock position for vertically ported pumps. It is recommended for the rotor on the drive shaft (24) that the rotor dimple aligns with the drive shaft keyway.



- 5.2. Fit rotor nuts (22) to shafts - Use a plastic/wooden block between the rotors to stop them turning and tighten the rotor nuts (22) to the recommended torque value (see table 5.1.3).



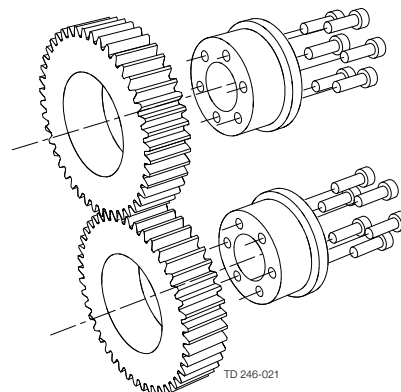
- 5.3. Using feeler gauges measure the back clearance behind each rotor lobe and rotorcase. Refer to Pumphead Clearance Information (section 5.2). If incorrect, remove rotors, rotorcase, shafts and front bearings, and adjust shim (27) thickness to give correct back clearance.



Step 6

Fitting timing gears

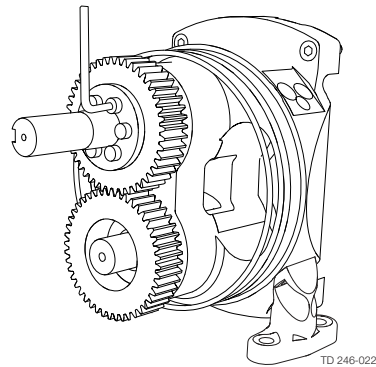
1. Lightly lubricate with oil both rear shaft diameters.
2. Lightly lubricate torque locking assemblies (40) with oil and fit to timing gears.
3. Slide timing gear assemblies (36 and 40) onto shafts.



Take care not to damage shaft surfaces, in particular where bearings and lipseals will be located
Ensure all fastenings are tightened to the torque settings as shown in Technical Data (See chapter 6 Technical data).

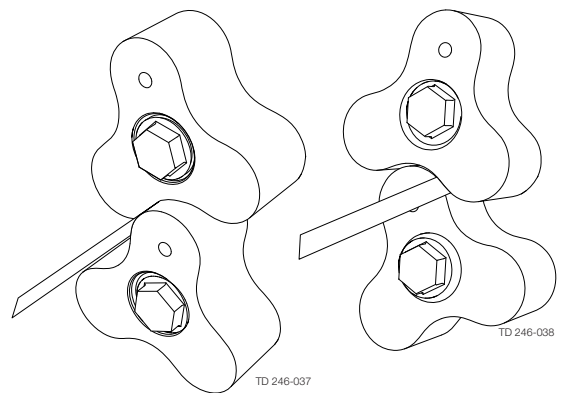
Step 7 Setting timing

Tighten one torque locking assembly only to the recommended torque figure, allowing rotation of the shaft in the other gear for timing adjustment. Screws should be tightened gradually in a diametrically opposite sequence.



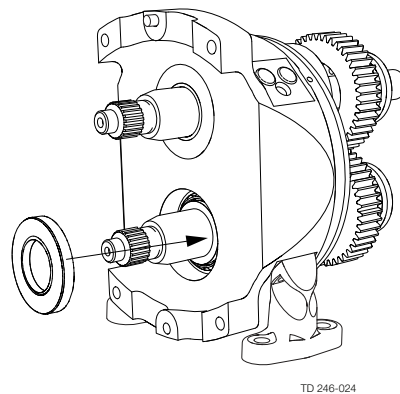
Step 8 Adjusting rotor timing

1. Turn the shaft so that the rotors are in new positions as shown.
2. Squeeze the rotors together and using feeler gauges check the minimum mesh clearance is within specification. Refer to Pumphead Clearance Information (section 5.2).
3. Tighten the other torque locking assembly to the recommended torque figure.
4. Confirm timing is correct as described in step 8.5. Remove rotor nuts and rotors.



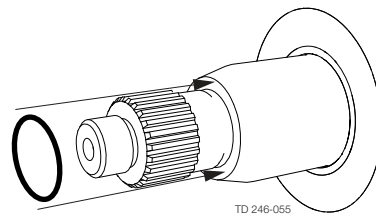
Step 9 Fitting bearing housing lip seals

1. Lightly lubricate lip seals (16) with compatible lubricant.
2. Slide lip seals over shafts and tap into bearing bore.
3. Ensure lip seals are not damaged when sliding them onto the shafts.



Step 10 Fitting spline sealing O-rings

Lightly lubricate spline sealing O-rings (18) and fit over shaft splines to locate against the rotor abutment shoulder.



Step 11 Fitting mechanical seals

Refer to section 4.5 for seal fitting instructions.

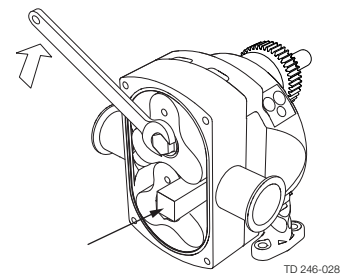
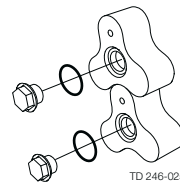
5 Maintenance

Take care not to damage shaft surfaces, in particular where bearings and lipseals will be located
Ensure all fastenings are tightened to the torque settings as shown in Technical Data (See chapter 6 Technical data).

Step 12

Fitting rotors

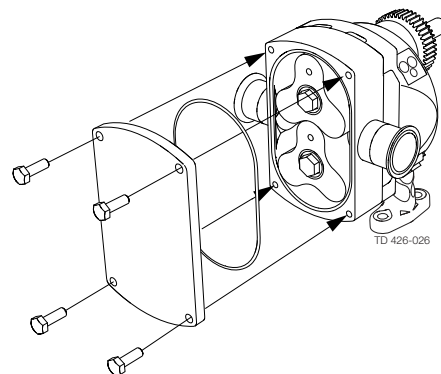
1. Fit rotors onto the shafts with both dimpled rotor master lobes in the 6 - 12 o'clock position for horizontally ported pumps or the 3 - 9 o'clock position for vertically ported pumps. For the rotor on the drive shaft the rotor dimple should be aligned with the drive shaft keyway.
2. Lightly lubricate the rotor nuts O-rings (20) and fit to rotors.
3. Fit rotor nuts to shafts. Use a plastic/wooden block between the rotors to stop them turning and tighten the rotor retention nuts to the recommended torque figure.
4. Check clearances. Refer to Pumphead Clearance Information (section 6.2 Pumphead Clearance information).



Step 13

Fitting rotorcase cover

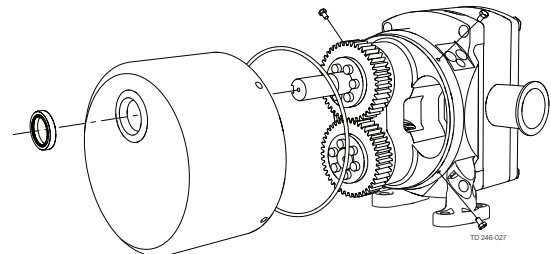
1. Lightly smear rotorcase cover O-ring (11) with compatible lubricant and fit to rotorcase.
2. Fit rotorcase cover onto rotorcase and tighten rotorcase cover screws (3) to the recommended torque value.



Step 14

Fitting canister and lip seal

1. Lightly lubricate canister O-ring (21) and fit into O-ring groove of bearing housing (1).
2. Fit lip seal (7) into the seal retainer that is fitted to the canister.
3. Smear oil on the inner lip of the lip seal and carefully slide the canister over the shaft to locate with the bearing housing by aligning screw holes. Fit and tighten screws (6) to the recommended torque figure.



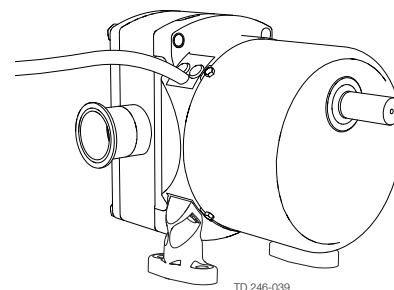
Note:

To assist with canister fitting, one of the drain/filler plugs on the bearing housing can be removed to vent any air build up.

Step 15

Adding lubrication

1. Remove both plastic blanking plugs on the bearing housing to expose screws to be removed.
2. Pour the recommended grease lubricant into the tapped hole.
3. Replace screws and plastic blanking plugs.

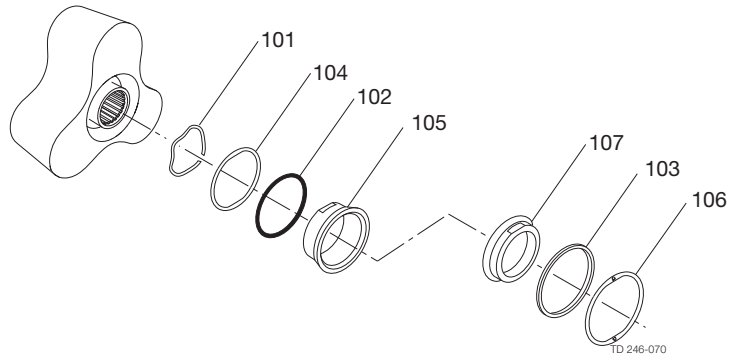


5.5 Primary seals removal and fitting

5.5.1 EasyFit Single mechanical seal

Mechanical seals are fragile. Take extreme care when handling. Clean components before fitting, checking there is no damage to sealing faces. New elastomer parts should be fitted during assembly.

The 'EasyFit' mechanical seal is completely front loading without need of removing rotorcase for access or replacement. The seal setting distance is pre-set.



Item	Description
101	Wave spring
102	Rotary seal ring O-ring
103	'L' cup seal
104	Rotary seal drive ring
105	Rotary seal ring
106	Stationary seal drive ring
107	Stationary seal ring

Step 1

Seal removal

1. Remove rotorcase cover, rotor nuts, rotors and gland guards.
2. Extract the rotary seal ring (105), rotary seal drive ring (104), wave spring (101) and rotary seal ring O-ring (102) from the rear of the rotor. Take extreme care whilst extracting rotary seal ring.
3. Gently ease the stationary seal assembly from the rotorcase using a suitable lever against the stationary seal drive ring (106) extrusions reachable from the back of the rotorcase.

Step 2

Seal fitting

1. Lightly lubricate 'L' seal (103) with water and fit onto the stationary seal ring (107).
2. Fit drive ring to 'L' cup seal ring assembly by aligning the flats on the stationary seal drive ring (106) and stationary seal ring.
3. Gently press the stationary seal ring assembly into the rotorcase bore ensuring that the anti-rotation extrusions in the stationary seal drive ring (106) align with the slots in the rotorcase.
4. Fit wave spring (101) into the rear bore of the rotor.
5. Fit rotary seal drive ring (104) into rear bore of the rotor ensuring that the anti-rotation extrusions locate in the slots in the rotor.
6. Lightly lubricate rotary seal ring O-ring with water and fit into the rear bore of the rotor.
7. Align the two flats on the rotary seal ring (105) with the drive flats in the drive ring and gently press the rotary seal ring into the rear bore of the rotor, through the rotary seal ring O-ring (102).
8. Wipe clean the sealing faces with solvent and fit gland guards, rotors, rotor nuts and rotorcase cover.

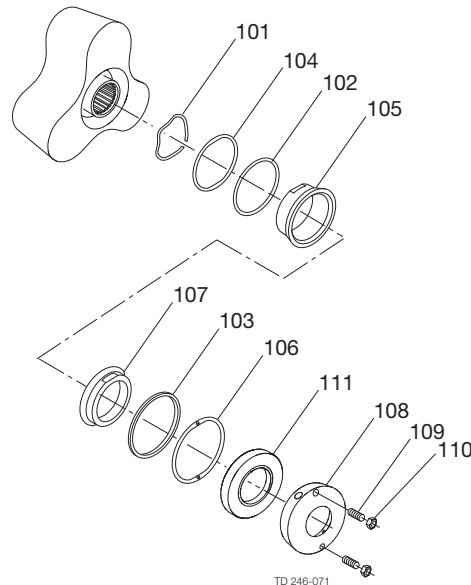
5 Maintenance

5.5.2 EasyFit Single Flushed mechanical seal

Mechanical seals are fragile. Take extreme care when handling. Clean components before fitting, checking there is no damage to sealing faces. New elastomeric parts should be fitted during assembly.

The 'EasyFit' mechanical seal is completely front loading without need of removing rotorcase for access or replacement. The seal setting distance is pre-set.

Item	Description
101	Wave spring
102	Rotary seal ring O-ring
103	'L' cup seal
104	Rotary seal drive ring
105	Rotary seal ring
106	Stationary seal drive ring
107	Stationary seal ring
108	Seal housing Rp 1/8"
109	Seal housing stud
110	Seal housing nut
111	Lip Seal



Step 1

Seal removal

1. Remove rotorcase cover, rotor nuts, rotors and gland guards.
2. Extract the rotary seal ring (105), rotary seal drive ring (104), wave spring (101) and rotary seal ring O-ring (102) from the rear of the rotor. Take extreme care whilst extracting rotary seal ring.
3. Drain seal housing (108) for any liquid and dispose drained liquid in accordance to existing legislation.
4. If only the mechanical seals are to be replaced, a suitable lever can be used to gently ease the stationary seal assembly from the rotorcase. If complete disassembly of the flushed seal components is necessary, remove the rotorcase complete with seal housing.
5. Undo the seal housing retention nuts.
6. Remove the seal housings and extract the lip seals from the seal housings.
7. Remove the seal housing O-ring from the rotorcase.
8. Gently ease the stationary seal assembly from the rotorcase using a suitable lever against the stationary seal drive ring extrusions reachable from the back of the rotorcase.

Step 2

Seal fitting

1. Lightly lubricate 'L' cup seal (103) with water and fit onto the stationary seal ring (107).
2. Fit stationary seal drive ring (106) to 'L' cup seal face assembly by aligning the flats on the stationary seal drive ring and stationary seal ring.
3. Gently press the stationary seal drive ring assembly into the rotorcase bore ensuring that the anti-rotation extrusions in the stationary seal drive ring align with the slots in the rotorcase.
4. If the rotorcase has been removed, lightly lubricate the seal housing O-rings and fit to the rotorcase.
5. Press new lip seals into the seal housings.
6. Fit seal housings to the rotorcase and tighten the seal housing retention nuts to the recommended torque figure.
7. Refit the rotorcase to the bearing housing.
8. Fit wave spring (101) into the rear bore of the rotor.
9. Fit rotary seal drive ring (104) into rear bore of the rotor ensuring that the anti-rotation extrusions locate in the slots in the rotor.
10. Lightly lubricate rotary seal ring O-ring with water and fit into the rear bore of the rotor
11. Align the two flats on the rotary seal ring (105) with the drive flats in the rotary seal drive ring (104) and gently press the rotary seal ring into the rear bore of the rotor, through the rotary seal ring O-ring (102). On the front face of the seal ring there is an alignment mark to show the position of the flats on the rear face.
12. Wipe clean the sealing faces with solvent and fit gland guards, rotors, rotor nuts and rotorcase cover.

5.6 Trouble shooting

Problem											Probable Causes	Solutions				
No flow	Under capacity	Irregular discharge	Low discharge pressure	Pump will not prime	Prime lost after starting	Pump stalls when starting	Pump overheats	Motor overheats	Excessive power absorbed	Noise and vibration			Pump element wear	Syphoning	Seizure	Mechanical seal leakage
✓				✓											Incorrect direction of rotation.	Reverse motor.
✓															Pump not primed.	Expel gas from suction line and pumping chamber and introduce fluid.
	✓	✓	✓	✓	✓					✓					Insufficient NPSH available.	Increase suction line diameter. Increase suction head. Simplify suction line configuration and reduce length. Reduce pump speed.
		✓	✓	✓	✓					✓					Fluid vaporising in suction line.	Increase suction line diameter. Increase suction head. Simplify suction line configuration and reduce length. Reduce pump speed.
✓	✓	✓	✓	✓	✓	✓				✓			✓		Air entering suction line.	Remake pipework joints.
		✓	✓	✓	✓	✓				✓					Strainer or filter blocked.	Service fittings.
		✓			✓	✓	✓	✓	✓	✓					Fluid viscosity above rated figure.	Increase fluid temperature. Decrease pump speed. Check seal face viscosity limitations.
✓	✓	✓													Fluid viscosity below rated figure.	Decrease fluid temperature. Increase pump speed.
							✓		✓	✓			✓	✓	Fluid temp. above rated figure.	Reduce fluid temperature. Check seal face and elastomer temp. limitations.
							✓	✓	✓						Fluid temp. below rated figure.	Increase fluid temperature.
										✓	✓		✓	✓	Unexpected solids in fluid.	Clean the system. Fit strainer to suction line.
✓	✓	✓			✓	✓	✓	✓	✓	✓	✓		✓	✓	Discharge pressure above rated figure	Check for obstructions i.e. closed valve. Service system and change to prevent problem recurring. Simplify discharge line to decrease pressure.
														✓	Seal flushing inadequate.	Increase flush flow rate. Check that flush fluid flows freely into seal area.
	✓							✓	✓	✓					Pump speed above rated figure.	Decrease pump speed.
✓	✓														Pump speed below rated figure.	Increase pump speed.
	✓						✓	✓	✓	✓	✓		✓		Pump casing strained by pipework.	Check alignment of pipes. Fit flexible pipes or expansion fittings. Support pipework.
							✓		✓	✓	✓		✓		Flexible coupling misaligned.	Check alignment and adjust mountings accordingly.
							✓	✓	✓	✓	✓		✓		Insecure pump driver mountings.	Fit lock washers to slack fasteners and re-tighten.
							✓	✓	✓	✓	✓		✓	✓	Shaft bearing wear or failure.	Refer to pump maker for advice and replacement parts.
							✓	✓	✓	✓	✓		✓		Insufficient gearcase lubrication.	Refer to pump maker's instructions.
✓	✓						✓	✓	✓	✓	✓		✓		Metal to metal contact of pumping element.	Check rated and duty pressures. Refer to pump maker.
✓		✓													Worn pumping element.	Fit new components.
✓			✓												Suction lift too high.	Lower pump or raise liquid level.
														✓	Fluid pumped not compatible with materials used.	Use optional materials.
													✓		No barrier in system to prevent flow passing.	Ensure discharge pipework higher than suction tank.
													✓		Pump allowed to run dry.	Ensure system operation prevents this. Fit single or double flushed mechanical seals.
								✓	✓						Faulty motor.	Check and replace motor bearings.
✓															Pumping element missing	Fit pumping element.

6 Technical data

6.1 Technical data

6.1.1 Lubrication

Pump Model	Grease capacities litres
12	0.6
13	0.6
22	1.0
23	1.0
32	2.0
33	2.0
42	3.0
43	3.0
52	6.0
53	6.0

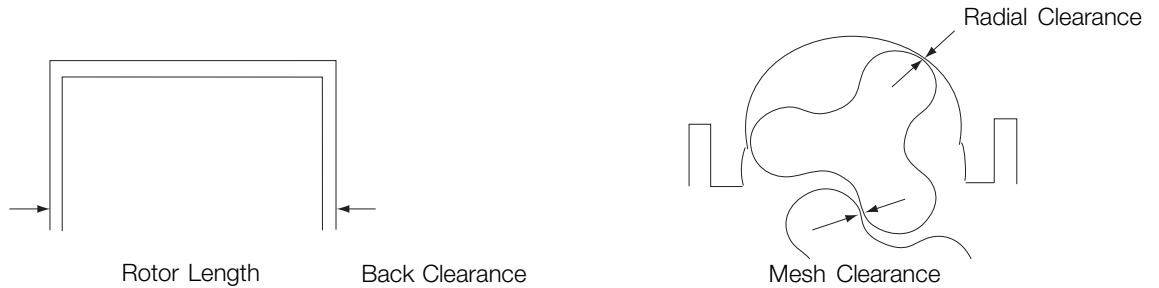
6.1.2 Weights

Pump Model	Bare Shaft Pump		Typical pump and drive unit	
	kg	lb	kg	lb
12	11.5	25	55	121
13	12.5	28	58	128
22	20.5	45	67	148
23	21.5	47	72	157
32	33.5	74	125	276
33	34.5	76	128	282
42	60	132	215	474
43	63	136	218	481
52	116	255	338	745
53	128	282	350	771

6.1.3 Tool requirements

Description	Tool required	Pump Model				
		12/13	22/23	32/33	42/43	52/53
Screw, rotorcase cover (10)	Socket Size (mm)	13	17	17	17	24
	Torque Setting (Nm)	20	30	30	30	90
	Torque Setting (lbft)	14.7	22.1	22.1	22.1	66.3
Nut, rotor retention (22)	Socket Size (mm)	15	24	24	36	36
	Torque Setting (Nm)	30	80	120	160	220
	Torque Setting (lbft)	22.1	59.0	88.5	118.0	162.2
Screw, rotorcase retention (3)	Key Size (mm)	5	6	6	6	10
	Torque Setting (Nm)	15	20	20	20	65
	Torque Setting (lbft)	11	14.8	14.8	14.8	48
Screw, canister retention (6)	Socket Size (mm)	8	8	8	8	10
	Torque Setting (Nm)	4	4	4	4	6
	Torque Setting (lbft)	3	3	3	3	4.4
Screw, torque locking assembly	Key Size (mm)	3	5	5	5	6
	Torque Setting (Nm)	4	17	17	17	35
	Torque Setting (lbft)	3	12.5	12.5	12.5	25.8
Screw, foot (58)	Key Size (mm)	6	6	6	6	10
	Torque Setting (Nm)	20	20	20	20	65
	Torque Setting (lbft)	14.8	14.8	14.8	14.8	48
Drain/Filler plug (45)	Key Size (inch)	3/16	3/16	3/16	3/16	3/16

6.2 Pumphead Clearance information

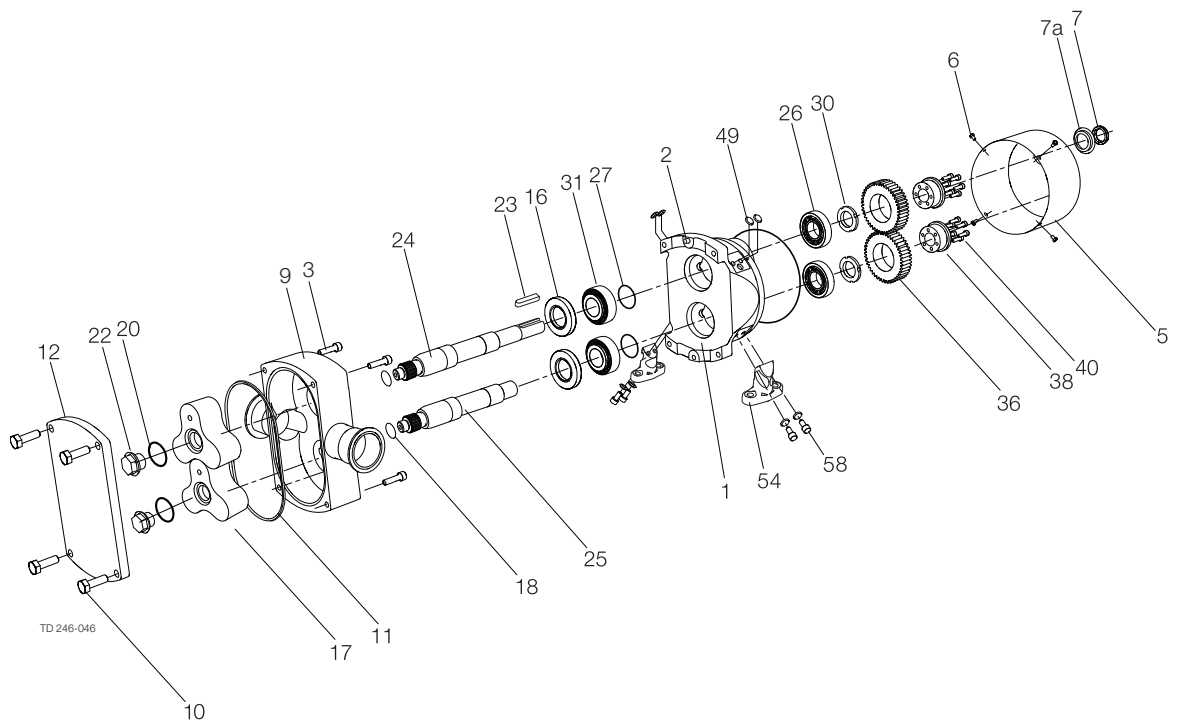


Minimum mesh clearance at any mesh position.
All dimensions in millimeters

Pump Model	Rotor Length	Front Clearance (min)	Back Clearance	Rotor Diameter	Radial Clearance (min)	Min Mesh*
12	16.98	0.085	0.12	71.82	0.06	0.06
	16.93			71.78		
13	29.92	0.10	0.16	71.69	0.13	0.08
	29.88			71.64		
22	27.13	0.16	0.22	94.74	0.11	0.10
	27.10			94.69		
23	36.13	0.18	0.22	94.74	0.10	0.11
	36.10			94.69		
32	33.13	0.20	0.22	117.84	0.12	0.11
	33.10			117.79		
33	45.13	0.25	0.22	117.80	0.14	0.12
	45.10			117.75		
42	50.13	0.17	0.24	139.88	0.15	0.07
	50.10			139.83		
43	66.13	0.24	0.24	139.76	0.20	0.10
	66.10			139.71		
52	61.55	0.26	0.18	171.35	0.30	0.15
	61.50			171.30		
53	89.50	0.28	0.20	171.20	0.37	0.15
	89.45			171.15		

7 Parts list

7.1 OptiLobe Pump Range



Parts list

Pos.	Qty	Denomination
1	1	Bearing housing
2	1	Dowel
3	4	Screw, rotorcase retention
5	1	Canister
6	4	Screw, canister retention
7	1	Lip seal, drive end
7a	1	Carrier, lip seal
9	1	Rotorcase
10	4	Screw, rotorcase cover
11	1	'O' Ring, rotorcase cover
12	1	Cover, rotorcase
16	2	Lip seal, gland end
17	2	Rotors
18	2	'O' Ring, rotor sealing shaft end
20	2	'O' Ring, rotor sealing nut end
21	2	'O' Ring, canister
22	2	Nut, rotor retention
23	1	Key
24	1	Shaft, drive
25	1	Shaft, auxiliary
26	2	Bearing, rear
27	2	Shim, shaft abutment
30	2	Nut, bearing
31	2	Bearing, front
36	2	Timing gear
38	2	Torque locking assembly
40	12	Screw, torque locking assembly
45	2	Drain/Filler plug
49	2	Blanking plug
54	1	Foot
58	2	Screw, foot

How to contact Alfa Laval

Contact details for all countries are continually updated on our website.

Please visit www.alfalaval.com to access the information directly.

© Alfa Laval Corporate AB

This document and its contents is owned by Alfa Laval Corporate AB and protected by laws governing intellectual property and thereto related rights. It is the responsibility of the user of this document to comply with all applicable intellectual property laws. Without limiting any rights related to this document, no part of this document may be copied, reproduced or transmitted in any form or by any means (electronic, mechanical, photocopying, recording, or otherwise), or for any purpose, without the expressed permission of Alfa Laval Corporate AB. Alfa Laval Corporate AB will enforce its rights related to this document to the fullest extent of the law, including the seeking of criminal prosecution.