



## Alfa Laval Accessories - Quick Connection

### Sampling valves

#### Introduction

The Alfa Laval Quick Connection is a hygienic sampling accessory for connection when using the Alfa Laval Unique Sampling Valve. It can be used individually or in combination with sampling accessories, such as the Alfa Laval Non-return Valve.

#### Application

This quick connection is designed for use with the Alfa Laval Unique Sampling Valve in hygienic applications across the food, beverage, personal care, pharmaceutical and many other industries.

#### Benefits

- Simple, straightforward design
- Easy to install and use
- Safe operation
- Flexible options

#### Standard design

The standard Quick Connection consists of a quick connection for fast and easy mounting on the sampling valve. It is available with either hose, tube, blind cap or male connection for further distribution via hose or tube. A special integrated Quick Connection version, including the Alfa Laval Non-return Valve and Indication Unit with the Unique Sampling Valve, makes it possible to use different Cleaning-in-Place (CIP) media without any risk of mixing.

#### Working principle

The standard Alfa Laval Quick Connection can easily be fitted with female quick connection. This makes it easy to divert product, steam or CIP media to the sample point or drain via hose or piping.

Using the Quick Connection with the Alfa Laval Non-return Valve and an indication unit make it possible to connect up to four different drains to the sampling valve by utilizing four different quick connections, each with an indication ring to differentiate the four from one another:

- No indication ring
- Inner indication ring
- Outer indication ring
- Inner and outer indication rings

Depending on the indication rings, the system indicates which pipe is connected to the sampling valve and ensures that the fluids are not mixed. The quick connection is fitted with non-return valves to prevent backflow and thereby prevent any cross-contamination of the fluids.



## TECHNICAL DATA

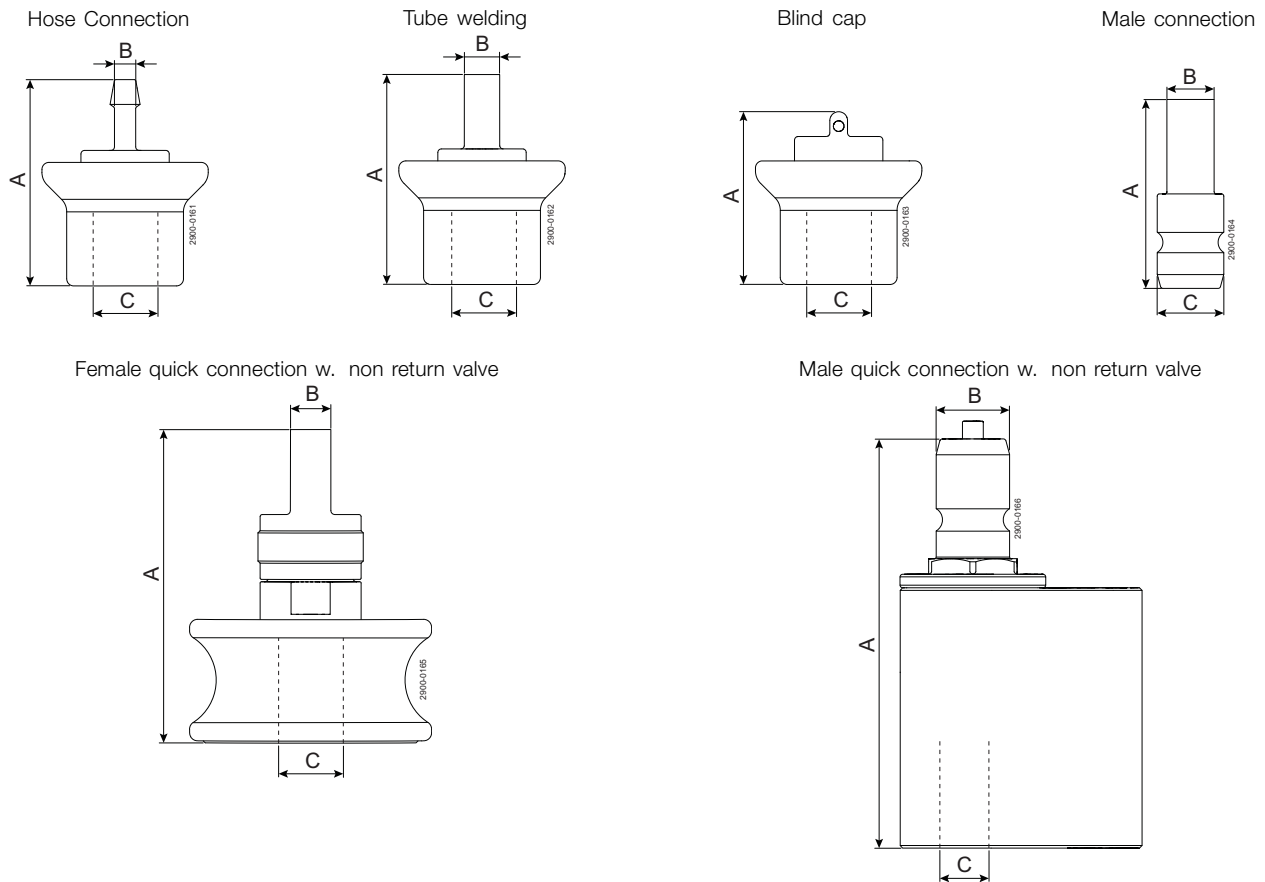
Temperature	
Temperature range:	1°C - 130°C

Pressure	
Max. working pressure:	600 kPa (6 bar)
Min. working pressure:	0 kPa (0 bar)

## PHYSICAL DATA

Materials	
Product wetted parts:	1.4404 (316L)
Other parts:	1.4301 (304), PA 6.6 30% GF

## Dimensions (mm)



Type	A	B	C
Quick connection w. hose connection $\varnothing 6$	58	6	14
Quick connection w. hose connection $\varnothing 8$	58	8	14
Quick connection w tube welding	59	10	14
Quick connection w. blind cab	49	-	14
Male connection	40	10	14
Female quick connection w. non return valve	77	10	14
Male quick connection w. non return valve	78.6	14	10

Alfa Laval reserves the right to change specifications without prior notification.

---

**How to contact Alfa Laval**

Contact details for all countries are continually updated on our website. Please visit [www.alfalaval.com](http://www.alfalaval.com) to access the information direct.