



Unique Sampling Valve

Accessories - Steam Generator

Concept

Portable steam generator heated by gas to be used for sterilizing. This steam generator is designed to be used in locations without permanent steam supply.

Working principle

The portable steam generator produces pure steam for sterilizing sampling valves and valve connections.

It consists of a water vessel, a vessel safety cap, pressure relief valve, pressure gauge and easy-to-connect spray gun fitted with a heat insulated quick release coupling powered by a gas canister.

The steam generator is designed with safety as top priority. Designed to reduce heat transfer during steam generation and with a low size and weight, making it safe and easy to operate.



TECHNICAL DATA

Temperature

Temperature range: 33.8°F - 266°F

Sterilisation temperature, dry steam (2 bar) . 249.8°F

Pressure

Max. steam pressure 50.8 psi (3.5 bar)

Capacity

Tank volumen: 0.29 gallon

Total steam time (full tank, 2 bar): 15 min.

Steam time for sterilization (2 bar): 2 min.

Start-up time (full tank): 10-12 min.

Weight (without gas and water): 12 kg.

PHYSICAL DATA

Materials

Steam hose: Food grade (FDA 177/2600)

Cover plates: 1.4404 (316)

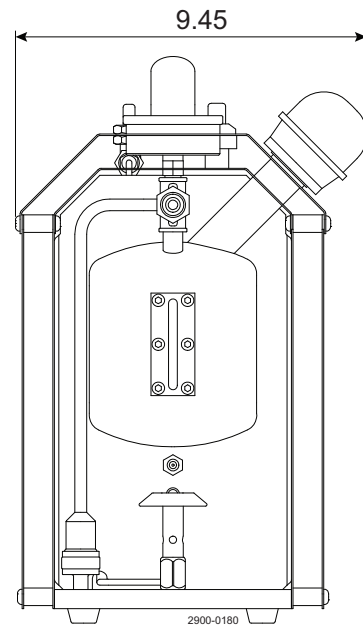
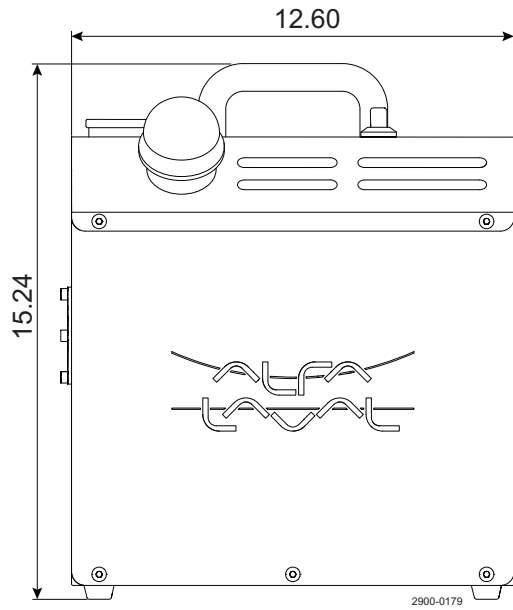
Steam vessel: 1.4404 (316)

Other steel parts: 1.4404 (316), 1.4301 (304)

Other: PTFE, PA 6.6

N.B. Gas canister is not included. Can be purchased at the local hardware store.

Dimensions:



Alfa Laval reserves the right to change specifications without prior notification. ALFA LAVAL is a trademark registered and owned by Alfa Laval Corporate AB.

ESE2441ENUS 1505

© Alfa Laval

How to contact Alfa Laval

Contact details for all countries are continually updated on our website. Please visit www.alfalaval.us to access the information direct.