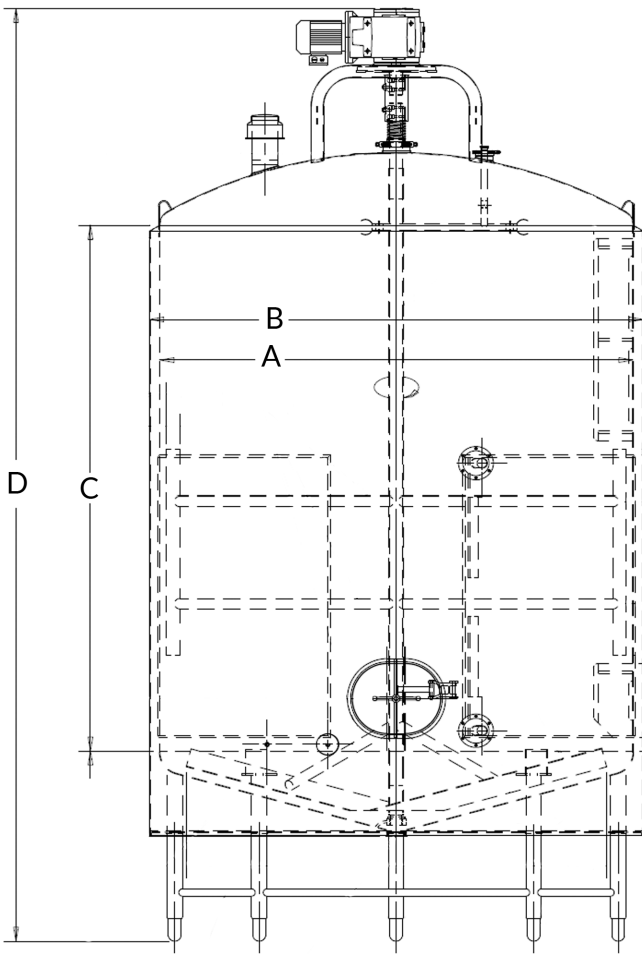
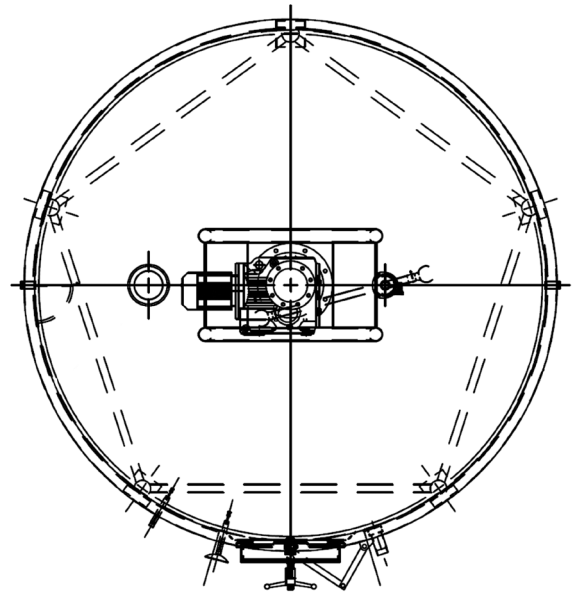


# Crystallizer - Indoor Whey - 023042



U.S. GALLONS	A (ID)	B (OD)	C (SS)	D (OAH)	WEIGHT (LBS)
2000	84	89.5	84		3500
3000	95.75	100.75	93	178	4300
4000	95.75	100.75	125	208	5000
5000	107.75	112.75	120	229.75	5700
6000	107.75	112.75	144	253.75	6500
7000	107.75	112.75	172	282	7500
8000	120	124.75	158	272	10,500
10,000	120	124.75	199	316	12,000
12,000	144	148.75	160		12,800



#### Additional notes:

- Product Contact: 304L Stainless w/ 32 Ra Finish
- Non-Product Contact 304L w/ 32 Ra Finish
- Support Legs 304L w/ 155 Ra Finish
- Heat Transfer (1) zone on sidewall
- 2" EPS Insulation on sidewall, 3" Fiberglass on bottom head
- Legs with adjustable ball feet
- Side & Bottom Sweep agitator
- Agitator baffles included as needed
- Designed for 1.3 SG, 1,000 CPS max
- Tank is atmospheric rated

#### Nozzle Schedule Includes:

- 16" x 20" Manway w/ sample
- 2" x 3" No-Foam Inlet
- 4" Outlet
- Agitator Fitting
- Level Gauge Sleeve
- Indicating Thermowell
- Recording Thermowell
- CIP T-ball assembly
- Vent Screen & Cap
- Heat Transfer Connection

#### Optional Items:

- Product Contact: other alloys & finishes available
- Non-Product Contact: other alloys & finishes available
- Stainless ladder & platform
- Ask DCI, Inc. Sales for other options available



DCI, Inc.  
600 North 54th Ave  
St. Cloud, MN 56303  
Phone: 320-252-8200  
www.dciinc.com



Stay up to date with everything DCI, Inc.!



11/14/19 Rev-0