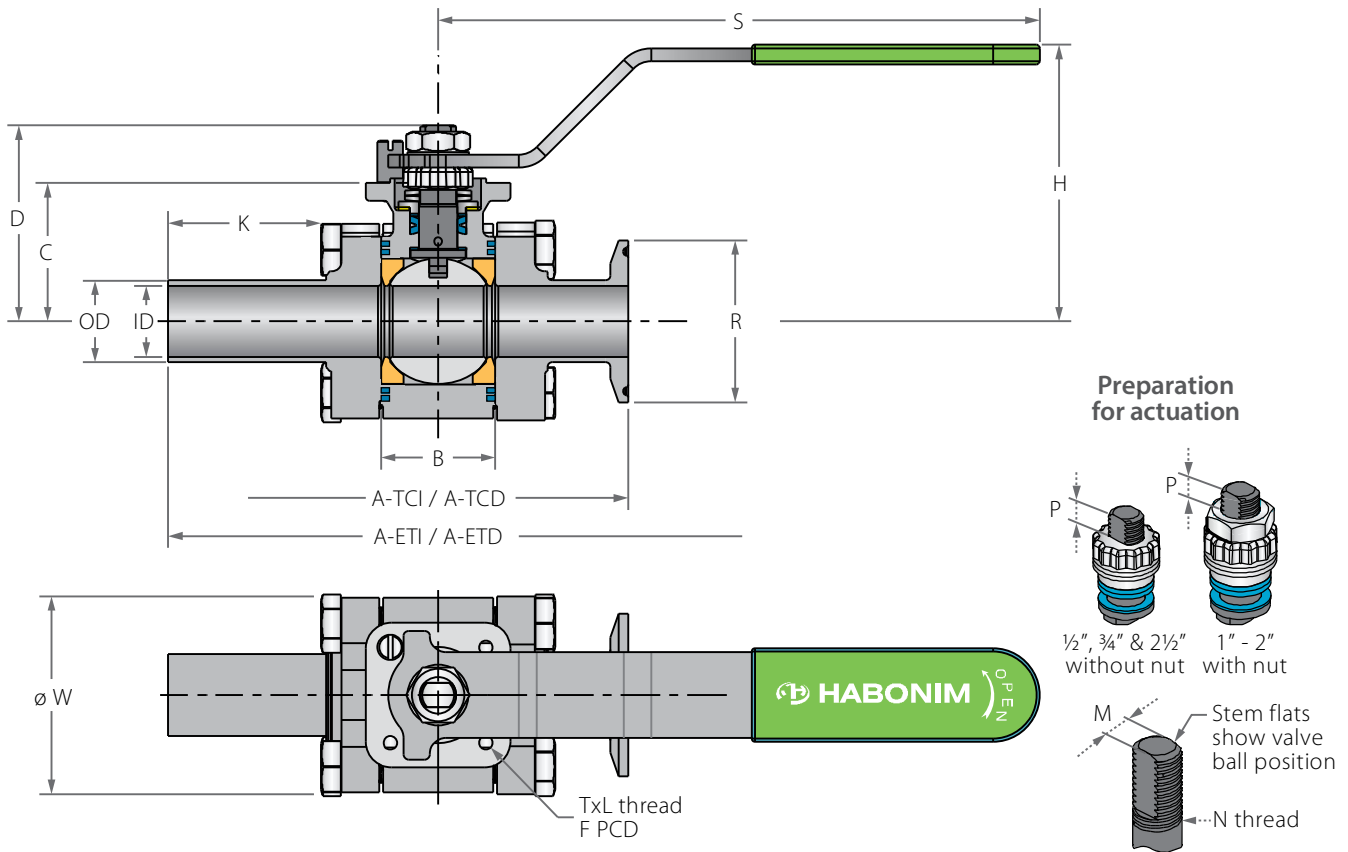


Y47 3/8"-2" | DN8-DN50 | ANSI CLASS 900

ISO 1127 / DIN 11850 Floating Ball 3 Piece

Valve dimensions



ISO 1127 Tube Sized

| Std. port | Unit | Ball port | Pipe ID | Pipe OD | A ETI | A TCI | B | C | D | H | S | W | M | N | P | F | TxL | Weight kg/lb | Kv Cv |
|-----------|------|-----------|---------|---------|--------|--------|-------|-------|-------|--------|--------|--------|------|----------|-------------|-------|-------|--------------|-------|
| DN10 | mm | 14.30 | 14.00 | 17.20 | 146.50 | 101.50 | 24.50 | 31.40 | 40.30 | 63.90 | 150.00 | 53.70 | 5.54 | 3/8 UNF | 6.65 (F03) | 36.00 | M5X10 | 0.80 | 10 |
| 3/8" | inch | 0.56 | 0.55 | 0.68 | 5.76 | 3.99 | 0.97 | 1.24 | 1.59 | 2.52 | 5.91 | 2.11 | 0.22 | | 0.26 | 1.42 | | 1.77 | 12 |
| DN15 | mm | 15.75 | 18.10 | 21.30 | 146.60 | 102.00 | 24.60 | 36.00 | 45.00 | 67.90 | 150.00 | 52.10 | 5.54 | 3/8 UNF | 6.65 (F03) | 36.00 | M5X10 | 1.00 | 29 |
| 1/2" | inch | 0.62 | 0.71 | 0.84 | 5.77 | 4.00 | 0.97 | 1.42 | 1.77 | 2.67 | 5.91 | 2.05 | 0.22 | | 0.26 | 1.42 | | 2.10 | 34 |
| DN20 | mm | 22.10 | 23.70 | 26.90 | 167.8 | 118.00 | 35.50 | 43.50 | 61.00 | 84.80 | 187.00 | 60.45 | 7.54 | 3/8 UNF | 7.40 (F04) | 42.00 | M5X10 | 1.70 | 53 |
| 3/4" | inch | 0.87 | 0.93 | 1.06 | 6.60 | 4.65 | 1.40 | 1.71 | 2.41 | 3.34 | 7.36 | 2.38 | 0.30 | | 0.29 | 1.65 | | 3.80 | 62 |
| DN25 | mm | 25.40 | 29.70 | 33.70 | 179.30 | 133.70 | 41.30 | 42.70 | 60.20 | 84.10 | 187.00 | 71.70 | 7.54 | 7/16 UNF | 7.40 (F04) | 42.00 | M5X10 | 2.50 | 49 |
| 1" | inch | 1.00 | 1.17 | 1.33 | 7.05 | 5.26 | 1.62 | 1.68 | 2.37 | 3.31 | 7.36 | 2.82 | 0.30 | | 0.29 | 1.65 | | 5.53 | 57 |
| DN32 | mm | 38.10 | 38.40 | 42.40 | 200.30 | 158.90 | 56.30 | 48.30 | 77.80 | 101.80 | 237.00 | 96.90 | 8.71 | 7/16 UNF | 8.50 (F05) | 50.00 | M6X12 | 4.50 | 102 |
| 1 1/4" | inch | 1.50 | 1.51 | 1.67 | 7.88 | 6.25 | 2.22 | 1.90 | 3.06 | 4.01 | 9.33 | 3.82 | 0.34 | | 0.33 | 1.97 | | 9.95 | 118 |
| DN40 | mm | 38.10 | 44.30 | 48.30 | 200.30 | 158.90 | 56.30 | 48.30 | 77.80 | 101.80 | 237.00 | 96.90 | 8.71 | 9/16 UNF | 8.50 (F05) | 50.00 | M6X12 | 4.50 | 102 |
| 1 1/2" | inch | 1.50 | 1.74 | 1.90 | 7.88 | 6.25 | 2.22 | 1.90 | 3.06 | 4.01 | 9.33 | 3.82 | 0.34 | | 0.33 | 1.97 | | 9.95 | 118 |
| DN50 | mm | 50.80 | 56.30 | 60.30 | 232.60 | 213.00 | 72.60 | 70.00 | 88.10 | 115.10 | 237.00 | 108.00 | 8.71 | 9/16 UNF | 13.50 (F07) | 70.00 | M8X12 | 9.50 | 208 |
| 2" | inch | 2.00 | 2.22 | 2.37 | 9.15 | 8.38 | 2.86 | 2.76 | 3.47 | 4.53 | 9.33 | 4.25 | 0.34 | | 0.53 | 2.76 | | 21.00 | 241 |

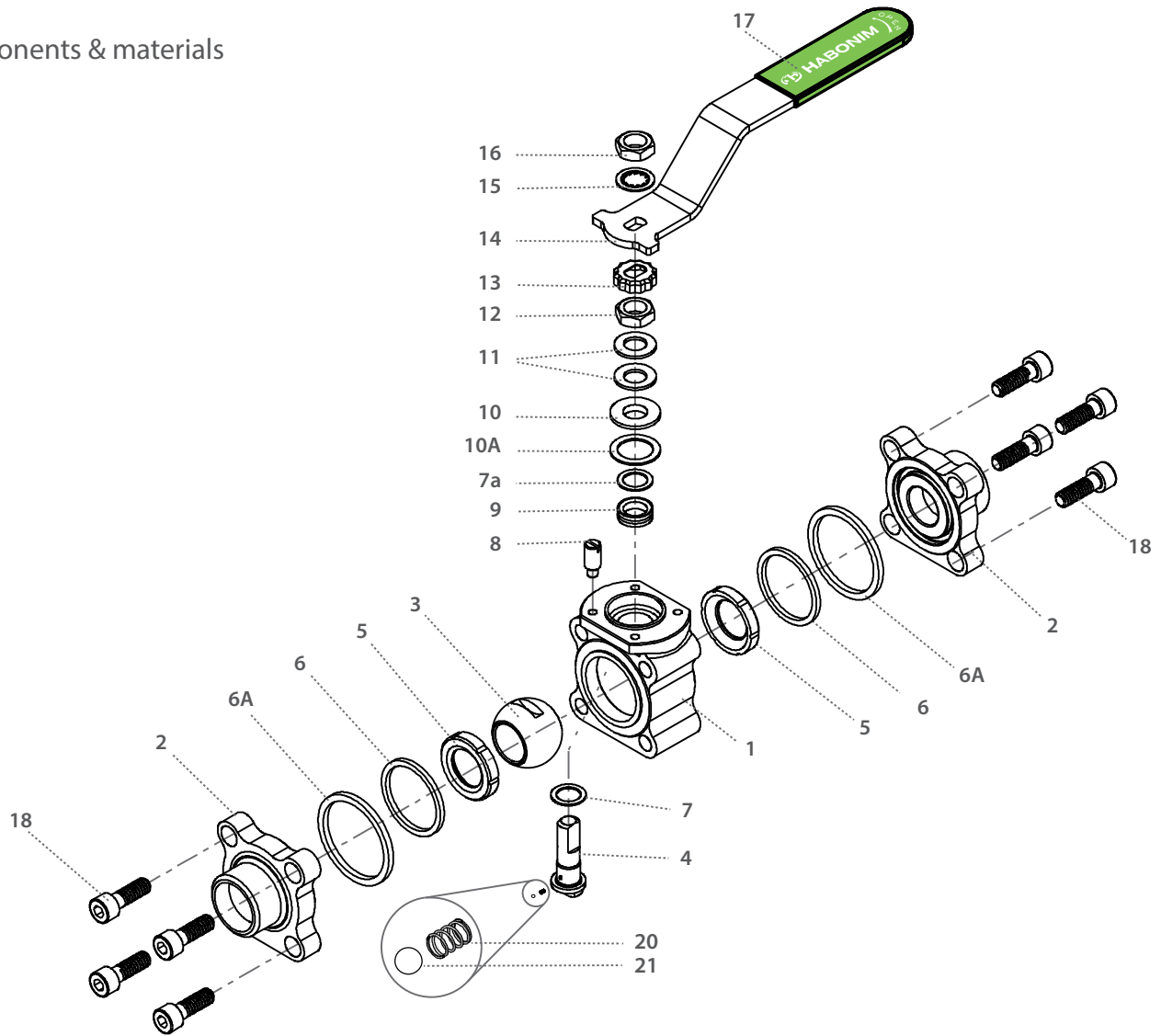
DIN 11850 Tube Sized

| Std. port | Unit | Ball port | Pipe ID | Pipe OD | A ETD | A TCD | B | C | D | H | S | W | M | N | P | F | TxL | Weight kg/lb | Kv Cv |
|-----------|------|-----------|---------|---------|--------|--------|-------|-------|-------|--------|--------|--------|------|----------|-------------|-------|-------|--------------|-------|
| DN10 | mm | 11.15 | 10.00 | 13.00 | 140.60 | 88.80 | 20.60 | 29.00 | 37.9 | 61.50 | 150.00 | 47.00 | 5.54 | 3/8 UNF | 6.65 (F03) | 36.00 | M5X10 | 0.60 | 2.6 |
| 3/8" | inch | 0.44 | 0.39 | 0.51 | 5.53 | 6.49 | 0.81 | 1.14 | 1.49 | 2.42 | 5.91 | 1.85 | 0.22 | | 0.26 | 1.42 | | 1.33 | 3.0 |
| DN15 | mm | 15.75 | 16.00 | 19.00 | 146.60 | 102.00 | 24.60 | 36.00 | 45.00 | 67.90 | 150.00 | 52.10 | 5.54 | 3/8 UNF | 6.65 (F03) | 36.00 | M5X10 | 1.00 | 29 |
| 1/2" | inch | 0.62 | 0.63 | 0.75 | 5.77 | 4.00 | 0.97 | 1.42 | 1.77 | 2.67 | 5.91 | 2.05 | 0.22 | | 0.26 | 1.42 | | 2.10 | 34 |
| DN20 | mm | 20.60 | 20.00 | 23.00 | 164.10 | 114.30 | 31.70 | 38.10 | 55.60 | 79.40 | 187.00 | 63.70 | 7.54 | 3/8 UNF | 7.40 (F04) | 42.00 | M5X10 | 1.60 | 28 |
| 3/4" | inch | 0.81 | 0.79 | 0.91 | 6.46 | 45.00 | 1.25 | 1.50 | 2.19 | 3.13 | 7.36 | 2.51 | 0.30 | | 0.29 | 1.65 | | 3.54 | 32 |
| DN25 | mm | 25.40 | 26.00 | 29.00 | 179.30 | 133.70 | 41.30 | 42.70 | 60.20 | 84.10 | 187.00 | 71.70 | 7.54 | 7/16 UNF | 7.40 (F04) | 42.00 | M5X10 | 2.50 | 49 |
| 1" | inch | 1.00 | 1.02 | 1.14 | 7.05 | 5.26 | 1.62 | 1.68 | 2.37 | 3.31 | 7.36 | 2.82 | 0.30 | | 0.29 | 1.65 | | 5.53 | 57 |
| DN32 | mm | 31.80 | 32.00 | 35.00 | 189.40 | 139.70 | 48.40 | 43.60 | 73.00 | 97.00 | 237.00 | 86.70 | 8.71 | 7/16 UNF | 8.50 (F05) | 50.00 | M6X12 | 3.60 | 69 |
| 1 1/4" | inch | 1.25 | 1.26 | 1.38 | 7.45 | 5.50 | 1.91 | 1.72 | 2.87 | 3.82 | 9.33 | 3.41 | 0.34 | | 0.33 | 1.97 | | 7.96 | 80 |
| DN40 | mm | 38.10 | 38.00 | 41.00 | 200.30 | 158.90 | 56.30 | 48.30 | 77.80 | 101.80 | 237.00 | 96.90 | 8.71 | 9/16 UNF | 8.50 (F05) | 50.00 | M6X12 | 4.50 | 102 |
| 1 1/2" | inch | 1.50 | 1.50 | 1.61 | 7.88 | 6.25 | 2.22 | 1.90 | 3.06 | 4.01 | 9.33 | 3.82 | 0.34 | | 0.33 | 1.97 | | 9.95 | 118 |
| DN50 | mm | 50.80 | 50.00 | 53.00 | 232.60 | 213.00 | 72.60 | 70.00 | 88.10 | 115.10 | 237.00 | 108.00 | 8.71 | 9/16 UNF | 13.50 (F07) | 70.00 | M8X12 | 9.50 | 208 |
| 2" | inch | 2.00 | 1.97 | 2.09 | 9.15 | 8.38 | 2.86 | 2.76 | 3.47 | 4.53 | 9.33 | 4.25 | 0.34 | | 0.53 | 2.76 | | 21.00 | 241 |



ISO 1127 / DIN 11850 Floating Ball 3 Piece

Components & materials



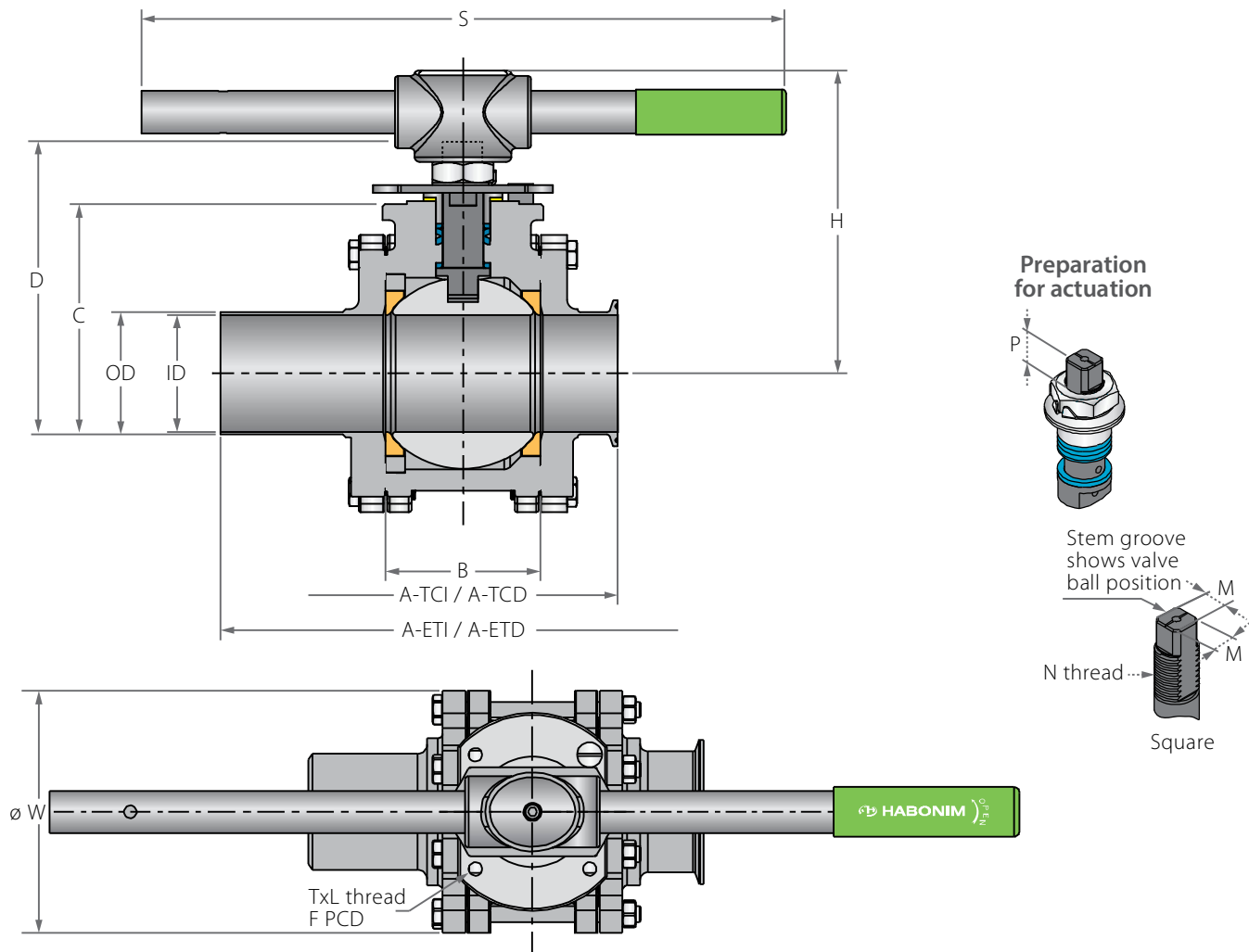
| Item | Description | Material specification | Qty. |
|------|--------------------|------------------------|------|
| 1 | Body | Acc. Ordering Code | 1 |
| 2 | Ends | Acc. Ordering Code | 2 |
| 3 | Ball | Acc. Ordering Code | 1 |
| 4 | Stem | Acc. Ordering Code | 1 |
| 5* | Seat | Acc. Ordering Code | 2 |
| 6* | Inner seal | PTFE | 2 |
| 6A* | Outer seal | Acc. Ordering Code | 2 |
| 7* | Stem thrust seal | VIRGIN PEEK, PCTFE | 1 |
| 7a* | Anti-abrasion ring | VIRGIN PEEK, PCTFE | 1 |
| 8 | Stop pin | S. Steel | 1 |
| 9* | Stem seal | CF PTFE, TFM | 1 |
| 10 | Follower | S. Steel | 1 |

| Item | Description | Material specification | Qty. |
|------|---------------------|------------------------|------|
| 10A* | Slide bearing | S. Steel | 1 |
| 11 | Disc spring | S. Steel | 2 |
| 12 | Stem nut | S. Steel | 1 |
| 13 | Locking clip | S. Steel | 1 |
| 14 | Handle | S. Steel | 1 |
| 15 | Serrated washer | S. Steel | 1 |
| 16 | Handle nut | S. Steel | 1 |
| 17 | Sleeve | PVC | 1 |
| 18 | Body bolt | S. Steel | 8 |
| 20 | Anti-static spring | S. Steel | 1 |
| 21 | Anti-static plunger | S. Steel | 1 |
| 23 | Tag (not shown) | S. Steel | 1 |

* Repair kit components

ISO 1127 / DIN 11850 Floating Ball 3 Piece

Valve dimensions



ISO 1127 Tube Sized

| Std. port | Unit | Ball port | Pipe ID | Pipe OD | A ETI | A TCI | B | C | D | H | S | W | M | M-DD | N | P | Q | F | TxL | Weight kg/lb | Kv Cv | |
|-----------|------|-----------|---------|---------|--------|--------|--------|--------|--------|--------|--------|--------|-------|-------|--------|-------|-------|-------|--------|--------------|---------------|-----------|
| DN65 | mm | 63.50 | 72.10 | 76.10 | 283.40 | 215.80 | 83.30 | 98.30 | 144.90 | 185.00 | 400.00 | 140.00 | 18.90 | 15.90 | 1"-14 | 16.70 | 22.70 | (F10) | 102.00 | M10X20 | 13.70 / 300 | 300 / 348 |
| 2½" | inch | 2.50 | 2.84 | 3.00 | 11.57 | 8.49 | 3.28 | 3.87 | 5.71 | 7.29 | 15.75 | 5.50 | 0.74 | 0.63 | UNS-2A | 0.66 | 0.89 | | 4.02 | M10X20 | 30.30 / 66.30 | 348 / 863 |
| DN80 | mm | 82.60 | 84.30 | 88.90 | 319.80 | 245.40 | 108.80 | 114.10 | 160.70 | 200.00 | 600.00 | 177.00 | 18.90 | 15.90 | 1"-14 | 16.70 | 22.70 | (F10) | 102.00 | M10X20 | 23.70 / 52.40 | 615 / 713 |
| 3" | inch | 3.25 | 3.32 | 3.50 | 12.59 | 9.66 | 4.28 | 4.49 | 6.33 | 7.89 | 23.62 | 6.97 | 0.74 | 0.63 | UNS-2A | 0.66 | 0.89 | | 4.02 | M10X20 | 52.40 / 66.30 | 713 / 863 |
| DN100 | mm | 100.00 | 109.70 | 114.30 | 390.00 | 268.80 | 123.00 | 124.00 | 170.50 | 211.00 | 600.00 | 217.00 | 18.90 | 15.90 | 1"-14 | 16.70 | 22.70 | (F10) | 102.00 | M10X20 | 30.00 / 66.30 | 744 / 863 |
| 4" | inch | 3.94 | 4.32 | 4.50 | 15.35 | 10.58 | 4.84 | 4.88 | 6.71 | 8.30 | 23.62 | 8.54 | 0.74 | 0.63 | UNS-2A | 0.66 | 0.89 | | 4.02 | M10X20 | 66.30 / 863 | |

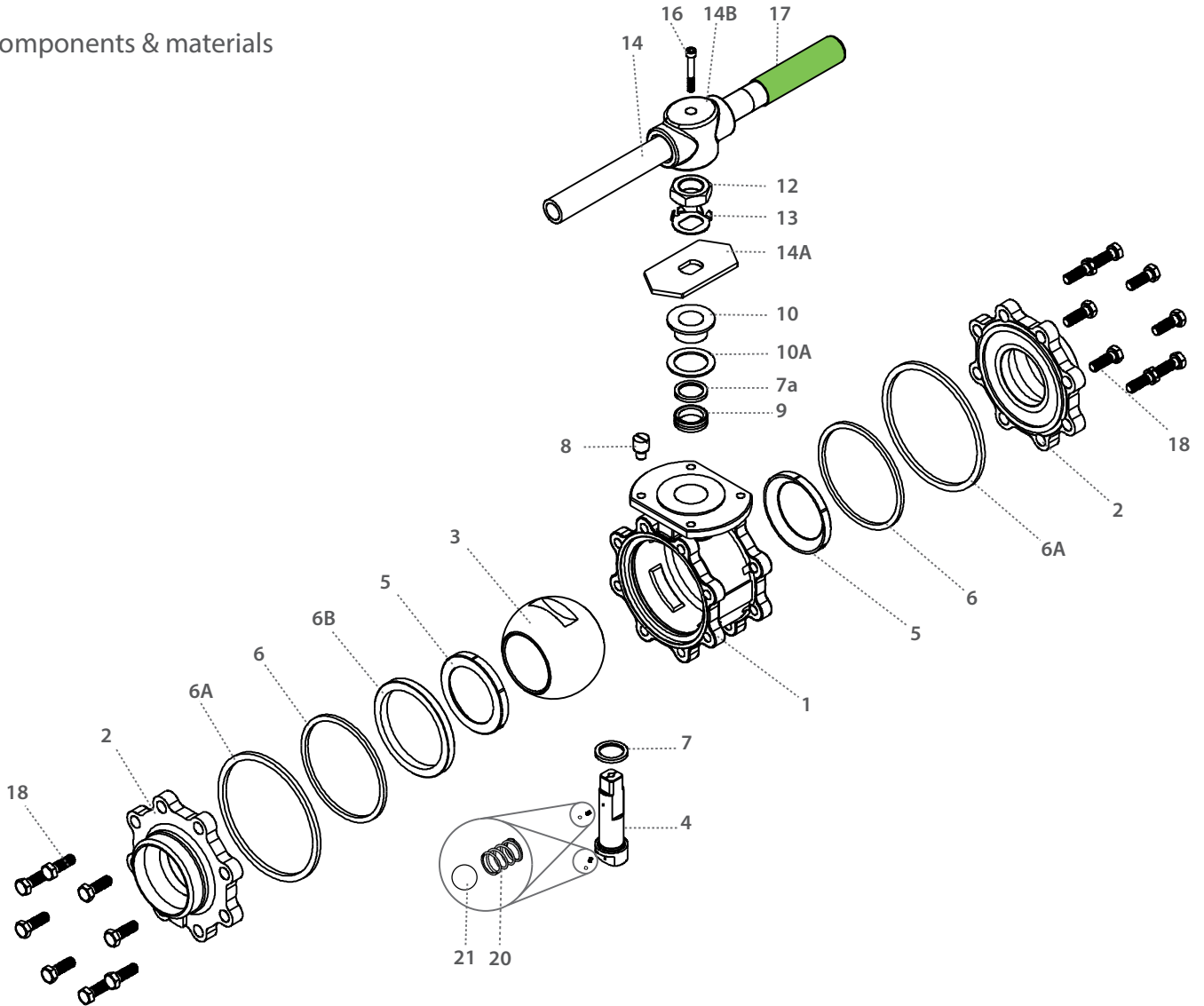
DIN 11850 Tube Sized

| Std. port | Unit | Ball port | Pipe ID | Pipe OD | A ETD | A TCD | B | C | D | H | S | W | M | M-DD | N | P | Q | F | TxL | Weight kg/lb | Kv Cv | |
|-----------|------|-----------|---------|---------|--------|--------|--------|--------|--------|--------|--------|--------|-------|-------|--------|-------|-------|-------|--------|--------------|---------------|-----------|
| DN65 | mm | 63.50 | 66.00 | 70.00 | 283.40 | 215.80 | 83.30 | 98.30 | 144.90 | 185.00 | 400.00 | 140.00 | 18.90 | 15.90 | 1"-14 | 16.70 | 22.70 | (F10) | 102.00 | M10X20 | 13.70 / 300 | 300 / 348 |
| 2½" | inch | 2.50 | 2.60 | 2.76 | 11.57 | 8.49 | 3.28 | 3.87 | 5.71 | 7.29 | 15.75 | 5.50 | 0.74 | 0.63 | UNS-2A | 0.66 | 0.89 | | 4.02 | M10X20 | 30.30 / 66.30 | 348 / 863 |
| DN80 | mm | 82.60 | 81.00 | 85.00 | 348.80 | 245.40 | 108.80 | 114.10 | 160.70 | 200.00 | 600.00 | 177.00 | 18.90 | 15.90 | 1"-14 | 16.70 | 22.70 | (F10) | 102.00 | M10X20 | 23.70 / 52.40 | 615 / 713 |
| 3" | inch | 3.25 | 3.19 | 3.35 | 13.73 | 9.66 | 4.28 | 4.49 | 6.33 | 7.89 | 23.62 | 6.97 | 0.74 | 0.63 | UNS-2A | 0.66 | 0.89 | | 4.02 | M10X20 | 52.40 / 66.30 | 713 / 863 |
| DN100 | mm | 100.00 | 100.00 | 104.00 | 390.00 | 268.80 | 123.00 | 124.00 | 170.50 | 211.00 | 600.00 | 217.00 | 18.90 | 15.90 | 1"-14 | 16.70 | 22.70 | (F10) | 102.00 | M10X20 | 30.00 / 66.30 | 744 / 863 |
| 4" | inch | 3.94 | 3.94 | 4.09 | 15.35 | 10.58 | 4.84 | 4.88 | 6.71 | 8.30 | 23.62 | 8.54 | 0.74 | 0.63 | UNS-2A | 0.66 | 0.89 | | 4.02 | M10X20 | 66.30 / 863 | |



ISO 1127 / DIN 11850 Floating Ball 3 Piece

Components & materials



| Item | Description | Material specification | Qty. |
|------|--------------------|------------------------|------|
| 1 | Body | Acc. Ordering Code | 1 |
| 2 | Ends | Acc. Ordering Code | 2 |
| 3 | Ball | Acc. Ordering Code | 1 |
| 4 | Stem | Acc. Ordering Code | 1 |
| 5* | Seat | Acc. Ordering Code | 2 |
| 6* | Inner seal | PTFE | 2 |
| 6A* | Outer seal | Acc. Ordering Code | 2 |
| 6B | Support ring | S. Steel | 1 |
| 7* | Stem thrust seal | VIRGIN PEEK, PCTFE | 1 |
| 7a* | Anti-abrasion ring | VIRGIN PEEK, PCTFE | 1 |
| 8 | Stop pin | S. Steel | 1 |
| 9* | Stem seal | CF PTFE, TFM | 1 |
| 10 | Follower | S. Steel | 1 |
| 10A* | Slide bearing | S. Steel | 1 |

| Item | Description | Material specification | Qty. |
|------|---------------------|------------------------|------|
| 11 | Disc spring | S. Steel | 2 |
| 12 | Stem nut | S. Steel | 1 |
| 13 | Tab lock washer | S. Steel | 1 |
| 14 | Handle | S. Steel | 1 |
| 14A | Stop plate | S. Steel | 1 |
| 14B | Wrench head | S. Steel | 1 |
| 16 | Wrench bolt | S. Steel | 1 |
| 17 | Sleeve | PVC | 1 |
| 18 | Body bolts | S. Steel | 8-12 |
| 20 | Anti-static spring | S. Steel | 2 |
| 21 | Anti-static plunger | S. Steel | 2 |
| 23 | Tag (not shown) | S. Steel | 1 |

* Repair kit components