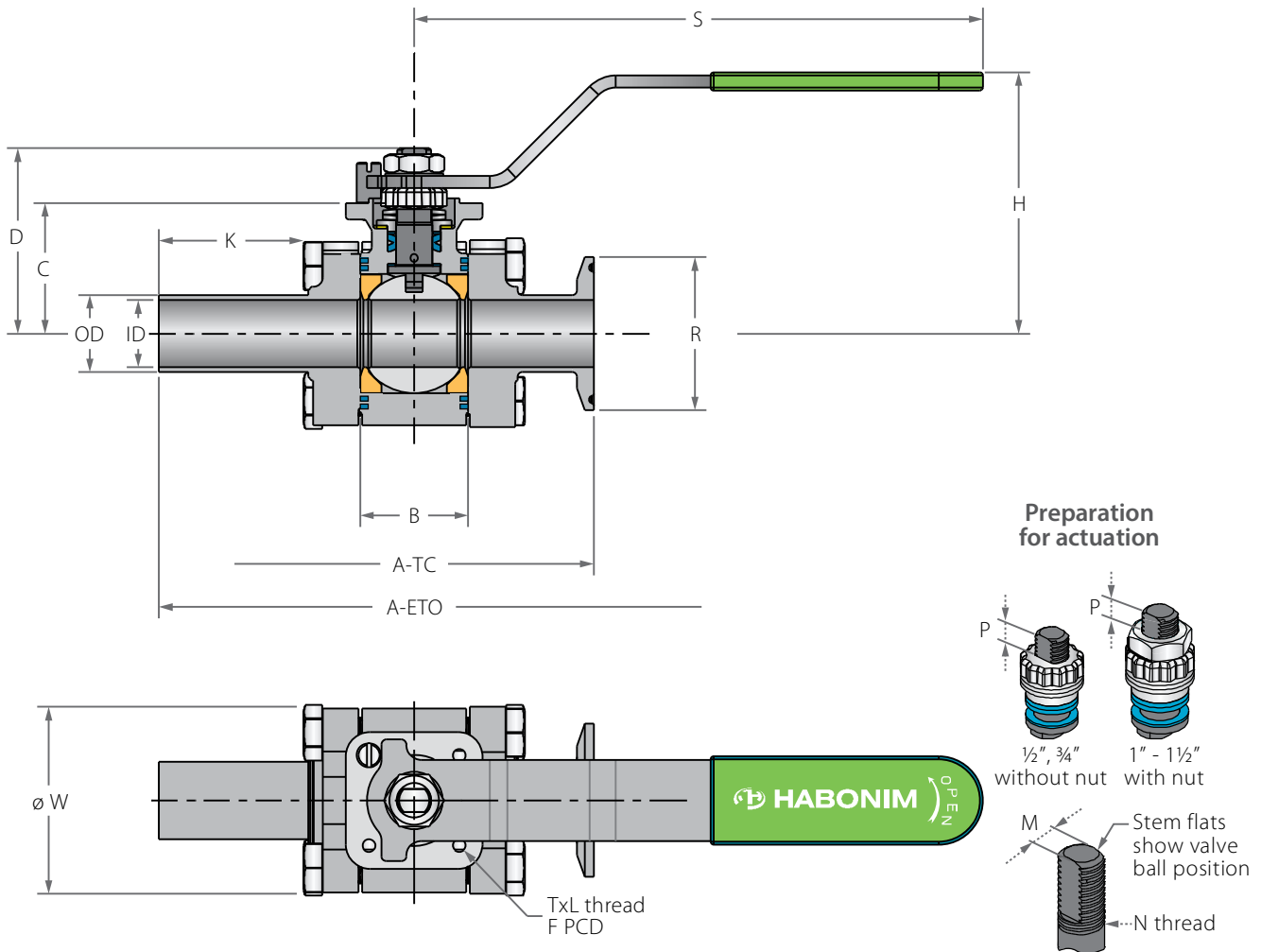


ASME BPE Floating Ball 3 Piece

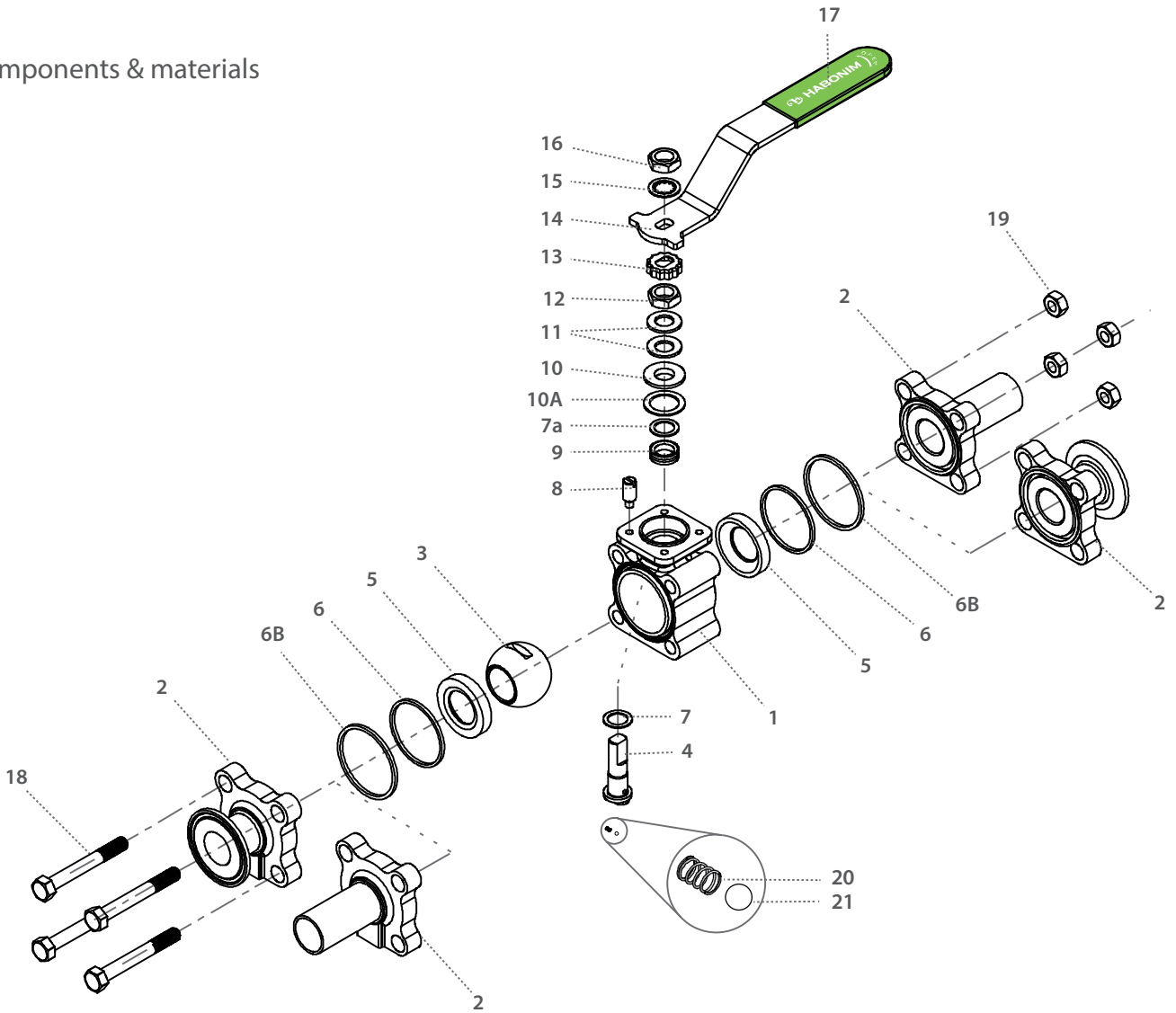
Valve dimensions



TuBore™ size	Unit	OD	ID	A ETO	A TC	B	C	D	H	K	S	W	RTC	M	N	P	F	TxL	Weight kg/lb	Kv Cv
DN15	mm	12.70	9.40	137.00	89.00	20.60	29.00	38.00	61.60	41.50	150.00	45.75	25.20	5.54	5/32"	6.65 (F03)	36.00	M5X10	0.90	8
1/2"	inch	0.50	0.37	5.39	3.50	0.81	1.14	1.50	2.42	1.63	5.91	1.80	0.99	0.22	UNF	0.26	1.42	M5X10	2.00	9
DN20	mm	19.05	15.75	147.00	102.00	24.60	36.00	45.00	67.90	43.90	150.00	52.10	25.20	5.54	5/32"	6.65 (F03)	36.00	M5X10	1.00	29
3/4"	inch	0.75	0.62	5.79	4.00	0.97	1.42	1.77	2.67	1.73	5.91	2.05	0.99	0.22	UNF	0.26	1.42	M5X10	2.10	34
DN25	mm	25.40	22.10	168.00	118.00	35.50	43.50	61.00	84.80	43.90	187.00	60.45	50.40	7.54	7/16"	7.40 (F04)	42.00	M5X10	1.70	53
1"	inch	1.00	0.87	6.61	4.65	1.40	1.71	2.41	3.34	1.73	7.36	2.38	1.98	0.30	UNF	0.29	1.65	M5X10	3.80	62
DN40	mm	38.10	34.80	186.00	141.00	50.00	55.50	85.00	107.10	44.00	236.00	79.15	50.40	8.71	1/16"	8.50 (F05)	50.00	M6X12	3.50	150
1 1/2"	inch	1.50	1.37	7.31	5.57	1.97	2.19	3.35	4.22	1.73	9.29	3.12	1.98	0.34	UNF	0.33	1.97	M6X12	7.70	175



Components & materials



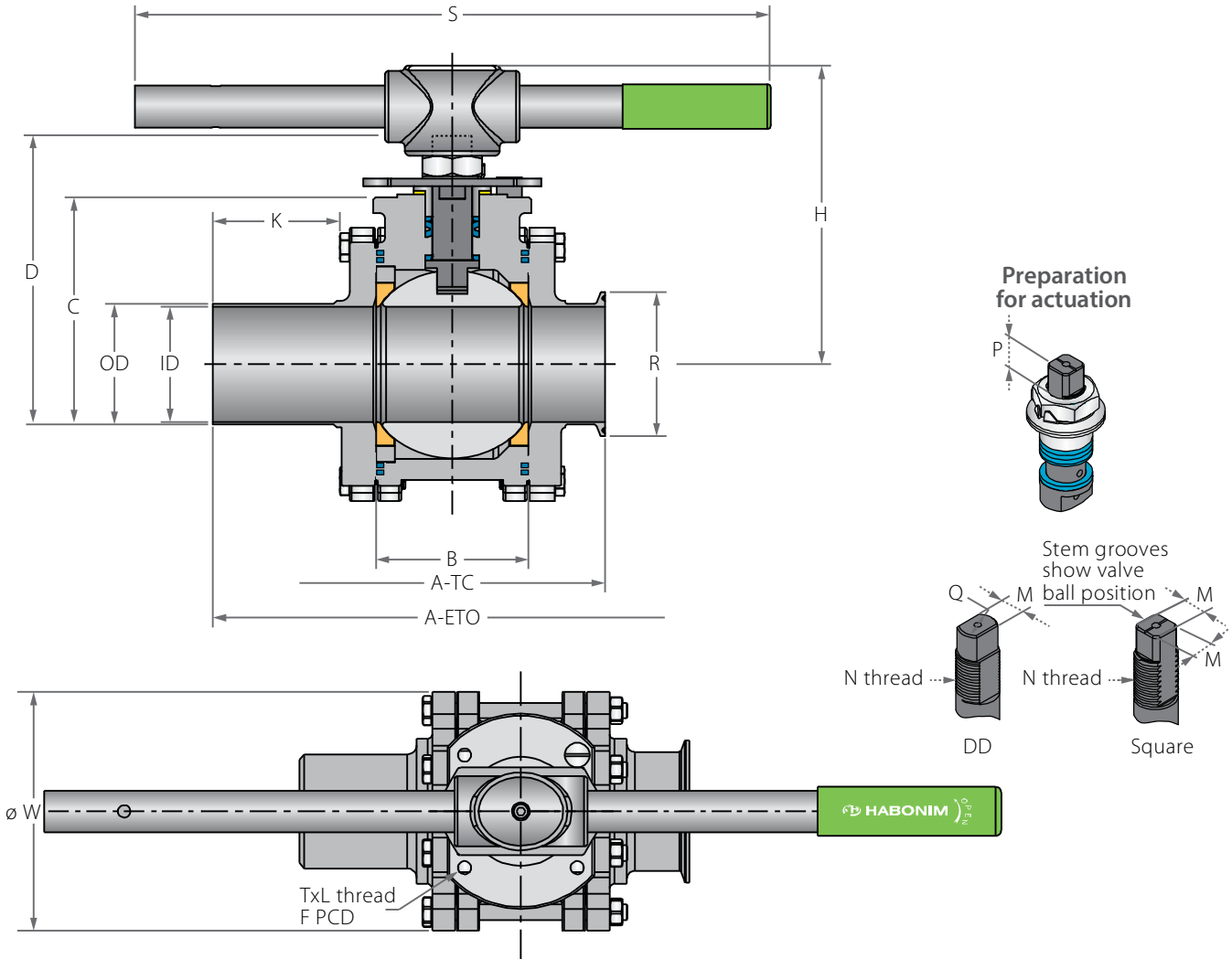
Item	Description	Material specification	Qty.
1	Body	Acc. Ordering Code	1
2	Ends	Acc. Ordering Code	2
3	Ball	Acc. Ordering Code	1
4	Stem	Acc. Ordering Code	1
5*	Seat	Acc. Ordering Code	2
6*	Body inner seal	PTFE	2
6B*	Body outer seal	Acc. Ordering Code	2
7*	Stem thrust seal	Virgin PEEK	1
7a*	Anti-abrasion ring	Virgin PEEK	1
8	Stop pin	S. Steel	1
9*	Stem seal	TFM	1
10	Follower	S. Steel	1
10A*	Slide bearing	S. Steel	1

Item	Description	Material specification	Qty.
11	Disc spring	S. Steel	2
12	Stem nut	S. Steel	1
13	Locking clip	S. Steel	1
14	Handle	S. Steel	1
15	Serrated washer	S. Steel	1
16	Handle nut	S. Steel	1
17	Sleeve	PVC	1
18	Body bolt	S. Steel	4
19	Body nut	S. Steel	4
20	Anti-static spring	S. Steel	1
21	Anti-static plunger	S. Steel	1
23	Tag (not shown)	S. Steel	1

* Repair kit components

ASME BPE Floating Ball 3 Piece

Valve dimensions

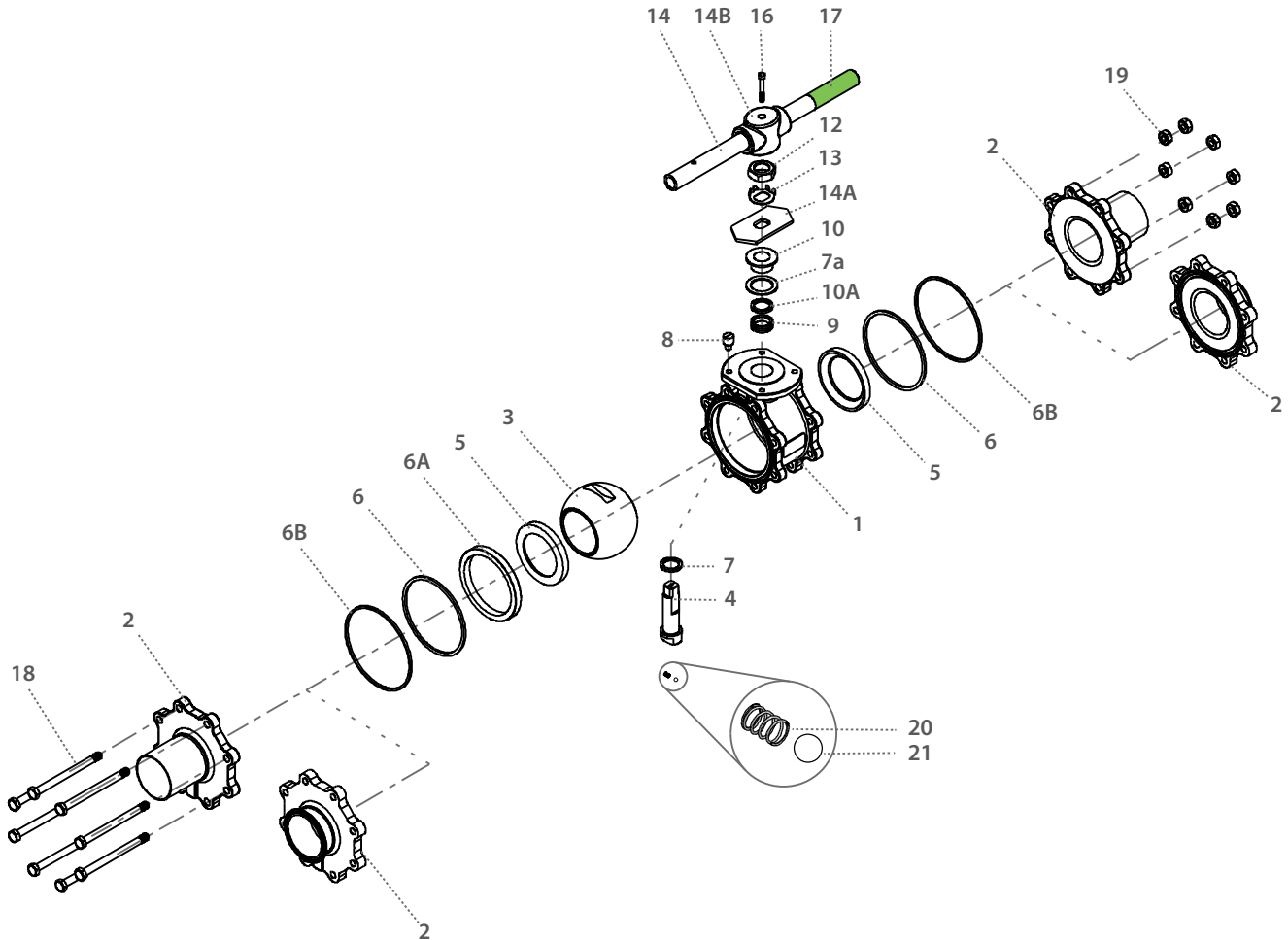


TuBore™ size	Unit	OD	ID	A ETO	A TC	B	C	D	H	K	S	W	RTC	M	M-DD	N	P	F	TxL	Weight kg/lb	Kv Cv
DN50	mm	50.80	47.50	223.00	184.00	72.70	70.00	112.10	143.10	45.00	256.00	108.00	64.20	-	13.90	M20x2.5	14.60 (F07)	70.00	M8X12	9.40	410
2"	inch	2.00	1.87	8.77	7.23	2.86	2.76	4.41	5.63	1.77	10.08	4.25	2.53	-	0.55	M20x2.5	0.57	2.76	M8X12	20.80	480
DN65	mm	63.50	60.20	250.40	169.10	83.35	98.30	144.90	185.10	57.20	401.00	153.10	77.40	18.90	15.90	1"-14	16.70 (F10)	102.00	M10X20	13.70	581
2½"	inch	2.50	2.37	10.00	6.66	3.28	3.87	5.70	7.29	2.25	15.79	6.03	3.05	0.74	0.63	UNS-2A	0.66	4.02	M10X20	30.30	680
DN80	mm	76.20	72.90	302.00	193.00	96.40	105.50	152.20	192.40	70.00	401.00	172.80	90.90	18.90	15.90	1"-14	16.70 (F10)	102.00	M10X20	17.70	748
3"	inch	3.00	2.87	11.90	7.60	3.80	4.15	5.99	7.57	2.75	15.79	6.80	3.58	0.74	0.63	UNS-2A	0.66	4.02	M10X20	39.10	875
DN100	mm	101.60	97.38	317.50	236.20	123.00	124.00	170.60	210.80	61.00	619.00	216.80	118.90	18.90	15.90	1"-14	16.70 (F10)	102.00	M10X20	31.30	1333
4"	inch	4.00	3.83	12.50	9.30	4.84	4.88	6.71	8.30	2.40	24.37	8.54	4.68	0.74	0.63	UNS-2A	0.66	4.02	M10X20	69.20	1560
DN150	mm	152.40	146.86	460.00	328.00	180.00	179.00	248.50	303.00	82.00	916.50	326.80	166.50	28.45	23.75	1½"-12	26.20 (F12)	125.00	M12x20	78.00	3218
6"	inch	6.00	5.78	18.11	12.91	7.09	7.05	9.78	11.93	3.23	36.08	12.87	6.56	1.12	0.94	UNF-1A	1.03	4.92	M12x20	172.00	3765



ASME BPE Floating Ball 3 Piece

Components & materials



Item	Description	Material specification	Qty.
1	Body	Acc. Ordering Code	1
2	Ends	Acc. Ordering Code	2
3	Ball	Acc. Ordering Code	1
4	Stem	Acc. Ordering Code	1
5*	Seat	Acc. Ordering Code	2
6*	Body seal	PTFE	2
6A	Support ring	S. Steel	1
6B*	Body outer seal	Acc. Ordering Code	2
7*	Stem thrust seal	Virgin PEEK	1
7a*	Anti-abrasion ring	Virgin PEEK	1
8	Stop pin	S. Steel	1
9*	Stem seal	TFM	1
10	Follower	S. Steel	1
10A*	Slide bearing	S. Steel	1

Item	Description	Material specification	Qty.
11	Disc spring	S. Steel	2
12	Stem nut	S. Steel	1
13	Tab lock washer	S. Steel	1
14	Handle	S. Steel	1
14A	Stop plate	S. Steel	1
14B	Wrench head	S. Steel	1
16	Wrench bolt	S. Steel	1
17	Sleeve	PVC	1
18	Body bolt	S. Steel	8-12
19	Body nut	S. Steel	8-12
20	Anti-static spring	S. Steel	1
21	Anti-static plunger	S. Steel	1
23	Tag (not shown)	S. Steel	1

* Repair kit components