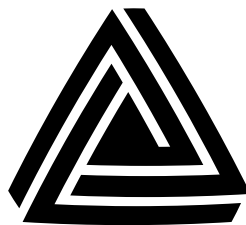


Instruction Manual

RODEM®

PROCESS EQUIPMENT

www.rodem.com 800-543-7312

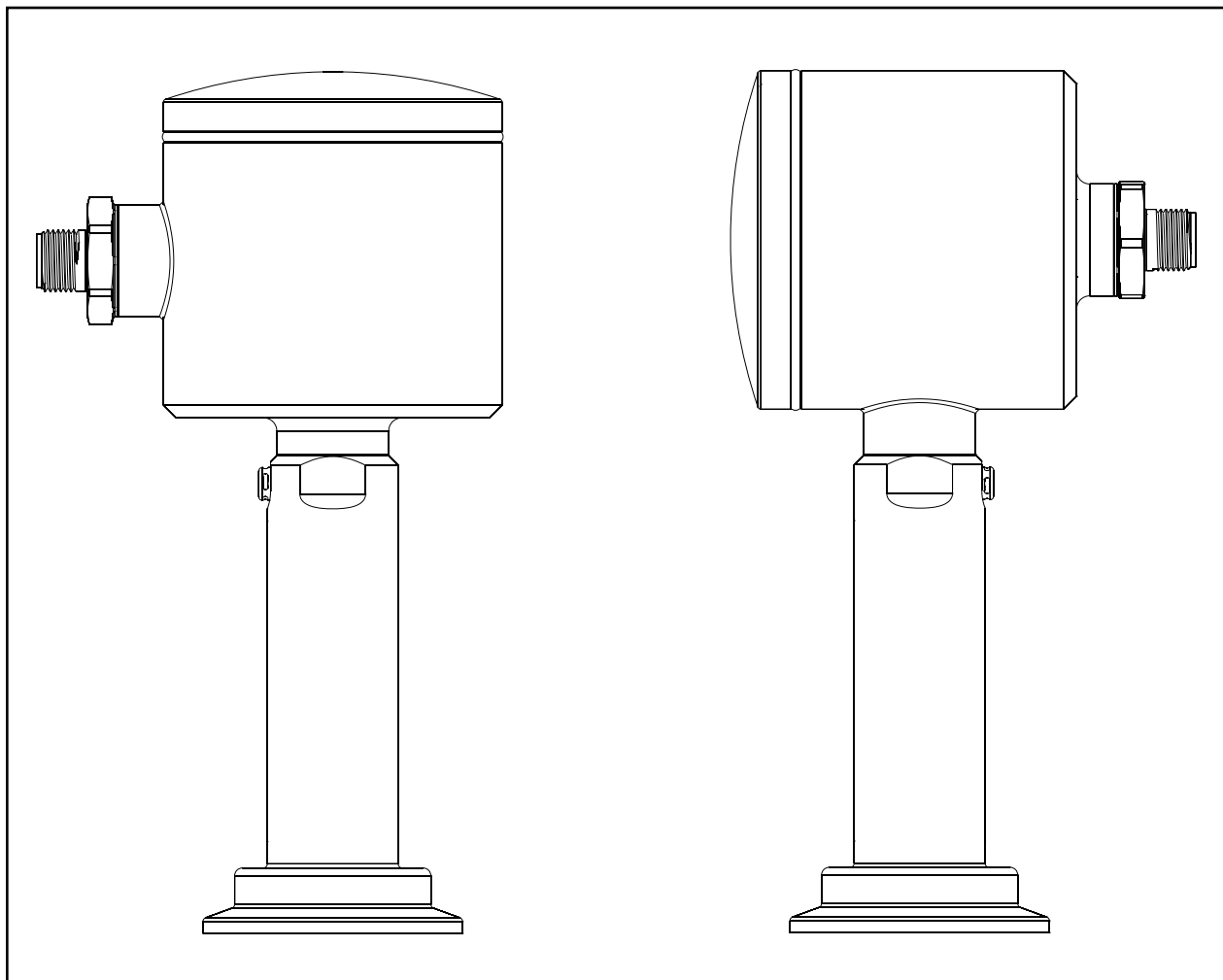


ANDERSON-NEGELE

Anderson Instrument Co. Inc.
156 Auriesville Road
Fultonville, NY 12072
1-800-833-0081
Fax 518-922-8997

Instrument Model Number _____

Instrument Serial Number _____



"MPF" Modular Pressure Transmitter

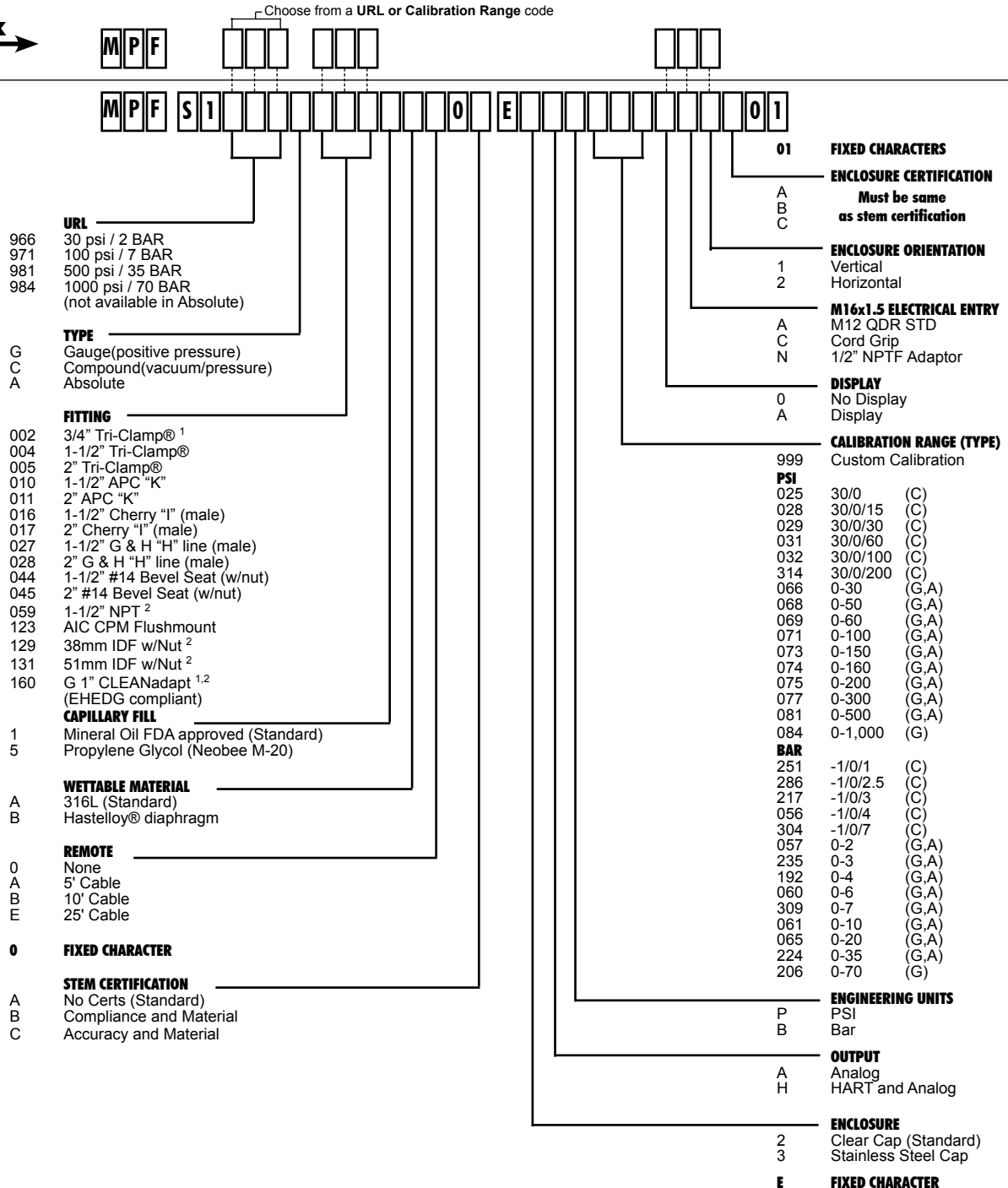
	Table of Contents
Section 1 - Introduction	6
1.1 Specifications	6
1.2 Warnings	7
Section 2 - Theory of Operation, Description and Intended Use	9
Section 3 - Installation	9
Section 4 - Sensor Wiring	10
Section 5 - Instrument Wiring	11
5.1 LOOP POWER	11
Section 6 - Modular Assembly	12
6.1 Electronic puck replacement	12
6.2 Separation of measurement cell (stem) from enclosure	12
6.3 Reorientation of enclosure to stem	12
6.4 Remote Kit and MPFs equipped with remote configuration	13
Section 7 - Configuration	14
7.1 - Configuration (without display) - Native Units, Output, Range, Dampening	14
7.1.1 Display Mode: 4-20mA or Process Variable	14
7.1.2 Native Units: PSI or Bar	14
7.1.3 Output: 4mA – 20mA or 20mA – 4mA	14
7.1.4 Pressure Range	15
7.1.4.1 LRV: Lower range value	15
7.1.4.2 URV: Upper range value	15
7.1.5 Output Damping	15
7.1.6 Factory configuration reset	15
7.2 - Configuration (with display interface) - Native Units, Output, Range, Damping, Alarms, Display Units	16
7.2.1 Run Mode:	16
7.2.2 Native Units: PSI or Bar	16
7.2.3 Output: 4mA – 20mA or 20mA – 4mA	17
7.2.4 Pressure Range	17
7.2.41 LRV: Lower range value	17
7.2.42 URV: Upper range value	17
7.2.5 Output Damping	17
7.2.6 Setting Alarms – Alarms are visual indication only if MPF is not optioned with relays	18
7.2.7 Setting display process variable	18
7.2.8 Setting display process variable marquee time	18
7.2.9 Factory configuration reset	19
Section 8 - Calibration	20
8.1 CALIBRATION – Zero	20
8.2 CALIBRATION - Range	20
8.2.1 Custom calibration range – GAUGE STEM, 4 point	21
8.2.2 Custom calibration range – GAUGE STEM, 2 point	22
8.2.3 Custom calibration range – COMPOUND STEM, 4 point	22
8.2.4 Custom calibration range –COMPOUND STEM, 2 point	23
8.2.5 Custom calibration range – ABSOLUTE STEM, 4 point	23
8.2.6 Custom calibration range –ABSOLUTE STEM, 2 point	24
8.3 Calibration –Milliamp Meter	24
Section 9 - Maintenance/Diagnostics	25
Section 10 - HART Communicator Connection & DD (Device Descriptor) Menu Structure	27
10.1 Attaching HART Communicator	27
10.2 HART DD Menu Structure	27
Section 11 - Warranty and Return Statement	31

HOW TO ORDER (complete unit)

Quick Order Instructions: Quick order numbers may be used when standard no charge features are selected. All choices omitted and not covered below default to the standard option. If a choice other than the standard option is required, the full part number must be utilized.

- 1) Select desired **URL** or **CALIBRATION RANGE** 3 place code
 - a) If URL is selected TYPE will default to Compound and will be calibrated from 0 psig to max range
 - b) If CALIBRATION RANGE is selected, Sensor type will default to (C) Compound or (G) Gauge depending on range
- 2) Select **FITTING** 3 place code
- 3) Select fixed "0", **ELECTRICAL ENTRY** and **ENCLOSURE ORIENTATION**

Quick Part →

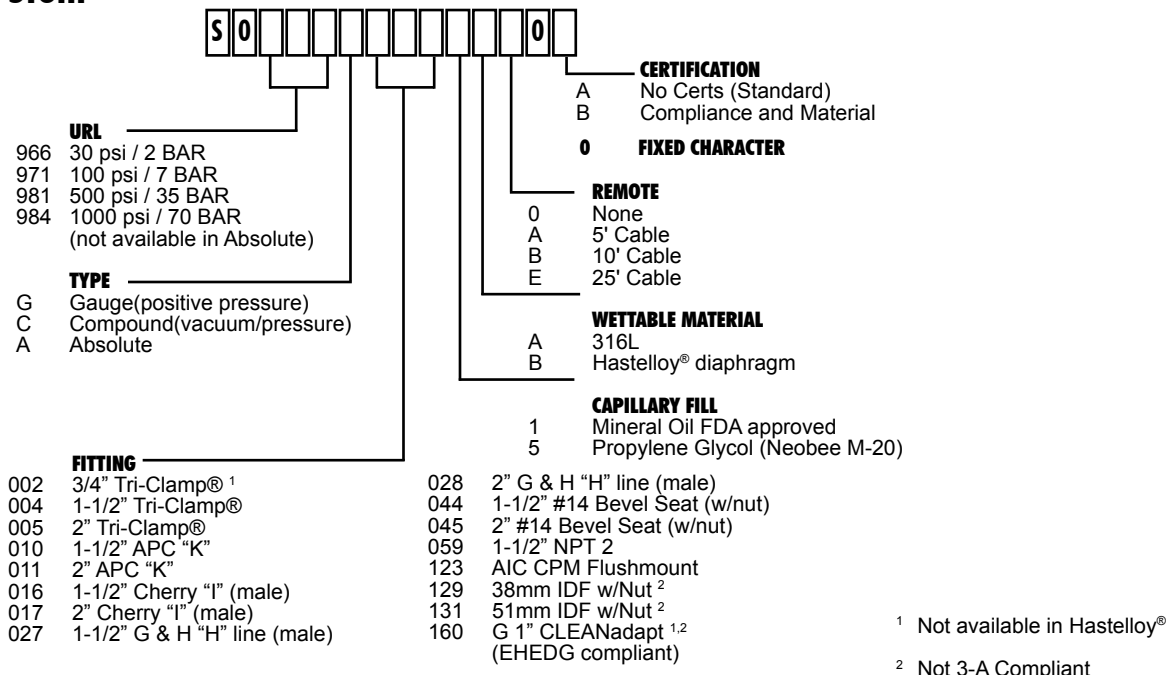


¹ Not available in Hastelloy®

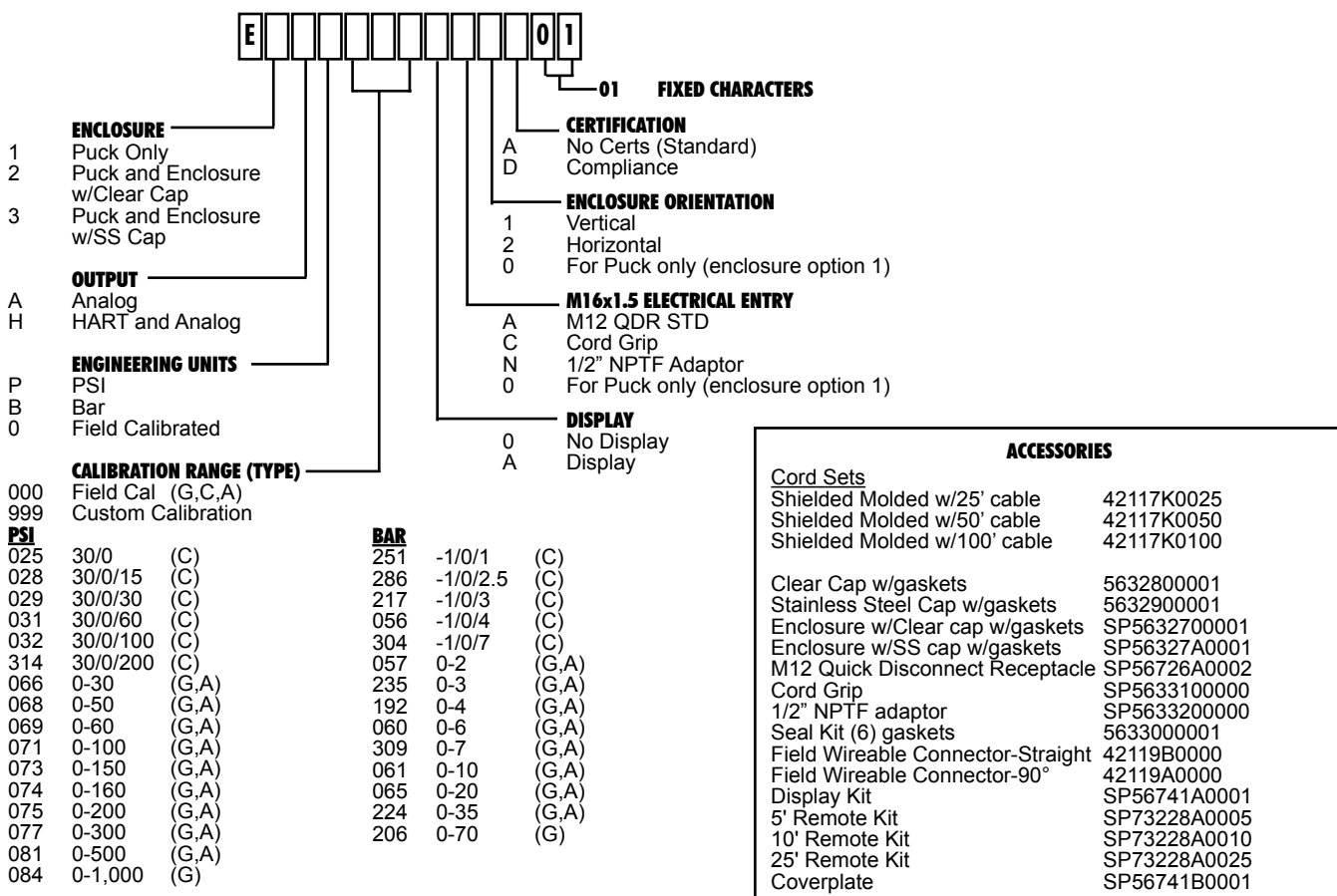
² Not 3-A Compliant

HOW TO ORDER (modular components)

Stem



Puck/Enclosure



Section 1 - Introduction

1.1 Specifications

PERFORMANCE MECHANICAL & ELECTRICAL:

Calibrated Accuracy: ± 0.10% of calibrated range up to 5:1 turndown
(± 0.15% if over 5:1 turndown)

Repeatability: 0.05% as calibrated

Long Term Stability: 0.2% URL for 2 years

Process Temperature Effect: ± 0.1 psi/10°F (5.5°C) typical

Ambient Temperature Effect: ± 0.1 psi/10°F (5.5°C) typical

Over-Range Capability: 30/100/500 psi stem:
1.5x URL no effect on accuracy
2x URL to failure

1000 psi stem:
1.1x URL no effect on accuracy
1.25x URL to failure

Response Time: <100 Milliseconds

Sampling Rate: <50 Milliseconds

Damping: Menu adjustable

Range Turndown Capability: 10 to 1 turn down from URL

Ranges, URL (PSI): 30,100,500,1K gauge and compound 30,100,500 absolute

Ranges, URL (BAR): 2,7,35,70 gauge and compound 2,7,35 absolute

ENVIRONMENTAL:

Process Temperature Limits: 0 to 350°F (-18 to 177°C) with ambient temperatures to 140°F (60°C) and 0 to 330°F (0 to 71°C) with ambient temperatures to 160°F (71°C)

Ambient Temperature Limits: 32 to 160°F (0 to 71°C)

Enclosure Protection: Designed and factory tested to NEMA 4X & IP66; (IP69K when equipped with QDR); Suitable for use in wet locations at up to 100% relative humidity.

CONSTRUCTION / FINISH:

Product Contact: 316L finished to a Min. Ra =25 microinches. Optional: Hastelloy® diaphragm

Non-Product Contact Metal: 304 finished to a Min. Ra =32 microinches

Non-Product Contact Plastic: polycarbonate threaded cap. Delrin atmospheric vent

Wiring Connection: M16 x 1.5 threaded housing electrical entry
Equipped with:
Standard - replaceable M12 5 pin Eurofast QDR
Optional - M16 Cord Grip, M16 x 1.5" NPTF adaptor

OPERATIONAL:

Internal Fill: ETR (Extended Temperature Range) FDA approved mineral oil, Optional Neobee 20®

Output: 2 wire user selectable 4-20 mA DC or 20-4 mA
Optional - HART 7.0 digital communications protocol

Internal Display: 4 digit LED nominally displays loop current. Process variable selectable - PSI or BAR.

Display Interface: Optional; modular field replaceable. Millibar, Torr & Kg/cm2, PSI, BAR, kPA, In H2O, In Hg, mm H2O, mA

Loop Resistance: 0-300 ohms at 24 VDC

Electrical Connection: screw terminals with a conductor cross section range of 14-26 AWG

Recommended Cable: Anderson shielded molded cordset, alternatively: 22-24 AWG, foil shielded, 0.17 - 0.26" Cable Sheath OD for use with cord grip or field wiring connector

Electrical Protection: Voltage spike and reverse polarity

Operating Voltage: 24 VDC (18-36 VDC) regulated or unregulated

Input Current Rating: 50mA

Zero Adjustment: one touch

Re-Span: With switch through user interface & with or without a reference pressure source

Electronics Puck: Modular, field replaceable

Fitting & Sensor Stem: Modular, field replaceable

APPROVALS AND DOCUMENTATION

Sanitary: Authorized to display the 3-A Symbol, Third Party Verified, standard 74-03

Compliance: Compliant with the Pressure Equipment Directive relative to Sound Engineering Practices (PED)
HART 7.0 Compatible
CSA-B51-03
CRN# CSAOF9754.5R1
ETL Listed
Conforms to UL Std 61010-1 3rd Ed (with Enclosure option #3 only)
Certified to CSA Std C22.2 61010-1 3rd Ed (with Enclosure option #3 only)

Warranty: 2 years

1.2 Warnings



Warning!

This unit accepts DC voltage only, connection to AC voltage can cause failure of the sensor and/or risk of electrocution



Warning!

Do not remove this sensor from the process while it is operating. Removal while the process is operating can contaminate the process and could cause human injury.



Warning!

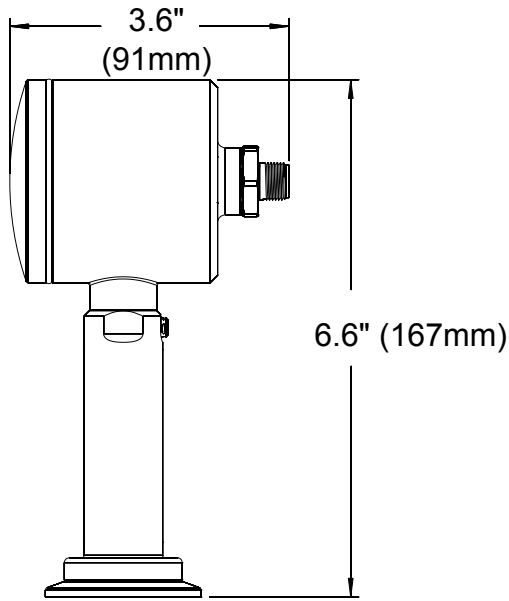
Do not subject this sensor to pressure that exceeds the specified upper range limit. Over-pressure may cause premature failure, incorrect output signal, or possible human injury.



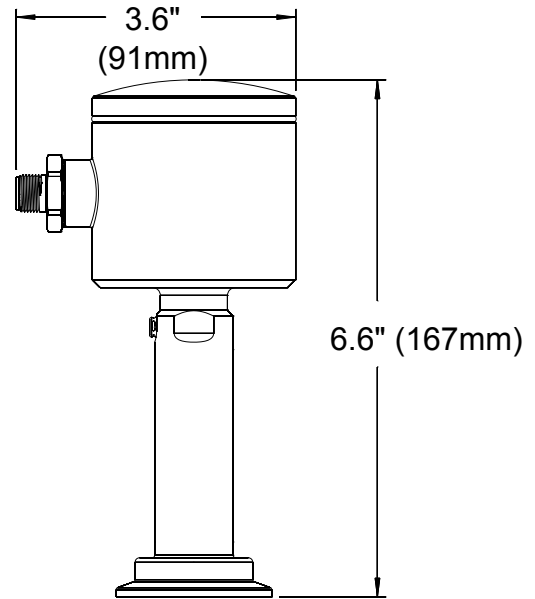
Warning!

Before removing for service or calibration, ensure that residual product has been flushed from the line and that internal pressure has returned to atmospheric pressure.

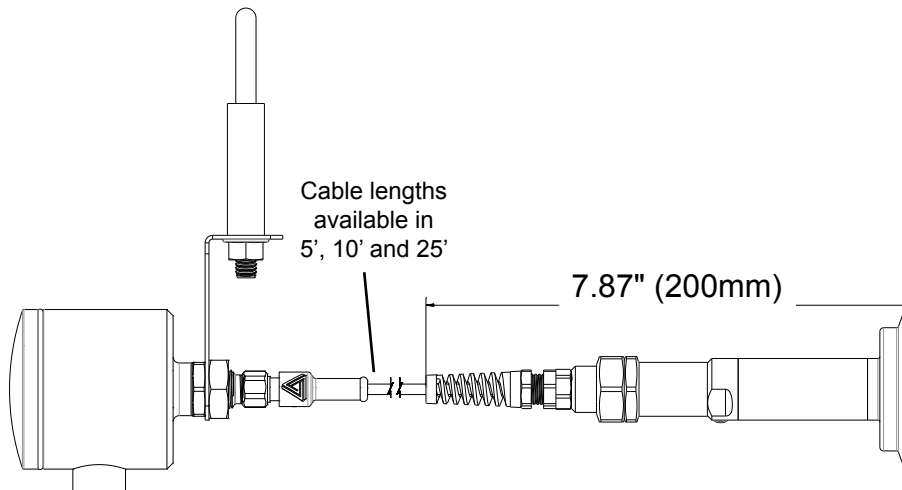
Figure 1 - Dimensional Drawings



Horizontal Orientation



Vertical Orientation



Remote Version

Section 2 - Theory of Operation, Description and Intended Use

The Anderson Modular Pressure Transmitter (MPF) may be utilized for applications in which a process variable of pressure must be converted to an electronic signal. This unit utilizes an internal pressure transducer to convert the process measurement into a corresponding mV signal. The mV signal then passes through custom linearization and conditioning circuitry. The resulting signal is an industry standard 4-20 mA. This mA signal is factory set over the specified range of the unit. From here the signal may be sent to an Anderson digital display, microprocessor based controller, chart recorder, or customer supplied instrumentation. An integral diagnostic interface provides menu feedback, visually displays diagnostic error codes and nominally measures and displays either the loop current or process variable in PSI or BAR. In addition, the MPF may be supplied with a modular display interface for readout directly at the process location.

The MPF Transmitter has been specifically designed for use in Dairy, Food or Beverage applications where accurate and repeatable pressure measurement is required. The measurement cell is integral to a welded sanitary diaphragm seal that is available in a variety of industry standard fitting styles and sizes. The process pressure deflects the metal diaphragm, transmitting the pressure to a transducer cell. The output signal, which is proportional to the process pressure, is then measured and processed.

The MPF transmitter is only to be used for the application that it has been designed, dimensioned and built for. The electrical connection must be to a direct current network (see the nameplate).

The intended purpose of the MPF is the measurement of process pressure in the food processing, beverage, pharmaceutical and chemical industries. This transmitter is not suitable for the measurement of hazardous, explosive, and combustible liquids of the PED group.

Any modifications to the transmitter that might have an influence on the function and the safety features of the transmitter are only allowed to be carried out by authorized persons of Anderson Instrument Company. Possible misuse including any use in contradiction to the above-mentioned application is an indication of misuse of the measuring instrument!

In such a case Anderson does not assume any responsibility for safety.

Section 3 - Installation

Caution: For proper mounting of this sensor, verify that the fitting connection type, size, gasket or seal, and holding ring or clamp match the process connection it is being mounted to. Improper mounting can cause process leakage, reduced pressure ratings, and/or contamination issues.

Caution: Handle with care during installation to avoid damage to the sensor. Physical damage, especially to the sensing surface or probe can cause incorrect output signal or premature failure.

Caution: Do not expose the sensor to process or ambient temperatures that exceed the rated specifications. Physical damage, incorrect output signal, or premature failure may result.

The physical installation is the most important concern with regards to promoting sensor reliability. Sensors must be installed in such a way that the housing and cable is not subject to physical abuse. In addition, moisture or moist air must not be allowed to enter the sensor housing or cable.

NOTE: The installer assumes responsibility for preventing water or water-vapor from entering the sensor housing by proper installation of the cap and appropriate cable preparation. Units equipped with M12 Quick Disconnects are rated to NEMA 4X and IP69X. Cable gland equipped units are rated to NEMA 4X and IP66.

To facilitate electrical connections, your new MPF transmitter may be supplied with a 5pin M12 quick disconnect receptacle, a M16 cable gland, or a ½" NPTF threaded adaptor. If mounted horizontally, the cable connection should point downward. Also, to prevent entry of excessive moisture, it is highly recommended that flexible conduits not be connected directly to the sensor. If conduit is to be run to the sensor, it is preferable that the watertight connector provided with each sensor not be removed from the sensor. Instead, run the flexible conduit as near to the sensor as possible and utilize a seal-tight connector at the end of the conduit. Allow a short amount of cable to run between the sensor and the flexible conduit. This isolates the sensor housing from the conduit system and any moisture it may contain. If the conduit is connected directly to the sensor, the chances are high that the sensor will eventually fail due to excessive water or water vapor entry into the housing.

NOTE: It is recommended that a sensor "ZERO" be performed at time of installation. Refer to section 8.1, page 16 for information on this procedure.

Section 4 - Sensor Wiring



Warning! This unit accepts DC voltage only, connection to AC voltage can cause failure of the sensor and/or risk of electrocution

For wet environments requiring IP67 or greater environmental protection Anderson strongly recommends using available Anderson shielded molded cord-sets utilizing 5 pin M12 eurofast design quick disconnect. Anderson supplied cable meets all requirements for shielding and compatibility with MPF quick disconnect receptacle.

Anderson recommends a cable of 24 gauge, 4 conductor, shielded (Belden #9534) or equivalent. Four conductor cable is utilized because of its roundness, which provides a suitable seal when used with seal-tight connectors, strain reliefs and rubber grommets. Irregular shaped cable does not allow for a watertight seal.

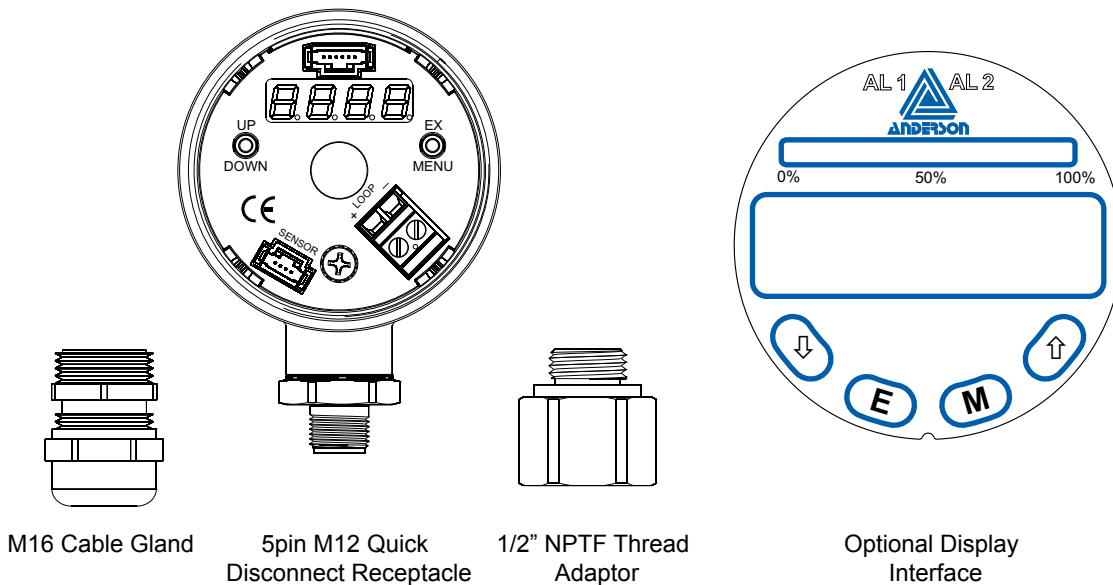
If utilizing customer supplied cable, select a round cable with 22-24 AWG wire and a shield. In order for the Anderson provided seal-tight connector to seal on the cable, the O.D. of the cable must be between 3/16" and 1/4". If smaller cable is utilized, a different neoprene bushing must be used (must be customer supplied).

If an alternate seal-tight type connector is going to be used, be absolutely certain that the rubber bushing will adequately seal on the cable. Do not use a connector intended for power cable (large inside diameter) if the sensor cable is only 1/4". Be sure to use Teflon thread tape when attaching the new seal-tight connector.

Wiring to the conduit housing sensors is accomplished as follows:

1. Remove the housing cap and lift out cover plate or display (optional) to expose the wiring terminal block. Exercise care when disconnecting ribbon connectors.
2. Insert the cable through the seal-tight connector, stripping back approximately 2 inches of sheathing to expose the wires.
3. Two wires will be utilized for connections at the transmitter end of the loop. Normal color codes being RED (Loop +) and BLACK (Loop -). Trim off all unused wires, including the bare shield ground wire. To prevent a GROUND LOOP condition, be sure the shield material and the shield ground wire do not touch the sensor housing. Use an insulator such as electrical tape or heat shrink tubing if necessary.
4. Strip the tips of the remaining wires back approximately 3/8 of an inch and twist strands (tinning is highly recommended).
5. Using Figure 2, make the proper connections to the wiring connector (located inside the housing)

Figure 2 - Wiring Terminal Connections



M16 Cable Gland

5pin M12 Quick Disconnect Receptacle

1/2" NPTF Thread Adaptor

Optional Display Interface

Section 5 - Instrument Wiring

With the proper wiring connections made at the sensor end of the loop, it is now time to make final connections at the instrument end of the loop. The MPF may feed instruments such as Anderson digital display, microprocessor based controllers, chart recorders, or customer supplied instrumentation.

5.1 LOOP POWER

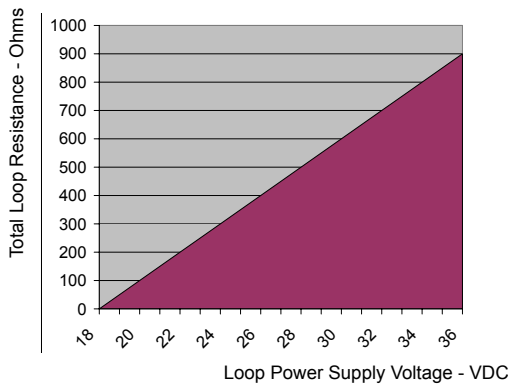
The Anderson MPF requires loop power for operation. Ratings are as follows:

MPF Transmitter: 18-36 VDC (Absolute), 24 VDC Nominal, regulated or unregulated

As inherent resistance associated with cable length and signal receiver input may affect operation of the transmitter, Figure 3 shows some guidelines for loop power required.

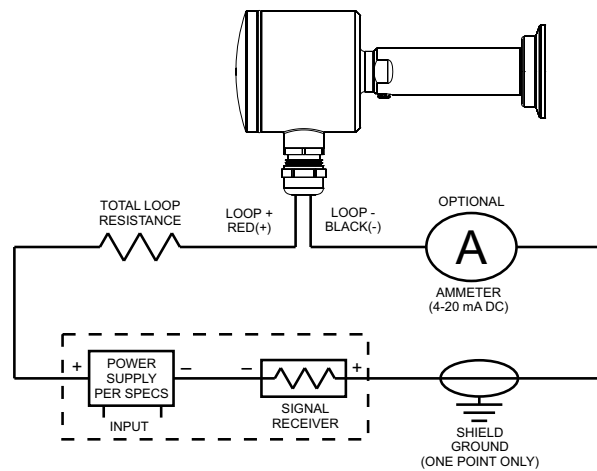
Caution: Attempting to disconnect or change wiring to this sensor during process operation can cause loss of signal to the control system!

FIGURE 3 - Loop Power Guidelines



Please consult the Installation/Service Manual that was provided with your receiver for specific wiring instruction. Most Anderson receiver (displays, chart recorders, etc.) are capable of supplying loop power. Typical wiring would be as follows:

FIGURE 4 - Sensor Wiring



Section 6 - Modular Assembly

The MPF transmitter consists of two distinct sections, enclosure and stem that individually are comprised of one or more components. Field replacement of these components is possible to accommodate orientation reconfiguration and component replacement.

6.1 Electronic puck replacement

Puck replacement may be accomplished at the application site assuming sufficient clearance is available.

1. Remove wire cover plate or if equipped with display squeeze clip connector and remove display ribbon from socket on puck.
2. If equipped with M12 QDR (quick disconnect receptacle) remove conductors from wiring connector and unscrew receptacle from enclosure. Factory torque spec is 20ft-lbs.
3. Squeeze clip connector and remove sensor ribbon from socket on puck
4. Unscrew ground lug, slide puck out of enclosure
5. Reverse to install

6.2 Separation of measurement cell (stem) from enclosure

This proceed will require immobilizing the enclosure. If a vice is used steps should be taken to protect the surface of the enclosure

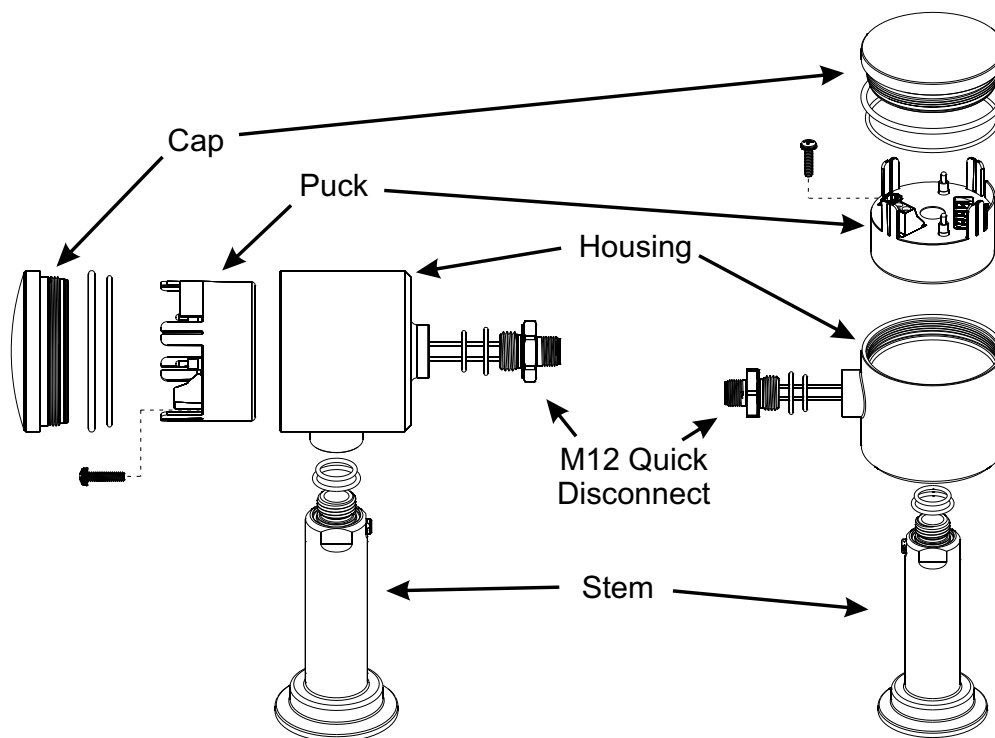
1. Squeeze clip connector and remove sensor ribbon from socket on puck
2. Unscrew stem from enclosure. Factory torque spec is 20ft-lbs.
3. Reverse to install

6.3 Reorientation of enclosure to stem

The threaded penetrations of the enclosure allow orientation in either a horizontal or vertical arrangement.

1. Complete steps 1 - 3 of 6.1 above
2. Unscrew stem from enclosure. Factory torque spec is 20ft-lbs
3. Reassemble stem to desired enclosure penetration. Factory torque spec is 20ft-lbs
4. Connect ribbon cable connector to puck receptacle located next to ground lug.
5. Reassemble M12 QDR (if equipped) to remaining penetration and install conductors. Factory torque spec is 20ft-lbs

FIGURE 5 - Exploded View



6.4 Remote Kit and MPFs equipped with remote configuration

The MPF series may be configured or retrofitted with remote cabling allowing the housing and display (if equipped) to be mounted up to 25 feet from the process connection. The remote cabling preserves the modular design and may be removed or added from the MPF at the user's discretion.

Adding the Remote kit. Refer to Figure 6.

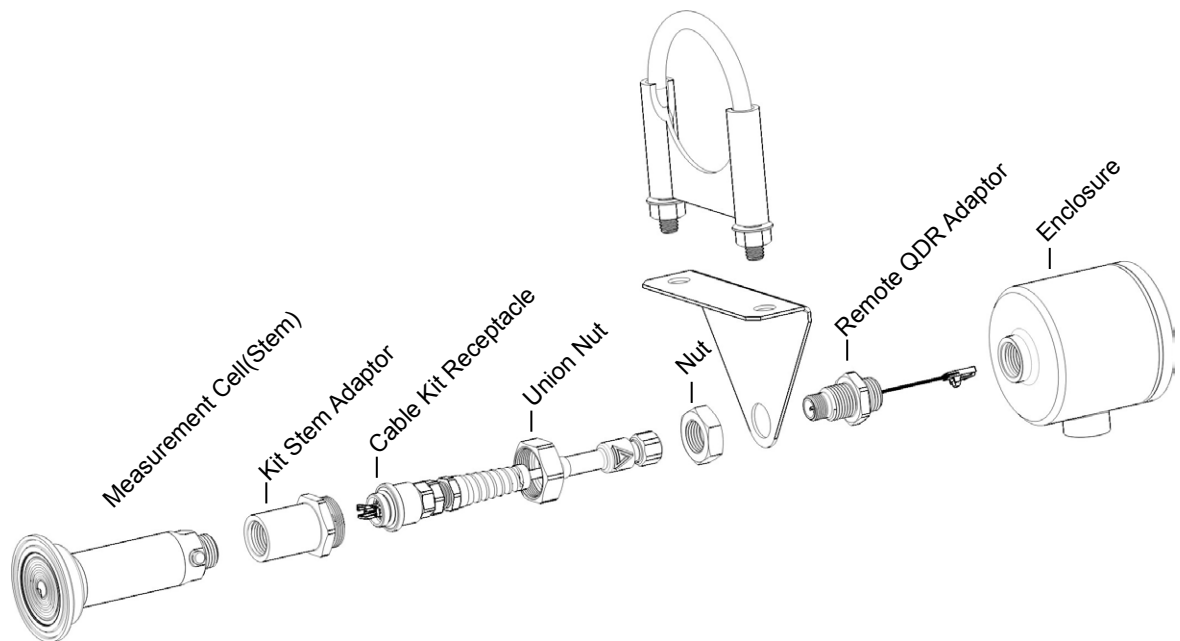
Note: all threaded connections to be torqued to 20ft-lbs

1. Separate the measurement cell (stem) from enclosure
 - a. Remove wire cover plate or if equipped with Display Interface squeeze clip connector and remove display ribbon
 - b. Squeeze clip connector and remove sensor ribbon from socket on puck
 - c. Unscrew stem from enclosure. Utilize care extracting ribbon cable.
2. Attach remote kit cabling to measurement cell stem
 - a. Route stem ribbon cable through kit stem adaptor. Screw on adaptor
 - b. Connect ribbon cable connector to cable kit receptacle and carefully fold excess ribbon cable into stem adaptor
 - c. Insert cable kit fitting into stem adaptor. Secure by threading on union nut
3. Attach remote QDR adaptor to desired enclosure opening
 - a. Carefully insert ribbon cable through enclosure opening
 - b. Screw remote QDR adaptor into place
 - c. Connect ribbon cable connector into sensor receptacle on puck
4. Attach pipe mount adaptor to remote QDR adaptor and secure with nut. Position as required.
5. Attach remote kit M12 plug to remote QDR adaptor

Reverse to un-install.

WARNING – To avoid possible ribbon cable damage, remove union nut and unplug ribbon from socket before removing stem adaptor from stem.

Figure 6 - Remote View



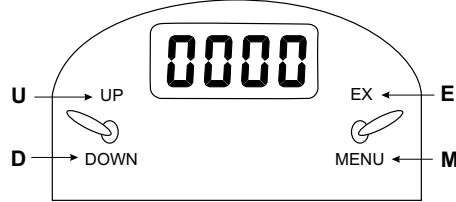
Section 7 - Configuration

Caution: Improper changes to programmed parameters following installation and commissioning can result in incorrect output signal.

7.1 - Configuration (without display) - Native Units, Output, Range, Dampening

(See 7.2 for configuration with display interface)

The MPF's menu functions are accessed via the toggle switches on either side of the interface display



“U” up & “D” down are toggle pressed on the left switch, “E” execute & “M” menu are toggle pressed on the right switch

All instructions assume start from “RUN” mode which is default at power on and milliamp output displayed. If multiple configuration changes are desired it is not necessary to exit to “RUN” mode before configuring the next desired operation. Once desired operation configuration is accomplished pressing “M” repeatedly will scroll through operations. Run mode is achieved when milliamp output is displayed.

<u>RUN Mode</u>	<u>SENSOR CONFIG Mode</u>	<u>CALIBRATION Mode</u>
Zero	4-20mA/Process Variable PSIG / BAR 4-20mA / 20-4mA LRV URV Damping Factory Restore	2 Point Cal 4 Point Cal

7.1.1 Display Mode: 4-20mA or Process Variable

1. Press “M” - Sensor displays “COnF”
2. Press “U” & “E” simultaneously for 2 seconds - sensor displays “CvAL” or “PvAL”
3. Press “U” or “D” - Sensor display toggles between “CvAL” or “PvAL”
4. Press “M” to proceed to next operation or if no other operation is to be accessed exit to “RUN”

7.1.2 Native Units: PSI or Bar

1. Press “M” – Sensor displays “COnF”
2. Press “E” – Sensor displays “PSI” or “BAR”
3. Press “U” or “D” – Sensor toggles between “PSI” or “BAR”
4. Press “M” to proceed to the next operation

Note: When changing native units configuring range is now required

7.1.3 Output: 4mA – 20mA or 20mA – 4mA

1. Press “M” – Sensor displays “COnF”
2. Press “E” – Sensor displays “PSI” or “BAR”
3. Press “M” – Sensor displays “4-20” or “20-4”
4. Press “U” or “D” – Sensor toggles between “4-20” or “20-4”
5. If no other operation is to be accessed exit to “RUN” mode via pressing “M” repeatedly

7.1.4 Pressure Range

7.1.4.1 LRV: Lower range value

Sensors equipped with "Compound" style measurement cells (stem) may configure the LRV. "Gauge" and "Absolute" stems are predefined as 0 and are not reconfigurable

1. Press "M" – Sensor displays "CO nF"
2. Press "E" – Sensor displays "PSI" or "BAR"
3. Press "M" – Sensor displays "4-20" or "20-4"
4. Press "M" – Sensor displays "LRV"
5. Press "E" – Sensor displays present LRV value – Example: "0"
6. Press "U" or "D" to set desired LRV value– Sensor display increases or decreases accordingly

Note: continue to URV

7.1.4.2 URV: Upper range value

Note: starting from 7.31 above

7. Press "M" – Sensor displays "URV"
8. Press "E" – Sensor displays present URV value – Example: "50"
9. Press "U" or "D" to set desired URV value – Sensor display increases or decreases accordingly
10. Press "E" to store displayed value – Sensor displays "URV"
11. If no other operation is to be accessed exit to "RUN" mode via pressing "M" repeatedly

7.1.5 Output Damping

1. Press "M" – Sensor displays "CO nF"
2. Press "E" – Sensor displays "PSI" or "BAR"
3. Press "M" – Sensor displays "4-20" or "20-4"
4. Press "M" – Sensor displays "LRV"
5. Press "M" – Sensor displays "URV"
6. Press "M" – Sensor displays "dMPg"
7. Press "E" – Sensor displays current damping value from 0 - 10
8. Press "U" or "D" to display desired damping value– Sensor display increases or decreases accordingly
9. Press "E" to store displayed value – Sensor displays "dMPg"
10. If no other operation is to be accessed exit to "RUN" mode via pressing "M" repeatedly until milliamp output is displayed

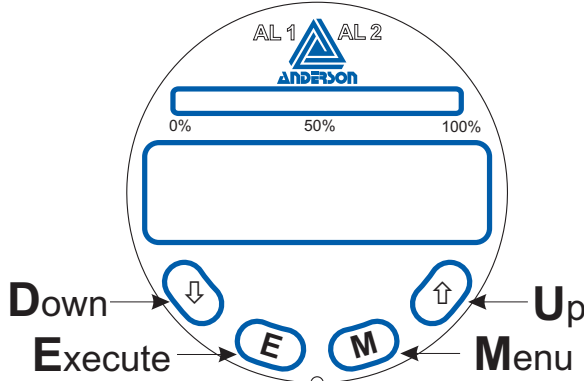
7.1.6 Factory configuration reset

Perform if a return to the original factory configuration is desired

1. Press "M" – Sensor displays "CO nF"
2. Press "E" – Sensor displays "PSI" or "BAR"
3. Press "M" – Sensor displays "4-20" or "20-4"
4. Press "M" – Sensor displays "LRV"
5. Press "M" – Sensor displays "URV"
6. Press "M" – Sensor displays "dMPg"
7. Press "M" – Sensor display "FrES"
8. Press "E" – Sensor display "nO"
9. Press "U" or "D" to display "YES"
10. Press "E" – Sensor display "FrES"
11. Exit to "RUN" mode via pressing "M" repeatedly until milliamp output is displayed

7.2 - Configuration (with display interface) - Native Units, Output, Range, Damping, Alarms, Display Units

The MPF's menu functions are accessed via the arrow buttons on either side of the interface display



“U” up & “D” are button presses on the right and left of the display. “E” execute and “M” menu are button presses located between the up and down arrows.

All instructions assume start from “RUN” mode which is default at power on and process value displayed. If multiple configuration changes are desired it is not necessary to exit to “RUN” mode before configuring the next desired operation. Once desired operation configuration is accomplished pressing “M” repeatedly will scroll through operations. Run mode is achieved when process value is displayed.

<u>RUN Mode</u>	<u>SENSOR CONFIG Mode</u>	<u>CALIBRATION Mode</u>
Zero	PSIG/BAR (native units)	2 Point Cal
Adjust Display Decimal	4-20mA / 20-4mA	4 Point Cal
Momentarily Display mA Output	LRV	
Descriptive Error Message	URV	
	Damping	
	Alarm1	
	Alarm2	
	Display Units	
	Unit Description Scroll	
	Factory Restore	

7.2.1 Run Mode:

Zero - see section 8.1

Display Decimal - the number of decimal places displayed may be adjusted by pressing ↑ or ↓

Momentary mA display - the measured process value may be momentarily displayed by pressing “E”

Descriptive Error Message - press ↑ for a descriptive error message.

7.2.2 Native Units: PSI or Bar

1. Press “M” – Sensor displays “CONF”
2. Press “E” – Sensor displays “PSIG” or “BARG”
3. Press “U” or “D” – Sensor toggles between “PSIG” or “BARG”
4. Press “M” once to proceed to the next operation or repeatedly to return to Run Mode

Note: When changing native units configuring range is now required

7.2.3 Output: 4mA – 20mA or 20mA – 4mA

1. Press “M” – Sensor displays “CONF”
2. Press “E” – Sensor displays “PSIG” or “BARG”
3. Press “M” – Sensor displays “4-20” or “20-4”
4. Press “U” or “D” – Sensor toggles between “4-20” or “20-4”
5. If no other operation is to be accessed exit to “RUN” mode via pressing “M” repeatedly

7.2.4 Pressure Range**7.2.41 LRV: Lower range value**

Sensors equipped with “Compound” style measurement cells (stem) may configure the LRV. “Gauge” and “Absolute” stems are predefined as 0 and are not reconfigurable

1. Press “M” – Sensor displays “CONF”
2. Press “E” – Sensor displays “PSIG” or “BARG”
3. Press “M” – Sensor displays “4-20” or “20-4”
4. Press “M” – Sensor displays “LRV”
5. Press “E” – Sensor displays present LRV value – Example: “0”
6. Press “U” or “D” to set desired LRV value– Sensor display increases or decreases accordingly

Note: continue to URV

7.2.42 URV: Upper range value

Note: starting from 7.2.41 above

7. Press “M” – Sensor displays “URV”
8. Press “E” – Sensor displays present URV value – Example: “50”
9. Press “U” or “D” to set desired URV value – Sensor display increases or decreases accordingly
10. Press “E” to store displayed value – Sensor displays “URV”
11. If no other operation is to be accessed exit to “RUN” mode via pressing “M” repeatedly

7.2.5 Output Damping

1. Press “M” – Sensor displays “CONF”
2. Press “E” – Sensor displays “PSIG” or “BARG”
3. Press “M” – Sensor displays “4-20” or “20-4”
4. Press “M” – Sensor displays “LRV”
5. Press “M” – Sensor displays “URV”
6. Press “M” – Sensor displays “DAMP”
7. Press “E” – Sensor displays current damping value from 0 - 10
8. Press “U” or “D” to display desired damping value– Sensor display increases or decreases accordingly
9. Press “E” to store displayed value – Sensor displays “DAMP”
10. If no other operation is to be accessed exit to “RUN” mode via pressing “M” repeatedly until process value is displayed

7.2.6 Setting Alarms – Alarms are visual indication only if MPF is not optioned with relays

1. Press “M” – Sensor displays “CONF”
2. Press “E” – Sensor displays “PSIG” or “BARG”
3. Press “M” – Sensor displays “4-20” or “20-4”
4. Press “M” – Sensor displays “LRV”
5. Press “M” – Sensor displays “URV”
6. Press “M” – Sensor displays “DAMP”
7. Press “M” – Sensor displays “ALRM1”
8. Press “E” – Sensor displays “OFF” or “ON”
9. Press “U” or “D” – Sensor toggles between “ON” or “OFF” set to “ON”
10. Press “E” – Sensor displays “High” or “LOW”
11. Press “U” or “D” – Sensor toggles between “HIGH” or “LOW” Choose either active high or active low
12. Press “E” – Sensor displays “SETPT”
13. Press “E” – Sensor displays set point pressure.
14. Press “U” or “D” repeatedly to select alarm1 pressure
15. Press “E” – Sensor displays “HYST” (allows hysteresis or dead band)
16. Press “E” – Sensor displays “0” or “1” (turns on dead band preset at 1% of set point)
17. Press “U” or “D” – Sensor toggles between “0” or “1”
18. Press “E” – Sensor displays “ALRM1”
19. Press “M” – Sensor displays “ALRM2”
20. Repeat from instruction 8 to set alarm 2 if desired otherwise press “M” to proceed to next operation or repeatedly to exit to “run” mode

7.2.7 Setting display process variable

The following Engineering units may be selected:
PSI, BAR, kPa, In H₂O, In Hg, mm H₂O, mm Hg, or Milliamp output

1. Press “M” – Sensor displays “CONF”
2. Press “E” – Sensor displays “PSIG” or “BARG”
3. Press “M” – Sensor displays “4-20” or “20-4”
4. Press “M” – Sensor displays “LRV”
5. Press “M” – Sensor displays “URV”
6. Press “M” – Sensor displays “DAMP”
7. Press “M” – Sensor displays “ALRM1”
8. Press “M” – Sensor displays “ALRM2”
9. Press “M” – Sensor displays currently set engineering unit
10. Press “U” or “D” repeatedly to select the desired engineering unit
11. Press “M” to proceed to next operation or repeatedly to exit to “run” mode

7.2.8 Setting display process variable marquee time

The display may be set to repeatedly scroll the Engineering unit selected in a marquee style

Note: There is no marquee function if milliamp is selected.

1. Press “M” – Sensor displays “CONF”
2. Press “E” – Sensor displays “PSIG” or “BARG”
3. Press “M” – Sensor displays “4-20” or “20-4”
4. Press “M” – Sensor displays “LRV”
5. Press “M” – Sensor displays “URV”
6. Press “M” – Sensor displays “DAMP”
7. Press “M” – Sensor displays “ALRM1”
8. Press “M” – Sensor displays “ALRM2”
9. Press “M” – Sensor displays “UDISP”
10. Press “E” – Sensor displays “OFF” or the current marquee scroll interval
11. Press “U” or “D” repeatedly to select the desired scroll interval
12. Press “E” – to store, sensor displays “UDISP”
13. Press “M” to proceed to next operation or If no other operation is to be accessed exit to “RUN” mode via pressing “M” repeatedly until process variable is displayed

7.2.9 Factory configuration reset

Perform if a return to the original factory configuration is desired

1. Press "M" – Sensor displays "CONF"
2. Press "E" – Sensor displays "PSIG" or "BARG"
3. Press "M" – Sensor displays "4-20" or "20-4"
4. Press "M" – Sensor displays "LRV"
5. Press "M" – Sensor displays "URV"
6. Press "M" – Sensor displays "DAMP"
7. Press "M" – Sensor display "FAC"
8. Press "E" – Sensor display "nO"
9. Press "U" or "D" to display "YES"
10. Press "E" – Sensor display "FAC"
11. Exit to "RUN" mode via pressing "M" repeatedly until process value is displayed

Section 8 - Calibration

Caution: Improper calibration can cause incorrect output signal.

The MPF is calibrated at the factory to meet the specified accuracy for any allowable range that may be configured. As general maintenance to the unit, a zero check is recommended at approximately 12 month intervals. Over time errors may be accumulated due to the impact of environment and operation. If you feel that the output of the MPF transmitter is not correct, calibration of the unit may be required. Accumulated offset errors have the greatest impact to accuracy over time. These may easily be addressed in the “field” via the “one touch Zero” function in section 8.1. Further calibration to address possible errors in the range may be addressed in the field but will require analytical caliber equipment to provide accurate pressure standards. The MPF may also be returned to Anderson for a full factory recalibration. 8.2 illustrates the procedures for custom range calibration of the transmitter.

8.1 CALIBRATION – Zero


NOTE – For ABSOLUTE stems zero calibration is disabled as zeroing is not possible in atmospheric conditions.

All instructions assume starting from “RUN” mode which is default at power on and process value displayed. Zeroing the sensor provides the best accuracy when clamped into the application therefore negates possible positioning and clamping errors. Be sure sensor is exposed to zero psig when performing this function.

Units Without Display:

1. Press both “D” and “M” simultaneously for approximately 5 seconds – Sensor displays 4.00 milliamp for gauge, for compound sensor displays appropriate output for set range.

Units with Display Interface:

1. Press both  and “M” simultaneously for approximately 5 seconds.

8.2 CALIBRATION - Range

Field calibration of the MPF results in a “custom calibration” range. This may be desired as it provides (in 4 point calibration mode) the best possible accuracy for a given specific range. Once this procedure is completed care should be taken not to perform any subsequent “configuration” range changes as this will result in returning to the original factory calibration data.

When performing this calibration the range desired must be first set in the “configuration” mode. Refer to 7.1.4 for integral display or 7.2.4 for display interface to set this range.

Equipment required: Pressure suitable standard that can achieve URV, Accurate reference gauge, DC Milliamp Meter (accurate to +/- .005 mA)



Warning! Do not subject this sensor to pressure that exceeds the specified upper range limit. Over-pressure may cause premature failure, incorrect output signal, or possible human injury.

The MPF accommodates both 2 point and 4 point calibrations. 4 point calibrations yield the most accurate results and are therefore preferred.

If your unit is calibrated at a “COMPOUND” range, you will not see 4.00 mA at atmospheric zero. As reference, you may use the following chart to determine if your unit may require calibration (most common ranges are shown).

Sensor Range	Sensor Reads at Atmospheric Zero
0-psig - Positive Pressure	4.00 mA
0-psig - 30" Hg	4.00 mA
30" Hg - 15 psig	11.92 mA
30" Hg - 30 psig	9.26 mA
30" Hg - 60 psig	7.15 mA
30" Hg - 100 psig	6.05 mA

The output of a properly calibrated transmitter may be calculated by using the following formula:

$$\text{mA Output} = \left[16 \times \left[\frac{\text{(KNOWN VALUE - LOW END OF RANGE)}}{\text{TRANSMITTER SPAN}} \right] \right] + 4$$

NOTE: For pressure transmitters with compound ranges, the ranges must first be converted to all one type unit of measure. For example, a 30" Hg/0/35 psig unit maybe considered to have a range of -14.7 psig-0-35 psig and a span of 49.7 psig (2.036" Hg = 1 psi). Be careful not to lose the (-) sign while performing the calculation of the proper reading.

If your unit is calibrated at a "ABSOLUTE" range, you will not see 4.00 mA at atmospheric zero. Calibration requires an analytical quality pressure source and reference gauge

NOTE: The transmitter should be wired in a complete loop at this point, or on a test bench and configured per the diagram shown in Figure 4, page 8.

8.2.1 Custom calibration range – GAUGE STEM, 4 point

For units with Display Interface: ⬇ = D ⬆ = U

1. Clamp sensor into calibration fitting and expose the transmitter to a known zero reference point.
 2. Set meter to DC mA and connect meter in series with loop + .
 3. Press "M" – Sensor displays "CO nF"
 4. Press "M" – Sensor displays "CAL"
 5. Press "E" – Sensor displays "CCAL"
 6. Press "E" – Sensor displays "2PtS"
 7. Press "U" or "D" to set 4 point calibration – Sensor displays "4PtS"
 8. Press "E" holding for approximately 2 seconds – Sensor displays "ArEF" ("ATM" with Display Interface)
 9. Expose sensor to atmospheric pressure
 10. Press "E" – Sensor will store the atmospheric reference and displays "LrV"
 11. Press "E" – Sensor will store LRV reference and displays "Pt2"
 12. Press "E" – Sensor display will prompt the desired pressure standard. Press ⬇ or ⬆ to adjust.
 13. Expose sensor to requested pressure
 14. Press "E" – Sensor displays "Pt3"
 15. Press "E" – Sensor display will prompt the desired pressure standard. Press ⬇ or ⬆ to adjust.
 16. Expose sensor to requested pressure
 17. Press "E" – Sensor displays "UrV"
 18. Press "E" – Sensor display will prompt the desired pressure standard.
 19. Expose sensor to requested pressure
 20. Press "E" – Sensor displays "CCAL"
- Exit to "RUN" mode via pressing "M" repeatedly until process value is displayed

8.2.2 Custom calibration range – GAUGE STEM, 2 point

1. Clamp sensor into calibration fitting and expose the transmitter to a known zero reference point.
 2. Set meter to DC mA and connect meter in series with loop + .
 3. Press “M” – Sensor displays “COnF”
 4. Press “M” – Sensor displays “CAL”
 5. Press “E” – Sensor displays “CCAL”
 6. Press “E” – Sensor displays “2PtS”
 7. Press “U” or “D” to set 2 point calibration sensor displays “2PtS”
 8. Press “E” holding for approximately 2 seconds – Sensor displays “ArEF” (“ATM” with Display Interface)
 9. Expose sensor to atmospheric pressure
 10. Press “E” – Sensor displays “LrV”
 11. Press “E” – Sensor display will prompt the desired pressure standard.
 12. Expose sensor to requested pressure
 13. Press “E” – Sensor displays “UrV”
 14. Press “E” – Sensor display will prompt the desired pressure standard.
 15. Expose sensor to requested pressure
 16. Press “E” – Sensor displays “CCAL”
- Exit to “RUN” mode via pressing “M” repeatedly until process value is displayed

8.2.3 Custom calibration range – COMPOUND STEM, 4 point

NOTE: For pressure transmitters with compound ranges, the ranges must first be converted to all one type unit of measure. For example, a 30" Hg - 0-30 psig unit may be considered to have a range of -14.7 psig - 0-30 psig and a span of 44.7 psig (2.036" Hg = 1 psi). Be careful not to lose the (-) sign while performing the calculation of the proper reading.

1. Clamp sensor into calibration fitting and expose the transmitter to a known zero reference point.
2. Set meter to DC mA and connect meter in series with loop + .
3. Press “M” – Sensor displays “COnF”
4. Press “M” – Sensor displays “CAL”
5. Press “E” – Sensor displays “CCAL”
6. Press “E” – Sensor displays “2PtS”
7. Press “U” or “D” to set 4 point calibration – Sensor displays “4PtS”
8. Press “E” holding for approximately 2 seconds – Sensor displays “ArEF” (“ATM” with Display Interface)
9. Expose sensor to atmospheric pressure
10. Press “E” – Sensor will store the atmospheric reference and displays “LrV”
11. Press “E” – Sensor display will prompt the desired pressure standard. Press ↓ or ↑ to adjust.
12. Expose sensor to requested pressure
13. Press “E” – Sensor displays “Pt2”
14. Press “E” – Sensor display will prompt the desired pressure standard. Press ↓ or ↑ to adjust.
15. Expose sensor to requested pressure
16. Press “E” – Sensor displays “Pt3”
17. Press “E” – Sensor display will prompt the desired pressure standard. Press ↓ or ↑ to adjust.
18. Expose sensor to requested pressure
19. Press “E” – Sensor displays “UrV”
20. Press “E” – Sensor display will prompt the desired pressure standard.
21. Expose sensor to requested pressure
22. Press “E” – Sensor displays “CCAL”
23. Exit to “RUN” mode via pressing “M” repeatedly until process value is displayed

8.2.4 Custom calibration range –COMPOUND STEM, 2 point

1. Clamp sensor into calibration fitting and expose the transmitter to a known zero reference point.
2. Set meter to DC mA and connect meter in series with loop + .
3. Press “M” – Sensor displays “CO nF”
4. Press “M” – Sensor displays “CAL”
5. Press “E” – Sensor displays “CCAL”
6. Press “E” – Sensor displays “2PtS”
7. Press “U” or “D” to set 2 point calibration sensor displays “2PtS”
8. Press “E” holding for approximately 2 seconds – Sensor displays “ArEF”(“ATM” with Display Interface)
9. Expose sensor to atmospheric pressure
10. Press “E” – Sensor will store the atmospheric reference and displays “LrV”
11. Press “E” – Sensor display will prompt the desired pressure standard. Press ↓ or ↑ to adjust.
12. Expose sensor to requested pressure
13. Press “E” – Sensor displays “UrV”
14. Press “E” – Sensor display will prompt the desired pressure standard.
15. Expose sensor to requested pressure
16. Press “E” – Sensor displays “CCAL”
17. Exit to “RUN” mode via pressing “M” repeatedly until process value is displayed

8.2.5 Custom calibration range – ABSOLUTE STEM, 4 point

1. Clamp sensor into calibration fitting and expose the transmitter to a known zero reference point.
 2. Set meter to DC mA and connect meter in series with loop + .
 3. Press “M” – Sensor displays “CO nF”
 4. Press “M” – Sensor displays “CAL”
 5. Press “E” – Sensor displays “CCAL”
 6. Press “E” – Sensor displays “2PtS”
 7. Press “U” or “D” to set 4 point calibration – Sensor displays “4PtS”
 8. Press “E” – holding for approximately 2 seconds – Sensor displays “LrV”
 9. Press “E” – Sensor displays “VAC”. Press ↓ or ↑ to adjust.
 10. Expose sensor to requested pressure
 11. Press “E” – Sensor displays “Pt2”
 12. Press “E” – Sensor display will prompt the desired pressure standard. Press ↓ or ↑ to adjust.
 13. Expose sensor to requested pressure
 14. Press “E” – Sensor displays “Pt3”
 15. Press “E” – Sensor display will prompt the desired pressure standard. Press ↓ or ↑ to adjust.
 16. Expose sensor to requested pressure
 17. Press “E” – Sensor displays “UrV”
 18. Press “E” – Sensor display will prompt the desired pressure standard.
 19. Expose sensor to requested pressure
 20. Press “E” – Sensor displays “CCAL”
- Exit to “RUN” mode via pressing “M” repeatedly until milliamp output is displayed

8.2.6 Custom calibration range –ABSOLUTE STEM, 2 point

1. Clamp sensor into calibration fitting and expose the transmitter to a known zero reference point.
 2. Set meter to DC mA and connect meter in series with loop + .
 3. Press “M” – Sensor displays “COnF”
 4. Press “M” – Sensor displays “CAL”
 5. Press “E” – Sensor displays “CCAL”
 6. Press “E” – Sensor displays “2PtS”
 7. Press “U” or “D” to set 2 point calibration sensor displays “2PtS”
 8. Press “E” holding for approximately 2 seconds – Sensor displays “LrV”
 9. Press “E” – Sensor displays “VAC”. Press ↓ or ↑ to adjust.
 10. Expose sensor to requested pressure
 11. Press “E” – Sensor displays “UrV”
 12. Press “E” – Sensor display will prompt the desired pressure standard.
 13. Expose sensor to requested pressure
 14. Press “E” – Sensor displays “CCAL”
- Exit to “RUN” mode via pressing “M” repeatedly until milliamp output is displayed

8.3 Calibration –Milliamp Meter

The MPF contains circuitry to measure the loop current. This meter may be calibrated to match a users external reference.

1. Press “M” – Sensor displays “COnF”
 2. Press “M” – Sensor displays “CAL”
 3. Press “E” – Sensor displays “CCAL”
 4. Press “M” – Sensor displays “MCAL”
 5. Press “E” – Sensor displays “04 mA”
 6. Press “U” or “D” to match external reference to 4 mA.
 7. Press “E” – Sensor displays “20 mA”
 8. Press “U” or “D” to match external reference to 20 mA.
 9. Press “E” – to store values - sensor displays “MCAL”
- Exit to “RUN” mode via pressing “M” repeatedly until process value is displayed

Section 9 - Maintenance/Diagnostics



Warning! Do not remove this sensor from the process while it is operating. Removal while the process is operating can contaminate the process and could cause human injury.



Warning: Before removing for service or calibration, ensure that residual product has been flushed from the line and that internal pressure has returned to atmospheric pressure.



Anderson electronic sensors require very little maintenance, if any. We suggest that the sensor be inspected at 6 month intervals to ensure that they are not being subjected to physical abuse, moisture entering the housing, and that the wiring is sound.

Caution: Do not open the sensor enclosure in wet or spray-down environments. Moisture ingress can cause premature electronics failure.

External cleaning instructions: The external surfaces of this sensor can be cleaned along with the equipment or piping system that it is installed on, using cleaning and disinfecting solutions designed for use on hygienic equipment.

The MPF is equipped with diagnostic routines that monitor the sensor's function. Should an error occur the diagnostic display will flash an error code and the output will be limited to 3.8 mA or less. Errors may be caused by a number of reasons ranging from failed electronic components to user configuration errors. The code appendix below indicates possible codes with actions that should be taken to correct the problem. Error codes may be cleared to facilitate subsequent menu changes, however the output will remain at 3.8 mA or less until error is addressed and the unit repowered. Always record the error code before attempting to clear it.

The display code may be erased as follows:

1. From "RUN" Mode Press "D" or  and hold for several seconds. Some error codes will not erase until problem is resolved – Sensor displays current process value.
2. Power cycle by removing power for 10 seconds then reattach power.
3. For units equipped with optional display interface press  for a descriptive error message.

Caution: Improper replacement of components during service can result in process leakage, reduced pressure rating, system cleanability issues, incorrect output signal, or error code(s).

Error Code	Category	Customer Action
No visible code, 3.8 mA output	Communication	Check Stem ribbon cable connection to puck, power cycle
e700	Internal System Failure	Reset Error and power cycle and if error is persistent replace puck
e701	Internal System Failure	Reset Error and power cycle and if error is persistent replace puck
e702	Internal System Failure	Reset Error and power cycle and if error is persistent replace puck
e500	Communication	Check Stem ribbon cable connection to puck, power cycle
e501	Stem Data Corruption	Replace Stem
e502	Stem Data Corruption	Replace Stem
e503	Stem Data Corruption	Replace Stem
e504	Stem Data Corruption	Replace Stem
e505	Insufficient loop voltage	Check if loop voltage is at least 18V, provide correct voltage then power cycle
e300	Stem Data Corruption	Replace Stem
e301	Stem Data Corruption	Replace Stem
e302	Stem Data Corruption	Replace Stem
e304	Stem Data Corruption	Replace Stem
e405	Puck Data Corruption	Replace Puck
e406	Puck Data Corruption	Replace Puck
e407	Puck Data Corruption	Replace Puck
e600	Puck Data Corruption	Replace Puck
e602	Stem Configuration Error	Reset Error and power cycle and if error is persistent replace Stem
e603	Stem Configuration Error	Reset Error and power cycle and if error is persistent replace Stem
e100	Incompatible Range	1) Reconfigure puck to a range compatible with the stem 2) power cycle 3) Reset Error
e101	Incompatible Range/ range changed	1) Reconfigure puck to a range compatible with the stem 2) power cycle 3) Reset Error
e200	Installation Fault	Power Cycle
e201	Communication	Power Cycle
e202	Communication	Power Cycle
e203	Communication	Power Cycle
e204	Data Corruption	Factory restore
OVER	Warning	Check Process - URV exceeded, cycle power to reset

Feel free to contact Anderson Technical Services Department at 1-800-833-0081 for further assistance with troubleshooting.

Section 10 - HART Communicator Connection & DD (Device Descriptor) Menu Structure

MPF transmitters can be equipped with an optional HART output protocol and may be addressed via an external HART modem or alternatively via a portable HART communicator (HHT) compatible with HART 7.0.

10.1 Attaching HART Communicator

1. Power the MPF Transmitter. The signal loop must have at least 250ohms resistance for HHT function
2. Connect the HHT across the transmitter terminals or the resistor loop
3. Turn on the HHT, wait until communications are established and the Home Menu is displayed

10.2 HART DD Menu Structure

All MPF functions as well as standard HART setup detail may be addressed via the HART DD menu. See following Menu DD for specific required paths.

Home Screen (Level 1)	Level 2	Level 3	Level 4	Level 5	Level 6	Level 7	
Loop Current							
PV Value							
URV							
LRV							
Sensor Type							
Device Setup	Configuration	Loop Direction	4mA to 20mA				
			20mA to 4mA				
		LRV	LRV				
			Change Range				
		URV	URV				
			Change Range				
		Damping	Damping Value				
			Change Damping				
		Display Units		inH ₂ O			
				inHg			
				mmH ₂ O			
				mmHg			
				PSI			
				BAR			
				mBAR			
				kPa			
				Kg/cm ²			
			TORR				
	Native Units		PSI				
			BAR				
	Alarm 1 (or) Alarm 2		Energized				
			Active High				
			Out Of SPAN				
			Enabled				
			Set Point				
			Hysteresis				
			Turn On/Off				
		Change Type					
		Change SP					
		Change Hysteresis					
Factory Restore		Yes / No					
Calibration	Meter Calibration		Set 4mA				
			Set 20mA				
	Sensor Calibration	Two Point Calibration	Sensor Type PV URV PV LRV Calibration				
		Four Point Calibration					

Home Screen (Level 1)	Level 2	Level 3	Level 4	Level 5	Level 6	Level 7
Device Setup	HART Setup	HART Configuration	Burst Configuration	Burst Message 1 Burst Message 2 Burst Message 3	Burst Mode	On / Off
					Burst Option	Choose Command
						Update Period
						Maximum Update Period
						Trigger Condition
						Device Variable Classification
						Burst units
						Trigger Level
		Number of Response Preambles				
		Loop Current Mode	Enable / Disable			
		Polling Address				
		HART Information	Model			
			Manufacturer			
			Device ID			
			HART Universal Revision			
			Descriptor			
	Message					
	Date					
	Tag					
	Long Tag					
	Final Assembly Number					
	HART Output	PV Pressure Value				
	Review	HART Review	Manufacturer ID			
			Universal Rev			
			Field Device Rev			
			Software rev			
			Hardware Rev			
			Tag			
			Descriptor			
			Message			
		Configuration Change Counter				
		Device Information	PV Native Units			
PV Display Units						
PV LRV						
PV URV						
PV Pressure USL						
PV Pressure LSL						
PV Damping						
Firmware Rev						
Serial Number						

Home Screen (Level 1)	Level 2	Level 3	Level 4	Level 5	Level 6	Level 7	
Device Setup	Extended Setup	Clone Instrument Info	HART Variables	Descriptor			
				Message			
				Date			
				Tag			
				Long Tag			
				Final Assembly Number			
				Number of Request Preamble			
				Number of Response Preamble			
			Instrument Parameter	Display Units			
Diagnostics	Loop Test	Choose 4 mA					
		Choose 20 mA					
		Choose other mA value					
	Error Information	Error code with Description					
		Reset Error Codes					
	One Touch Zero	PV Value					
		Loop Value					
		Zero Trim					

Section 11 - Warranty and Return Statement

These products are sold by The Anderson Instrument Company (Anderson) under the warranties set forth in the following paragraphs. Such warranties are extended only with respect to a purchase of these products, as new merchandise, directly from Anderson or from an Anderson distributor, representative or reseller, and are extended only to the first buyer thereof who purchases them other than for the purpose of resale.

Warranty

These products are warranted to be free from functional defects in materials and workmanship at the time the products leave the Anderson factory and to conform at that time to the specifications set forth in the relevant Anderson instruction manual or manuals, sheet or sheets, for such products for a period of two years.

THERE ARE NO EXPRESSED OR IMPLIED WARRANTIES WHICH EXTEND BEYOND THE WARRANTIES HEREIN AND ABOVE SET FORTH. ANDERSON MAKES NO WARRANTY OF MERCHANTABILITY OR FITNESS FOR A PARTICULAR PURPOSE WITH RESPECT TO THE PRODUCTS.

Limitations

Anderson shall not be liable for any incidental damages, consequential damages, special damages, or any other damages, costs or expenses excepting only the cost or expense of repair or replacement as described above.

Products must be installed and maintained in accordance with Anderson instructions. Users are responsible for the suitability of the products to their application. There is no warranty against damage resulting from corrosion, misapplication, improper specifications or other operating condition beyond our control. Claims against carriers for damage in transit must be filed by the buyer.

This warranty is void if the purchaser uses non-factory approved replacement parts and supplies or if the purchaser attempts to repair the product themselves or through a third party without Anderson authorization.

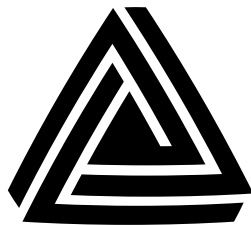
Returns

Anderson's sole and exclusive obligation and buyer's sole and exclusive remedy under the above warranty is limited to repairing or replacing (at Anderson's option), free of charge, the products which are reported in writing to Anderson at its main office indicated below.

Anderson is to be advised of return requests during normal business hours and such returns are to include a statement of the observed deficiency. The buyer shall pre-pay shipping charges for products returned and Anderson or its representative shall pay for the return of the products to the buyer.

Approved returns should be sent to: ANDERSON INSTRUMENT COMPANY INC.
156 AURIESVILLE ROAD
FULTONVILLE, NY 12072 USA

ATT: REPAIR DEPARTMENT



ANDERSON-NEGELE

ANDERSON INSTRUMENT CO., INC • 156 AURIESVILLE RD. • FULTONVILLE, NY 12072 • USA • 800-833-0081 • FAX 518-922-8997
ANDERSON INSTRUMENT CO. LP • 400 BRITANNIA RD. EAST, UNIT 1 • MISSISSAUGA, ONTARIO L4Z 1X9 • CANADA • 905-603-4358 • FAX 905-568-1652
NEGELE MESSTECHNIK GmbH (A Division of Anderson) • RAIFFEISENWEG 7 • D-87743 EGG A. D. GÜNZ • GERMANY • +49 (0) 8333/9204-0 • FAX +49 (0) 8333/9204-49

www.anderson-negele.com