

NCS31P Pharmaceutical Series Capacitive Point Level Switch

Introduction

The NCS31P Life Sciences Series Capacitive Point Level Switch is designed to work with any liquid media in the pharmaceutical industry regardless of conductivity. The NCS31P is particularly suited for product / no-product indication in small lines sizes, capable of being installed in a zero dead leg fitting in as small as 3/4" lines. Additionally, the NCS31P excels in applications with highly viscous media that may cling to the sensor tip. All of this performance in the life sciences series package you expect from Anderson-Negele with appropriate product contact materials, certificates, and a stainless steel housing. Complete specifications and ordering information are available on the reverse.

For more information please visit our Web Site at www.anderson-negele.com, or contact your local Authorized Anderson-Negele Distributor.



Features

- Conductivity independent
- Available in zero dead leg configuration for lines as small as 3/4"
- Fast reaction time
- Selectable sensitivity
- Simple installation and connectivity
- Complies with ASME BPE 2014

Applications

- High / Low limit detection in vessels
- Empty pipe detection
- Pump dry run protection
- Product / no product detection in filter housings

RODEM[®]

PROCESS EQUIPMENT

www.rodem.com 800-543-7312

Specifications

OPERATION/ENVIRONMENTAL SPECIFICATIONS

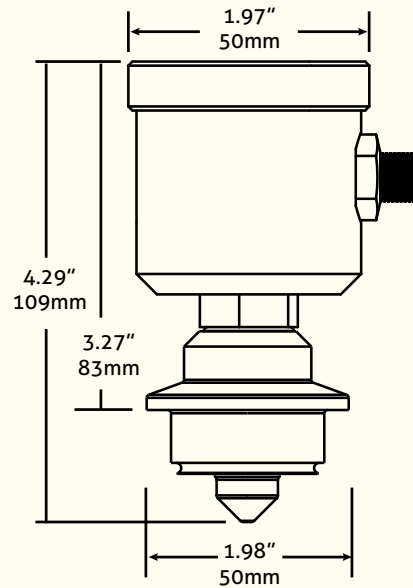
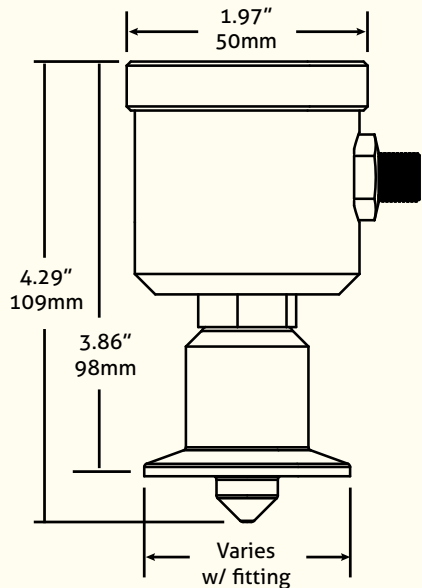
Ambient Temperature Limits:
 14 - 140°F (-10 - 60°C)
 Pressure Rating: 150 PSI (10 BAR) max
 Process Temperature Limits:
 32 - 212°F (0 - 100°C)
 CIP Cleaning: 109°F (143°C) for 120 minute
 Function: Full/empty signal determined by wiring
 Response Time: 0.1s
 Minimum Dielectric Threshold:
 Selectable from 20-70

ELECTRICAL SPECIFICATIONS

Voltage Required: 18 to 36 Vdc (≤ 20mA)
 Power Consumption: 0.6 W Typ. (i.e. 25mA at 24 Vdc)
 Signal Output: PNP - Sourcing (active 50mA)
 Signal Transmission Power: ≤ 1mw
 Connection: One 3 pin M12 Micro-mini electrical connector (QDR)

MECHANICAL SPECIFICATIONS

Wetted Materials: 316L SS, USP class VI PEEK
 Material certificates included
 Wetted Finish: Metal Surfaces Ra = 8 microinch max
 Polymeric Surfaces = 25 microinch max
 Surface finish certificate included
 Housing Material: 300 series Stainless Steel housing, lid and threaded connection (non contact surfaces)
 Enclosure Protection: NEMA 4X, IP69K
 Agency Approval: CE compliant; ASME BPE 2012 compliant
 Visual Indication
 Status LED: Red - Probe Immersed
 Green - Probe Dry
 Warranty: 2 years



Order Information



- OUTPUT**
- PNP PNP - Sourcing
- TEMPERATURE**
- X Standard
- FITTING**
- TC11 1-1/2" Tri-Clamp®
- TC21 2" Tri-Clamp®
- CP11 AIC CPM Flush Mount ¹

¹ Not compatible with CPL03 (1/2" line size)

ACCESSORIES

- Field Wireable Connector-Straight 42119B0000
- Shielded cordset w/25' cable 42117H0025
- Shielded cordset w/50' cable 42117H0050
- Shielded cordset w/100' cable 42117H0100