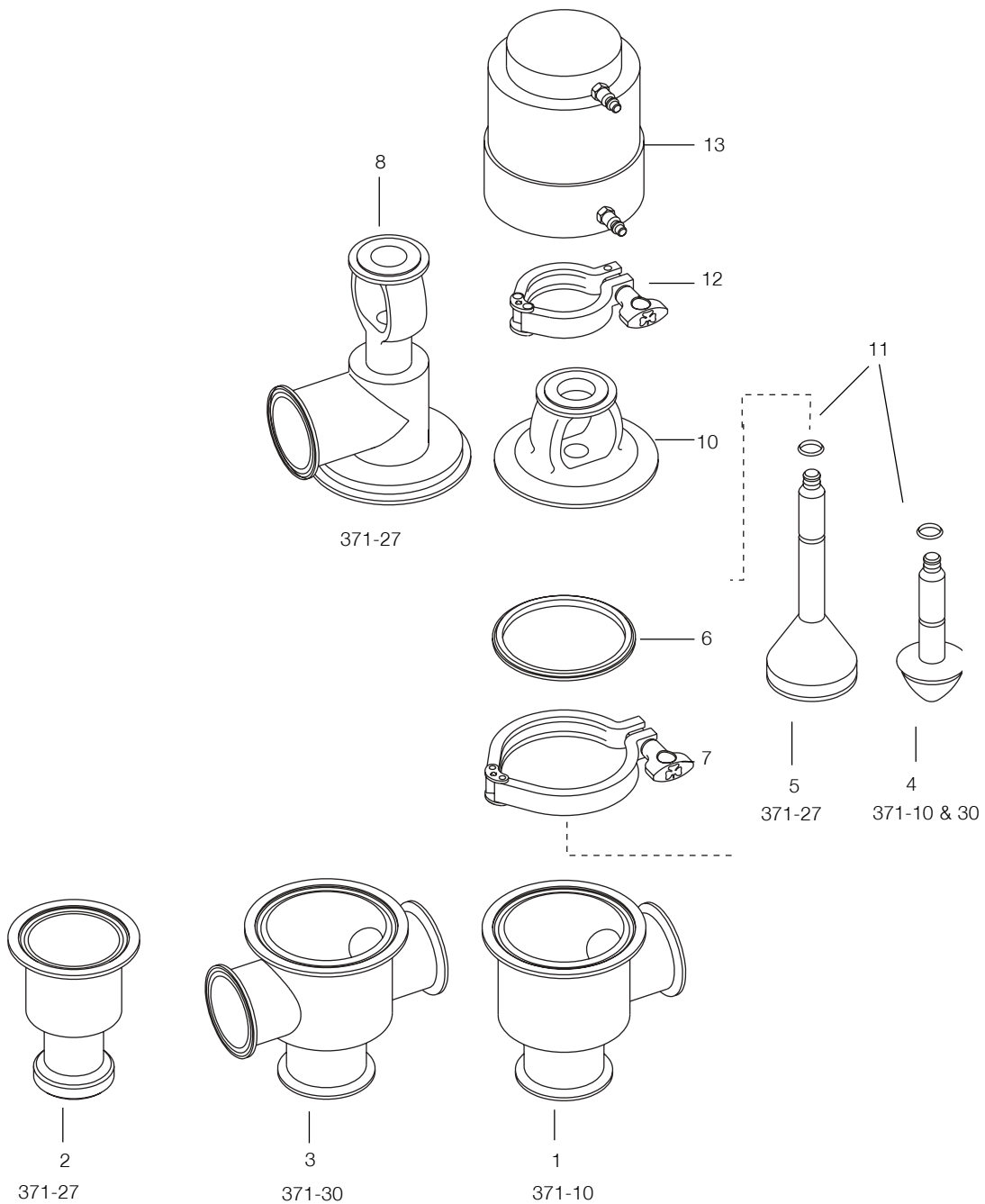


371-10, 30 & 27 Throttling Valves

8



371-10, 30 & 27 Throttling Valves

Pos.	Qty.	Denomination	1"	1 1/2"	2"	2 1/2"	3"
1	1	Tee body					
2	1	Lower body 27					
3	1	Cross body					
4	1	Valve stem	772998	772999	773000	773001	773002
5	1	Valve stem 27	N/A	770053	771970	9634047813	770176
6 ●	1	Body gasket BUNA	755415	755416	755417	755419	755420
6 ●	1	Body gasket EPDM	750157	750062	751799	750812	750322
6 ●	1	Body gasket SFY	750667	750497	750209	750210	750610
7	1	Body clamp	212205	212198	270266	270267	212211
8	1	Upper body 27	770018	771042	771082	770397	770155
10	1	Bonnet	750589	754233	754040	754054	754038
11 ●	1	O-ring stem BUNA	755351	755351	755351	755357	755357
11 ●	1	O-ring stem EPDM	750036	750036	750036	750037	750037
11 ●	1	O-ring stem SFY	750172	750172	750172	750173	750173
12	1	Actuator clamp	212196	212196	212196	212196	212196
13	1	Actuator type 10 N/O	750782	750782	750782	750782	750782
13	1	Actuator type 20 N/C	750785	750785	750785	750785	750785
13	1	Actuator type 15	750790	750790	750790	750790	750790
13	1	Actuator type 25 (27 only)	750790	750790	750790	750790	750790

● included in Service Kit

	1"	1 1/2"	2"	2 1/2"	3"
● Buna	9613990073	9613990076	9613990079	9613990082	9613990085
● EPDM	9613990074	9613990077	9613990080	9613990083	9613990086
● SFY	9613990075	9613990078	9613990081	9613990084	9613990087