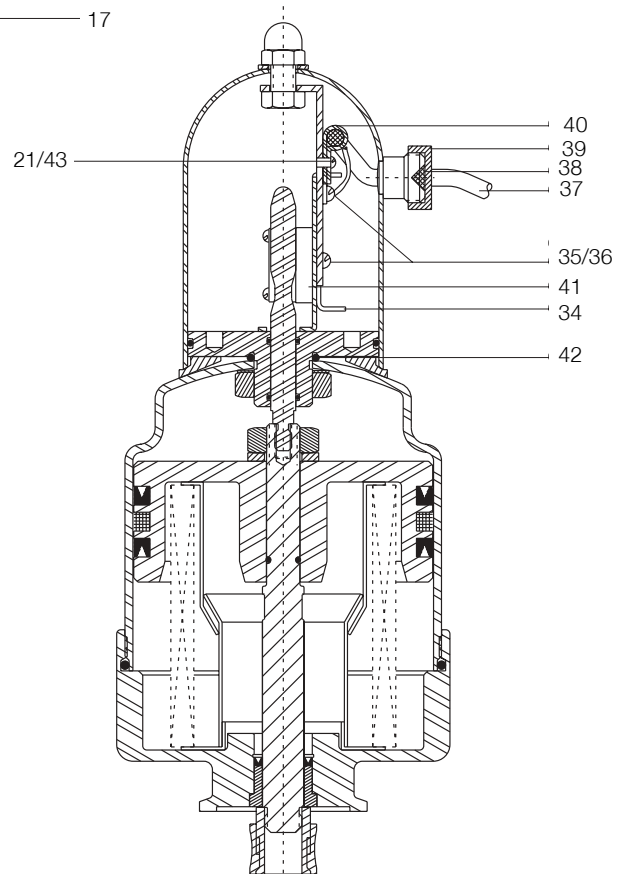
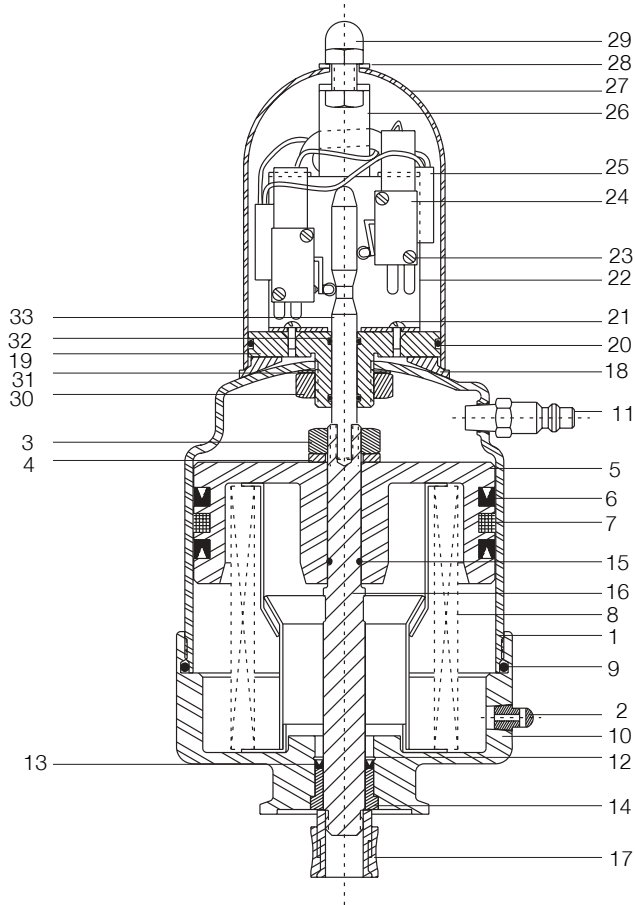


# Type 13 & 23 Actuators for 300 Series

16

Type 13 Actuator - Front view



Type 13 Actuator - Side view

Pos.	Qty.	Denomination	Code
1	1	Actuator cylinder .....	750276
2	1	Vented plug .....	181256
3	1	Nut .....	189923
4	1	Lockwasher .....	189971
5	1	Piston .....	767870
6	● 2	Vee block packing .....	755460
7	● 1	Felt seal .....	755464
8	1	Spring assembly .....	750826
9	● 1	O-ring .....	296608
10	1	Bonnet .....	753796
11	1	Air coupler adaptor .....	764098
12	1	Retaining ring .....	755090
13	● 1	Vee block packing .....	755461
14	1	Bushing .....	764754
15	● 1	O-ring .....	755388
16	1	Actuator stem .....	750324
17	1	Coupler .....	764241
18	1	Gasket .....	750574
19	1	Switch assembly base .....	759592
20	1	O-ring .....	755530
21	1	Screw .....	180337
22	1	Switch mounting bracket .....	753405
23	4	Screw .....	189492
24	● 2	Micro switch .....	768263
25	2	Socket .....	760450
26	1	Cover hold down bracket .....	750601
27	1	Switch cover .....	750680
28	1	Nylon lockwasher .....	755000
29	1	Acorn nut .....	180484
30	1	Nut .....	754338
31	1	Lockwasher .....	754869
32	● 2	O-ring .....	755388
33	1	Indicating stem .....	750334
34	2	Switch adj plate .....	753406
35	2	Screw .....	189617
36	2	Lockwasher .....	180086
37	1	Cable assembly .....	763802
38	1	Rubber grommet .....	768023
39	1	Knurled nut .....	768022
40	1	Cable clamp .....	755138
41	2	Switch mounting block .....	758780
42	● 1	O-ring .....	755531
43	1	Washer .....	754860

● included in Service Kits

● Service kit ..... 9613990133