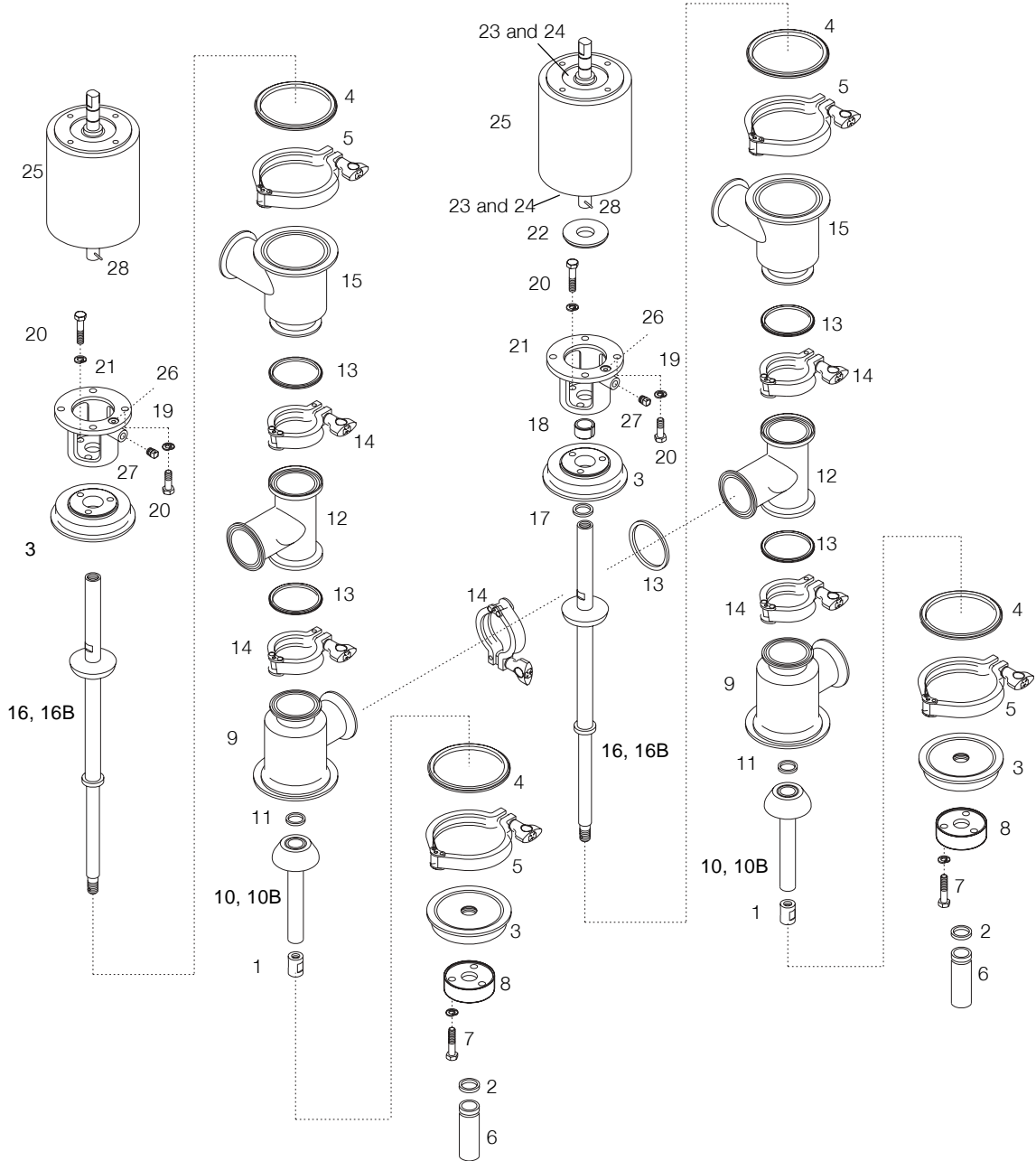


# 762 227 MRAL Flow Diversion Valve

30



# 762 227 MRAL Flow Diversion Valve

Pos.	Qty.	Denomination	2"	2½"	3"	4"
1	2	Nut .....	751794	751794	751794	751284
2	2	O-ring BUNA .....	750330	750330	750330	751304
2	2	O-ring EPDM .....	751916	751916	751916	
2	2	O-ring SFY .....	751887	751887	751887	
3	4	Bonnet .....	750514	751686	751687	751899
4 ● ▲ △ 2		Body gasket BUNA .....	750376	750385	750391	755421
4 ● ▲ △ 2		Body gasket EPDM .....	750383	750390	750400	750686
4 ● ▲ △ 2		Body gasket SFY .....	750382	750389	750398	750738
5	1	Clamp .....	212198	212199	212211	212209
6	2	Stem guard .....	750182	750182	750182	751282
7	6	Screw .....	189723	189723	189723	189723
8	2	End cap .....	751795	751795	751795	751283
9	2	R.H. body .....	771026	771026	771024	771366
10	2	Lower stem BUNA .....				772293
10	2	Lower Stem, LP, BUNA .....	9634059328	9634059330	9634059333	
10	2	Lower Stem, LP, EPDM .....			9634059332	
10	2	Lower Stem, LP (SFY) .....	9634059326	9604058919	9634059331	
10	2	TR lower stem .....	771396	771405	771426	772766
10	2	TR2 lower stem .....	9634051660	9634054995	9634055129	9634051446
10B ▲ 2		TR stem seat lower .....	750943	750947	751268	750906
10B △ 2		TR2 stem seat lower .....	9634050833	752100	752102	752104
11 ● ▲ △ 2		O-ring BUNA .....	300543	300543	300543	751301
11 ● ▲ △ 2		O-ring EPDM .....	300016	300016	300016	752040
11 ● ▲ △ 2		O-ring SFY .....	300061	300061	300061	n/a
12	2	Body .....	771253	771303	771300	772309
13 ● ▲ △ 5		Gasket BUNA .....	298453	298454	298455	298456
13 ● ▲ △ 5		Gasket EPDM .....	290043	290048	290036	290018
13 ● ▲ △ 5		Gasket SFY .....	290030	290040	290049	290053
14	5	Clamp .....	212196	212197	212198	212199
15	2	L.H. body .....	770981	770985	770973	771370
16	2	Stem BUNA .....				772308
16	2	Stem, LP, BUNA .....	9634059289	9634059291	9634059294	
16	2	Stem, LP, EPDM .....			9634059293	
16	2	Stem, LP, SFY .....		9634058928	9634059292	
16	2	TR stem .....	771397	771411	771434	772374
16	2	TR2 stem .....	9634051657	9634054992	9634055126	9634051449
16B ▲ 2		TR stem seat .....	750943	750947	751268	750906
16B △ 2		TR2 stem seat .....	9634050833	752100	752102	752104
17 ● ▲ △ 4		O-ring BUNA .....	755370	755370	755370	755452
17 ● ▲ △ 4		O-ring EPDM .....	750132	750132	750132	751956
17 ● ▲ △ 4		O-ring SFY .....	750077	750077	750077	751957
18 ● ▲ △ 4		Bushing .....	763361	763361	763361	762507
19	20	Lockwasher .....	189962	189962	189962	189962
20	14	Screw .....	189773	189773	189773	189773
21	2	Yoke .....	750224	750224	750224	750849
22 ● ▲ △ 4		Packing retainer .....	751659	751659	751659	751659
23 ● ▲ △ 4		Packing .....	755461	755461	755461	755461
24	4	Seal retainer .....	751680	751680	751680	751659
25	2	Actuator .....	750201	750201	750201	751296
26 ● ▲ △ 2		O-ring .....	755388	755388	755388	755388
27	2	Vent plug .....	181256	181256	181256	181256
28 ● ▲ △ 4		Pin .....	750338	750338	750338	750338

● included in Service Kits, ▲ included in TR Service Kits, △ included in TR2 Service Kits

	2"	2½"	3"	4"
●Buna .....	9613990390	9613990393	9613990396	9613990399
●EPDM .....	9613990391	9613990394	9613990397	9613990400
●SFY .....	9613990392	9613990395	9613990398	9613990401
▲Buna .....	9613990590	9613990593	9613990596	9613990599
▲EPDM .....	9613990591	9613990594	9613990597	9613990600
▲SFY .....	9613990592	9613990595	9613990598	9613990601
△Buna .....	9613990602	9613990605	9613990608	9613990611
△EPDM .....	9613990603	9613990606	9613990609	9613990612
△SFY .....	9613990604	9613990607	9613990610	9613990613

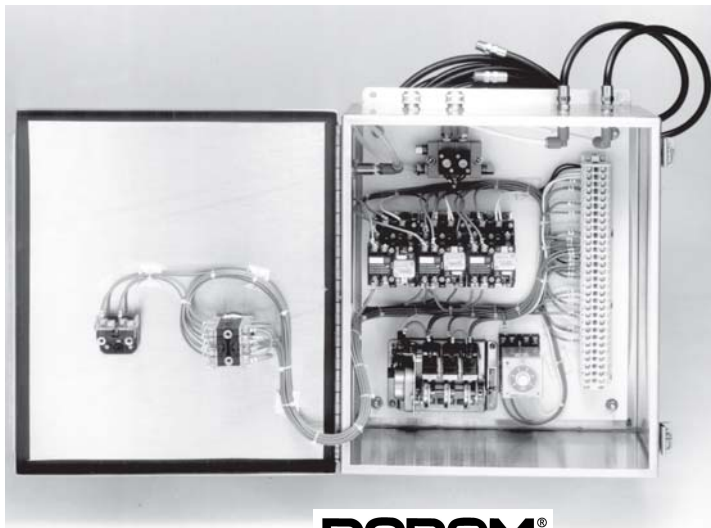
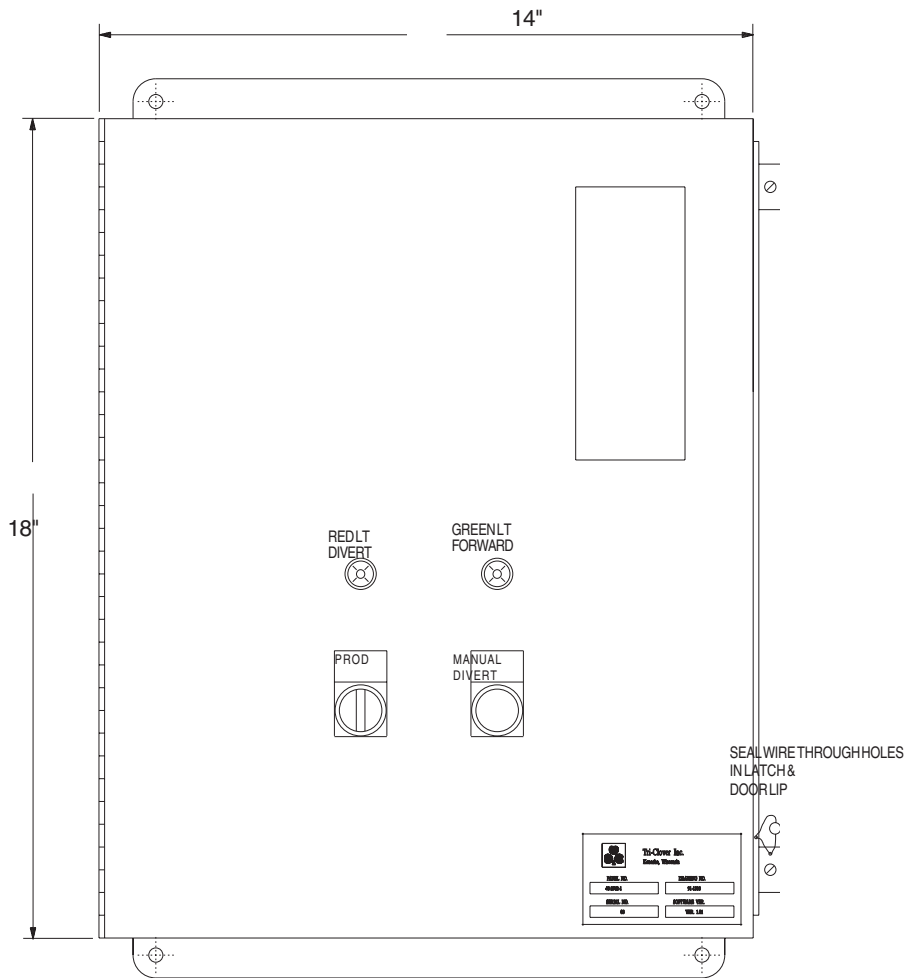
### Test Gages

84-3 Inspection gage for 762-227, 84-5-A Inspection gage for 762MRAL 1 1/2-3", 84-5-B Inspection gage for 762MRAL 4"

# 762979 Panel without Solenoid

Item Number  
48-2762-1

Part Number  
762979



# 762456 Panel with Solenoid

Item Number  
48-2762-2

Part Number  
762456

