

Pos.	Qty.	Denomination	7.5-10 HP Part No.	15-20 HP Part No.
1	1	Motor .....		
4	4	Screw .....	9611-99-3240	9611-99-3241
7	4	Nut for adapter .....	9611-99-0587	9611-99-2160
8	4	Washer for adapter .....	9611-99-0676	9611-99-1886
9	1	Compression ring with thread .....	See Pos. 11	See Pos. 11
10	1	Connex pin .....	9611-99-0622	9611-99-0622
11	1	Shaft Set (inc. pos. 9, 13, 15 and 15a).....	9612-3888-04	9612-3888-07
12	1	Key .....	9611-99-2756	
13	1	Compression ring without thread .....	See Pos. 11	See Pos. 11
14	1	Retaining ring .....		
15	6	Screw .....	See Pos. 11	See Pos. 11
15a	6	Washer .....	See Pos. 11	See Pos. 11
16	1	Screw for adapter guard .....	9611-99-2544	9611-99-2544
17	1	Adapter guard .....	9612-1311-10	9612-1311-11
18	1	Adapter .....	9612-3430-01	9612-3431-01
19	4	Screw for adapter .....	9611-99-2162	9611-99-2163
20	2	Nut .....	9611-99-0353	9611-99-0353
21	2	Washer .....	9611-99-2559	9611-99-2559
29	6	Cap nut .....	9611-99-2593	9611-99-2593
30	6	Washer .....	9611-99-1887	9611-99-1887
31	1	Back plate .....	9612-3892-14	9612-3892-14
32Δ	2	O-ring, EPDM (standard) .....	9611-99-2744	9611-99-2744
	2	O-ring, NBR .....	9611-99-2745	9611-99-2745
	2	O-ring, FPM .....	9611-99-2746	9611-99-2746
35	1	Spacing ring .....	9612-3625-01	9612-3625-01
38	1	Rotating seal housing .....	9612-3624-01	9612-3624-01
40	1	Impeller .....	9612-3604-03	9612-3604-03
41Δ○	2	O-ring, EPDM (standard) .....	9611-99-2750	9611-99-2750
	2	O-ring, NBR .....	9611-99-2751	9611-99-2751
	2	O-ring, FPM .....	9611-99-2752	9611-99-2752
42	1	Pump casing, Tri-Clamp .....	9612-3889-04	9612-3889-04
43Δ○	1	O-ring, EPDM (standard) .....	9611-99-2747	9611-99-2747
	1	O-ring, NBR .....	9611-99-2748	9611-99-2748
	1	O-ring, FPM .....	9611-99-2749	9611-99-2749
44	1	Guide vanes, Interplate .....	9612-3613-01	9612-3613-01
45	1	Impeller .....	9612-3605-01	9612-3605-01
47	1	Impeller screw .....	9612-3627-01	9612-3627-01
48	6	Bolt .....	9612-3635-01	9612-3635-01
49	1	Pump cover, Tri-Clamp .....	9612-3893-04	9612-3893-04
50-58	1	Leg Assembly .....	481663	481665

**Service kit for single shaft seal**

Δ	Service kit, EPDM. ....	9611-92-2096
Δ	Service kit, NBR. ....	9611-92-2097
Δ	Service kit, FPM. ....	9611-92-2098

**Service kit for flushed shaft seal**

○	Service kit, EPDM. ....	9611-92-2099
○	Service kit, NBR. ....	9611-92-2100
○	Service kit, FPM. ....	9611-92-2101

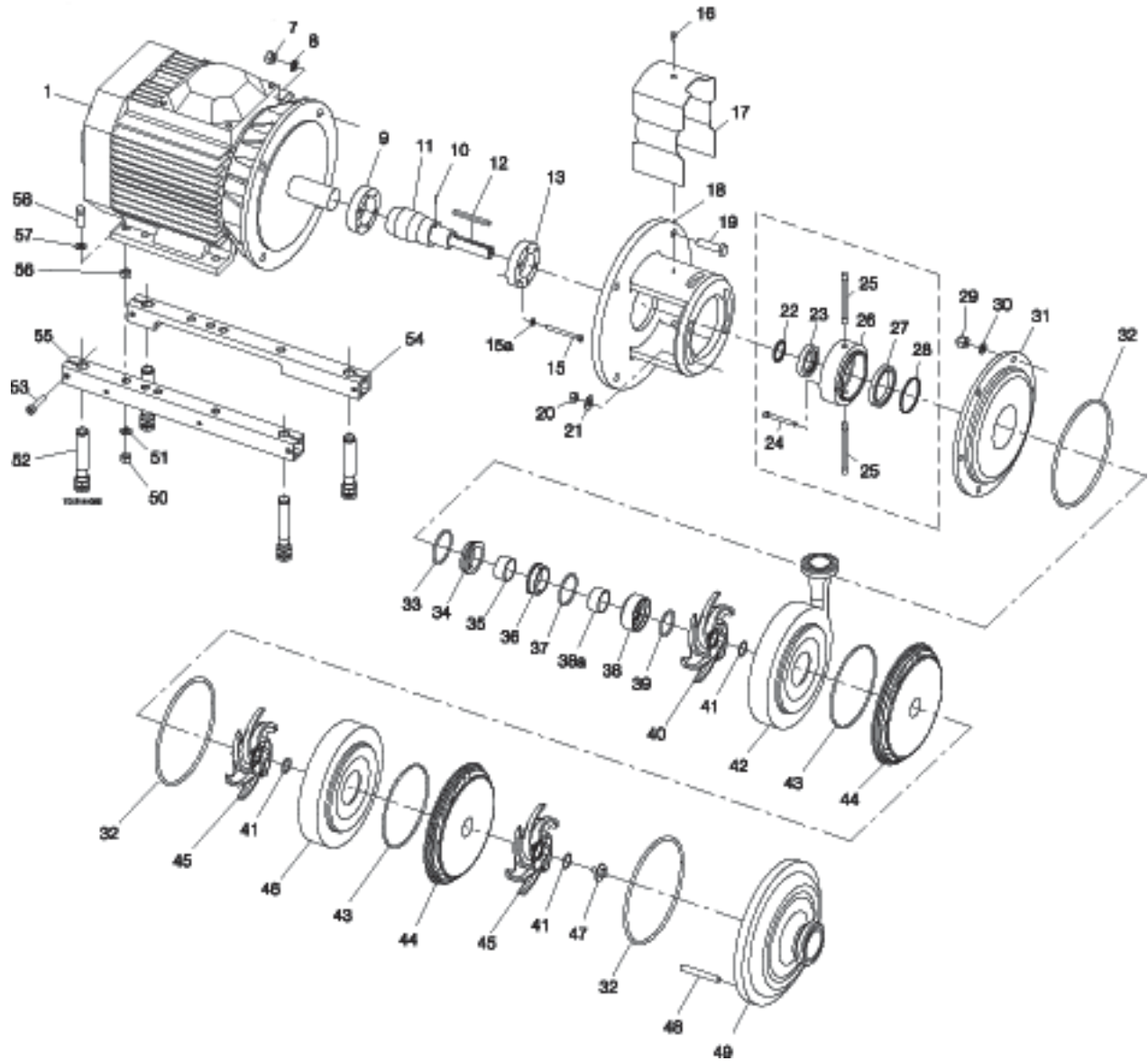
Parts marked with Δ / ○ are included in the service kits.

**Conversion kit**

- 1 single to flushed shaft seal .. 9611-92-2138  
(The conversion kit contains Pos. 22+23+24+25+26+27+28)

Recommended Spare Parts: Service kits.	Single Shaft Seal Service Kit Sic/Sic	Flushed Shaft Seal Service Kit Sic/Sic
	EPDM 9611-92-2655	EPDM 9611-92-3658
	NBR 9611-92-2656	NBR 9611-92-2659
	FPM 9611-92-2657	FPM 9611-92-2660

900022/0



1. Parts List / Exploded Drawing

1.3 LKH-113, Single and Flushed Shaft Seal

Pos.	Qty.	Denomination	15-20 HP Part No.	25-30 HP Part No.
1	1	Motor .....		
4	4	Screw.....	9611-99-3240	9611-99-3241
7	4	Nut for adapter.....	9611-99-0587	9611-99-2160
8	4	Washer for adapter.....	9611-99-0676	9611-99-1886
9	1	Compression ring with thread.....	See Pos. 11	See Pos. 11
10	1	Connex pin .....	9611-99-0622	9611-99-0622
11	1	Shaft set (incl. Pos. 9, 13, 15 and 15a).....	9612-3888-07	9612-3888-07
12	1	Key.....	9611-99-2757	9611-99-2757
13	1	Compression ring without thread.....	See Pos. 11	See Pos. 11
15	6	Screw.....	See Pos. 11	See Pos. 11
15a	6	Washer.....	See Pos. 11	See Pos. 11
16	1	Screw for adapter guard.....	9611-99-2544	9611-99-2544
17	1	Adapter guard .....	9612-1311-11	9612-1311-11
18	1	Adapter .....	9612-3431-01	9612-3431-02
19	4	Screw for adapter.....	9611-99-2162	9611-99-2163
20	2	Nut.....	9611-99-0353	9611-99-0353
21	2	Washer.....	9611-99-2559	9611-99-2559
29	6	Cap nut .....	9611-99-2593	9611-99-2593
30	6	Washer .....	9611-99-1887	9611-99-1887
31	1	Back plate.....	9612-3892-14	9612-3892-14
32Δ○	3	O-ring, EPDM (standard) .....	9611-99-2744	9611-99-2744
	3	O-ring, NBR .....	9611-99-2745	9611-99-2745
	3	O-ring, FPM.....	9611-99-2746	9611-99-2746
35	1	Spacing ring .....	9612-3625-01	9612-3625-01
38	1	Rotating seal housing .....	9612-3624-01	9612-3624-01
40	1	Impeller .....	9612-3604-03	9612-3604-03
41Δ○	3	O-ring, EPDM (standard) .....	9611-99-2750	9611-99-2750
	3	O-ring, NBR .....	9611-99-2751	9611-99-2751
	3	O-ring, FPM.....	9611-99-2752	9611-99-2752
42	1	Pump casing, Tri-Clamp .....	9612-3889-04	9612-3889-04
43Δ○	2	O-ring, EPDM (standard) .....	9611-99-2747	9611-99-2747
	2	O-ring, NBR .....	9611-99-2748	9611-99-2748
	2	O-ring, FPM.....	9611-99-2749	9611-99-2749
44	2	Guide vanes, Interplate.....	9612-3613-01	9612-3613-01
45	2	Impeller .....	9612-3605-01	9612-3605-01
46	1	Intermediate casing .....	9612-3610-01	9612-3610-01
47	1	Impeller screw .....	9612-3627-01	9612-3627-01
48	6	Bolt .....	9612-3635-02	9612-3635-02
49	1	Pump cover, Tri-Clamp.....	9612-3893-04	9612-3893-04
50-58	1	Leg assembly .....	481665	481669

<b>Service kit for single shaft seal</b>	<b>Service Kit</b>	<b>Sic/Sic</b>
Δ Service kit, EPDM.....	9611-92-2102	9611-92-2661
Δ Service kit, NBR.....	9611-92-2103	9611-92-2662
Δ Service kit, FPM.....	9611-92-2104	9611-92-2663

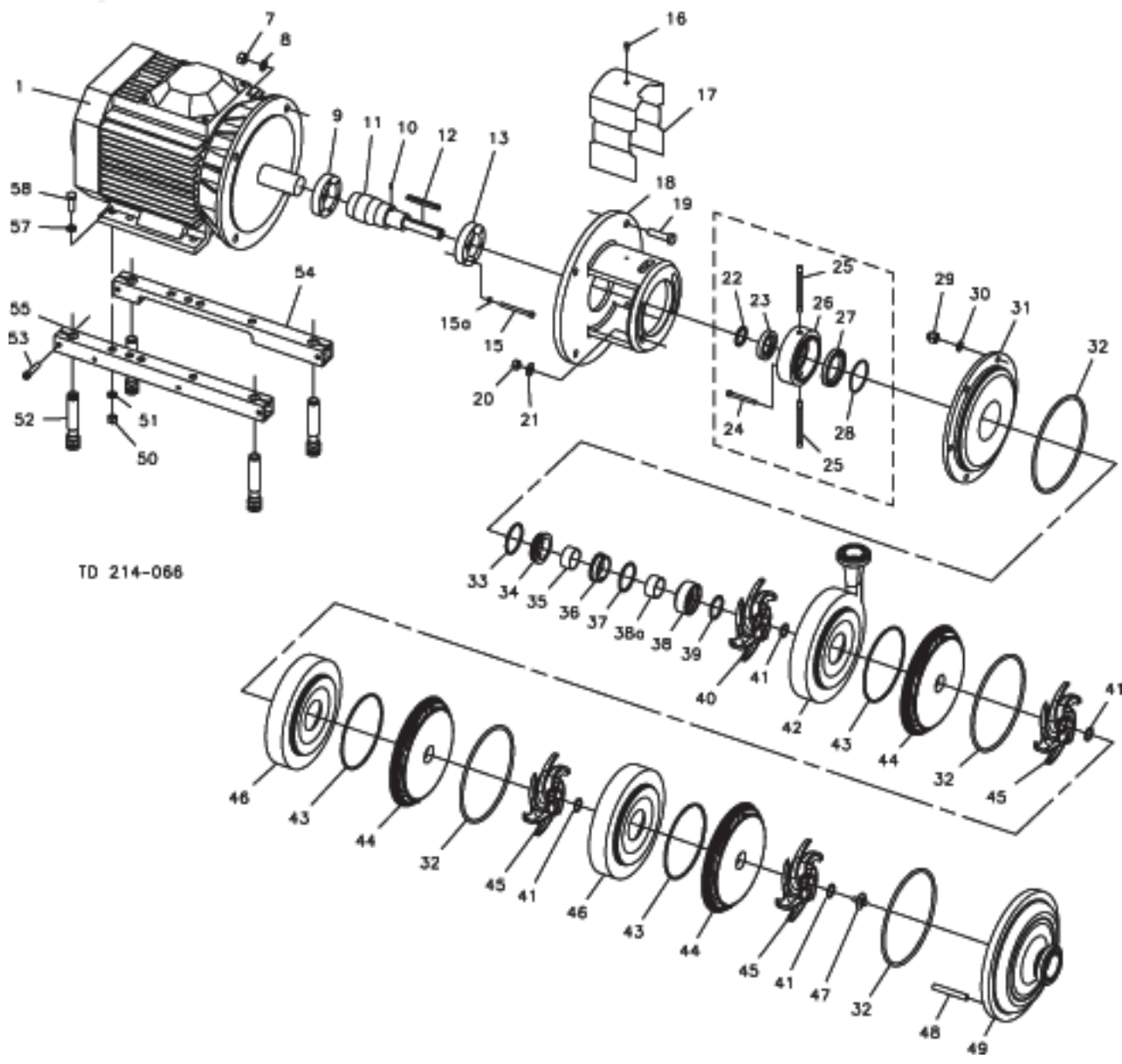
<b>Service kit for flushed shaft seal</b>		
○ Service kit, EPDM.....	9611-92-2105	9611-92-2664
○ Service kit, NBR.....	9611-92-2106	9611-92-2665
○ Service kit, FPM.....	9611-92-2107	9611-92-2666

Parts marked with Δ/○ are included in the service kits.

**Conversion kits**  
 Single to flushed shaft seal ..... 9611-92-2138  
 (The conversion kit contains pos. 22+23+24+25+26+27+28)

Recommended Spare Parts: Service kits.

900023/0



# 1. Parts List / Exploded Drawing

# 1.4 LKH-114, Single and Flushed Shaft Seal

Pos.	Qty.	Denomination	15-20 HP Part No.	25-30 HP Part No.
1	1	Motor .....		
4	4	Screw .....	9611-99-3240	9611-99-3241
7	4	Nut for adapter .....	9611-99-0587	9611-99-2160
8	4	Washer for adapter .....	9611-99-0676	9611-99-1886
9	1	Compression ring with thread .....	See Pos. 11	See Pos. 11
10	1	Connex pin for flushed shaft seal .....	9611-99-0622	9611-99-0622
11	1	Shaft Set (incl. pos. 9, 13,15, and 15a) .....	9612-3888-09	9612-3888-09
12	1	Key .....	9611-99-2758	9611-99-2758
13	1	Compression ring without thread .....	See Pos. 11	See Pos. 11
15	6	Screw .....	See Pos. 11	See Pos. 11
15a	6	Washer .....	See Pos. 11	See Pos. 11
16	1	Screw for adaptor guard .....	9611-99-2544	9611-99-2544
17	1	Adapter guard .....	9612-1311-11	9612-1311-11
18	1	Adapter .....	9612-3431-01	9612-3431-02
19	4	Screw for adapter .....	9611-99-2162	9611-99-2163
20	2	Nut .....	9611-99-0353	9611-99-0353
21	2	Washer .....	9611-99-2559	9611-99-2559
29	6	Cap nut .....	9611-99-2593	9611-99-2593
30	6	Washer .....	9611-99-1887	9611-99-1887
31	1	Back plate .....	9612-3892-08	9612-3892-08
32Δ○	4	O-ring, EPDM (standard) .....	9611-99-2744	9611-99-2744
	4	O-ring, NBR .....	9611-99-2745	9611-99-2745
	4	O-ring, FPM .....	9611-99-2746	9611-99-2746
35	1	Spacing ring .....	9612-3625-01	9612-3625-01
38	1	Rotating seal housing .....	9612-3624-01	9612-3624-01
40	1	Impeller .....	9612-3604-03	9612-3604-03
41Δ○	4	O-ring, EPDM (standard) .....	9611-99-2750	9611-99-2750
	4	O-ring, NBR .....	9611-99-2751	9611-99-2751
	4	O-ring, FPM .....	9611-99-2752	9611-99-2752
42	1	Pump casing, Tri-Clamp .....	9612-3889-04	9612-3889-04
43Δ○	3	O-ring, EPDM (standard) .....	9611-99-2747	9611-99-2747
	3	O-ring, NBR .....	9611-99-2748	9611-99-2748
	3	O-ring, FPM .....	9611-99-2749	9611-99-2749
44	3	Guide vanes, Interplate .....	9612-3613-01	9612-3613-01
45	3	Impeller .....	9612-3605-01	9612-3605-01
46	2	Intermediate casing .....	9612-3610-01	9612-3610-01
47	1	Impeller screw .....	9612-3627-01	9612-3627-01
48	6	Bolt .....	9612-3635-03	9612-3635-03
49	1	Pump cover, Tri-Clamp .....	9612-3893-04	9612-3893-04
50-58	1	Leg Assembly .....	481665	481669

### Recommended Spare Parts: Service kits.

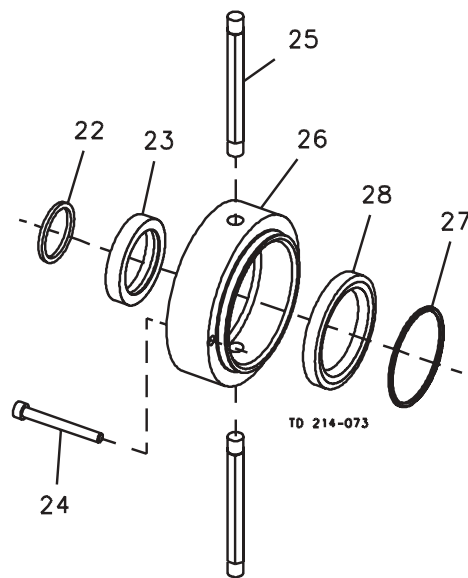
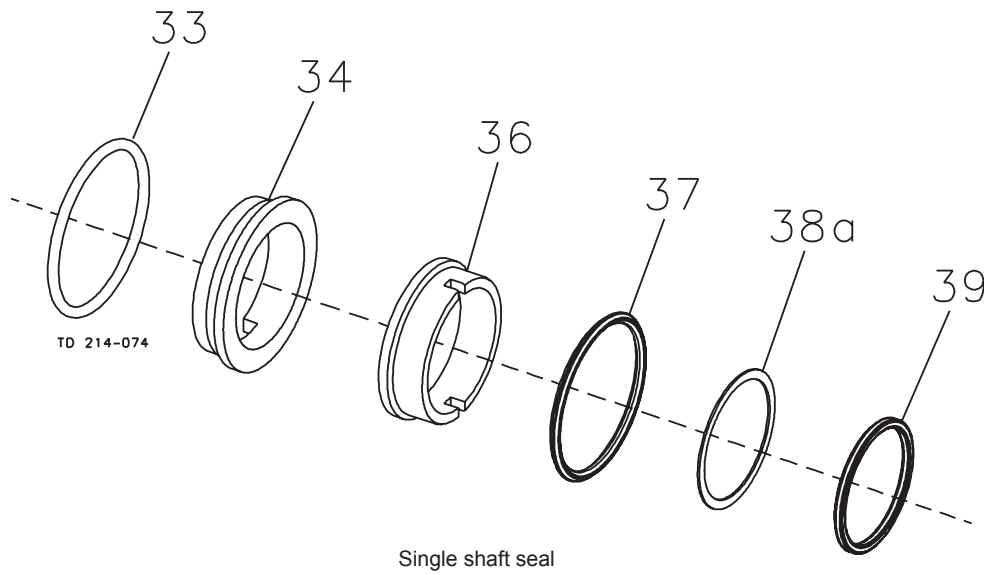
Service kit for single shaft seal		Sic/Sic	Service kit for flushed shaft seal		Sic/Sic	
Δ	Service kit, EPDM .....	9611-92-2108	9611-92-2667	○ Service kit, EPDM .....	9611-92-2111	9611-92-2670
Δ	Service kit, NBR .....	9611-92-2109	9611-92-2668	○ Service kit, NBR .....	9611-92-2112	9611-92-2671
Δ	Service kit, FPM .....	9611-92-2110	9611-92-2669	○ Service kit, FPM .....	9611-92-2113	9611-92-2672

Parts marked with Δ/○ are incl. in the service kits.

### Conversion kit

1 single to flushed shaft seal .....

(The conversion kit contains Pos. 22+23+24+25+26+27+28)



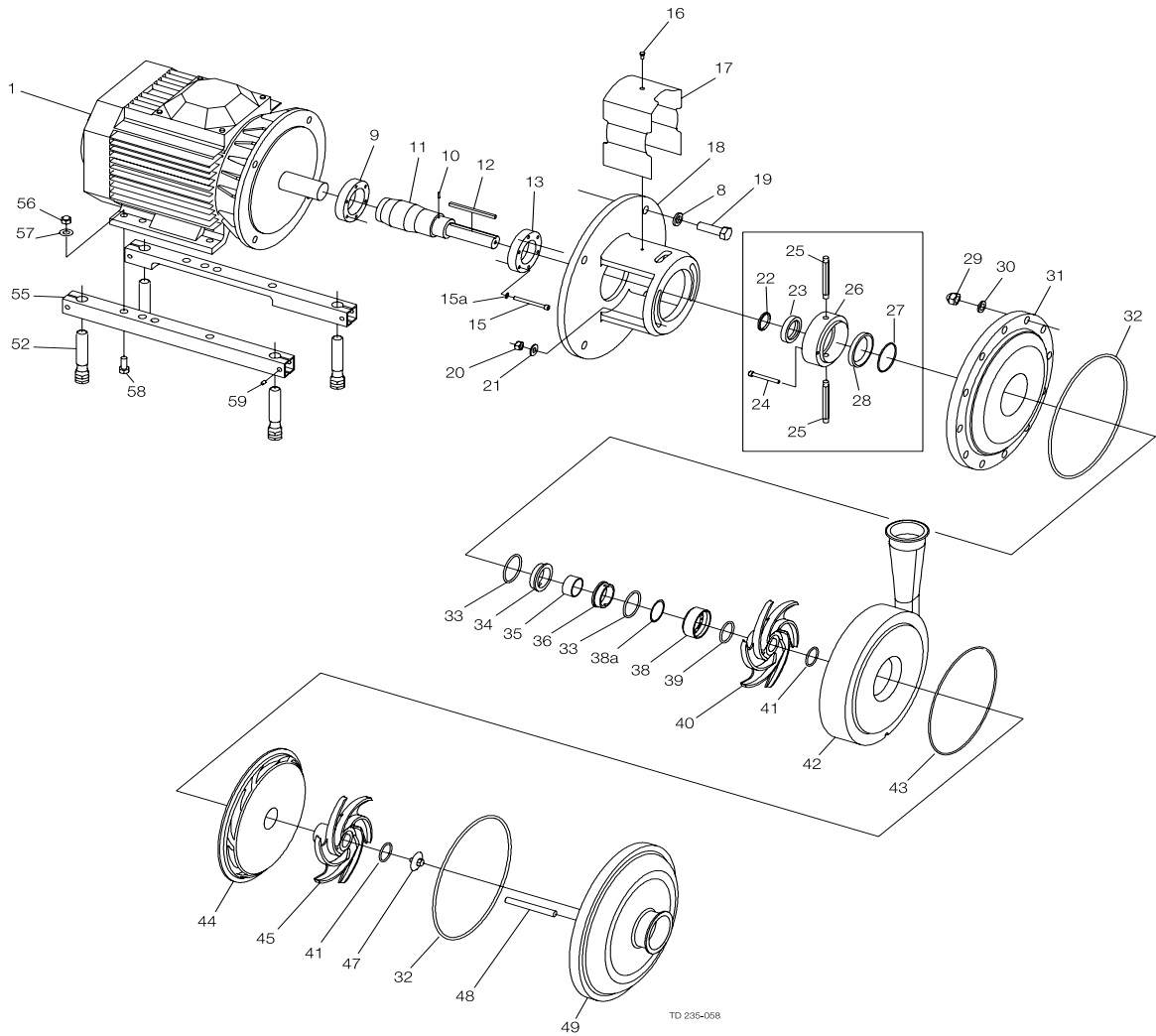
Pos.	Qty.	Denomination	7.5-20 HP	Pos.	Qty.	Denomination	7.5-20 HP
<b>Parts for flushed shaft seal</b>				<b>Alternatives</b>			
22	1	O-ring, EPDM.....	9611-99-2754	<b>Shaft seal complete EPDM (standard) ..... 9612-3622-04</b>			
23	1	Sleeve .....	9612-3629-01	33	1	O-ring, EPDM.....	9611-99-2727
24	2	Screw .....	9611-99-0203	34	1	Stationary seal ring, Sic. ....	9612-3633-01
25	2	Tube .....	9612-3589-02	36	1	Rotating seal ring, Sic. ....	9612-3634-02
26	1	Seal housing for flushed seal .....	9612-3626-01	37	1	Quad ring, EPDM.....	9611-99-2730
27	1	O-ring, EPDM.....	9611-99-2753	38a	1	Support ring, PTFE.....	9612-4571-01
28	1	Lip seal .....	9611-99-2860	39	1	Quad ring, EPDM.....	9611-99-2733
<b>ΔO Shaft seal complete EPDM (standard) ..... 9612-3622-01</b>				<b>Shaft seal complete NBR..... 9612-3622-05</b>			
33	1	O-ring, EPDM.....	9611-99-2727	33	1	O-ring, NBR.....	9611-99-2728
34	1	Stationary seal ring, Sic. ....	9612-3633-01	34	1	Stationary seal ring, Sic.....	9612-3633-01
36	1	Rotating seal ring, Carbon .....	9612-3634-01	36	1	Rotating seal ring, Sic. ....	9612-3634-02
37	1	Quad ring, EPDM .....	9611-99-2730	37	1	Quad ring, NBR.....	9611-99-2731
38a	1	Support ring, PTFE .....	9612-4571-01	38a	1	Support ring, PTFE.....	9612-4571-01
39	1	Quad ring, EPDM .....	9611-99-2733	39	1	Quad ring, NBR.....	9611-99-2734
<b>ΔO Shaft seal complete NBR ..... 9612-3622-02</b>				<b>Shaft seal complete FPM..... 9612-3622-06</b>			
33	1	O-ring, NBR .....	9611-99-2728	33	1	O-ring, FPM.....	9611-99-2729
34	1	Stationary seal ring, Sic. ....	9612-3633-01	34	1	Stationary seal ring, Sic.....	9612-3633-01
36	1	Rotating seal ring, Carbon .....	9612-3634-01	36	1	Rotating seal ring, Sic. ....	9612-3634-02
37	1	Quad ring, NBR .....	9611-99-2731	37	1	Quad ring, FPM.....	9611-99-2732
38a	1	Support ring, PTFE .....	9612-4571-01	38a	1	Support ring, PTFE.....	9612-4571-01
39	1	Quad ring, NBR .....	9611-99-2734	39	1	Quad ring, FPM.....	9611-99-2735
<b>ΔO Shaft seal complete FPM ..... 9612-3622-03</b>							
33	1	O-ring, FPM .....	9611-99-2729				
34	1	Stationary seal ring, Sic. ....	9612-3633-01				
36	1	Rotating seal ring, Carbon .....	9612-3634-01				
37	1	Quad ring, FPM .....	9611-99-2732				
38a	1	Support ring, PTFE .....	9612-4571-01				
39	1	Quad ring, FPM .....	9611-99-2735				

900200/0



# Multi-Stage Centrifugal Pump, Type LKH-122 Single and Flushed Shaft Seal

10



# Multi-Stage Centrifugal Pump, Type LKH-122 Single and Flushed Shaft Seal

Pos.	Qty.	Denomination	25-30Hp	40-50Hp
9	1	Compression ring with thread .....	See Pos. 11	See Pos. 11
10	1	Connex pin .....	9611-99-0622	9611-99-0622
11	1	Shaft Set (incl. pos. 9, 13, 15, and 15a).....	Contact Sales	Contact Sales
12	1	Key .....	9611-99-3476	9611-99-3476
13	1	Compression ring without thread .....	See Pos. 11	See Pos. 11
15	6	Screw .....	See Pos. 11	See Pos. 11
15a	6	Washer .....	See Pos. 11	See Pos. 11
16	1	Screw for safety guard .....	9611-99-2544	9611-99-2544
17	1	Safety guard .....	9612-1311-11	9612-1311-11
18	1	Adapter .....	9612-3431-02	9612-3426-02
19	4	Screw for adapter .....	9611-99-4415	9611-99-4415
19a	4	Spring washer for adapter.....	9611-99-4418	9611-99-4418
20	4	Nut .....	9611-99-0353	9611-99-0353
21	4	Washer .....	9611-99-2559	9611-99-2559
29	11	Cap nut .....	9611-99-3685	9611-99-3685
30	11	Washer .....	9611-99-3684	9611-99-3684
31	1	Backplate (3A) .....	9612-3892-25	9612-3892-25
32	2	O-ring, EPDM (standard).....	9611-99-3574	9611-99-3574
	2	O-ring, NBR.....	9611-99-3575	9611-99-3575
	2	O-ring, FPM.....	9611-99-3576	9611-99-3576
35	1	Spacing ring.....	9612-3625-03	9612-3625-03
38	1	Rotating seal housing.....	9612-6045-01	9612-6045-01
40	1	Impeller LKH-120P (3A).....	9612-5906-06	9612-5906-06
41◆○■□	2	O-ring, EPDM (standard).....	9611-99-3578	9611-99-3578
	2	O-ring, NBR.....	9611-99-3579	9611-99-3579
	2	O-ring, FPM.....	9611-99-3580	9611-99-3580
42	1	Pump Casing, Tri-Clamp Polished (3A) .....	9612-5923-04	9612-5923-04
43◆○■□	1	O-ring, EPDM (standard).....	9611-99-3582	9611-99-3582
	1	O-ring, NBR.....	9611-99-3583	9611-99-3583
	1	O-ring, FPM.....	9611-99-3584	9611-99-3584
44	2	Guide vanes.....	9612-5903-02	9612-5903-02
45	2	Impeller LKH-120P (3A).....	9612-5906-05	9612-5906-05
46	1	Intermediate Casing (3A).....	9612-5909-03	9612-5909-03
47	1	Impeller screw (3A) .....	9612-5913-05	9612-5913-05
48	11	Bolt.....	9612-3635-06	9612-3635-06
49	1	Pump cover, Tri-Clamp (3A).....	9612-5924-04	9612-5924-04
<b>Legs</b>				
50-58	1	Leg Assembly.....	481669	9634056195
59	4	Pivot screw .....	9611-99-1763	9611-99-1763
<b>Tool</b>				
		Tool.....	9612-9278-01	

<b>Service kit for single shaft seal</b>	<b>C/SIC</b>	<b>SIC/SIC</b>
Service kit, EPDM.....	◆ 9611-92-2409	■ 9611-92-2673
Service kit, NBR .....	◆ 9611-92-2410	■ 9611-92-2674
Service kit, FPM .....	◆ 9611-92-2411	■ 9611-92-2675

<b>Service kit for flushed shaft seal</b>		
Service kit, EPDM.....	○ 9611-92-2412	□ 9611-92-2676
Service kit, NBR .....	○ 9611-92-2413	□ 9611-92-2677
Service kit, FPM .....	○ 9611-92-2414	□ 9611-92-2678

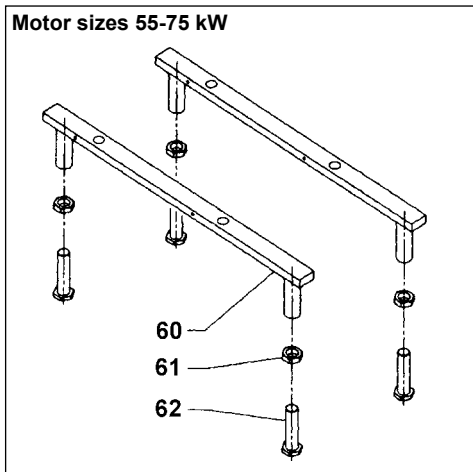
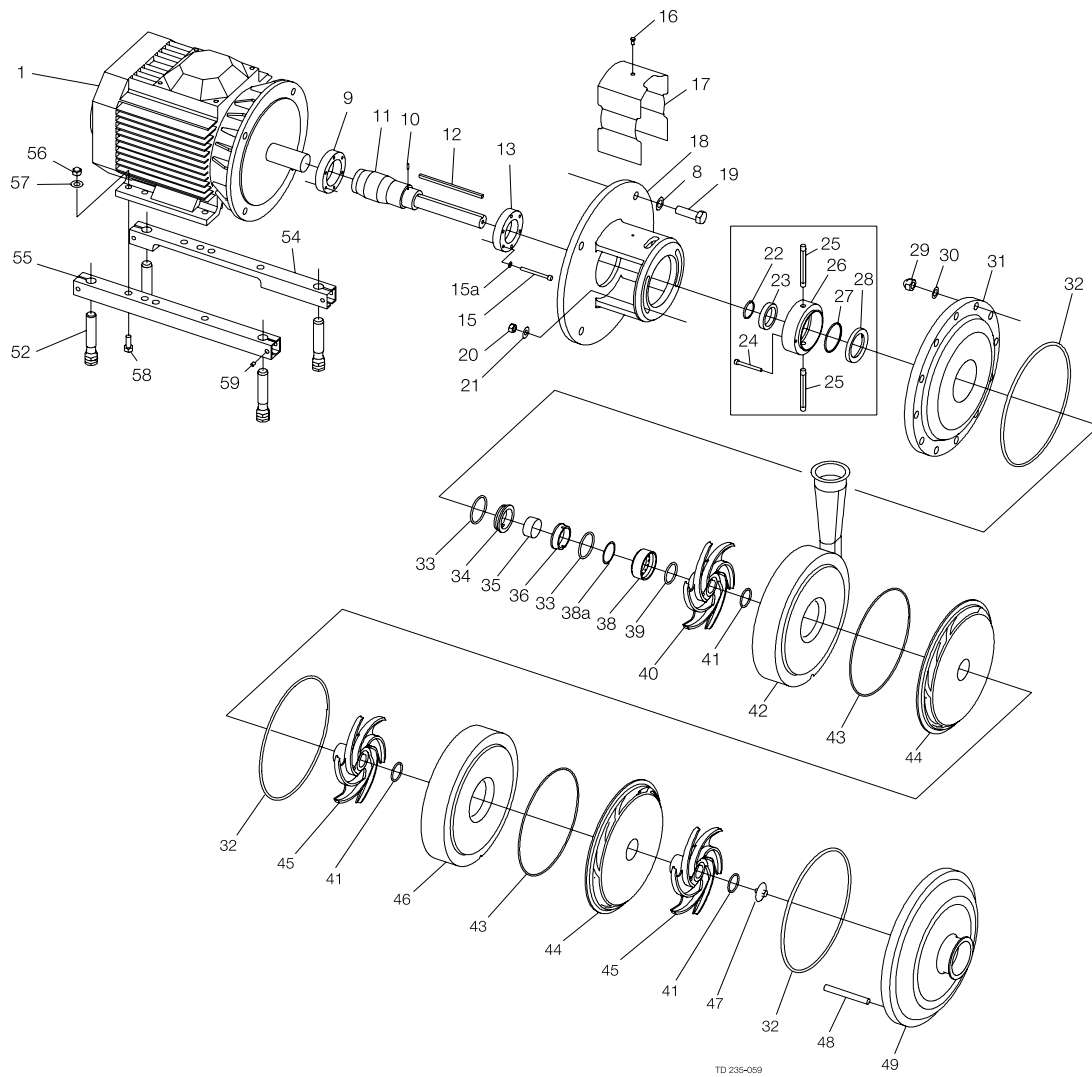
Parts marked with ◆○■□ are included in the service kits.

<b>Conversion kit</b> (contains Pos. 22+23+24+25+26+27+28)	<b>C/SIC</b>
Single to flushed shaft seal, EPDM.....	9611-92-2415

Recommended Spare Parts: Service kits

# Multi-Stage Centrifugal Pump, Type LKH-123 Single and Flushed Shaft Seal

12



# Multi-Stage Centrifugal Pump, Type LKH-123 Single and Flushed Shaft Seal

Pos.	Qty.	Denomination	40-50Hp	60-75Hp	100Hp
9	1	Compression ring with thread .....	See Pos. 11	See Pos. 11	See Pos. 11
10	1	Connex pin .....	9611-99-0622	9611-99-0622	9611-99-0622
11	1	Shaft Set (incl. pos. 9, 13, 15, and 15a) .....	9612-1388-20	9612-1388-20	9612-1388-20
12	1	Key .....	9611-99-2758	9611-99-2758	9611-99-2758
13	1	Compression ring without thread .....	See Pos. 11	See Pos. 11	See Pos. 11
15	6	Screw .....	See Pos. 11	See Pos. 11	See Pos. 11
15a	6	Washer .....	See Pos. 11	See Pos. 11	See Pos. 11
16	1	Screw for adapter guard .....	9611-99-2544	9611-99-2544	9611-99-2544
17	1	Adapter guard .....	9612-1311-11	9612-1311-11	Contact Sales
18	1	Adapter .....	9612-3426-02	9612-3426-02	Contact Sales
19	4	Screw for adapter .....	9611-99-4415	9611-99-4415	9611-99-4415
19a	4	Spring washer for adapter .....	9611-99-4418	9611-99-4418	9611-99-4418
20	4	Nut .....	9611-99-0353	9611-99-0353	9611-99-0353
21	4	Washer .....	9611-99-2559	9611-99-2559	9611-99-2559
29	11	Cap nut .....	9611-99-3685	9611-99-3685	9611-99-3685
30	11	Washer .....	9611-99-3684	9611-99-3684	9611-99-3684
31	1	Backplate (3A) .....	9612-3892-25	9612-3892-25	9612-3892-25
32	◆○■□ 3	O-ring, EPDM (standard) .....	9611-99-3574	9611-99-3574	9611-99-3574
	3	O-ring, NBR .....	9611-99-3575	9611-99-3575	9611-99-3575
	3	O-ring, FPM .....	9611-99-3576	9611-99-3576	9611-99-3576
35	1	Spacing ring .....	9612-3625-03	9612-3625-03	9612-3625-03
38	1	Rotating seal housing .....	9612-6045-01	9612-6045-01	9612-6045-01
40	1	Impeller LKH-120P (3A) .....	9612-5906-06	9612-5906-06	9612-5906-06
41	◆○■□ 3	O-ring, EPDM (standard) .....	9611-99-3578	9611-99-3578	9611-99-3578
	3	O-ring, NBR .....	9611-99-3579	9611-99-3579	9611-99-3579
	3	O-ring, FPM .....	9611-99-3580	9611-99-3580	9611-99-3580
42	1	Pump casing, Tri-Clamp Polished (3A) .....	9612-5923-04	9612-5923-04	9612-5923-04
43	◆○■□ 2	O-ring, EPDM (standard) .....	9611-99-3582	9611-99-3582	9611-99-3582
	2	O-ring, NBR .....	9611-99-3583	9611-99-3583	9611-99-3583
	2	O-ring, FPM .....	9611-99-3584	9611-99-3584	9611-99-3584
44	2	Guide vanes .....	9612-5903-02	9612-5903-02	9612-5903-02
45	2	Impeller LKH-120P (3A) .....	9612-5906-05	9612-5906-05	9612-5906-05
46	1	Intermediate casing (3A) .....	9612-5909-03	9612-5909-03	9612-5909-03
47	1	Impeller screw (3A) .....	9612-5913-05	9612-5913-05	9612-5913-05
48	11	Bolt .....	9612-3635-07	9612-3635-07	9612-3635-07
49	1	Pump cover, Tri-Clamp (3A) .....	9612-5924-04	9612-5924-04	9612-5924-04
<b>Legs</b>					
50-58	1	Leg Assembly .....	9634056195	9634056196	9634056196
59	4	Pivot screw .....	9611-99-1763	9611-99-1763	9611-99-1763
<b>Tool</b>					
		Tool .....	9612-9278-01		

<b>Service kit for single shaft seal</b>		<b>C/SIC</b>	<b>SIC/SIC</b>
Service kit, EPDM .....	◆	9611-92-2934	■ 9611-92-2679
Service kit, NBR .....	◆	9611-92-2935	■ 9611-92-2680
Service kit, FPM .....	◆	9611-92-2936	■ 9611-92-2681

<b>Service kit for flushed shaft seal</b>			
Service kit, EPDM .....	○	9611-92-2937	□ 9611-92-2682
Service kit, NBR .....	○	9611-92-2938	□ 9611-92-2683
Service kit, FPM .....	○	9611-92-2939	□ 9611-92-2684

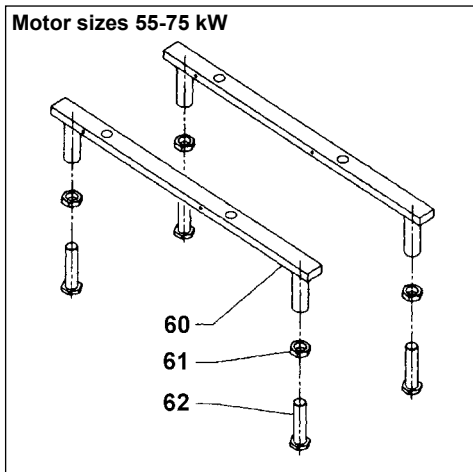
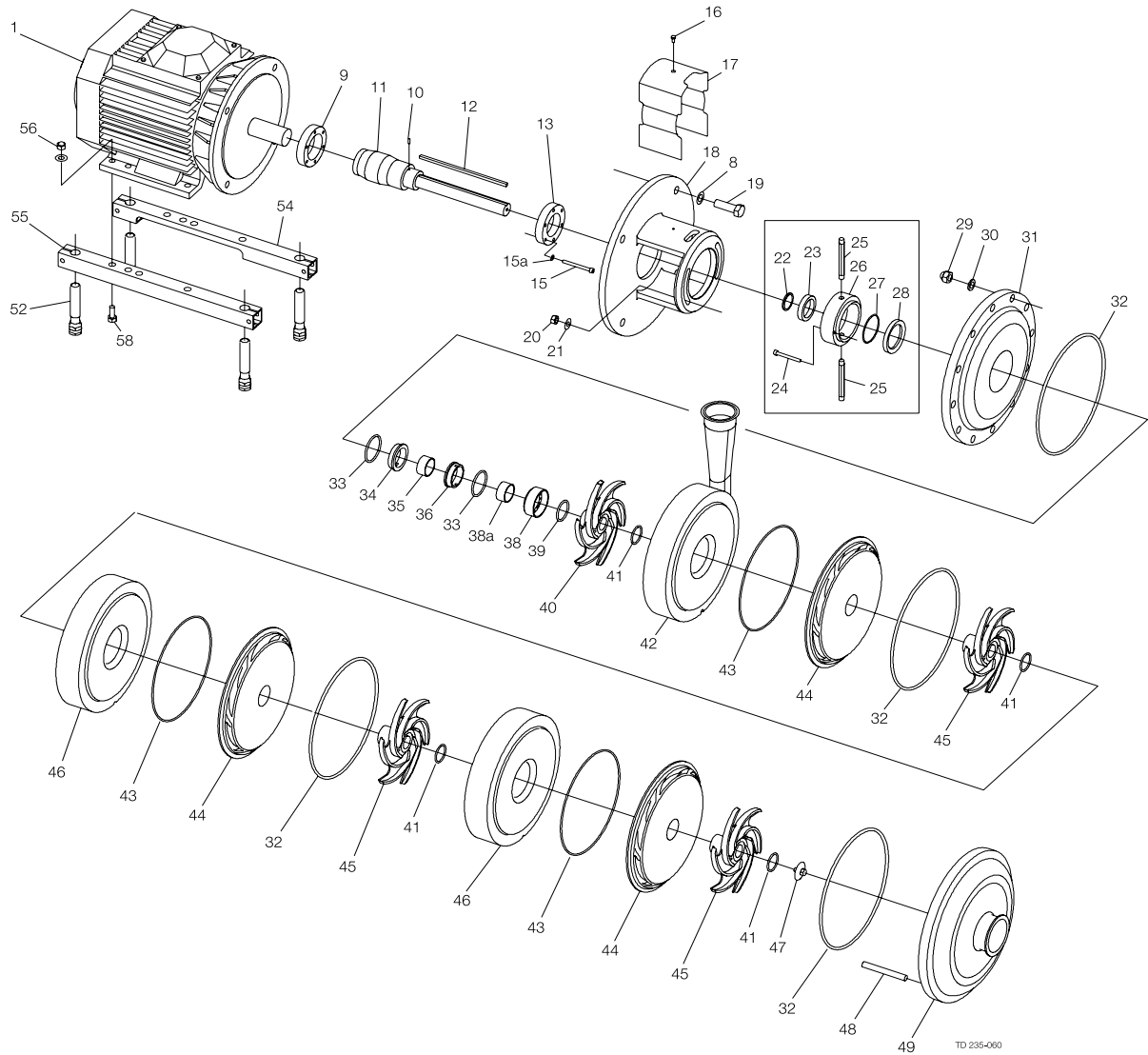
Parts marked with ◆○■□ are included in the service kits.

**Conversion kit** (contains Pos. 22+23+24+25+26+27+28) **C/SIC**  
Single to flushed shaft seal, EPDM ... 9611-92-2415

Recommended Spare Parts: Service kits

# Multi-Stage Centrifugal Pump, Type LKH-124 Single and Flushed Shaft Seal

14



# Multi-Stage Centrifugal Pump, Type LKH-124 Single and Flushed Shaft Seal

Pos.	Qty.	Denomination	40-50Hp	60-75Hp	100Hp
9	1	Compression ring with thread.....	9612-1336-04	9612-1336-04	9612-1336-07
10	1	Connex pin .....	See Pos. 11	See Pos. 11	See Pos. 11
11	1	Shaft Set (incl. pos. 9, 13, 15, and 15a).....	9612-3888-27	9612-3888-27	Contact Sales
12	1	Key.....	9611-99-2758	9611-99-2758	9611-99-2758
13	1	Compression ring without thread.....	See Pos. 11	See Pos. 11	See Pos. 11
15	6	Screw.....	See Pos. 11	See Pos. 11	See Pos. 11
15a	6	Washer.....	See Pos. 11	See Pos. 11	See Pos. 11
16	1	Screw for adapter guard.....	9611-99-2544	9611-99-2544	9611-99-2544
17	1	Adapter guard.....	9612-1311-11	9612-1311-11	Contact Sales
18	1	Adapter.....	9612-3426-02	9612-3426-02	Contact Sales
19	4	Screw for adaptor.....	9611-99-4415	9611-99-4415	9611-99-4415
19a	4	Spring washer for adaptor.....	9611-99-4418	9611-99-4418	9611-99-4418
20	4	Nut.....	9611-99-0353	9611-99-0353	9611-99-0353
21	4	Washer.....	9611-99-2559	9611-99-2559	9611-99-2559
29	11	Cap nut .....	9611-99-3685	9611-99-3685	9611-99-3685
30	11	Washer .....	9611-99-3684	9611-99-3684	9611-99-3684
31	1	Backplate (3A) .....	9612-3892-25	9612-3892-25	9612-3892-25
32◆○■□	4	O-ring, EPDM (standard).....	9611-99-3574	9611-99-3574	9611-99-3574
	4	O-ring, NBR .....	9611-99-3575	9611-99-3575	9611-99-3575
	4	O-ring, FPM.....	9611-99-3576	9611-99-3576	9611-99-3576
35	1	Spacing ring .....	9612-3625-03	9612-3625-03	9612-3625-03
38	1	Rotating seal housing .....	9612-6045-01	9612-6045-01	9612-6045-01
40	1	Impeller LKH-120P (3A).....	9612-5906-06	9612-5906-06	9612-5906-06
41◆○■□	4	O-ring, EPDM (standard).....	9611-99-3578	9611-99-3578	9611-99-3578
	4	O-ring, NBR .....	9611-99-3579	9611-99-3579	9611-99-3579
	4	O-ring, FPM.....	9611-99-3580	9611-99-3580	9611-99-3580
42	1	Pump Casing, Tri-Clamp Polished (3A).....	9612-5923-04	9612-5923-04	9612-5923-04
43◆○■□	3	O-ring, EPDM (standard).....	9611-99-3582	9611-99-3582	9611-99-3582
	3	O-ring, NBR .....	9611-99-3583	9611-99-3583	9611-99-3583
	3	O-ring, FPM.....	9611-99-3584	9611-99-3584	9611-99-3584
44	2	Guide vanes .....	9612-5903-02	9612-5903-02	9612-5903-02
45	3	Impeller LKH-120P (3A) .....	9612-5906-05	9612-5906-05	9612-5906-05
46	2	Intermediate casing (3A).....	9612-5909-03	9612-5909-03	9612-5909-03
47	1	Impeller screw (3A).....	9612-5913-05	9612-5913-05	9612-5913-05
48	11	Bolt .....	9612-3635-07	9612-3635-07	9612-3635-07
49	1	Pump Cover, Tri-Clamp (3A) .....	9612-5924-04	9612-5924-04	9612-5924-04
<b>Legs</b>					
50-58	1	Nut.....	9634056195	9634056195	9634056195
59	4	Pivot screw.....	9611-99-1763	9611-99-1763	9611-99-1763
<b>Tool</b>					
		Tool .....	9612-9278-01		

**Service kit for single shaft seal**

	C/SIC	SIC/SIC
◆ Service kit, EPDM .....	◆ 9611-92-2940	■ 9611-92-2685
◆ Service kit, NBR.....	◆ 9611-92-2941	■ 9611-92-2686
◆ Service kit, FPM.....	◆ 9611-92-2942	■ 9611-92-2687

**Service kit for flushed shaft seal**

○ Service kit, EPDM .....	○ 9611-92-2943	□ 9611-92-2688
○ Service kit, NBR.....	○ 9611-92-2944	□ 9611-92-2689
○ Service kit, FPM.....	○ 9611-92-2945	□ 9611-92-2690

Parts marked with ◆○■□ are included in the service kits.

**Conversion kit** (contains Pos. 22+23+24+25+26+27+28) C/SIC  
Single to flushed shaft seal, EPDM ..... 9611-92-2415

Recommended Spare Parts: Service kits

# Multi-Stage Centrifugal Pump, Type LKH-122-124

## Shaft Seals

16

Pos.	Qty.	Denomination	40-100Hp
<b>For flushed shaft seal</b>			
22	○□ 1	O-ring, EPDM.....	9611-99-3586
23	1	Sleeve.....	9612-3629-03
24	2	Screw.....	9611-99-4038
25	2	Tube.....	9612-3589-09
26	1	Seal housing for flushed seal.....	9612-3626-03
27	○□ 1	O-ring, EPDM.....	9611-99-2753
28	○□ 1	Lip seal.....	9611-99-3587
■□		Shaft seal complete EPDM.....	9612-6024-04
34	1	Stationary seal ring, Sic.....	9612-6025-01
36	1	Rotating seal ring, Sic.....	9612-6026-02
33	2	O-ring, EPDM.....	9611-99-3696
38a	1	Support ring.....	9612-6027-01
39	1	O-ring, EPDM.....	9611-99-3699
■□		Shaft seal complete NBR.....	9612-6024-05
34	1	Stationary seal ring, Sic.....	9612-6025-01
36	1	Rotating seal ring, Sic.....	9612-6026-02
33	2	O-ring, NBR.....	9611-99-3697
38a	1	Support ring.....	9612-6027-01
39	1	O-ring, NBR.....	9611-99-3700
■□		Shaft seal complete FPM.....	9612-6024-06
34	1	Stationary seal ring, Sic.....	9612-6025-01
36	1	Rotating seal ring, Sic.....	9612-6026-02
33	2	O-ring, FPM.....	9611-99-3698
38a	1	Support ring.....	9612-6027-01
39	1	O-ring, FPM.....	9611-99-3701

900251/1