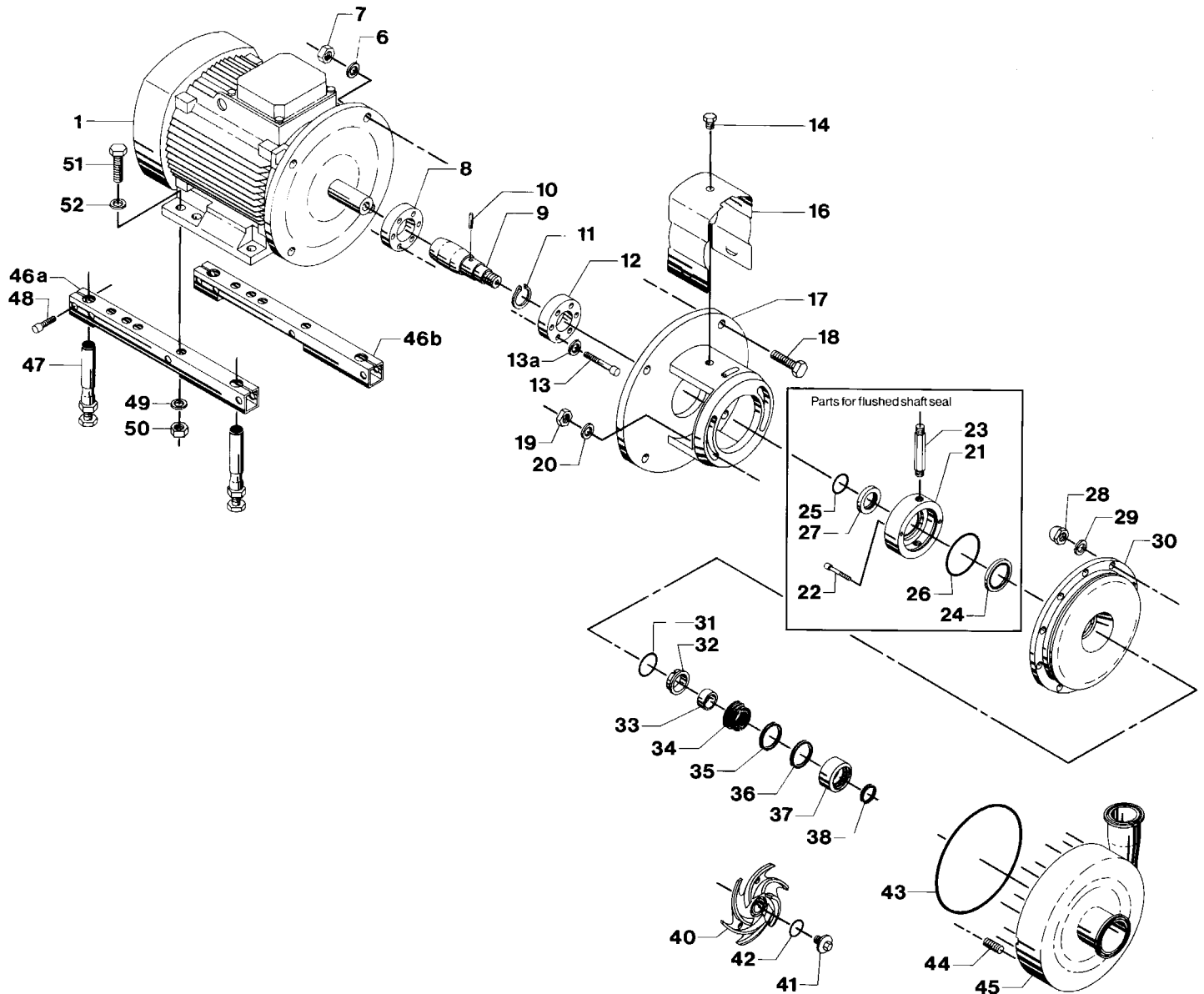


1.1 Pump for high inlet pressure, Type LKHP-10
Single and Flushed Shaft Seal

1. Parts List / Exploded Drawing



1. Parts List / Exploded Drawing

1.1 Pump for high inlet pressure, Type LKHP-10
Single and Flushed Shaft Seal

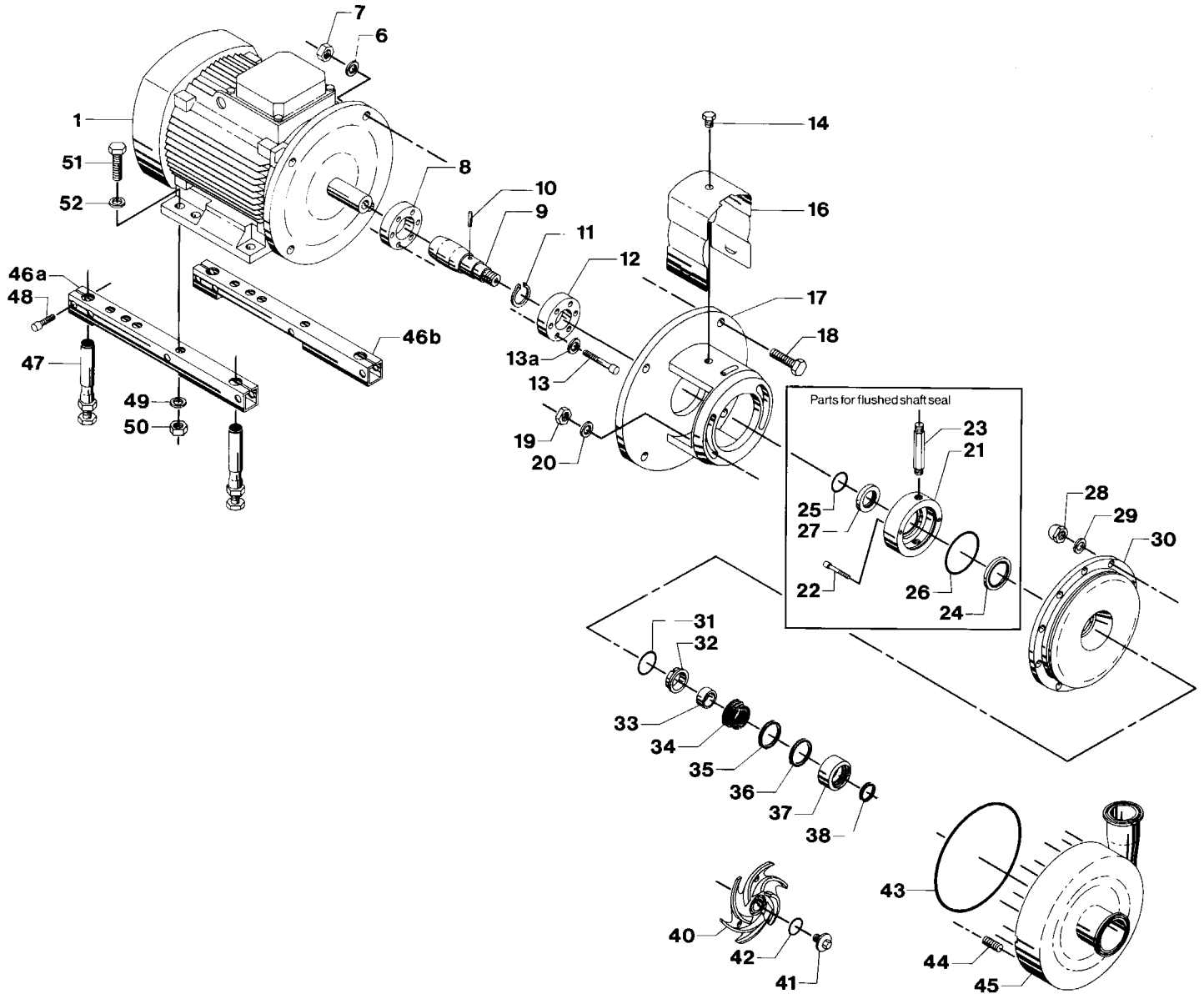
Pos.	Qty.	Denomination	1.5-2 HP	3-5 HP
1	1	Motor		
3	4	Screw	9611-99-3240	9611-99-3240
8	1	Compression ring with thread	9612-1336-01	9612-1336-02
9	1	Shaft with internal/external thread and pin (pos.10)		9612-1331-02
	1	Shaft with internal/external thread, pin (pos.10) and retaining ring (pos.11)	9612-1330-02	
10	1	Connex pin	9611-99-0622	9611-99-0622
11	1	Retaining ring	9611-99-2307	
12	1	Compression ring without thread	9612-1337-01	9612-1337-02
13	6	Screw	9611-99-3196	9611-99-3196
13a	6	Washer	9611-99-3199	9611-99-3199
14	1	Screw for safety guard	9611-99-3239	9611-99-3239
16	1	Safety guard	9612-1297-03	9612-1311-06
17	1	Adaptor	9612-1359-10	9612-1359-11
18	4	Screw for adaptor	9611-99-2161	9611-99-1834
19	2	Nut	9611-99-0353	9611-99-0353
20	2	Washer	9611-99-2559	9611-99-2559
28	10	Cap nut	9611-99-2592	9611-99-2592
29	10	Washer	9611-99-1888	9611-99-1888
30	1	Back plate	883-41223	883-41223
33	1	Spacing ring	9612-3625-02	9612-3625-02
37	1	Rotating seal housing	9612-3624-01	9612-3624-01
43	□○◆★	Joint ring, EPDM, (standard)	9611-99-2137	9611-99-2137
	1	Joint ring, NBR	9611-99-2139	9611-99-2139
	1	Joint ring, FPM	9611-99-2138	9611-99-2138
44	10	Bolt	9611-99-2168	9611-99-2168
45	1	Pump casing, Clamp	9612-4840-06	9612-4840-06
46a-52	1	Leg Assembly	481656	481663
Alternatives				
40	1	Impeller for impeller screw	9612-4081-04	9612-4081-04
41	1	Impeller screw	9612-1356-03	9612-1396-03
42	○★	O-ring, EPDM	9611-99-2145	9611-99-2145
	1	O-ring, NBR	9611-99-2147	9611-99-2147
	1	O-ring, FPM	9611-99-2146	9611-99-2146

Recommended Spare Parts: Service kits.

1.1 Pump for high inlet pressure, Type LKHP-10
Single and Flushed Shaft Seal

1. Parts List / Exploded Drawing

(Same drawing as previous drawing)



1. Parts List / Exploded Drawing

1.1 Pump for high inlet pressure, Type LKHP-10
Single and Flushed Shaft Seal

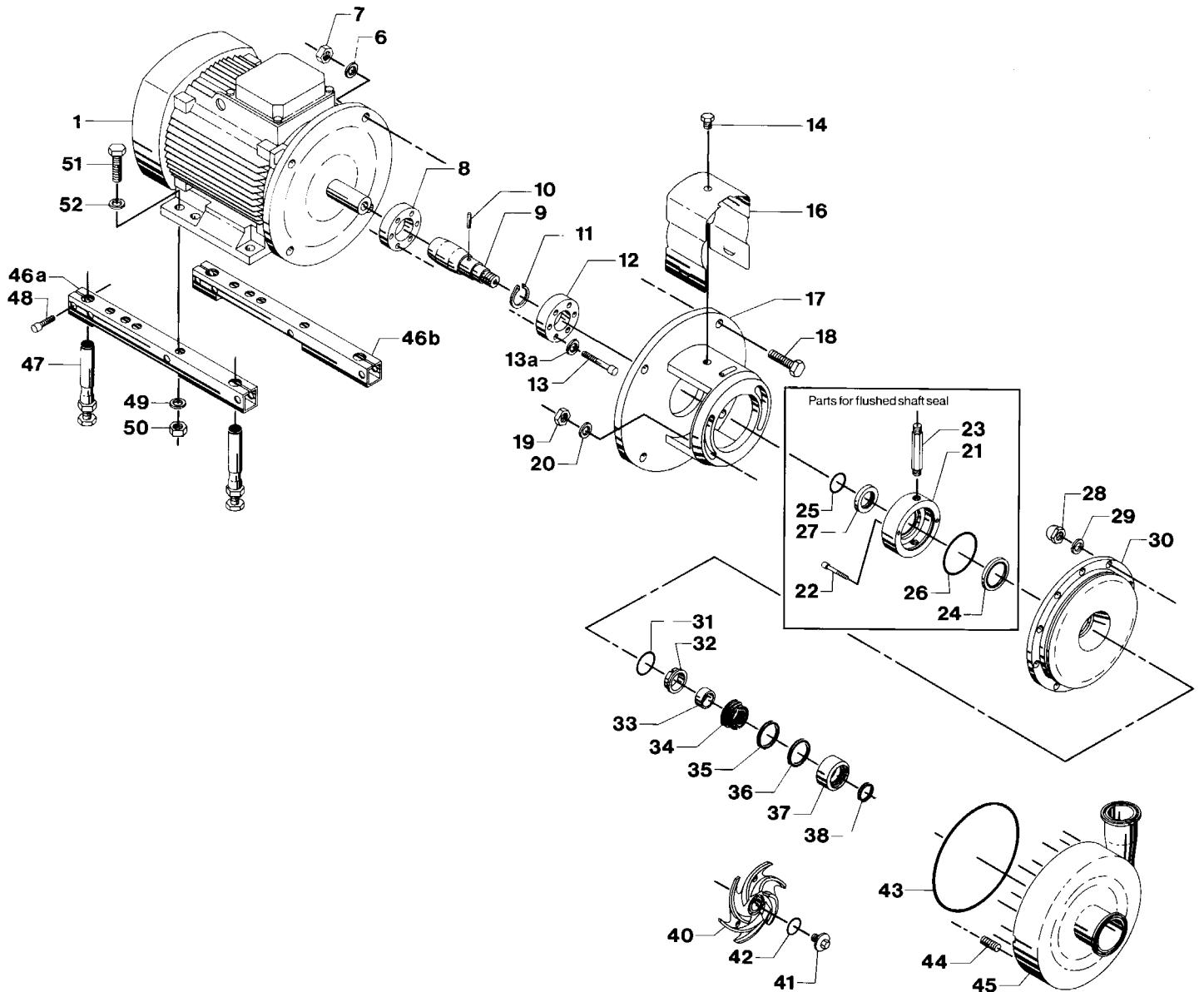
Pos.	Qty.	Denomination	1.5-5 HP	Pos.	Qty.	Denomination	1.5-5 HP
Parts for flushed shaft seal				◆* Shaft seal complete, NBR 9612-3622-11			
21	1	Seal housing for flushed seal	9612-3626-02	24	1	Lip seal	9611-99-2860
22	2	Screw	9611-99-4038	25	1	O-ring, EPDM	9611-99-2754
23	2	Tube	9612-3589-01	26	1	O-ring, EPDM	9611-99-2753
27	1	Sleeve	9612-3629-02	31	1	O-ring	9611-99-2728
Single shaft seal				32 1 Stationary seal ring, SiC. 9612-3633-01			
□○ Shaft seal complete, EPDM (Standard) 9612-3622-04				34 1 Rotating seal ring, SiC. 9612-3634-02			
31	1	O-ring	9611-99-2727	35 1 Quad ring 9611-99-2730			
32	1	Stationary seal ring, SiC.	9612-3633-01	36 1 PTFE support ring 9612-4571-01			
34	1	Rotating seal ring, SiC.	9612-3634-02	38 1 Quad ring 9611-99-2734			
35	1	Quad ring	9611-99-2730	◆* Shaft seal complete, FPM 9612-3622-12			
36	1	PTFE support ring	9612-4571-01	24	1	Lip seal	9611-99-2860
38	1	Quad ring	9611-99-2733	25	1	O-ring, EPDM	9611-99-2754
□○ Shaft seal complete, NBR 9612-3622-05				26 1 O-ring, EPDM 9611-99-2753			
31	1	O-ring	9611-99-2728	31 1 O-ring 9611-99-2729			
32	1	Stationary seal ring, SiC.	9612-3633-01	32 1 Stationary seal ring, SiC. 9612-3633-01			
34	1	Rotating seal ring, SiC.	9612-3634-02	34 1 Rotating seal ring, SiC. 9612-3634-02			
35	1	Quad ring	9611-99-2731	35 1 Quad ring 9611-99-2732			
36	1	PTFE support ring	9612-4571-01	36 1 PTFE support ring 9612-4571-01			
38	1	Quad ring	9611-99-2734	38 1 Quad ring 9611-99-2735			
□○ Shaft seal complete, FPM 9612-3622-06				Service kit for single shaft sea l Sic/Sic			
31	1	O-ring	9611-99-2729	□ Service kit, EPDM..... 9611-92-2139			
32	1	Stationary seal ring, SiC.	9612-3633-01	□ Service kit, NBR. 9611-92-2140			
34	1	Rotating seal ring, SiC.	9612-3634-02	□ Service kit, FPM. 9611-92-2141			
35	1	Quad ring	9611-99-2732	Service kit for single shaft seal & impeller screw			
36	1	PTFE support ring	9612-4571-01	○ Service kit, EPDM..... 9611-92-2142			
38	1	Quad ring	9611-99-2735	○ Service kit, NBR. 9611-92-2143			
Flushed shaft seal				○ Service kit, FPM. 9611-92-2144			
◆* Shaft seal complete, EPDM (Standard) 9612-3622-10				Service kit for flushed shaft seal			
24	1	Lip seal	9611-99-2860	◆ Service kit, EPDM..... 9611-92-2145			
25	1	O-ring, EPDM	9611-99-2754	◆ Service kit, NBR. 9611-92-2146			
26	1	O-ring, EPDM	9611-99-2753	◆ Service kit, FPM. 9611-92-2147			
31	1	O-ring	9611-99-2727	Service kit for flushed shaft seal and impeller screw			
32	1	Stationary seal ring, SiC.	9612-3633-01	* Service kit, EPDM..... 9611-92-2148			
34	1	Rotating seal ring, SiC.	9612-3634-02	* Service kit, NBR. 9611-92-2149			
35	1	Quad ring	9611-99-2730	* Service kit, FPM. 9611-92-2150			
36	1	PTFE support ring	9612-4571-01				
38	1	Quad ring	9611-99-2733				

Parts marked with □○◆* are included in the service kits.

Conversion kit, single to flushed shaft seal
9611-92-2177 = Pos. 21, 22, 23, 24, 25, 26 and 27.

Surface roughness, product wetted parts: Ra ≤0.8 μm

Pos.	Qty.	Denomination	1.5-2 HP	3-5 HP
30	1	Back plate	9612-4837-10	9612-4837-10
45	1	Pump casing, Flange	9612-4840-16	9612-4840-16
	1	Pump casing, Clamp	9612-4840-21	9612-4840-21
Alternatives				
40	1	Impeller for impeller screw	9612-4081-16	9612-4081-06
41	1	Impeller screw	9612-1396-03	9612-1396-03



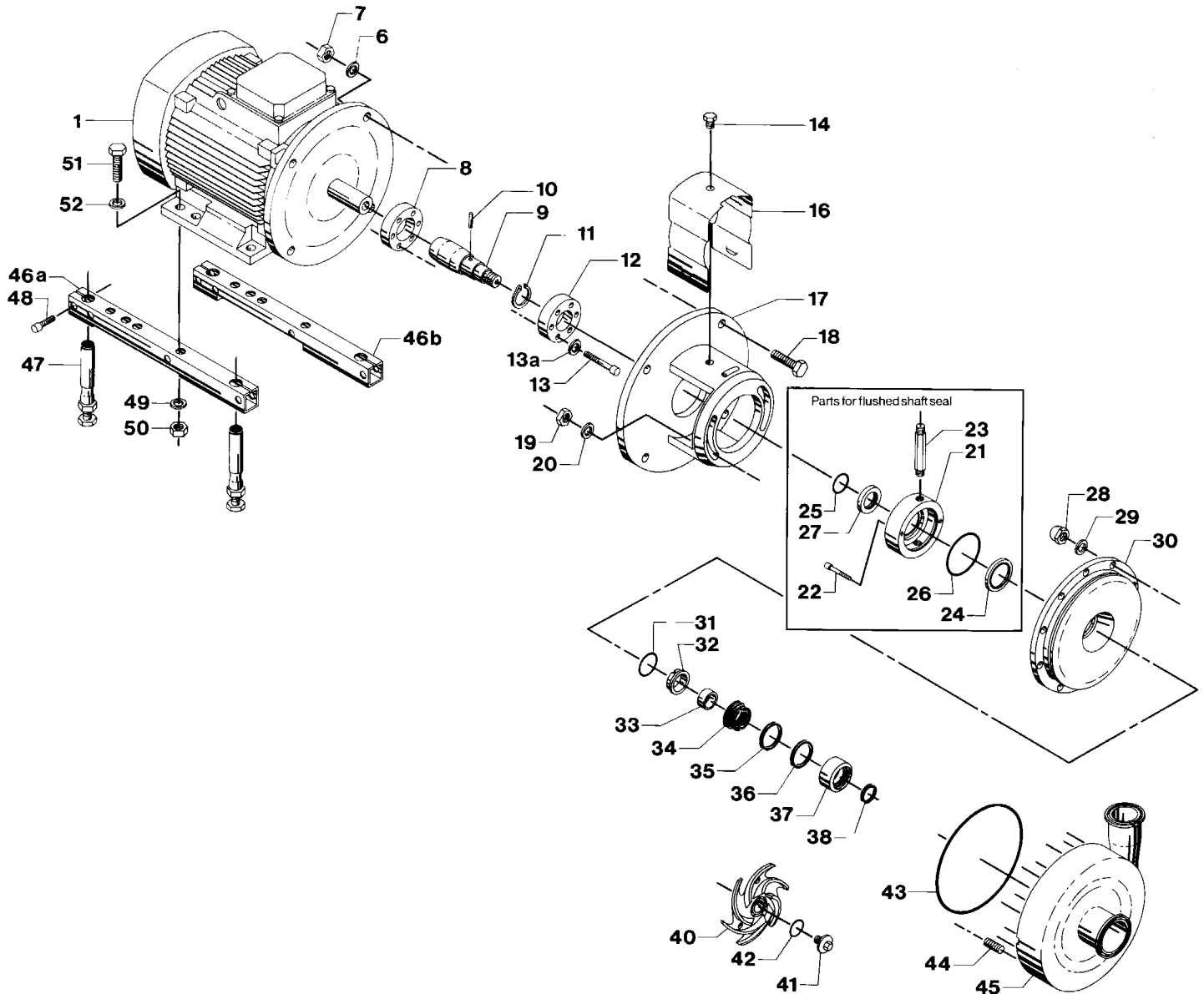
Pos.	Qty.	Denomination	1.5-2 HP	3-5 HP
1	1	Motor		
3	4	Screw	9611-99-3240	9611-99-3240
8	1	Compression ring with thread	9612-1336-01	9612-1336-02
9	1	Shaft with internal/external thread and pin (pos.10)		9612-1331-02
	1	Shaft with internal/external thread, pin (pos.10) and retaining ring (pos.11)	9612-1330-02	
10	1	Connex pin	9611-99-0622	9611-99-0622
11	1	Retaining ring	9611-99-2307	
12	1	Compression ring without thread	9612-1337-01	9612-1337-02
13	6	Screw	9611-99-3196	9611-99-3196
13a	6	Washer	9611-99-3199	9611-99-3199
14	1	Screw for safety guard	9611-99-3239	9611-99-3239
16	1	Safety guard	9612-1397-03	9612-1311-06
17	1	Adaptor	9612-1359-10	9612-1359-11
18	4	Screw for adaptor	9611-99-2161	9611-99-1834
19	2	Nut	9611-99-0353	9611-99-0353
20	2	Washer	9611-99-2559	9611-99-2559
28	10	Cap nut	9611-99-2592	9611-99-2592
29	10	Washer	9611-99-1888	9611-99-1888
30	1	Back plate	883-41223	883-41223
33	1	Spacing ring	9612-3625-02	9612-3625-02
37	1	Rotating seal housing	9612-3624-01	9612-3624-01
43	□○◆★	Joint ring, EPDM, (standard)	9611-99-2137	9611-99-2137
	1	Joint ring, NBR	9611-99-2139	9611-99-2139
	1	Joint ring, FPM	9611-99-2138	9611-99-2138
44	10	Bolt	9611-99-2168	9611-99-2168
45	1	Pump casing, Clamp	9612-5117-05	9612-5117-05
46a-52	1	Leg Assembly	481656	481663
Alternatives				
40	1	Impeller for impeller screw	9612-4081-04	9612-4081-04
41	1	Impeller screw	9612-1396-03	9612-1396-03
42	○★	O-ring, EPDM	9611-99-2145	9611-99-2145
	1	O-ring, NBR	9611-99-2147	9611-99-2147
	1	O-ring, FPM	9611-99-2146	9611-99-2146

Recommended Spare Parts: Service kits.

1.2 Pump for high inlet pressure, Type LKHP-15
Single and Flushed Shaft Seal

1. Parts List / Drawing

(Same drawing as previous drawing)



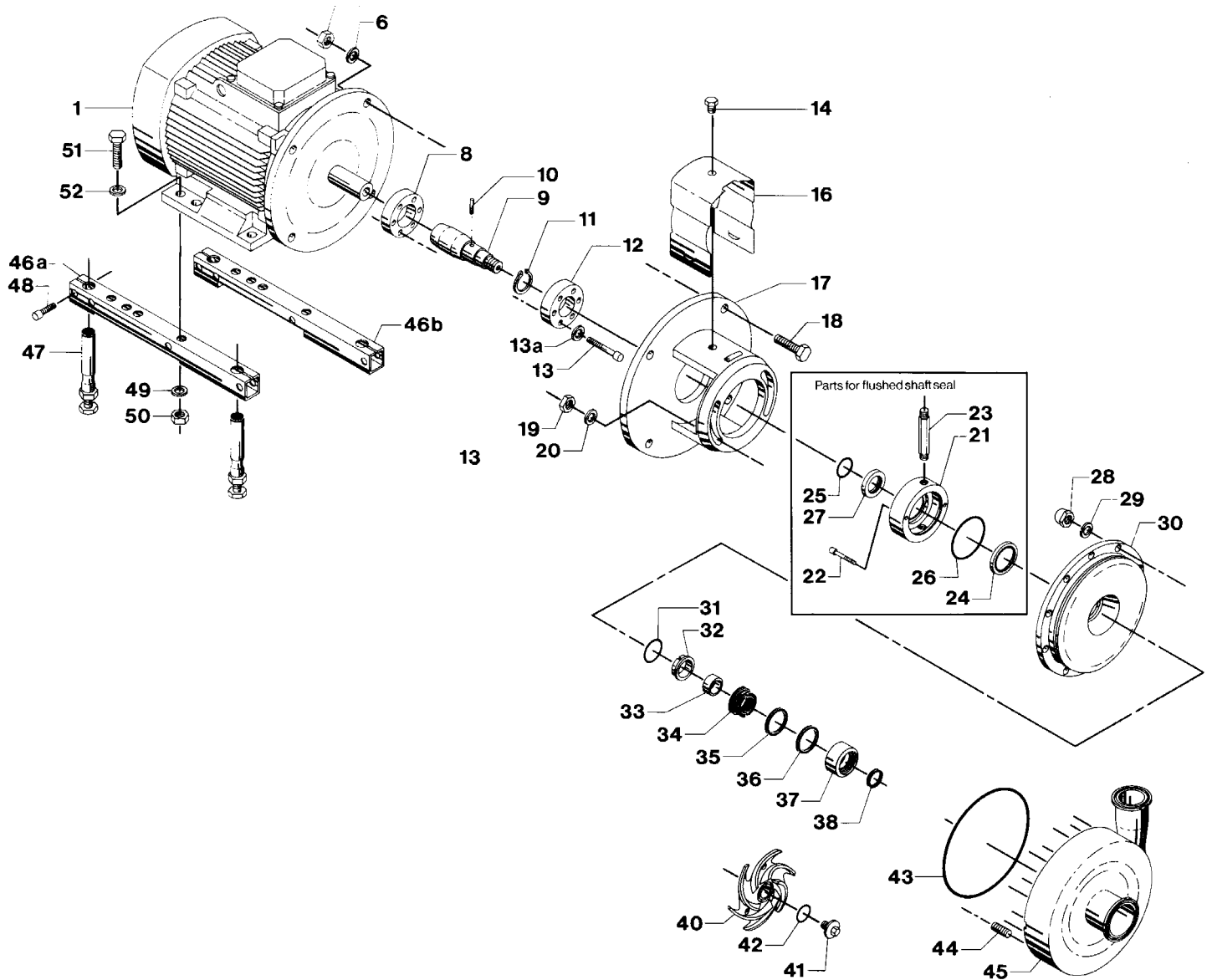
1. Parts List / Drawing

1.2 Pump for high inlet pressure, Type LKHP-15
Single and Flushed Shaft Seal

Pos.	Qty.	Denomination	1.5-5 HP	Pos.	Qty.	Denomination	1.5-5 HP
Parts for flushed shaft seal				◆* Shaft seal complete, NBR 9612-3622-11			
21	1	Seal housing for flushed seal	9612-3626-02	24	1	Lip seal	9611-99-2860
22	2	Screw	9611-99-4038	25	1	O-ring, EPDM	9611-99-2754
23	2	Tube	9612-3589-01	26	1	O-ring, EPDM	9611-99-2753
27	1	Sleeve	9612-3629-02	31	1	O-ring	9611-99-2728
Single shaft seal				32 1 Stationary seal ring, SiC. 9612-3633-01			
□○ Shaft seal complete, EPDM (Standard) 9612-3622-04				34 1 Rotating seal ring, SiC. 9612-3634-02			
31	1	O-ring	9611-99-2727	35 1 Quad ring 9611-99-2731			
32	1	Stationary seal ring, SiC.	9612-3633-01	36 1 PTFE support ring 9612-4571-01			
34	1	Rotating seal ring, SiC.	9612-3634-02	38 1 Quad ring 9611-99-2734			
35	1	Quad ring	9611-99-2730	◆* Shaft seal complete, FPM 9612-3622-12			
36	1	PTFE support ring	9612-4571-01	24	1	Lip seal	9611-99-2860
38	1	Quad ring	9611-99-2733	25	1	O-ring, EPDM	9611-99-2754
□○ Shaft seal complete, NBR 9612-3622-05				26 1 O-ring, EPDM 9611-99-2753			
31	1	O-ring	9611-99-2728	31 1 O-ring 9611-99-2729			
32	1	Stationary seal ring, SiC.	9612-3633-01	32 1 Stationary seal ring, SiC. 9612-3633-01			
34	1	Rotating seal ring, SiC.	9612-3634-02	34 1 Rotating seal ring, SiC. 9612-3634-02			
35	1	Quad ring	9611-99-2731	35 1 Quad ring 9611-99-2732			
36	1	PTFE support ring	9612-4571-01	36 1 PTFE support ring 9612-4571-01			
38	1	Quad ring	9611-99-2734	38 1 Quad ring 9611-99-2735			
□○ Shaft seal complete, FPM 9612-3622-06				Service kit for single shaft sea l Sic/Sic			
31	1	O-ring	9611-99-2729	□ Service kit, EPDM..... 9611-92-2139			
32	1	Stationary seal ring, SiC.	9612-3633-01	□ Service kit, NBR. 9611-92-2140			
34	1	Rotating seal ring, SiC.	9612-3634-02	□ Service kit, FPM. 9611-92-2141			
35	1	Quad ring	9611-99-2732	Service kit for single shaft seal and impeller screw			
36	1	PTFE support ring	9612-4571-01	○ Service kit, EPDM..... 9611-92-2142			
38	1	Quad ring	9611-99-2735	○ Service kit, NBR. 9611-92-2143			
Flushed shaft seal				○ Service kit, FPM. 9611-92-2144			
◆* Shaft seal complete, EPDM (Standard) 9612-3622-10				Service kit for flushed shaft seal			
24	1	Lip seal	9611-99-2860	◆ Service kit, EPDM..... 9611-92-2145			
25	1	O-ring, EPDM	9611-99-2754	◆ Service kit, NBR. 9611-92-2146			
26	1	O-ring, EPDM	9611-99-2753	◆ Service kit, FPM. 9611-92-2147			
31	1	O-ring	9611-99-2727	Service kit for flushed shaft seal and impeller screw			
32	1	Stationary seal ring, SiC.	9612-3633-01	* Service kit, EPDM..... 9611-92-2148			
34	1	Rotating seal ring, SiC.	9612-3634-02	* Service kit, NBR. 9611-92-2149			
35	1	Quad ring	9611-99-2730	* Service kit, FPM. 9611-92-2150			
36	1	PTFE support ring	9612-4571-01	Parts marked with □○◆* are included in the service kits.			
38	1	Quad ring	9611-99-2733	Conversion kit, single to flushed shaft seal			
				9611-92-2177 = Pos. 21, 22, 23, 24, 25, 26 and 27.			

Surface roughness, product wetted parts: Ra ≤0.8 μm

Pos.	Qty.	Denomination	1.5-2 HP	3-5 HP
30	1	Back plate	9612-4837-10	9612-4837-10
45	1	Pump casing, Flange	9612-5117-13	9612-5117-13
	1	Pump casing, Clamp	9612-5117-17	9612-5117-17
Alternatives				
40	1	Impeller for impeller screw	9612-5102-10	9612-5102-06
41	1	Impeller screw	9612-1396-03	9612-1396-03



1. Parts List / Drawing

1.3 Pump for for inlet pressure, Type LKHP-20
Single and Flushed Shaft Seal

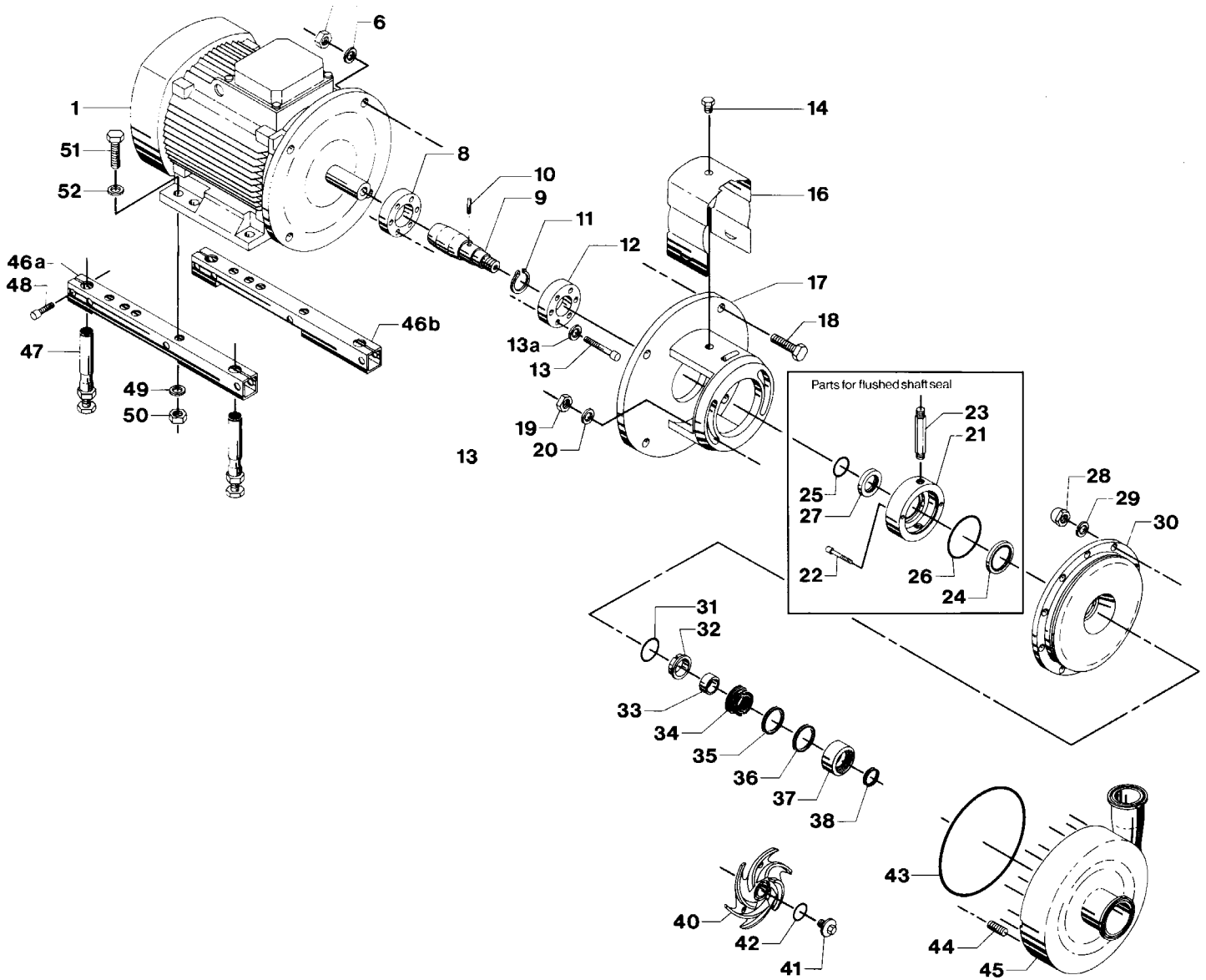
Pos.	Qty.	Denomination	1.5-2 HP	3-5 HP	7.5-10 HP
1	1	Motor			
3	4	Screw	9611-99-3240	9611-99-3240	9611-99-3240
5	4	Distance sleeve			9611-99-2737
8	1	Compression ring with thread	9612-1336-01	9612-1336-02	9612-1336-05
9	1	Shaft with internal/external thread and pin (pos.10)		9612-1331-02	9612-1332-02
	1	Shaft with internal/external thread, pin (pos.10) and retaining ring (pos.11)	9612-1330-02		
10	1	Connex pin	9611-99-0622	9611-99-0622	9611-99-0622
11	1	Retaining ring	9611-99-2307		
12	1	Compression ring without thread	9612-1297-03	9612-1359-11	9612-1359-06
13	6	Screw	9611-99-3196	9611-99-3196	9611-99-3197
13a	6	Washer	9611-99-3199	9611-99-3199	9611-99-3199
14	1	Screw for safety guard	9611-99-3239	9611-99-3239	9611-99-3239
16	1	Safety guard	9612-1297-03	9612-1311-06	9612-1311-10
17	1	Adaptor	9612-3423-01	9612-3424-01	9612-3425-01
18	4	Screw for adaptor	9611-99-2161	9611-99-1834	9611-99-2162
19	2	Nut	9611-99-0353	9611-99-0353	9611-99-0353
20	2	Washer	9611-99-2559	9611-99-2559	9611-99-2559
28	10	Cap nut	9611-99-2592	9611-99-2592	9611-99-2592
29	10	Washer	9611-99-1888	9611-99-1888	9611-99-1888
30	1	Back plate	9612483711	9612483711	9612483711
33	1	Spacing ring	9612-3625-02	9612-3625-02	9612-3625-02
37	1	Rotating seal housing	9612-3624-01	9612-3624-01	9612-3624-01
43	1	Joint ring, EPDM (standard)	9611-99-2141	9611-99-2141	9611-99-2141
	1	Joint ring, NBR	9611-99-2143	9611-99-2143	9611-99-2143
	1	Joint ring, FPM	9611-99-2142	9611-99-2142	9611-99-2142
44	10	Bolt	9611-99-2168	9611-99-2168	9611-99-2168
45	1	Pump casing, Clamp	9612-4840-07	9612-4840-07	9612-4840-07
Legs					
46a-52	1	Leg Assembly	481656	481663	481663
Alternatives					
40	1	Impeller for impeller screw	833-38034	833-38034	833-38034
41	1	Impeller screw	9612-1396-03	9612-1396-03	9612-1396-03
42	1	O-ring, EPDM	9611-99-2145	9611-99-2145	9611-99-2145
	1	O-ring, NBR	9611-99-2147	9611-99-2147	9611-99-2147
	1	O-ring, FPM	9611-99-2146	9611-99-2146	9611-99-2146

Recommended Spare Parts: Service kits.

1.3 Pump for high inlet pressure, Type LKHP-20
Single and Flushed Shaft Seal

1. Parts List / Drawing

(Same drawing as previous drawing)



1. Parts List / Drawing

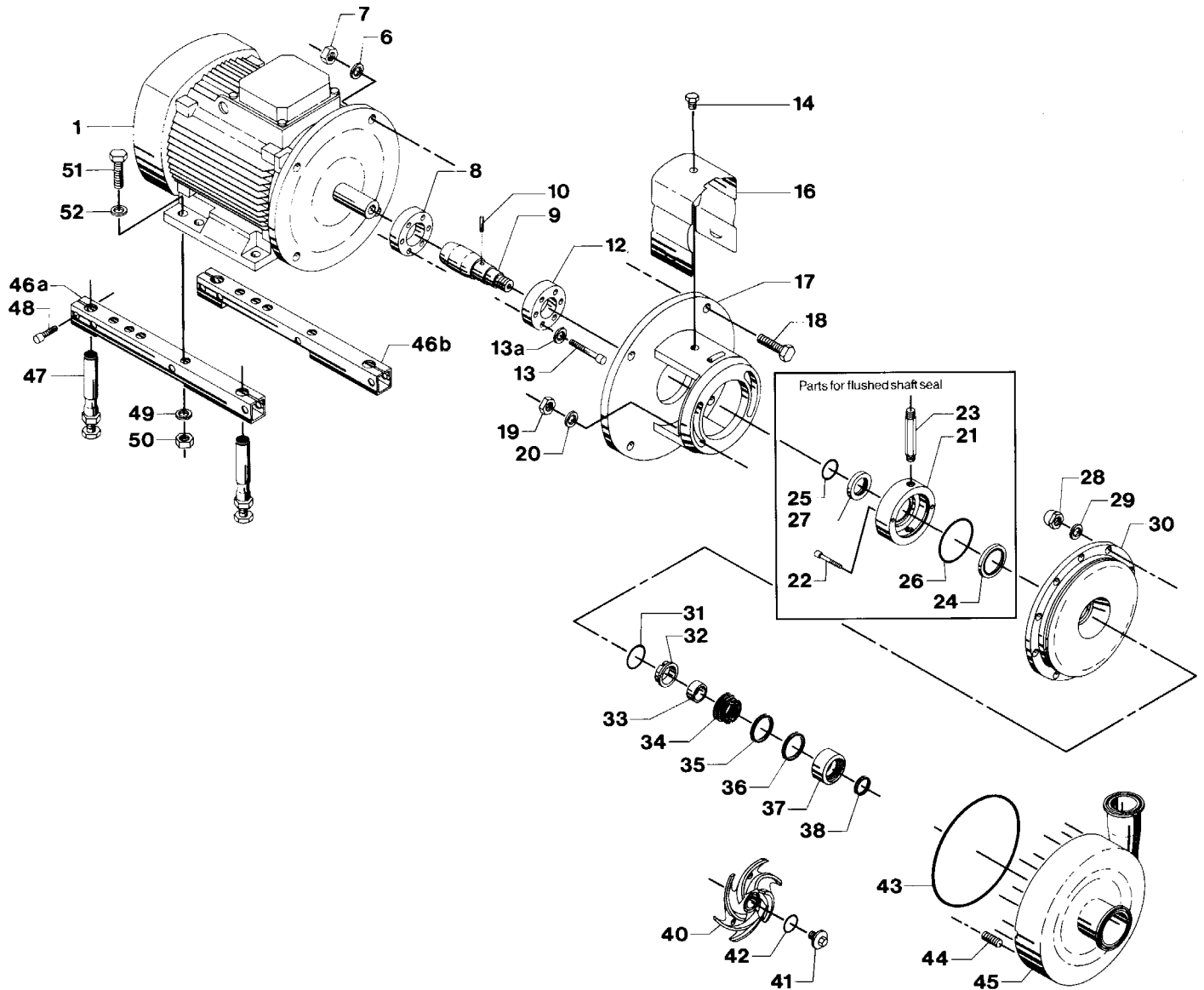
1.3 Pump for high inlet pressure, Type LKHP-20
Single and Flushed Shaft Seal

Pos.	Qty.	Denomination	1.5-10 HP	Pos.	Qty.	Denomination	1.5-10 HP
Parts for flushed shaft seal				◆* Shaft seal complete, NBR 9612-3622-11			
21	1	Seal housing for flushed seal	9612-3626-02	24	1	Lip seal	9611-99-2860
22	2	Screw	9611-99-4038	25	1	O-ring, EPDM	9611-99-2754
23	2	Tube	9612-3589-01	26	1	O-ring, EPDM	9611-99-2753
27	1	Sleeve	9612-3629-02	31	1	O-ring	9611-99-2728
Single shaft seal				32 1 Stationary seal ring, SiC. 9612-3633-01			
□○		Shaft seal complete, EPDM (Standard)	9612-3622-04	34 1 Rotating seal ring, SiC. 9612-3634-02			
31	1	O-ring	9611-99-2727	35 1 Quad ring	9611-99-2731		
32	1	Stationary seal ring, SiC.	9612-3633-01	36 1 PTFE support ring	9612-4571-01		
34	1	Rotating seal ring, SiC.	9612-3634-02	38 1 Quad ring	9611-99-2734		
35	1	Quad ring	9611-99-2730	◆* Shaft seal complete, FPM 9612-3622-12			
36	1	PTFE support ring	9612-4571-01	24 1 Lip seal	9611-99-2860		
38	1	Quad ring	9611-99-2733	25 1 O-ring, EPDM	9611-99-2754		
□○ Shaft seal complete, NBR 9612-3622-05				26 1 O-ring, EPDM	9611-99-2753		
31	1	O-ring	9611-99-2728	31 1 O-ring	9611-99-2729		
32	1	Stationary seal ring, SiC.	9612-3633-01	32 1 Stationary seal ring, SiC.	9612-3633-01		
34	1	Rotating seal ring, SiC.	9612-3634-02	34 1 Rotating seal ring, SiC.	9612-3634-02		
35	1	Quad ring	9611-99-2731	35 1 Quad ring	9611-99-2732		
36	1	PTFE support ring	9612-4571-01	36 1 PTFE support ring	9612-4571-01		
38	1	Quad ring	9611-99-2734	38 1 Quad ring	9611-99-2735		
□○ Shaft seal complete, FPM 9612-3622-06				Service kit for single shaft seal Sic/Sic			
31	1	O-ring	9611-99-2729	□	Service kit, EPDM..... 9611-92-2151		
32	1	Stationary seal ring, SiC.	9612-3633-01	□	Service kit, NBR. 9611-92-2152		
34	1	Rotating seal ring, SiC.	9612-3634-02	□	Service kit, FPM. 9611-92-2153		
35	1	Quad ring	9611-99-2732	Service kit for single shaft seal and impeller screw			
36	1	PTFE support ring	9612-4571-01	○	Service kit, EPDM..... 9611-92-2154		
38	1	Quad ring	9611-99-2735	○	Service kit, NBR. 9611-92-2155		
Flushed shaft seal				○	Service kit, FPM. 9611-92-2156		
◆*		Shaft seal complete, EPDM (Standard)	9612-3622-10	Service kit for flushed shaft seal			
24	1	Lip seal	9611-99-2860	◆	Service kit, EPDM..... 9611-92-2157		
25	1	O-ring, EPDM	9611-99-2754	◆	Service kit, NBR. 9611-92-2158		
26	1	O-ring, EPDM	9611-99-2753	◆	Service kit, FPM. 9611-92-2159		
31	1	O-ring	9611-99-2727	Service kit for flushed shaft seal and impeller screw			
32	1	Stationary seal ring, SiC.	9612-3633-01	* Service kit, EPDM.....	9611-92-2160		
34	1	Rotating seal ring, SiC.	9612-3634-02	* Service kit, NBR.	9611-92-2161		
35	1	Quad ring	9611-99-2730	* Service kit, FPM.	9611-92-2162		
36	1	PTFE support ring	9612-4571-01				
38	1	Quad ring	9611-99-2733				

Parts marked with Δ○◆* are included in the service kits.
Conversion kit, single to flushed shaft seal
9611-92-2177 = Pos. 21, 22, 23, 24, 25, 26 and 27.

Surface roughness, product wetted parts: Ra ≤0.8 μm

Pos.	Qty.	Denomination	1.5-2 HP	3-5 HP	7.5-10 HP
30	1	Back plate	9612-4837-11	9612-4837-11	9612-4837-11
45	1	Pump casing, Flange.....	9612-4840-17	9612-4840-17	9612-4840-17
	1	Pump casing, Clamp.....	9612-4840-22	9612-4840-22	9612-4840-22
Alternatives					
40	1	Impeller for impeller screw	9612-4082-10	9611-4082-06	9612-4082-06
41	1	Impeller screw	9612-1396-03	9612-1396-03	9612-1396-03



1. Parts List / Drawing

1.4 Pump for high inlet pressure, Type LKHP-25
Single and Flushed Shaft Seal

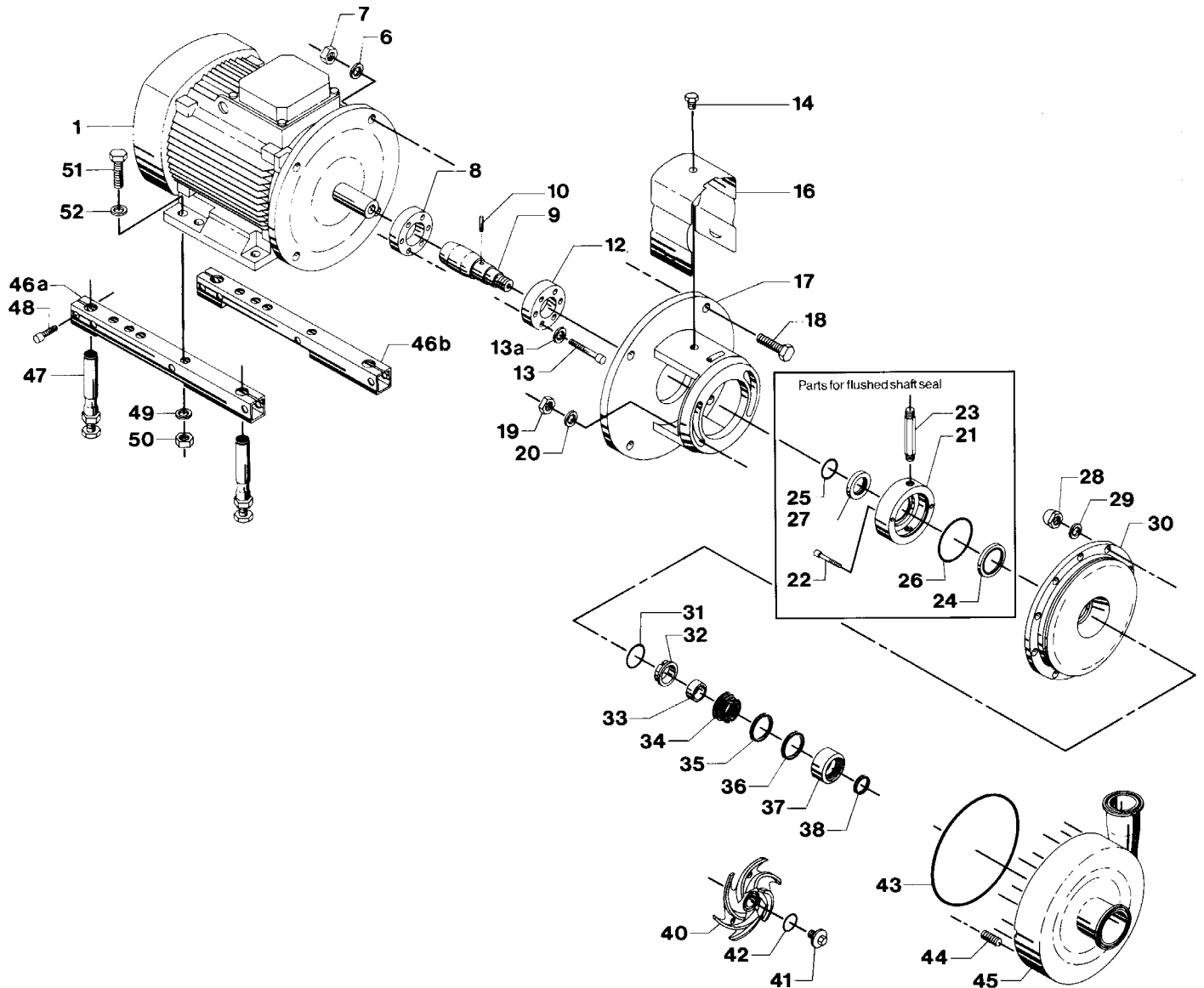
Pos.	Qty.	Denomination	3-5 HP	7.5-10 HP	15-20 HP
1	1	Motor			
3	4	Screw	9611-99-3240	9611-99-3240	9611-99-3241
5	4	Distance sleeve		9611-99-2737	31438-0390-2
8	1	Compression ring with thread	9612-1336-02	9612-1336-06	9612-1336-03
9	1	Shaft with internal/external thread and pin (pos.10)	9612-1331-02	9612-1332-02	9612-1333-02
10	1	Connex pin	9611-99-0622	9611-99-0622	9611-99-0622
12	1	Compression ring without thread	9612-1337-02	9612-1337-06	9612-1337-03
13	6	Screw	9611-99-3196	9611-99-3197	9611-99-3197
13a	6	Washer	9611-99-3199	9611-99-3199	9611-99-3199
14	1	Screw for safety guard	9611-99-3239	9611-99-3239	9611-99-3239
16	1	Safety guard	9612-1311-06	9612-1311-10	9612-1311-08
17	1	Adaptor	9612-1359-11	9612-1359-12	9612-1359-13
18	4	Screw for adaptor	881-30173	881-30173	881-30173
19	2	Nut.....	9611-99-0353	9611-99-0353	9611-99-0353
20	2	Washer.....	9611-99-2559	9611-99-2559	9611-99-2559
28	10	Cap nut	9611-99-2593	9611-99-2593	9611-99-2593
29	10	Washer	9611-99-1887	9611-99-1887	9611-99-1887
30	1	Back plate	9612-4837-16	9612-4837-16	9612-4837-16
33	1	Spacing ring	9612-3625-02	9612-3625-02	9612-3625-02
37	1	Rotating seal housing	9612-3624-01	9612-3624-01	9612-3624-01
43	□ ○ ◆ * 1	Joint ring, EPDM (standard).....	9611-99-2983	9611-99-2983	9611-99-2983
	1	Joint ring, NBR.....	9611-99-2984	9611-99-2984	9611-99-2984
	1	Joint ring, FPM.....	9611-99-2985	9611-99-2985	9611-99-2985
44	10	Bolt	9611-99-2169	9611-99-2169	9611-99-2169
45	1	Pump casing, Clamp.....	9612-5117-06	9612-5117-06	9612-5117-06
46a-52	1	Leg Assembly	481656	481663	481663
Alternatives					
40	1	Impeller for impeller screw	9613-6019-77	9613-6019-77	9613-6019-77
41	1	Impeller screw	9612-1396-03	9612-1396-03	9612-1396-03
42	○ * 1	O-ring, EPDM.....	9611-99-2145	9611-99-2145	9611-99-2145
	1	O-ring, NBR.....	9611-99-2147	9611-99-2147	9611-99-2147
	1	O-ring, FPM.....	9611-99-2146	9611-99-2146	9611-99-2146

Recommended Spare Parts: Service kits.

1.4 Pump for high inlet pressure, Type LKHP-25
Single and Flushed Shaft Seal

1. Parts List / Drawing

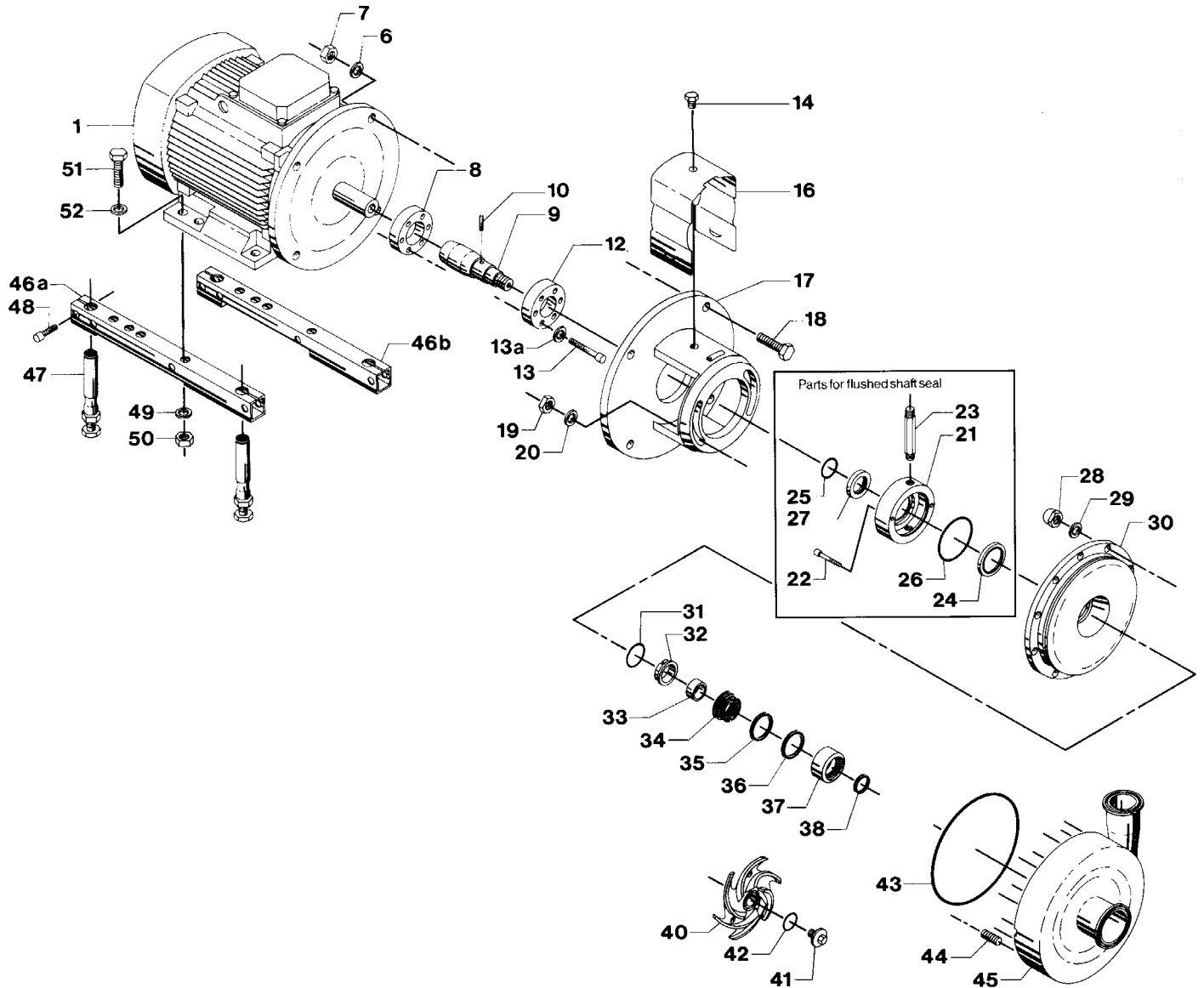
(Same drawing as previous drawing)



1. Parts List / Drawing

1.4 Pump for high inlet pressure, Type LKHP-25
Single and Flushed Shaft Seal

Pos.	Qty.	Denomination	3-20 HP	Pos.	Qty.	Denomination	3-20 HP
Parts for flushed shaft seal				◆ * Shaft seal complete, NBR 9612-3622-11			
21	1	Seal housing for flushed seal	9612-3626-02	24	1	Lip seal	9611-99-2860
22	2	Screw	9611-99-4038	25	1	O-ring, EPDM	9611-99-2754
23	2	Tube	9612-3589-07	26	1	O-ring, EPDM	9611-99-2753
27	1	Sleeve	9612-3629-02	31	1	O-ring	9611-99-2728
Single shaft seal				32	1	Stationary seal ring, SiC.	9612-3633-01
□○ Shaft seal complete, EPDM (Standard) 9612-3622-04				34	1	Rotating seal ring, SiC.	9612-3634-02
31	1	O-ring	9611-99-2727	35	1	Quad ring	9611-99-2731
32	1	Stationary seal ring, SiC.	9612-3633-01	36	1	PTFE support ring	9612-4571-01
34	1	Rotating seal ring, SiC.	9612-3634-02	38	1	Quad ring	9611-99-2734
35	1	Quad ring	9611-99-2730	◆ * Shaft seal complete, FPM 9612-3622-12			
36	1	PTFE support ring	9612-4571-01	24	1	Lip seal	9611-99-2860
38	1	Quad ring	9611-99-2733	25	1	O-ring, EPDM	9611-99-2754
□○ Shaft seal complete, NBR 9612-3622-05				26	1	O-ring, EPDM	9611-99-2753
31	1	O-ring	9611-99-2728	31	1	O-ring	9611-99-2729
32	1	Stationary seal ring, SiC.	9612-3633-01	32	1	Stationary seal ring, SiC.	9612-3633-01
34	1	Rotating seal ring, SiC.	9612-3634-02	34	1	Rotating seal ring, SiC.	9612-3634-02
35	1	Quad ring	9611-99-2731	35	1	Quad ring	9611-99-2732
36	1	PTFE support ring	9612-4571-01	36	1	PTFE support ring	9612-4571-01
38	1	Quad ring	9611-99-2734	38	1	Quad ring	9611-99-2735
□○ Shaft seal complete, FPM 9612-3622-06				Service kit for single shaft seal Sic/Sic			
31	1	O-ring	9611-99-2729	□		Service kit, EPDM	9611-92-2194
32	1	Stationary seal ring, SiC.	9612-3633-01	□		Service kit, NBR	9611-92-2195
34	1	Rotating seal ring, SiC.	9612-3634-02	□		Service kit, FPM	9611-92-2196
35	1	Quad ring	9611-99-2732	Service kit for single shaft seal and impeller screw			
36	1	PTFE support ring	9612-4571-01	○		Service kit, EPDM	9611-92-2197
38	1	Quad ring	9611-99-2735	○		Service kit, NBR	9611-92-2198
Flushed shaft seal				○		Service kit, FPM	9611-92-2199
◆ * Shaft seal complete, EPDM (Standard) . 9612-3622-10				Service kit for flushed shaft seal			
24	1	Lip seal	9611-99-2860	◆		Service kit, EPDM	9611-92-2200
25	1	O-ring, EPDM	9611-99-2754	◆		Service kit, NBR	9611-92-2201
26	1	O-ring, EPDM	9611-99-2753	◆		Service kit, FPM	9611-92-2202
31	1	O-ring	9611-99-2727	Service kit for flushed shaft seal and impeller screw			
32	1	Stationary seal ring, SiC.	9612-3633-01	*		Service kit, EPDM	9611-92-2203
34	1	Rotating seal ring, SiC.	9612-3634-02	*		Service kit, NBR	9611-92-2204
35	1	Quad ring	9611-99-2730	*		Service kit, FPM	9611-92-2205
36	1	PTFE support ring	9612-4571-01	Parts marked with □○◆* are included in the service kits.			
38	1	Quad ring	9611-99-2733	Conversion kit, single to flushed shaft seal			
				9611-92-2177 = Pos. 21, 22, 23, 24, 25, 26 and 27.			



1. Parts List / Drawing

1.5 Pump for high inlet pressure, Type LKHP-35
Single and Flushed Shaft Seal

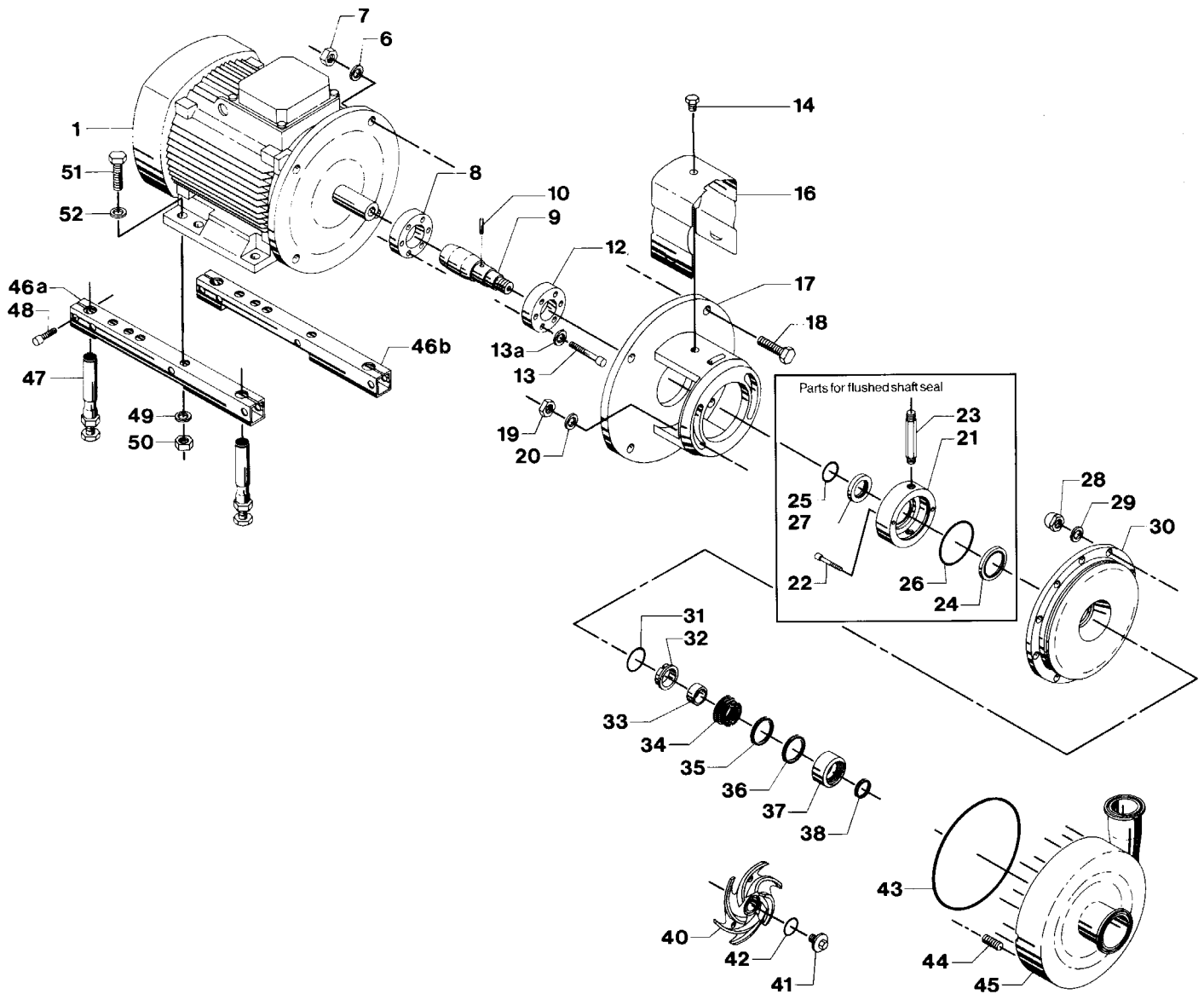
Pos.	Qty.	Denomination	3-5 HP	7.5-10 HP	15-20 HP
1	1	Motor			
3	4	Screw	9611-99-3240	9611-99-3240	9611-99-3241
5	4	Distance sleeve		9611-99-2737	31438-0390-2
8	1	Compression ring with thread	9612-1336-02	9612-1336-06	9612-1336-03
9	1	Shaft with internal/external thread and pin (pos.10)	9612-1331-02	9612-1332-02	9612-1333-02
10	1	Connex pin	9611-99-0622	9611-99-0622	9611-99-0622
12	1	Compression ring without thread	9612-1337-02	9612-1337-06	9612-1337-03
13	6	Screw	9611-99-3196	9611-99-3197	9611-99-3197
13a	6	Washer	9611-99-3199	9611-99-3199	9611-99-3199
14	1	Screw for safety guard	9611-99-3239	9611-99-3239	9611-99-3239
16	1	Safety guard	9612-1311-06	9612-1311-10	9612-1311-08
17	1	Adaptor	9612-1359-11	9612-1359-12	9612-1359-13
18	4	Screw for adaptor	881-30173	881-30173	881-30173
19	2	Nut	9611-99-0353	9611-99-0353	9611-99-0353
20	2	Washer	9611-99-2559	9611-99-2559	9611-99-2559
28	10	Cap nut	9611-99-2593	9611-99-2593	9611-99-2593
29	10	Washer	9611-99-1887	9611-99-1887	9611-99-1887
30	1	Back plate	9612-4837-16	9612-4837-16	9612-4837-16
33	1	Spacing ring	9612-3625-02	9612-3625-02	9612-3625-02
37	1	Rotating seal housing	9612-3624-01	9612-3624-01	9612-3624-01
43	□ ○ ◆ *	Joint ring, EPDM (standard)	9611-99-2983	9611-99-2983	9611-99-2983
	1	Joint ring, NBR	9611-99-2984	9611-99-2984	9611-99-2984
	1	Joint ring, FPM	9611-99-2985	9611-99-2985	9611-99-2985
44	10	Bolt	9611-99-2169	9611-99-2169	9611-99-2169
45	1	Pump casing, Clamp	9612-5117-07	9612-5117-07	9612-5117-07
46a-52	1	Leg Assembly	481656	481663	481663
Alternatives					
40	1	Impeller for impeller screw	9612-5104-08	9612-5104-08	9612-5104-02
41	1	Impeller screw	9612-1396-03	9612-1396-03	9612-1396-03
42	○ *	O-ring, EPDM	9611-99-2145	9611-99-2145	9611-99-2145
	1	O-ring, NBR	9611-99-2147	9611-99-2147	9611-99-2147
	1	O-ring, FPM	9611-99-2146	9611-99-2146	9611-99-2146

Recommended Spare Parts: Service kits.

1.5 Pump for high inlet pressure, Type LKHP-35
Single and Flushed Shaft Seal

1. Parts List / Drawing

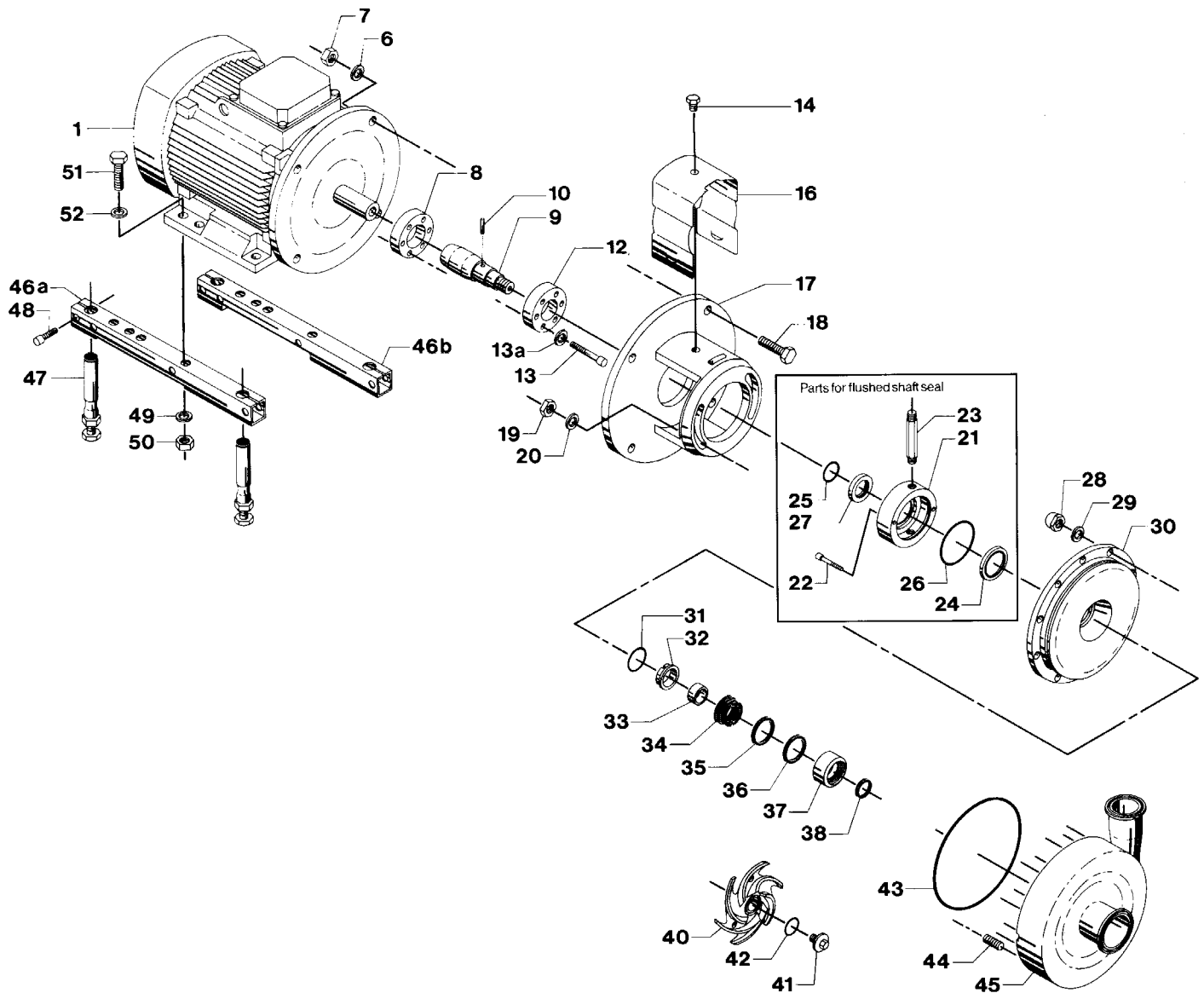
(Same drawing as previous drawing)



1. Parts List / Drawing

1.5 Pump for high inlet pressure, Type LKHP-35
Single and Flushed Shaft Seal

Pos.	Qty.	Denomination	5 - 20 HP	Pos.	Qty.	Denomination	5 - 20 HP
Parts for flushed shaft seal				◆* Shaft seal complete, NBR 9612-3622-11			
21	1	Seal housing for flushed seal	9612-3626-02	24	1	Lip seal	9611-99-2860
22	2	Screw	9611-99-4038	25	1	O-ring, EPDM	9611-99-2754
23	2	Tube	9612-3589-07	26	1	O-ring, EPDM	9611-99-2753
27	1	Sleeve	9612-3629-02	31	1	O-ring	9611-99-2728
Single shaft seal				32 1 Stationary seal ring, SiC. 9612-3633-01			
□○		Shaft seal complete, EPDM (Standard)	9612-3622-04	34 1 Rotating seal ring, SiC. 9612-3634-02			
31	1	O-ring	9611-99-2727	35 1 Quad ring 9611-99-2730			
32	1	Stationary seal ring, SiC.	9612-3633-01	36 1 PTFE support ring 9612-4571-01			
34	1	Rotating seal ring, SiC.	9612-3634-02	38 1 Quad ring 9611-99-2734			
35	1	Quad ring	9611-99-2730	◆* Shaft seal complete, FPM 9612-3622-12			
36	1	PTFE support ring	9612-4571-01	24 1 Lip seal 9611-99-2860			
38	1	Quad ring	9611-99-2733	25 1 O-ring, EPDM 9611-99-2754			
□○ Shaft seal complete, NBR 9612-3622-05				26 1 O-ring, EPDM 9611-99-2753			
31	1	O-ring	9611-99-2728	31 1 O-ring 9611-99-2729			
32	1	Stationary seal ring, SiC.	9612-3633-01	32 1 Stationary seal ring, SiC. 9612-3633-01			
34	1	Rotating seal ring, SiC.	9612-3634-02	34 1 Rotating seal ring, SiC. 9612-3634-02			
35	1	Quad ring	9611-99-2731	35 1 Quad ring 9611-99-2732			
36	1	PTFE support ring	9612-4571-01	36 1 PTFE support ring 9612-4571-01			
38	1	Quad ring	9611-99-2734	38 1 Quad ring 9611-99-2735			
□○ Shaft seal complete, FPM 9612-3622-06				Service kit for single shaft seal Sic/Sic			
31	1	O-ring	9611-99-2729	□ Service kit, EPDM..... 9611-92-2194			
32	1	Stationary seal ring, SiC.	9612-3633-01	□ Service kit, NBR. 9611-92-2195			
34	1	Rotating seal ring, SiC.	9612-3634-02	□ Service kit, FPM. 9611-92-2196			
35	1	Quad ring	9611-99-2732	Service kit for single shaft seal and impeller screw			
36	1	PTFE support ring	9612-4571-01	○ Service kit, EPDM..... 9611-92-2197			
38	1	Quad ring	9611-99-2735	○ Service kit, NBR. 9611-92-2198			
Flushed shaft seal				○ Service kit, FPM. 9611-92-2199			
◆* Shaft seal complete, EPDM (Standard) 9612-3622-10				Service kit for flushed shaft seal			
24	1	Lip seal	9611-99-2860	◆ Service kit, EPDM..... 9611-92-2200			
25	1	O-ring, EPDM	9611-99-2754	◆ Service kit, NBR. 9611-92-2201			
26	1	O-ring, EPDM	9611-99-2753	◆ Service kit, FPM. 9611-92-2202			
31	1	O-ring	9611-99-2727	Service kit for flushed shaft seal and impeller screw			
32	1	Stationary seal ring, SiC.	9612-3633-01	* Service kit, EPDM..... 9611-92-2203			
34	1	Rotating seal ring, SiC.	9612-3634-02	* Service kit, NBR. 9611-92-2204			
35	1	Quad ring	9611-99-2730	* Service kit, FPM. 9611-92-2205			
36	1	PTFE support ring	9612-4571-01	Parts marked with □○◆* are included in the service kits.			
38	1	Quad ring	9611-99-2733	Conversion kit, single to flushed shaft seal			
				9611-92-2177 = Pos. 21, 22, 23, 24, 25, 26 and 27.			



1. Parts List / Drawing

1.6 Pump for high inlet pressure, Type LKHP-40
Single and Flushed Shaft Seal

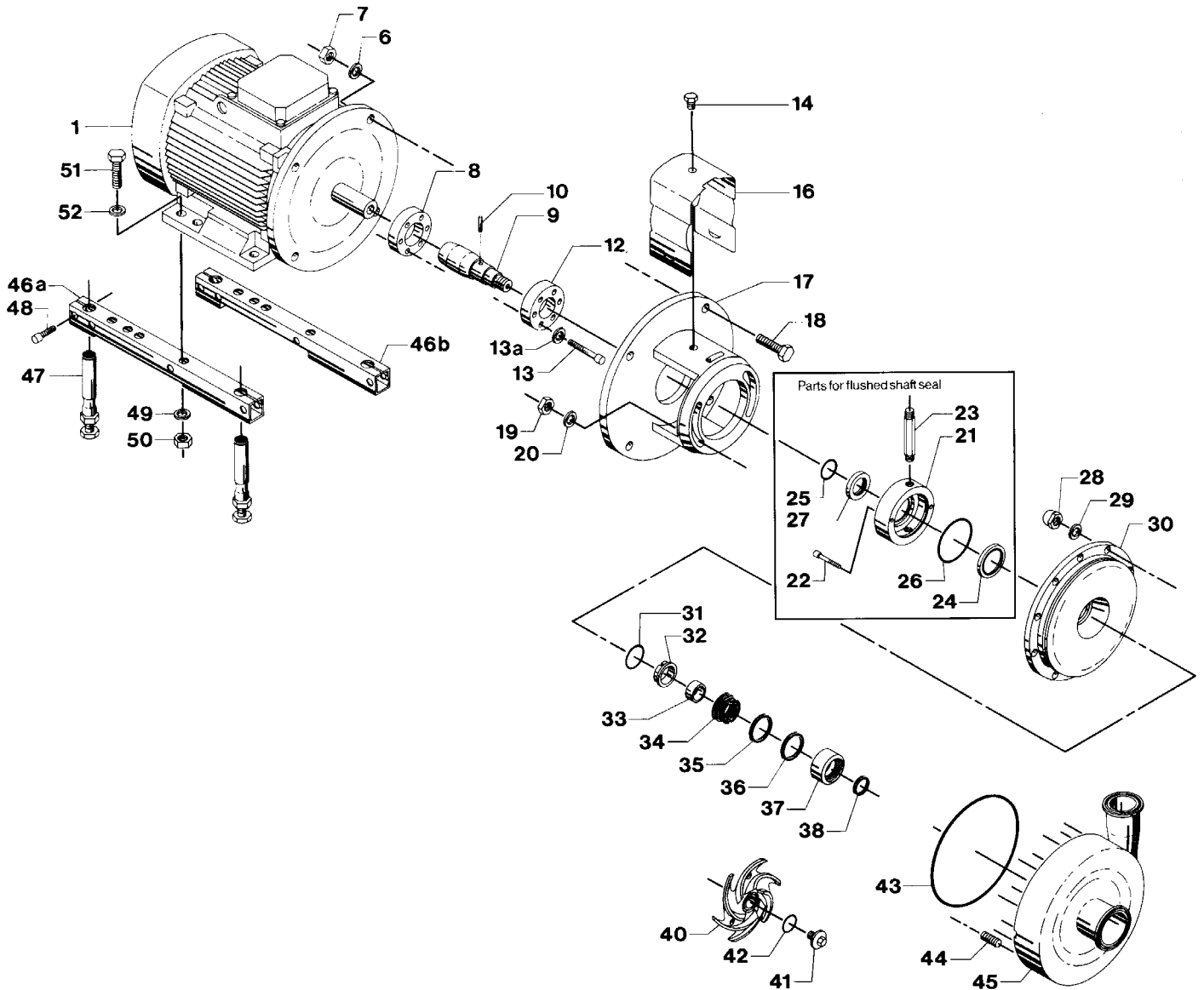
Pos.	Qty.	Denomination	7.5-10 HP	15-20 HP	25-30 HP	40 HP
1	1	Motor				
3	4	Screw	9611-99-3240	9611-99-3241	9611-99-3241	9611-99-3242
5	4	Distance sleeve	9611-99-2737	31438-0390-2	31438-0390-2	31438-0390-1
8	1	Compression ring with thread	9612-1336-06	9612-1336-03	9612-1336-03	
9	1	Shaft with internal/external thread and pin (pos. 10)	9612-1332-02	9612-1332-02	9612-1332-02	9612-1334-02
10	1	Connex pin	9611-99-0622	9611-99-0622	9611-99-0622	9611-99-0622
12	1	Compression ring without thread ..	9612-1337-06	9612-1337-03	9612-1337-03	9612-1337-04
13	6	Screw and pin (pos.8)	9611-99-3197	9611-99-3197	9611-99-3197	9611-99-3197
13a	6	Washer	9611-99-3199	9611-99-3199	9611-99-3199	9611-99-3199
14	1	Screw for safety guard	9611-99-3239	9611-99-3239	9611-99-3239	9611-99-3239
16	1	Safety guard	9612-1311-10	9612-1311-08	9612-1311-08	9612-1311-08
17	1	Adaptor	9612-1359-12	9612-1359-13	9612-1359-18	9612-1359-24
18	4	Screw for adaptor	881-30173	881-30173	881-30173	881-30173
19	2	Nut	9611-99-0353	9611-99-0353	9611-99-0353	9611-99-0353
20	2	Washer	9611-99-2559	9611-99-2559	9611-99-2559	9611-99-2559
28	12	Cap nut.....	9611-99-2593	9611-99-2593	9611-99-2593	9611-99-2593
29	12	Washer	9611-99-1887	9611-99-1887	9611-99-1887	9611-99-1887
30	1	Back plate	9612-4837-03	9612-4837-03	9612-4837-03	9612-4837-03
33	1	Spacing ring	9612-3625-02	9612-3625-02	9612-3625-02	9612-3625-02
37	1	Rotating seal housing	9612-3624-01	9612-3624-01	9612-3624-01	9612-3624-01
43	□○◆* 1	Joint ring, EPDM (standard)	9611-99-2171	9611-99-2171	9611-99-2171	9611-99-2171
	1	Joint ring, NBR	9611-99-2173	9611-99-2173	9611-99-2173	9611-99-2173
	1	Joint ring, FPM.....	9611-99-2172	9611-99-2172	9611-99-2172	9611-99-2172
44	12	Bolt	9611-99-2169	9611-99-2169	9611-99-2169	9611-99-2169
45	1	Pump casing, Clamp.....	9612484023	9612484023	9612484023	9612484023
Legs						
46a-52	1	Leg Assembly	481663	481663	481663	481663
Alternatives						
40	1	Impeller for impeller screw	9612-40-8406	9612-40-8406	9612-40-8406	9612-40-8406
41	1	Impeller screw	9612-1396-03	9612-1396-03	9612-1396-03	9612-1396-03
42	○* 1	O-ring, EPDM.....	9611-99-2145	9611-99-2145	9611-99-2145	9611-99-2145
	1	O-ring, NBR	9611-99-2147	9611-99-2147	9611-99-2147	9611-99-2147
	1	O-ring, FPM.....	9611-99-2146	9611-99-2146	9611-99-2146	9611-99-2146

Recommended Spare Parts: Service kits.

1.6 Pump for high inlet pressure, Type LKHP-40
Single and Flushed Shaft Seal

1. Parts List / Drawing

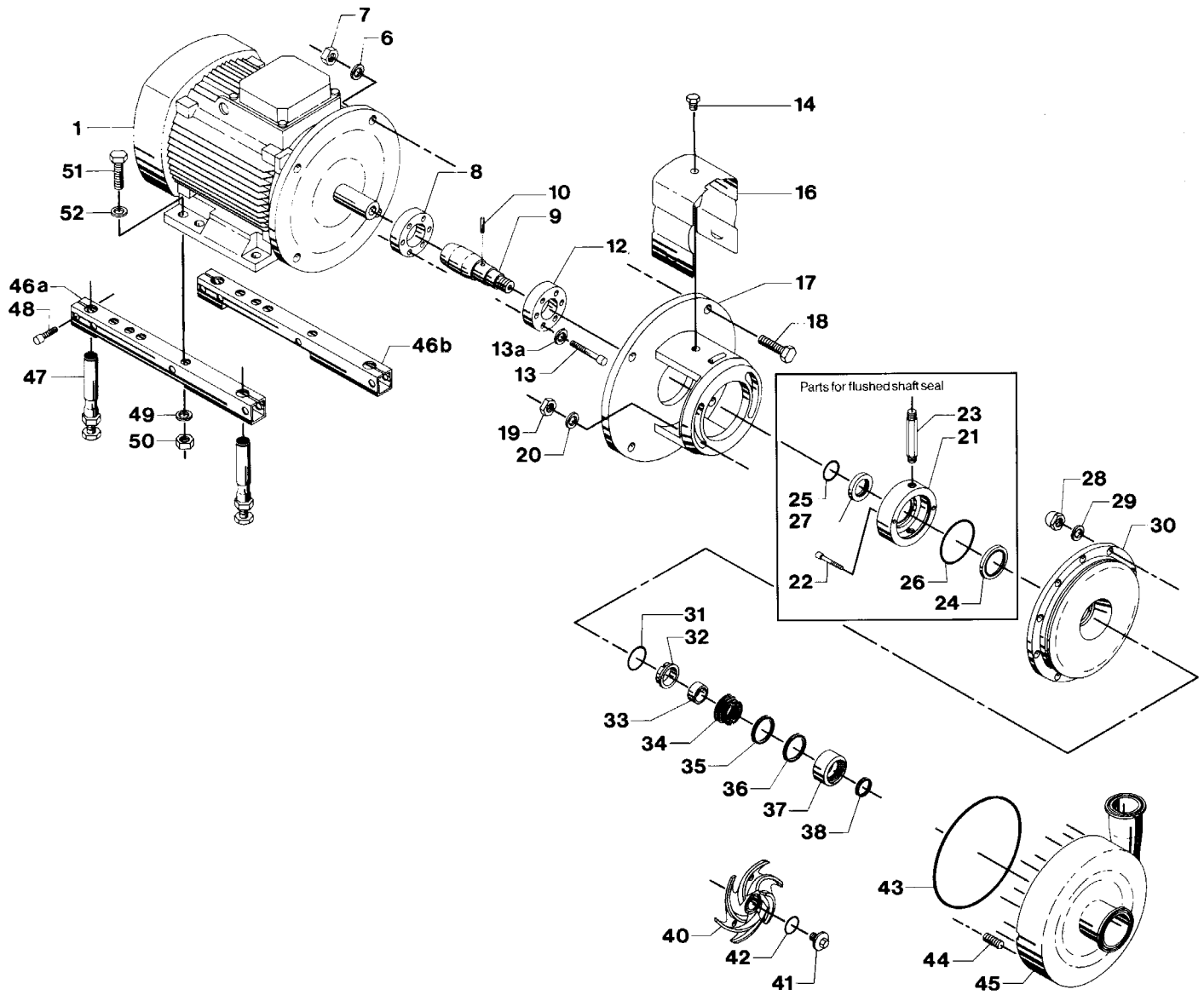
(Same drawing as previous drawing)



1. Parts List / Drawing

1.6 Pump for high inlet pressure, Type LKHP-40
Single and Flushed Shaft Seal

Pos.	Qty.	Denomination	10 - 30 HP	Pos.	Qty.	Denomination	10 - 30 HP
Parts for flushed shaft seal				◆★ Shaft seal complete, NBR 9612-3622-11			
21	1	Seal housing for flushed seal	9612-3626-02	24	1	Lip seal	9611-99-2860
22	2	Screw	9611-99-4038	25	1	O-ring, EPDM	9611-99-2754
23	2	Tube	9612-3589-07	26	1	O-ring, EPDM	9611-99-2753
27	1	Sleeve	9612-3629-02	31	1	O-ring	9611-99-2728
Single shaft seal				32	1	Stationary seal ring, SiC.	9612-3633-01
□○		Shaft seal complete, EPDM (Standard)	9612-3622-04	34	1	Rotating seal ring, SiC.	9612-3634-02
31	1	O-ring	9611-99-2727	35	1	Quad ring	9611-99-2731
32	1	Stationary seal ring, SiC.	9612-3633-01	36	1	PTFE support ring	9612-4571-01
34	1	Rotating seal ring, SiC.	9612-3634-02	38	1	Quad ring	9611-99-2734
35	1	Quad ring	9611-99-2730	◆★ Shaft seal complete, FPM 9612-3622-12			
36	1	PTFE support ring	9612-4571-01	24	1	Lip seal	9611-99-2860
38	1	Quad ring	9611-99-2733	25	1	O-ring, EPDM	9611-99-2754
□○ Shaft seal complete, NBR 9612-3622-05				26	1	O-ring, EPDM	9611-99-2753
31	1	O-ring	9611-99-2728	31	1	O-ring	9611-99-2729
32	1	Stationary seal ring, SiC.	9612-3633-01	32	1	Stationary seal ring, SiC.	9612-3633-01
34	1	Rotating seal ring, SiC.	9612-3634-02	34	1	Rotating seal ring, SiC.	9612-3634-02
35	1	Quad ring	9611-99-2731	35	1	Quad ring	9611-99-2732
36	1	PTFE support ring	9612-4571-01	36	1	PTFE support ring	9612-4571-01
38	1	Quad ring	9611-99-2734	38	1	Quad ring	9611-99-2735
□○ Shaft seal complete, FPM 9612-3622-06				Service kit for single shaft seal Sic/Sic			
31	1	O-ring	9611-99-2729	□		Service kit, EPDM	9611-92-2163
32	1	Stationary seal ring, SiC.	9612-3633-01	□		Service kit, NBR	9611-92-2164
34	1	Rotating seal ring, SiC.	9612-3634-02	□		Service kit, FPM	9611-92-2165
35	1	Quad ring	9611-99-2732	Service kit for single shaft seal and impeller screw			
36	1	PTFE support ring	9612-4571-01	○		Service kit, EPDM	9611-92-2166
38	1	Quad ring	9611-99-2735	○		Service kit, NBR	9611-92-2167
Flushed shaft seal				○		Service kit, FPM	9611-92-2168
◆★		Shaft seal complete, EPDM (Standard)	9612-3622-10	Service kit for flushed shaft seal			
24	1	Lip seal	9611-99-2860	◆		Service kit, EPDM	9611-92-2169
25	1	O-ring, EPDM	9611-99-2754	◆		Service kit, NBR	9611-92-2170
26	1	O-ring, EPDM	9611-99-2753	◆		Service kit, FPM	9611-92-2171
31	1	O-ring	9611-99-2727	Service kit for flushed shaft seal and impeller screw			
32	1	Stationary seal ring, SiC.	9612-3633-01	*		Service kit, EPDM	9611-92-2172
34	1	Rotating seal ring, SiC.	9612-3634-02	*		Service kit, NBR	9611-92-2173
35	1	Quad ring	9611-99-2730	*		Service kit, FPM	9611-92-2174
36	1	PTFE support ring	9612-4571-01	Parts marked with □○◆★ are included in the service kits.			
38	1	Quad ring	9611-99-2733	Conversion kit, single to flushed shaft seal 9611-92-2177			
= Pos. 21, 22, 23, 24, 25, 26 and 27.							



1. Parts List / Drawing

1.7 Pump for high inlet pressure, Type LKHP-45
Single and Flushed Shaft Seal

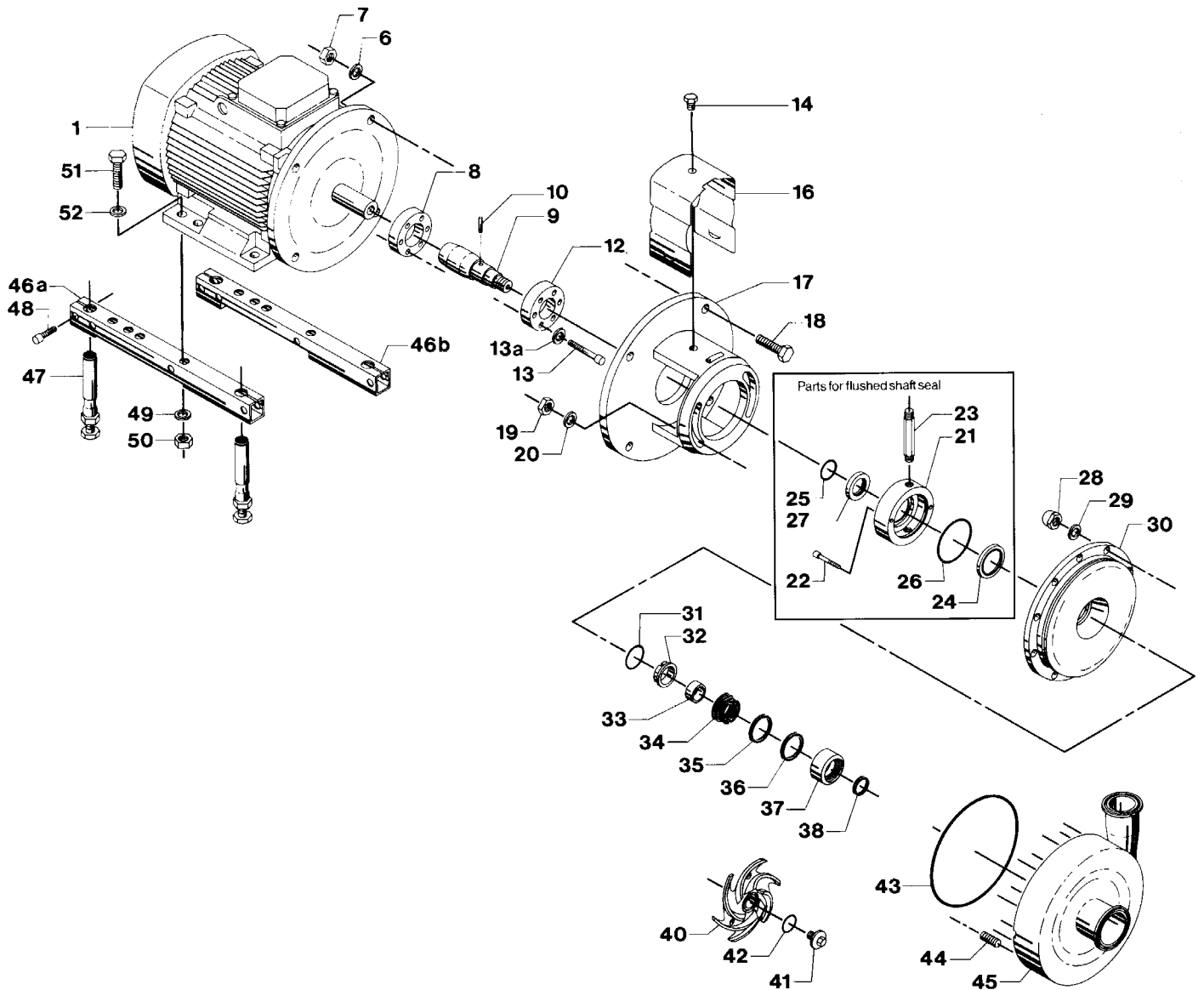
Pos.	Qty.	Denomination	3-5 HP	7.5-10 HP	15-20 HP
1	1	Motor			
3	4	Screw	9611-99-3240	9611-99-3240	9611-99-3241
5	4	Distance sleeve		9611-99-2737	31438-0390-2
8	1	Compression ring with thread	9612-1336-02	9612-1336-03	9612-1336-03
9	1	Shaft with internal/external thread and pin (pos.10)	9612-1331-02	9612-1332-02	9612-1333-02
10	1	Connex pin	9611-99-0622	9611-99-0622	9611-99-0622
12	1	Compression ring without thread	9612-1337-02	9612-1337-06	9612-1337-03
13	6	Screw	9611-99-3196	9611-99-3197	9611-99-3197
13a	6	Washer	9611-99-3199	9611-99-3199	9611-99-3199
14	1	Screw for safety guard	9611-99-3239	9611-99-3239	9611-99-3239
16	1	Safety guard	9612-1311-06	9612-1311-10	9612-1311-08
17	1	Adaptor	9612-1359-11	9612-1359-12	9612-1359-13
18	4	Screw for adaptor	881-30173	881-30173	881-30173
19	2	Nut	9611-99-0353	9611-99-0353	9611-99-0353
20	2	Washer	9611-99-2559	9611-99-2559	9611-99-2559
28	10	Cap nut	9611-99-2593	9611-99-2593	9611-99-2593
29	10	Washer	9611-99-1887	9611-99-1887	9611-99-1887
30	1	Back plate	9612-4837-16	9612-4837-16	9612-4837-16
33	1	Spacing ring	9612-3625-02	9612-3625-02	9612-3625-02
37	1	Rotating seal housing	9612-3624-01	9612-3624-01	9612-3624-01
43	1	Joint ring, EPDM (standard)	9611-99-2983	9611-99-2983	9611-99-2983
	1	Joint ring, NBR	9611-99-2984	9611-99-2984	9611-99-2984
	1	Joint ring, FPM	9611-99-2985	9611-99-2985	9611-99-2985
44	10	Bolt	9611-99-2169	9611-99-2169	9611-99-2169
45	1	Pump casing, Clamp	9612-5117-08	9612-5117-08	9612-5117-08
46a-52	1	Leg assembly	481661	481661	481661
Alternatives					
40	1	Impeller for impeller screw	9612-5105-08	9612-5105-08	9612-5105-02
41	1	Impeller screw	9612-1396-03	9612-1396-03	9612-1396-03
42	1	O-ring, EPDM	9611-99-2145	9611-99-2145	9611-99-2145
	1	O-ring, NBR	9611-99-2147	9611-99-2147	9611-99-2147
	1	O-ring, FPM	9611-99-2146	9611-99-2146	9611-99-2146

Recommended Spare Parts: Service kits.

1.7 Pump for high inlet pressure, Type LKHP-45
Single and Flushed Shaft Seal

1. Parts List / Drawing

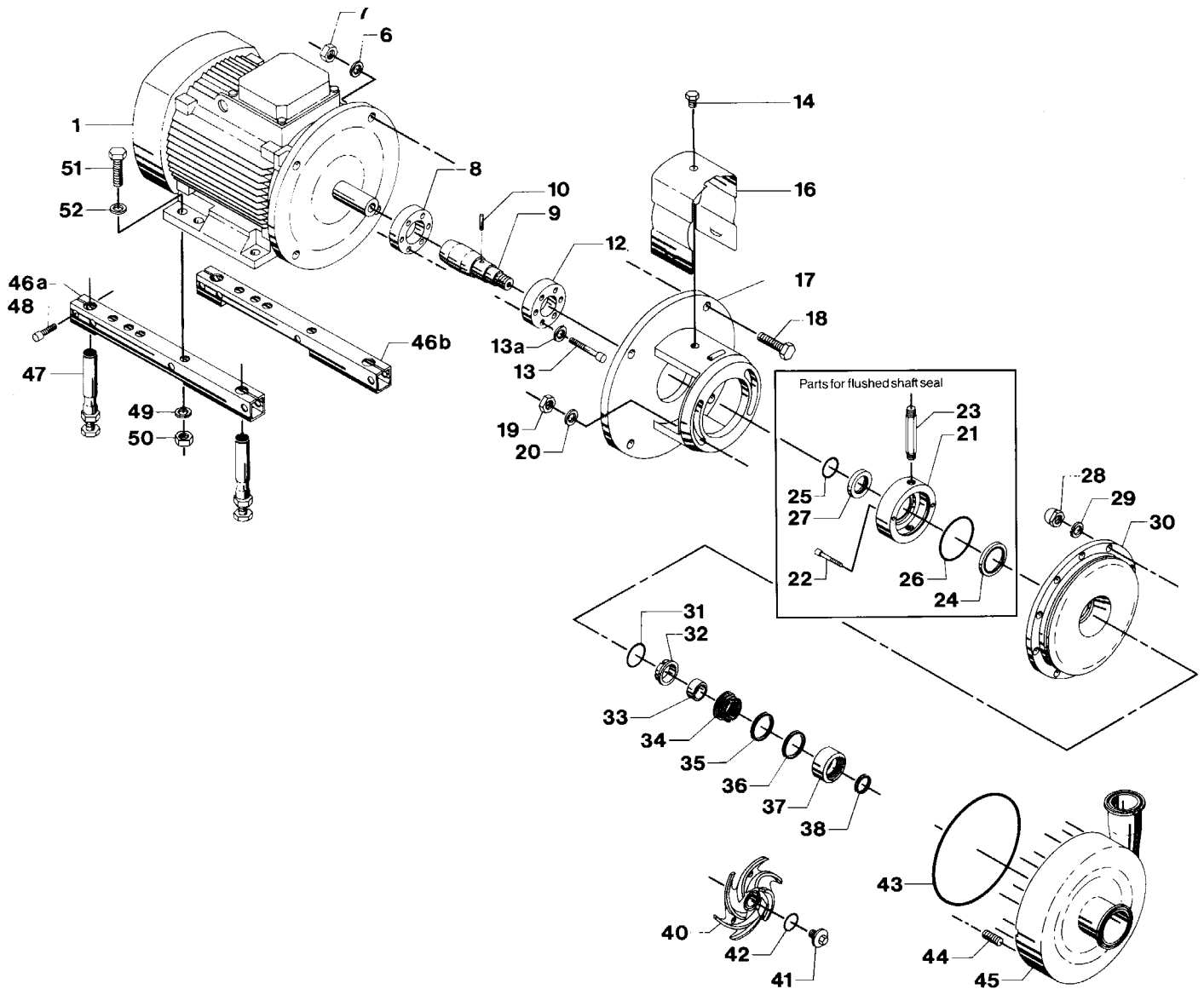
(Same drawing as previous drawing)



1. Parts List / Drawing

1.7 Pump for high inlet pressure, Type LKHP-45
Single and Flushed Shaft Seal

Pos.	Qty.	Denomination	7.5 - 20 HP	Pos.	Qty.	Denomination	7.5 - 20 HP
Parts for flushed shaft seal				◆★ Shaft seal complete, NBR 9612-3622-11			
21	1	Seal housing for flushed seal	9612-3626-02	24	1	Lip seal	9611-99-2860
22	2	Screw	9611-99-4038	25	1	O-ring, EPDM	9611-99-2754
23	2	Tube	9612-3589-07	26	1	O-ring, EPDM	9611-99-2753
27	1	Sleeve	9612-3629-02	31	1	O-ring	9611-99-2728
Single shaft seal				32 1 Stationary seal ring, SiC. 9612-3633-01			
□○		Shaft seal complete, EPDM (Standard)	9612-3622-04	34	1	Rotating seal ring, SiC.	9612-3634-02
31	1	O-ring	9611-99-2727	35	1	Quad ring	9611-99-2730
32	1	Stationary seal ring, SiC.	9612-3633-01	36	1	PTFE support ring	9612-4571-01
34	1	Rotating seal ring, SiC.	9612-3634-02	38	1	Quad ring	9611-99-2734
35	1	Quad ring	9611-99-2730	◆★ Shaft seal complete, FPM 9612-3622-12			
36	1	PTFE support ring	9612-4571-01	24	1	Lip seal	9611-99-2860
38	1	Quad ring	9611-99-2733	25	1	O-ring, EPDM	9611-99-2754
□○ Shaft seal complete, NBR 9612-3622-05				26	1	O-ring, EPDM	9611-99-2753
31	1	O-ring	9611-99-2728	31	1	O-ring	9611-99-2729
32	1	Stationary seal ring, SiC.	9612-3633-01	32	1	Stationary seal ring, SiC.	9612-3633-01
34	1	Rotating seal ring, SiC.	9612-3634-02	34	1	Rotating seal ring, SiC.	9612-3634-02
35	1	Quad ring	9611-99-2731	35	1	Quad ring	9611-99-2732
36	1	PTFE support ring	9612-4571-01	36	1	PTFE support ring	9612-4571-01
38	1	Quad ring	9611-99-2734	38	1	Quad ring	9611-99-2735
□○ Shaft seal complete, FPM 9612-3622-06				Service kit for single shaft seal Sic/Sic			
31	1	O-ring	9611-99-2729	□		Service kit, EPDM	9611-92-2194
32	1	Stationary seal ring, SiC.	9612-3633-01	□		Service kit, NBR	9611-92-2195
34	1	Rotating seal ring, SiC.	9612-3634-02	□		Service kit, FPM	9611-92-2196
35	1	Quad ring	9611-99-2732	Service kit for single shaft seal and impeller screw			
36	1	PTFE support ring	9612-4571-01	○		Service kit, EPDM	9611-92-2197
38	1	Quad ring	9611-99-2735	○		Service kit, NBR	9611-92-2198
Flushed shaft seal				○		Service kit, FPM	9611-92-2199
◆★		Shaft seal complete, EPDM (Standard)	9612-3622-10	Service kit for flushed shaft seal			
24	1	Lip seal	9611-99-2860	◆		Service kit, EPDM	9611-92-2200
25	1	O-ring, EPDM	9611-99-2754	◆		Service kit, NBR	9611-92-2201
26	1	O-ring, EPDM	9611-99-2753	◆		Service kit, FPM	9611-92-2202
31	1	O-ring	9611-99-2727	Service kit for flushed shaft seal and impeller screw			
32	1	Stationary seal ring, SiC.	9612-3633-01	★		Service kit, EPDM	9611-92-2203
34	1	Rotating seal ring, SiC.	9612-3634-02	★		Service kit, NBR	9611-92-2204
35	1	Quad ring	9611-99-2730	★		Service kit, FPM	9611-92-2205
36	1	PTFE support ring	9612-4571-01	Parts marked with □○◆★ are included in the service kits.			
38	1	Quad ring	9611-99-2733	Conversion kit, single to flushed shaft seal			
				9611-92-2177 = Pos. 21, 22, 23, 24, 25, 26 and 27.			



1. Parts List / Drawing

1.8 Pump for high inlet pressure, Type LKHP-50
Single and Flushed Shaft Seal

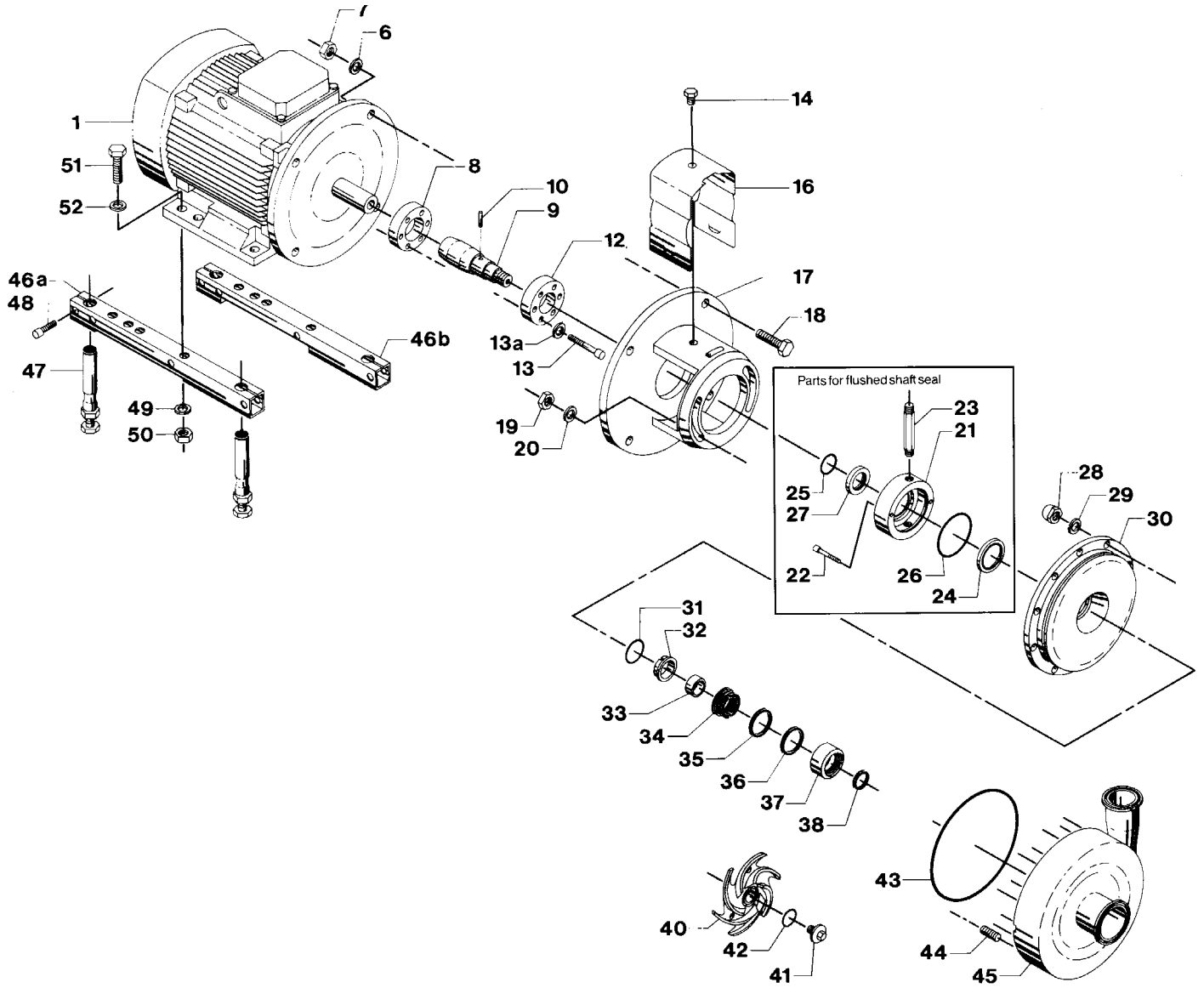
Pos.	Qty.	Denomination	7.5 HP	15-20 HP	25-30 HP
1	1	Motor			
3	4	Screw	9611-99-3240	9611-99-3241	9611-99-3242
5	4	Distance sleeve	9611-99-2737	31438-0390-2	31438-0390-1
8	1	Compression ring with thread	9612-1336-06	9612-1336-03	9612-1336-03
9	1	Shaft with internal/external thread and pin (pos.10)	9612-1332-02	9612-1333-02	9612-1333-02
10	1	Connex pin	9611-99-0622	9611-99-0622	9611-99-0622
12	1	Compression ring without thread	9612-1337-06	9612-1337-03	9612-1337-04
13	6	Screw	9611-99-3197	9611-99-3197	9611-99-3197
13a	6	Washer	9611-99-3199	9611-99-3199	9611-99-3199
14	1	Screw for safety guard	9611-99-3239	9611-99-3239	9611-99-3239
16	1	Safety guard	9612-1311-10	9612-1311-08	9612-1311-08
17	1	Adaptor	9612-1359-12	9612-1359-13	9612-1359-18
18	4	Screw for adaptor	881-30173	881-30173	881-30173
19	2	Nut	9611-99-0353	9611-99-0353	9611-99-0353
20	2	Washer	9611-99-2559	9611-99-2559	9611-99-2559
28	12	Cap nut	9611-99-2593	9611-99-2593	9611-99-2593
29	12	Washer	9611-99-1887	9611-99-1887	9611-99-1887
30	1	Back plate	9612-4837-03	9612-4837-03	9612-4837-03
33	1	Spacing ring	9612-3625-02	9612-3625-02	9612-3625-02
37	1	Rotating seal housing	9612-3624-01	9612-3624-01	9612-3624-01
43	1	Joint ring, EPDM (standard)	9611-99-2171	9611-99-2171	9611-99-2171
	1	Joint ring, NBR	9611-99-2173	9611-99-2173	9611-99-2173
	1	Joint ring, FPM	9611-99-2172	9611-99-2172	9611-99-2172
44	12	Bolt	9611-99-2169	9611-99-2169	9611-99-2169
45	1	Pump casing, Clamp	9612-4840-09	9612-4840-09	9612-4840-09
46a-52	1	Leg assembly	481663	481663	481669
Alternatives					
40	1	Impeller for impeller screw	9612-4085-08	9612-4085-02	9612-4085-02
41	1	Impeller screw	9612-1396-03	9612-1396-03	9612-1396-03
42	1	O-ring, EPDM	9611-99-2145	9611-99-2145	9611-99-2145
	1	O-ring, NBR	9611-99-2147	9611-99-2147	9611-99-2147
	1	O-ring, FPM	9611-99-2146	9611-99-2146	9611-99-2146

Recommended Spare Parts: Service kits.

1.8 Pump for high inlet pressure, Type LKHP-50
Single and Flushed Shaft Seal

1. Parts List / Drawing

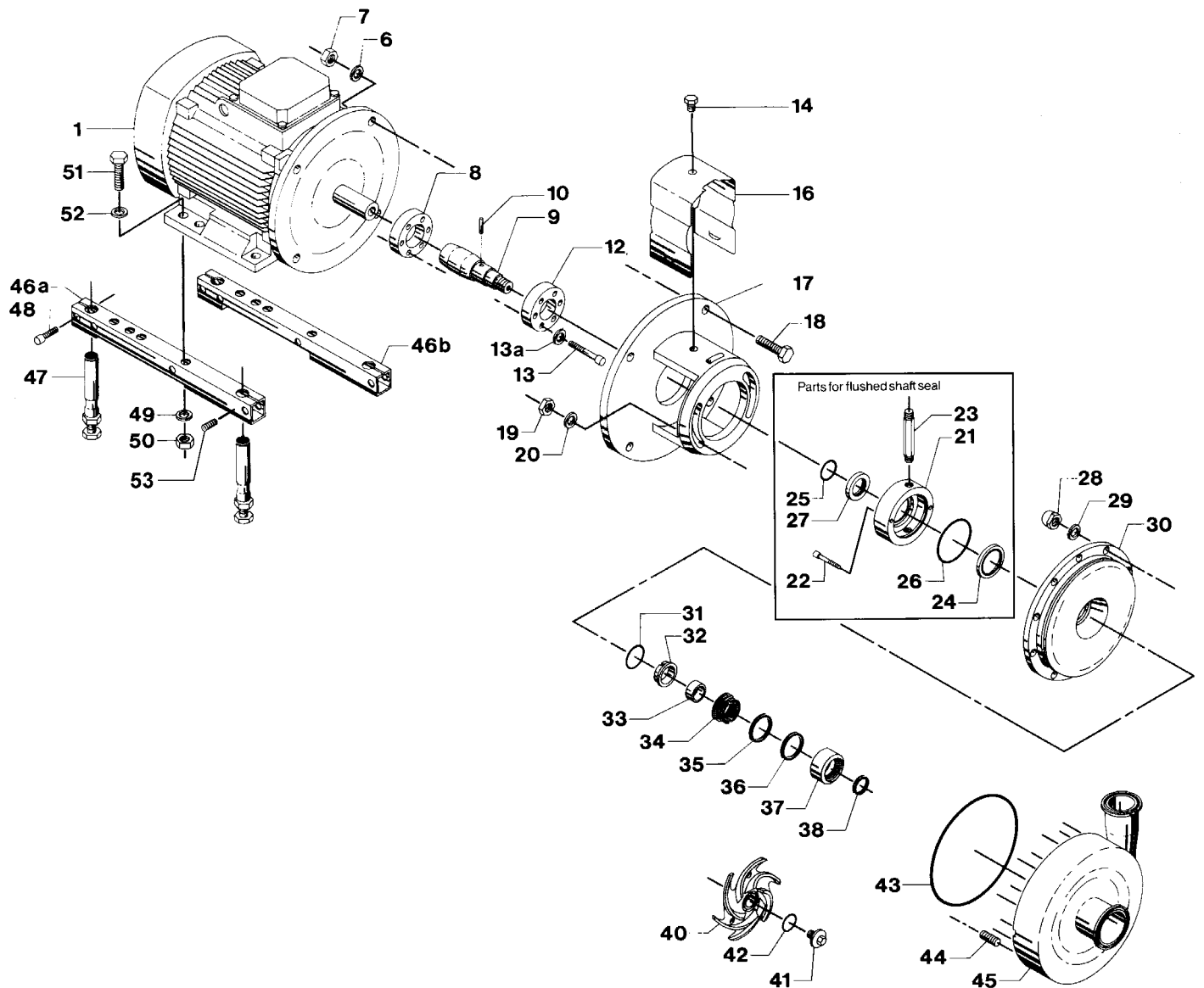
(Same drawing as previous drawing)



1. Parts List / Drawing

1.8 Pump for high inlet pressure, Type LKHP-50
Single and Flushed Shaft Seal

Pos.	Qty.	Denomination	7.5 - 30 HP	Pos.	Qty.	Denomination	7.5 - 30 HP
Parts for flushed shaft seal				◆* Shaft seal complete, NBR 9612-3622-11			
21	1	Seal housing for flushed seal	9612-3626-02	24	1	Lip seal	9611-99-2860
22	2	Screw	9611-99-4038	25	1	O-ring, EPDM	9611-99-2754
23	2	Tube	9612-3589-07	26	1	O-ring, EPDM	9611-99-2753
27	1	Sleeve	9612-3629-02	31	1	O-ring	9611-99-2728
Single shaft seal				32	1	Stationary seal ring, SiC.	9612-3633-01
<input type="checkbox"/>	<input type="checkbox"/>	Shaft seal complete, EPDM (Standard)	9612-3622-04	34	1	Rotating seal ring, SiC.	9612-3634-02
31	1	O-ring	9611-99-2727	35	1	Quad ring	9611-99-2731
32	1	Stationary seal ring, SiC.	9612-3633-01	36	1	PTFE support ring	9612-4571-01
34	1	Rotating seal ring, SiC.	9612-3634-02	38	1	Quad ring	9611-99-2734
35	1	Quad ring	9611-99-2730	◆* Shaft seal complete, FPM 9612-3622-12			
36	1	PTFE support ring	9612-4571-01	24	1	Lip seal	9611-99-2860
38	1	Quad ring	9611-99-2733	25	1	O-ring, EPDM	9611-99-2754
<input type="checkbox"/>				26	1	O-ring, EPDM	9611-99-2753
<input type="checkbox"/>				31	1	O-ring	9611-99-2729
<input type="checkbox"/>				32	1	Stationary seal ring, SiC.	9612-3633-01
<input type="checkbox"/>				34	1	Rotating seal ring, SiC.	9612-3634-02
<input type="checkbox"/>				35	1	Quad ring	9611-99-2731
<input type="checkbox"/>				36	1	PTFE support ring	9612-4571-01
<input type="checkbox"/>				38	1	Quad ring	9611-99-2735
<input type="checkbox"/>				Service kit for single shaft seal Sic/Sic			
<input type="checkbox"/>				<input type="checkbox"/>	Service kit, EPDM..... 9611-92-2163		
<input type="checkbox"/>				<input type="checkbox"/>	Service kit, NBR..... 9611-92-2164		
<input type="checkbox"/>				<input type="checkbox"/>	Service kit, FPM..... 9611-92-2165		
<input type="checkbox"/>				Service kit for single shaft seal and impeller screw			
<input type="checkbox"/>				<input type="checkbox"/>	Service kit, EPDM..... 9611-92-2166		
<input type="checkbox"/>				<input type="checkbox"/>	Service kit, NBR..... 9611-92-2167		
<input type="checkbox"/>				<input type="checkbox"/>	Service kit, FPM..... 9611-92-2168		
<input type="checkbox"/>				Service kit for flushed shaft seal			
<input type="checkbox"/>				<input type="checkbox"/>	Service kit, EPDM..... 9611-92-2169		
<input type="checkbox"/>				<input type="checkbox"/>	Service kit, NBR..... 9611-92-2170		
<input type="checkbox"/>				<input type="checkbox"/>	Service kit, FPM..... 9611-92-2171		
<input type="checkbox"/>				Service kit for flushed shaft seal and impeller screw			
<input type="checkbox"/>				<input type="checkbox"/>	Service kit, EPDM..... 9611-92-2172		
<input type="checkbox"/>				<input type="checkbox"/>	Service kit, NBR..... 9611-92-2173		
<input type="checkbox"/>				<input type="checkbox"/>	Service kit, FPM..... 9611-92-2174		
Flushed shaft seal				Parts marked with <input type="checkbox"/><input type="checkbox"/>◆* are included in the service kits.			
◆*	◆*	Shaft seal complete, EPDM (Standard)	9612-3622-10	Conversion kit, single to flushed shaft seal			
24	1	Lip seal	9611-99-2860	9611-92-2177 = Pos. 21, 22, 23, 24, 25, 26 and 27.			
25	1	O-ring, EPDM	9611-99-2754				
26	1	O-ring, EPDM	9611-99-2753				
31	1	O-ring	9611-99-2727				
32	1	Stationary seal ring, SiC.	9612-3633-01				
34	1	Rotating seal ring, SiC.	9612-3634-02				
35	1	Quad ring	9611-99-2730				
36	1	PTFE support ring	9612-4571-01				
38	1	Quad ring	9611-99-2733				



1. Parts List / Drawing

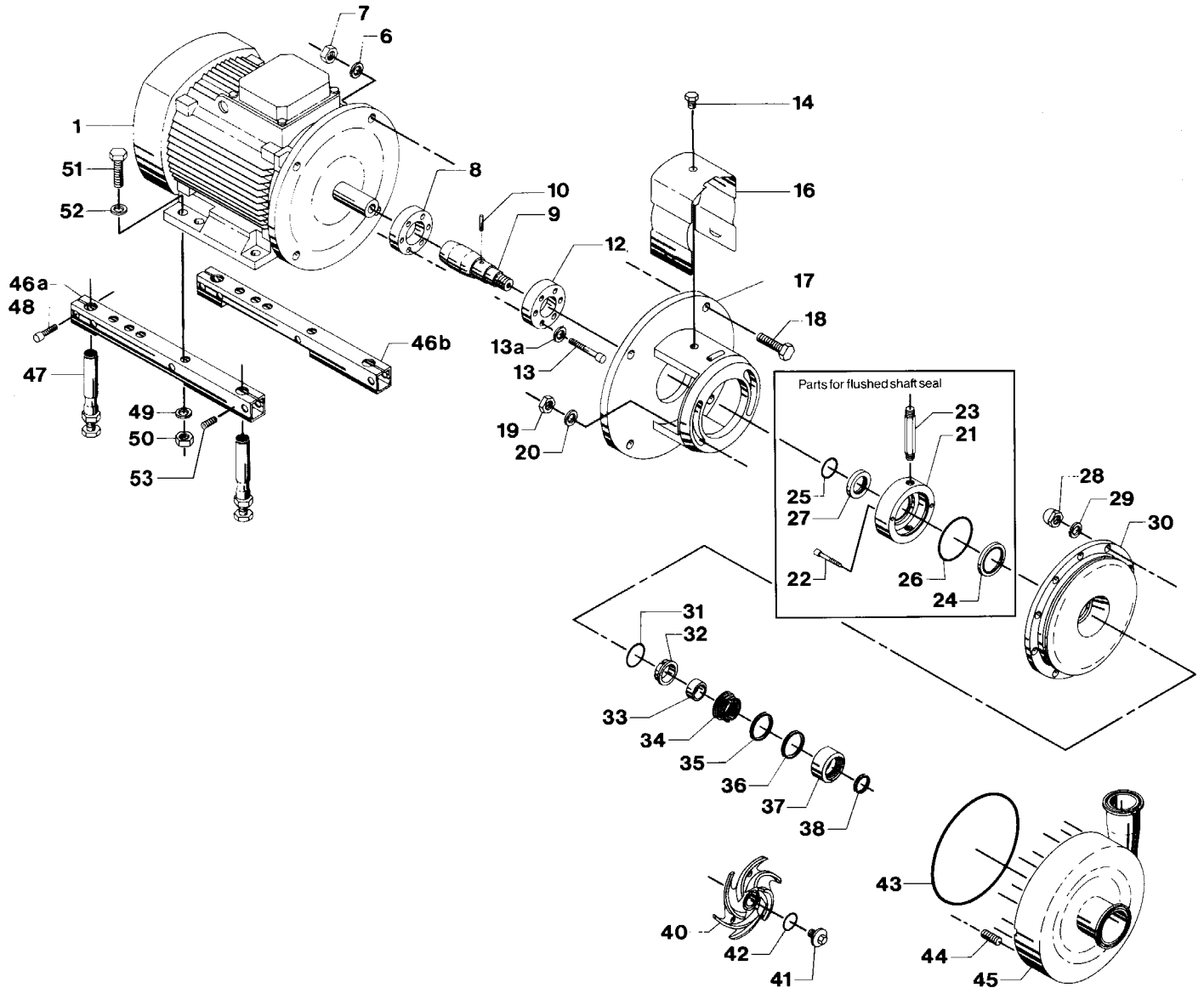
1.9 Pump for high inlet pressure, Type LKHP-60
Single and Flushed Shaft Seal

Pos.	Qty.	Denomination	7.5-10 HP	15-20 HP	25-30 HP	40 HP
1	1	Motor				
3	4	Screw	9611-99-3240	9611-99-3241	9611-99-3242	9611-99-3243
5	4	Distance sleeve	9611-99-2737	31438-0390-2	31438-0390-1	31438-0390-3
8	1	Compression ring with thread	9612-1336-06	9612-1336-03	9612-1336-04	9612-1336-04
9	1	Shaft with internal/external thread and pin (pos.10)	9612-1332-02	9612-1333-02	9612-1333-02	9612-1334-02
10	1	Connex pin	9611-99-0622	9611-99-0622	9611-99-0622	9611-99-0622
12	1	Compression ring without thread	9612-1337-06	9612-1337-03	9612-1337-04	9612-1337-07
13	6	Screw	9611-99-3197	9611-99-3197	9611-99-3197	9611-99-3197
13a	6	Washer	9611-99-3199	9611-99-3199	9611-99-3199	9611-99-3199
14	1	Screw for safety guard	9611-99-3239	9611-99-3239	9611-99-3239	9611-99-3239
16	1	Safety guard	9612-1311-10	9612-1311-08	9612-1311-08	9612-1311-08
17	1	Adaptor	9612-1359-12	9612-1359-13	9612-1359-18	9612-1359-24
18	4	Screw for adaptor	881-30173	881-30173	881-30173	881-30173
19	2	Nut	9611-99-0353	9611-99-0353	9611-99-0353	9611-99-0353
20	2	Washer	9611-99-2559	9611-99-2559	9611-99-2559	9611-99-2559
28	12	Cap nut	9611-99-2593	9611-99-2593	9611-99-2593	9611-99-2593
29	12	Spring washer	9611-99-1887	9611-99-1887	9611-99-1887	9611-99-1887
30	1	Back plate	9612-4837-03	9612-4837-03	9612-4837-03	9612-4837-03
33	1	Spacing ring	9612-3625-02	9612-3625-02	9612-3625-02	9612-3625-02
37	1	Rotating seal housing	9612-3624-01	9612-3624-01	9612-3624-01	9612-3624-01
43	1	Joint ring, EPDM (standard)	9611-99-2171	9611-99-2171	9611-99-2171	9611-99-2171
	1	Joint ring, NBR	9611-99-2173	9611-99-2173	9611-99-2173	9611-99-2173
	1	Joint ring, FPM	9611-99-2172	9611-99-2172	9611-99-2172	9611-99-2172
44	12	Bolt	9611-99-2169	9611-99-2169	9611-99-2169	9611-99-2169
45	1	Pump casing, Clamp	9612-4840-10	9612-4840-10	9612-4840-10	9612-4840-10
46a-52	1	Leg assembly	481663	481665	481669	31460-1302-5
Alternatives						
40	1	Impeller for impeller screw	9612-4086-08	9612-4086-08	9612-4086-02	9612-4086-02
41	1	Impeller screw	9612-1396-03	9612-1396-03	9612-1396-03	9612-1396-03
42	1	O-ring, EPDM	9611-99-2145	9611-99-2145	9611-99-2145	9611-99-2145
	1	O-ring, NBR	9611-99-2147	9611-99-2147	9611-99-2147	9611-99-2147
	1	O-ring, FPM	9611-99-2146	9611-99-2146	9611-99-2146	9611-99-2146

1.9 Pump for high inlet pressure, Type LKHP-60
Single and Flushed Shaft Seal

1. Parts List / Drawing

(Same drawing as previous drawing)



1. Parts List / Drawing

1.9 Pump for high inlet pressure, Type LKHP-60
Single and Flushed Shaft Seal

Pos.	Qty.	Denomination	7.5 - 40 HP	Pos.	Qty.	Denomination	7.5 - 40 HP
Parts for flushed shaft seal				◆□ Shaft seal complete, NBR 9612-3622-11			
21	1	Seal housing for flushed seal	9612-3626-02	24	1	Lip seal	9611-99-2860
22	2	Screw	9611-99-4038	25	1	O-ring, EPDM	9611-99-2754
23	2	Tube	9612-3589-07	26	1	O-ring, EPDM	9611-99-2753
27	1	Sleeve	9612-3629-02	31	1	O-ring	9611-99-2728
Single shaft seal				32 1 Stationary seal ring, SiC. 9612-3633-01			
◆○ Shaft seal complete, EPDM (Standard) 9612-3622-04				34 1 Rotating seal ring, SiC. 9612-3634-02			
31	1	O-ring	9611-99-2727	35 1 Quad ring 9611-99-2731			
32	1	Stationary seal ring, SiC.	9612-3633-01	36 1 PTFE support ring 9612-4571-01			
34	1	Rotating seal ring, SiC.	9612-3634-02	38 1 Quad ring 9611-99-2734			
35	1	Quad ring	9611-99-2730	◆□ Shaft seal complete, FPM 9612-3622-12			
36	1	PTFE support ring	9612-4571-01	24	1	Lip seal	9611-99-2860
38	1	Quad ring	9611-99-2733	25	1	O-ring, EPDM	9611-99-2754
◆○ Shaft seal complete, NBR 9612-3622-05				26	1	O-ring, EPDM	9611-99-2753
31	1	O-ring	9611-99-2728	31	1	O-ring	9611-99-2729
32	1	Stationary seal ring, SiC.	9612-3633-01	32	1	Stationary seal ring, SiC.	9612-3633-01
34	1	Rotating seal ring, SiC.	9612-3634-02	34	1	Rotating seal ring, SiC.	9612-3634-02
35	1	Quad ring	9611-99-2731	35	1	Quad ring	9611-99-2732
36	1	PTFE support ring	9612-4571-01	36	1	PTFE support ring	9612-4571-01
38	1	Quad ring	9611-99-2734	38	1	Quad ring	9611-99-2735
◆○ Shaft seal complete, FPM 9612-3622-06				Service kit for single shaft seal Sic/Sic			
31	1	O-ring	9611-99-2729	◆ Service kit, EPDM. 9611-92-2163			
32	1	Stationary seal ring, SiC.	9612-3633-01	◆ Service kit, NBR. 9611-92-2164			
34	1	Rotating seal ring, SiC.	9612-3634-02	◆ Service kit, FPM. 9611-92-2165			
35	1	Quad ring	9611-99-2732	Service kit for single shaft seal and impeller screw			
36	1	PTFE support ring	9612-4571-01	○ Service kit, EPDM. 9611-92-2166			
38	1	Quad ring	9611-99-2735	○ Service kit, NBR. 9611-92-2167			
Flushed shaft seal				○ Service kit, FPM. 9611-92-2168			
◆□ Shaft seal complete, EPDM (Standard) 9612-3622-10				Service kit for flushed shaft seal			
24	1	Lip seal	9611-99-2860	◆ Service kit, EPDM. 9611-92-2169			
25	1	O-ring, EPDM	9611-99-2754	◆ Service kit, NBR. 9611-92-2170			
31	1	O-ring	9611-99-2727	◆ Service kit, FPM. 9611-92-2171			
32	1	Stationary seal ring, SiC.	9612-3633-01	Service kit for flushed shaft seal and impeller screw			
34	1	Rotating seal ring, SiC.	9612-3634-02	□ Service kit, EPDM. 9611-92-2172			
35	1	Quad ring	9611-99-2730	□ Service kit, NBR. 9611-92-2173			
36	1	PTFE support ring	9612-4571-01	□ Service kit, FPM. 9611-92-2174			
38	1	Quad ring	9611-99-2733	Parts marked with ◆○◆□ are included in the service kits.			
				Conversion kit, single to flushed shaft seal			
				9611-92-2177 = Pos. 21, 22, 23, 24, 25, 26 and 27.			