

Surface roughness, product wetted parts: Ra ≤ 32 μ inch

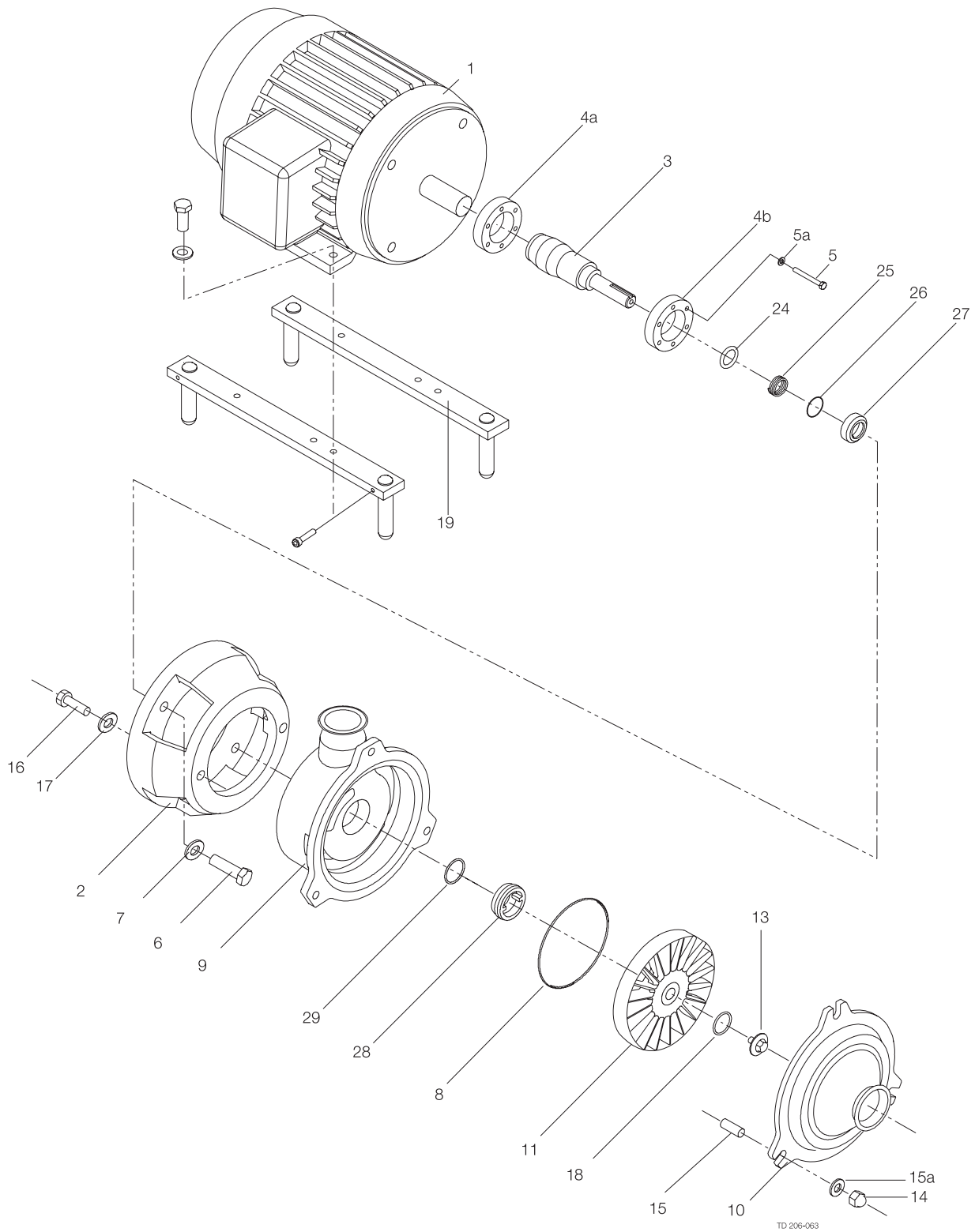
Pos.	Qty.	Denomination	
1	1	Motor 3 Hp	9613-6016-02
2	1	Bracket	9612-3689-01
3	1	Shaft	9613-4215-01
4	2	Screw	9612-5875-01
6	1	Bracket set stainless steel	481661
	1	Bracket set carbon steel (standard)	481658
8	■ 1	O-ring, EPDM (Standard)	9611-99-4669
	1	O-ring, NBR	9611-99-4670
	1	O-ring, FPM	9611-99-4671
9	1	Pump casing, Tri-clamp	9613-4240-01
		Pump casing, BS-male	9613-4240-05
10	1	Casing cover, Tri-clamp	9613-4241-01
		Casing cover, BS-male	9613-4241-07
11	1	Impeller	9613-4218-03
13	1	Impeller screw	9612-3627-05
14	3	Cap nut	221851-15
15	3	Stud bolt	9612-3635-04
15a	3	Washer	9611-99-0706
18	■ 1	O-ring for impellerscew EPDM (standard)	9611-99-4701
		O-ring for impellerscew NBR	9611-99-4702
		O-ring for impellerscew FPM	9611-99-4703
21	1	Thrower	31452-0004-1
40	2	Screw	9611-99-4414
41	2	Spring washer	9611-99-4417
45	4	Screw	9611-99-4412
46	4	Washer	9611-99-4417
Accessories (Delivered with every new pump)			
	1	Spanner for stationary seal ring	31438-0335-1

Surface roughness, product wetted parts: Ra ≤ 20 μ inch

Pos.	Qty.	Denomination	
9	1	Pump casing, Tri-clamp	9613-4240-03
		Pump casing, BS-male	9613-4240-07
10	1	Casing cover, Tri-clamp	9613-4241-04
		Casing cover, BS-male	9613-4241-10
11	1	Impeller	9613-4218-02
13	1	Impeller screw	9612-3627-06

Pos.	Qty.	Denomination		Pos.	Qty.	Denomination	
■		Shaft seal, complete, EPDM C/SS (Std.)	9613-4238-01	■		Shaft seal, complete, C/SS FPM	9613-4238-03
24	1	Spring	104154	24	1	Spring	104154
25	1	Spacer ring	31437-0212-1	25	1	Spacer ring	31437-0212-1
26	1	Washer	104125	26	1	Washer	104125
27	1	O-ring	9611-99-4698	27	1	O-ring	9611-99-4700
28	1	Rotating seal ring	31437-0211-1	28	1	Rotating seal ring	31437-0211-1
29	1	Stationary seal ring	9613-4220-01	29	1	Stationary seal ring	9613-4220-01
30	1	O-ring	9611-99-4695	30	1	O-ring	9611-99-4697
■		Shaft seal, complete, C/SS NBR	9613-4238-02	■		Service kit, EPDM	9611-92-1946
24	1	Spring	104154	■		Service kit, NBR	9611-92-1947
25	1	Spacer ring	31437-0212-1	■		Service kit, FPM	9611-92-1948
26	1	Washer	104125				
27	1	O-ring	9611-99-4699				
28	1	Rotating seal ring	31437-0211-1				
29	1	Stationary seal ring	9613-4220-01				
30	1	O-ring	9611-99-4696				

Parts marked with ■ are included in the Service kits.
 Recommended spare parts: Service kits.
 900330/2



Surface roughness, product wetted parts: Ra ≤ 32 μ inch

Pos.	Qty.	Denomination	MR-185	MR-200
1	1	Motor 7.5Hp	9613-6016-09	
1	1	Motor 15Hp		9613-6016-16
2	1	Bracket	9612-3689-01	9612-3690-01
3	1	Shaft	9613-4221-01	9613-4222-01
4a	1	Compression ring	9612-1337-06	9612-1337-03
4b	1	Compression ring	9612-1336-06	9612-1336-03
5	6	Screw	9611-99-3197	9611-99-3198
5a	6	Washer	9611-99-3199	9611-99-3199
6	4	Screw	9611-99-4413	9611-99-4414
7	4	Washer	9611-99-4417	9611-99-4417
8	1	⊗ O-ring, EPDM (Standard)	9611-99-4672	9611-99-4672
	1	○ O-ring, NBR	9611-99-4673	9611-99-4673
	1	○ O-ring, FPM	9611-99-4674	9611-99-4674
9	1	Pump casing, Tri-clamp	9613-4240-02	9613-4240-02
	1	Pump casing, BS-male	9613-4240-06	9613-4240-06
10	1	Casing cover MR-185, Tri-clamp	9613-4241-02	
	1	Casing cover MR-185, BS-male	9613-4241-08	
	1	Casing cover MR-200, Tri-clamp		9613-4241-03
	1	Casing cover MR-200, BS-male		9613-4241-09
11	1	Impeller	9613-4226-03	9613-4226-03
13	1	Impellerscrew	9612-1396-03	9612-1396-03
14	3	Cap nut	221851-15	221851-15
15	3	Screw	9611-99-2408	9611-99-2408
15a	3	Washer	9611-99-0706	9611-99-0706
16	2	Screw	9611-99-4414	9611-99-4414
17	2	Washer	223107-22	223107-22
24	1	Thrower	31438-0045-1	31438-0045-1
18	1	⊗ O-ring for impellerscrew EPDM (standard)	9611-99-4689	9611-99-4689
	1	○ O-ring for impellerscrew NBR	9611-99-4710	9611-99-4710
	1	○ O-ring for impellerscrew FPM	9611-99-4711	9611-99-4711
19	1	Bracket set stainless steel	481663	481665
	1	Bracket set carbon steel (standard)	481662	481664
Accessories (Delivered with every new pump)				
	1	Spanner for stationary seal ring	31438-0335-1	31438-0335-1

Surface roughness, product wetted parts: Ra ≤ 20 μ inch

9	1	Pump casing, Tri-clamp	9613-4240-04	9613-4240-04
	1	Pump casing, BS-male	9613-4240-08	9613-4240-08
10	1	Casing cover MR-185, Tri-clamp	9613-4241-05	9613-4241-05
	1	Casing cover MR-185, BS-male	9613-4241-11	9613-4241-11
	1	Casing cover MR-200, Tri-clamp	9613-4241-06	9613-4241-06
	1	Casing cover MR-200, BS-male	9613-4241-12	9613-4241-12
11	1	Impeller	9613-4226-02	9613-4226-02
13	1	Impellerscrew	9612-1396-09	9612-1396-09

Pos.	Qty.	Denomination	
■		Shaft seal, complete, EPDM (Standard)	9613-4239-01
25	1	Spring	31438-0057-1
26	1	O-ring	9611-99-4707
27	1	Rotating seal ring	31438-0056-1
28	1	Stationary seal ring	9613-4227-01
29	1	O-ring	9611-99-4704
■		Shaft seal, complete, NBR	9613-4239-02
25	1	Spring	31438-0057-1
26	1	O-ring	9611-99-4708
27	1	Rotating seal ring	31438-0056-1
28	1	Stationary seal ring	9613-4227-01
29	1	O-ring	9611-99-4705
■		Shaft seal, complete, FPM	9613-4239-03
25	1	Spring	31438-0057-1
26	1	O-ring	9611-99-4709
27	1	Rotating seal ring	31438-0056-1
28	1	Stationary seal ring	9613-4227-01
29	1	O-ring	9611-99-4706

Pos.	Qty.	Denomination	
Alternatives			
⊗		Shaft seal, complete, EPDM SIC/SIC	9613-4239-04
25	1	Spring	31438-0057-1
26	1	O-ring	9611-99-4707
27	1	Rotating seal ring SiC.	31438-0056-4
28	1	Stationary seal ring SiC.	9613-4227-02
29	1	O-ring	9611-99-4704
⊗		Shaft seal, complete, NBR SIC/SIC	9613-4239-05
25	1	Spring	31438-0057-1
26	1	O-ring	9611-99-4708
27	1	Rotating seal ring SiC.	31438-0056-4
28	1	Stationary seal ring SiC.	9613-4227-02
29	1	O-ring	9611-99-4705
⊗		Shaft seal, complete, FPM SIC/SIC	9613-4239-06
25	1	Spring	31438-0057-1
26	1	O-ring	9611-99-4709
27	1	Rotating seal ring SiC.	31438-0056-4
28	1	Stationary seal ring SiC.	9613-4227-02
29	1	O-ring	9611-99-4706

	C/SS	SIC/SIC
Service kit, EPDM.	■ 9611-92-1949	⊗ 9611-92-1952
Service kit, NBR.	■ 9611-92-1950	⊗ 9611-92-1953
Service kit, FPM.	■ 9611-92-1951	⊗ 9611-92-1954

Parts marked with ■ are included in the Service kits.
Recommended spare parts: Service kits.

900331/2