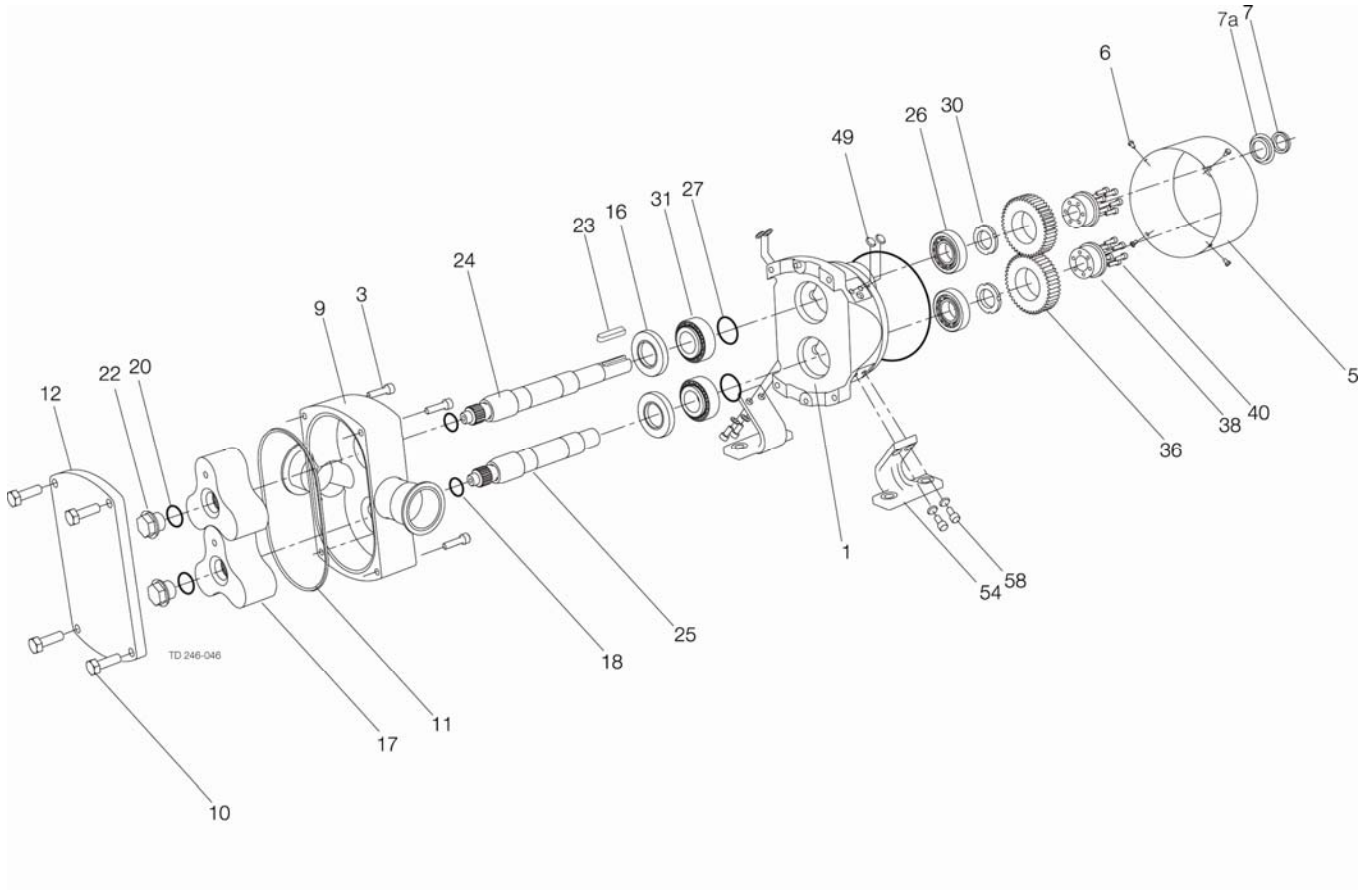


OptiLobe 22 / 23 Pump					
Drg No.	Description	Qty	Part No.	Article No.	
1	Bearing housing	1	9630634101	9630634101	
2	Dowel	2	5170.025	9630030093	
3	Screw, rotorcase retention	4	31499.5201.1	9630037029	
5	Canister	1	9630637101	9630637101	
6	Screw, canister retention	4	5950.091	9630863216	
	Washer, canister screw	4	31499.5962.2	9630038040	
7	Lip seal, drive end	1	9630644507	9630644507	
7A	Carrier, lip seal	1	9630633201	9630633201	
9	Rotorcase	1	IDF	9630623201	9630623201
			Tri-Clamp	9630623202	9630623202
			SMS 22 (40 mm)	9630623203	9630623203
			DIN 11851	9630623204	9630623204
			RJT	9630623205	9630623205
			IDF	9630623301	9630623301
			Tri-Clamp	9630623302	9630623302
			SMS 23 (40 mm)	9630623303	9630623303
			DIN 11851	9630623304	9630623304
			RJT	9630623305	9630623305
10	Screw, rotorcase cover	4	5950.027	9630024554	
11	'O' ring - cover	1	1551.255	9630044927	
			1555.255	9630044928	
12	Cover, rotorcase	1	9630639601	9630639601	
16	Lip seal, gland end	2	9630644502	9630644502	
17	Rotor, Trilobe Stainless Steel	8 bar 130°C	22	9630630201	9630630201
		8 bar 130°C	23	9630630301	9630630301
18	'O' Ring, rotor sealing shaft end	FPM	2	1551.115	9630023407
		EPDM		1555.115	9630863409
20	'O' Ring, rotor sealing nut end	FPM	2	1551.218	9630019388
		EPDM		5380.804	9630861548
21	'O' Ring, canister	1	1550.256	9630863410	
22	Nut, rotor retention	22	2	9630641401	9630641401
		23		9630641501	9630641501
23	Key	1	5270.007	9630023916	
24	Shaft, drive	1	9630638601	9630638601	
25	Shaft, auxiliary	1	9630639101	9630639101	
26	Bearing, rear		2	5080.027	9630861678
		0.050		9630642525	9630642525
		0.075	2	9630642527	9630642527
				9630642530	9630642530
30	Nut, bearing	2	5340.055	9630056683	
31	Bearing, front	2	5080.028	9630861679	
36	Timing gear	2	9630640101	9630640101	
38	Torque locking assembly	2	9630640601	9630640601	
45	Drain plug	2	1660.002	9630023544	
49	Blanking plug	2	5470.027	9630861224	
50	Gland guard	22	2	9630642101	9630642101
		23		9630642102	9630642102
51	Screw, gland guard	4	5950.093	9630865138	
53	Washer, gland guard		4	6400.127	9630864986
			4	31499.5962.2	9630038040
54	Foot	2	9630638101	9630638101	
58	Screw, Foot	4	5990.066	9630028936	
	Blanking plug	4	5470.022	9630089950	
	Blanking plug	4	5470.028	9630861225	

OptiLobe 32 / 33 Pump					
Drg No.	Description	Qty	Part No.	Article No.	
1	Bearing housing	1	9630634201	9630634201	
2	Dowel	2	5170.025	9630030093	
3	Screw, rotorcase retention	4	31499.5201.1	9630037029	
5	Canister	1	9630637201	9630637201	
6	Screw, canister retention	4	5950.091	9630863216	
	Washer, canister screw	4	31499.5962.2	9630038040	
7	Lip seal, drive end	1	5310.037	9630030622	
7A	Carrier, lip seal	1	9630633201	9630633201	
9	Rotorcase	1	IDF	9630623401	9630623401
			Tri-Clamp	9630623402	9630623402
			SMS 32 (50 mm)	9630623403	9630623403
			DIN 11851	9630623404	9630623404
			RJT	9630623405	9630623405
			IDF	9630623501	9630623501
			Tri-Clamp	9630623502	9630623502
			SMS 33 (50 mm)	9630623503	9630623503
			DIN 11851	9630623504	9630623504
			RJT	9630623505	9630623505
10	Screw, rotorcase cover	4	5950.027	9630024554	
11	'O' ring - cover	1	1551.262	9630865829	
			1555.262	9630065133	
12	Cover, rotorcase	1	9630639701	9630639701	
16	Lip seal, gland end	2	9630644503	9630644503	
17	Rotor, Trilobe Stainless Steel	8 bar 130°C	32	9630630401	9630630401
		8 bar 130°C	33	9630630501	9630630501
18	'O' Ring, rotor sealing shaft end	2	FPM	1551.117	9630038157
			EPDM	5380.805	9630861549
20	'O' Ring, rotor sealing nut end	2	FPM	1551.218	9630019388
			EPDM	5380.804	9630861548
21	'O' Ring, canister	1	1550.262	9630863367	
22	Nut, rotor retention	2	32	9630641401	9630641401
			33	9630641501	9630641501
23	Key	1	5270.031	9630031499	
24	Shaft, drive	1	9630638701	9630638701	
25	Shaft, auxiliary	1	9630639201	9630639201	
26	Bearing, rear	2	5080.029	9630862428	
			0.050	9630642535	9630642535
			0.075	9630642537	9630642537
27	Shim, shaft abutment	2	0.100	9630642540	9630642540
30	Nut, bearing	2	5340.041	9630029136	
31	Bearing, front	2	5080.030	9630862429	
36	Timing gear	2	9630640201	9630640201	
38	Torque locking assembly	2	9630640701	9630640701	
45	Drain plug	2	1660.002	9630023544	
49	Blanking plug	2	5470.027	9630861224	
50	Gland guard	2	32	9630642201	9630642201
			33	9630642202	9630642202
51	Screw, gland guard	4	5950.093	9630865138	
53	Washer, gland guard	4	6400.127	9630864986	
		4	31499.5962.2	9630038040	
54	Foot	2	9630638201	9630638201	
58	Screw, Foot	4	5990.066	9630028936	
	Blanking plug	4	5470.022	9630089950	
	Blanking plug	4	5470.028	9630861225	

OptiLobe 42 / 43 Pump					
Drg No.	Description	Qty	Part No.	Article No.	
1	Bearing housing	1	9630634301	9630634301	
2	Dowel	2	5170.025	9630030093	
3	Screw, rotorcase retention	4	5990.038	9630027137	
5	Canister	1	9630637301	9630637301	
6	Screw, canister retention	4	5950.091	9630863216	
	Washer, canister screw	4	31499.5962.2	9630038040	
7	Lip seal, drive end	1	9630644509	9630644509	
7A	Carrier, lip seal	1	9630633301	9630633301	
9	Rotorcase	1	IDF	9630623601	9630623601
			Tri-Clamp	9630623602	9630623602
			SMS 42 (65 mm)	9630623603	9630623603
			DIN 11851	9630623604	9630623604
			RJT	9630623605	9630623605
			IDF	9630623701	9630623701
			Tri-Clamp	9630623702	9630623702
			SMS 43 (80 mm)	9630623703	9630623703
			DIN 11851	9630623704	9630623704
			RJT	9630623705	9630623705
10	Screw, rotorcase cover	4	5950.027	9630024554	
11	'O' ring - cover	1	FPM 5380.643 EPDM 1555.267	9630063109 9630019861	
12	Cover, rotorcase	1	9630639801	9630639801	
16	Lip seal, gland end	2	NBR 9630644504	9630644504	
17	Rotor, Trilobe Stainless Steel	2	8 bar 130°C 42 8 bar 130°C 43 9630630601 9630630701	9630630601 9630630701	
18	'O' Ring, rotor sealing shaft end	2	FPM 1551.123 EPDM 1555.123	9630037140 9630037138	
20	'O' Ring, rotor sealing nut end	2	FPM 5380.232 EPDM 5380.234	9630028357 9630028321	
21	'O' Ring, canister	1	NBR 1550.268	9630059967	
22	Nut, rotor retention	2	42 9630641601 43 9630641701	9630641601 9630641701	
23	Key	1	5270.031	9630031499	
24	Shaft, drive	1	9630638801	9630638801	
25	Shaft, auxiliary	1	9630639301	9630639301	
26	Bearing, rear	2	5080.032	9630862089	
27	Shim, shaft abutment	2	0.050	9630642545	9630642545
			0.075	9630642547	9630642547
			0.100	9630642550	9630642550
30	Nut, bearing	2	5340.056	9630056684	
31	Bearing, front	2	5080.031	9630862088	
36	Timing gear	2	9630640301	9630640301	
38	Torque locking assembly	2	9630640801	9630640801	
45	Drain plug	2	1660.002	9630023544	
49	Blanking plug	4	5470.029	9630861226	
50	Gland guard	2	42	9630642301	9630642301
			43	9630642302	9630642302
51	Screw, gland guard	4	5950.093	9630865138	
53	Washer, gland guard	4	6400.127	9630864986	
			31499.5962.2	9630038040	
54	Foot	2	9630638301	9630638301	
58	Screw, Foot	4	5990.034	9630024635	
	Blanking plug	4	5470.022	9630089950	
	Blanking plug	2	5470.027	9630861224	

# OptiLobe - Exploded View Drawing



**Cover / Spline Sealing Kits - All Pump Models**

Each kit comprises of Rotorcase Cover 'O' Ring and Rotor 'O' Rings for one pump.

'O' Rings	22 / 23	
	Part No.	Article No.
EPDM	KL2CU	9630864748
FPM	KL2DU	9630864749
'O' Rings	32 / 33	
	Part No.	Article No.
EPDM	KL3CU	9630864750
FPM	KL3DU	9630864751
'O' Rings	42 / 43	
	Part No.	Article No.
EPDM	KL4CU	9630864752
FPM	KL4DU	9630864753

**Service Kits - All Pump Models**

Each kit comprises of 2 off Mechanical Seal kits and 1 off Cover/Spline Sealing kit.

Rotary Seal / Stationary Seal Ring	'O' Rings	22 / 23	
		Part No.	Article No.
Carbon / Stainless Steel	EPDM	KL2CU-Q06	9630864754
	FPM	KL2DU-Q02	9630864755
Carbon / Silicon Carbide	EPDM	KL2CU-Q26	9630864758
	FPM	KL2DU-Q22	9630864759
Silicon Carbide / Silicon Carbide	EPDM	KL2CU-Q16	9630864756
	FPM	KL2DU-Q12	9630864757
Rotary Seal / Stationary Seal Ring	'O' Rings	32 / 33	
		Part No.	Article No.
Carbon / Stainless Steel	EPDM	KL3CU-Q06	9630864760
	FPM	KL3DU-Q02	9630864761
Carbon / Silicon Carbide	EPDM	KL3CU-Q26	9630864764
	FPM	KL3DU-Q22	9630864765
Silicon Carbide / Silicon Carbide	EPDM	KL3CU-Q16	9630864762
	FPM	KL3DU-Q12	9630864763
Rotary Seal / Stationary Seal Ring	'O' Rings	42 / 43	
		Part No.	Article No.
Carbon / Stainless Steel	EPDM	KL4CU-Q06	9630864766
	FPM	KL4DU-Q02	9630864767
Carbon / Silicon Carbide	EPDM	KL4CU-Q26	9630864770
	FPM	KL4DU-Q22	9630864771
Silicon Carbide / Silicon Carbide	EPDM	KL4CU-Q16	9630864768
	FPM	KL4DU-Q12	9630864769