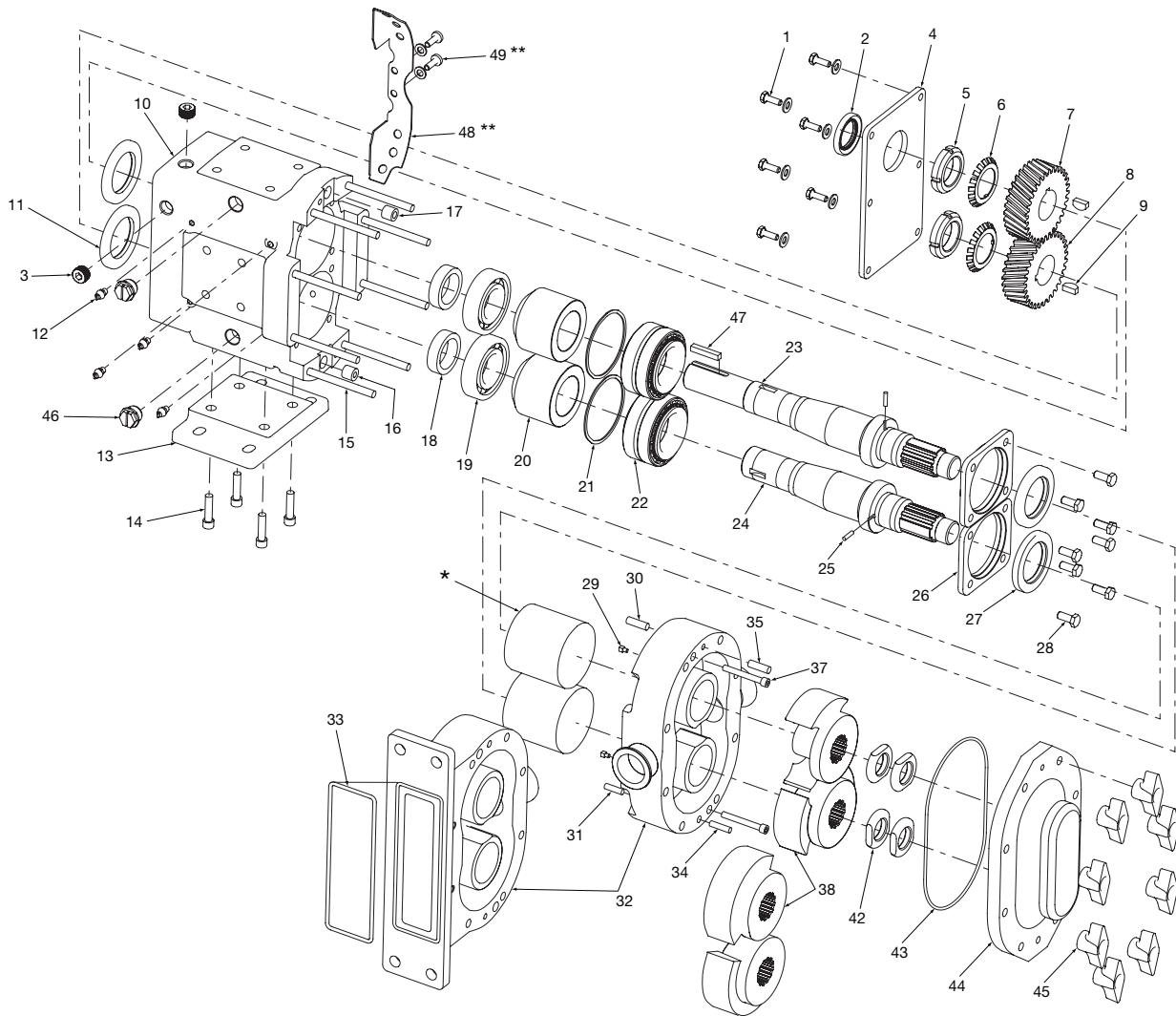


The information herein is correct at the time of issue but may be subject to change without prior notice

1. SCPP1-006, 015, 018, 024	4
2. SCPP 1/030/034	8
3. SCPP 1/045/060/064/130/134	12
4. SCPP 1/220/224	16
5. SCPP 1/320	20
6. SCPP 1/006/015/018/024 - Sealing	22
7. SCPP 1/030/034 - Sealing	24
8. SCPP 1/045/060/064/130/134 - Sealing	26
9. SCPP 1/220/224 - Sealing	28
10. SCPP 1/320 - Sealing	30

* See seal repair parts

** Required for European CE compliance only.
(not mandatory for USA market)

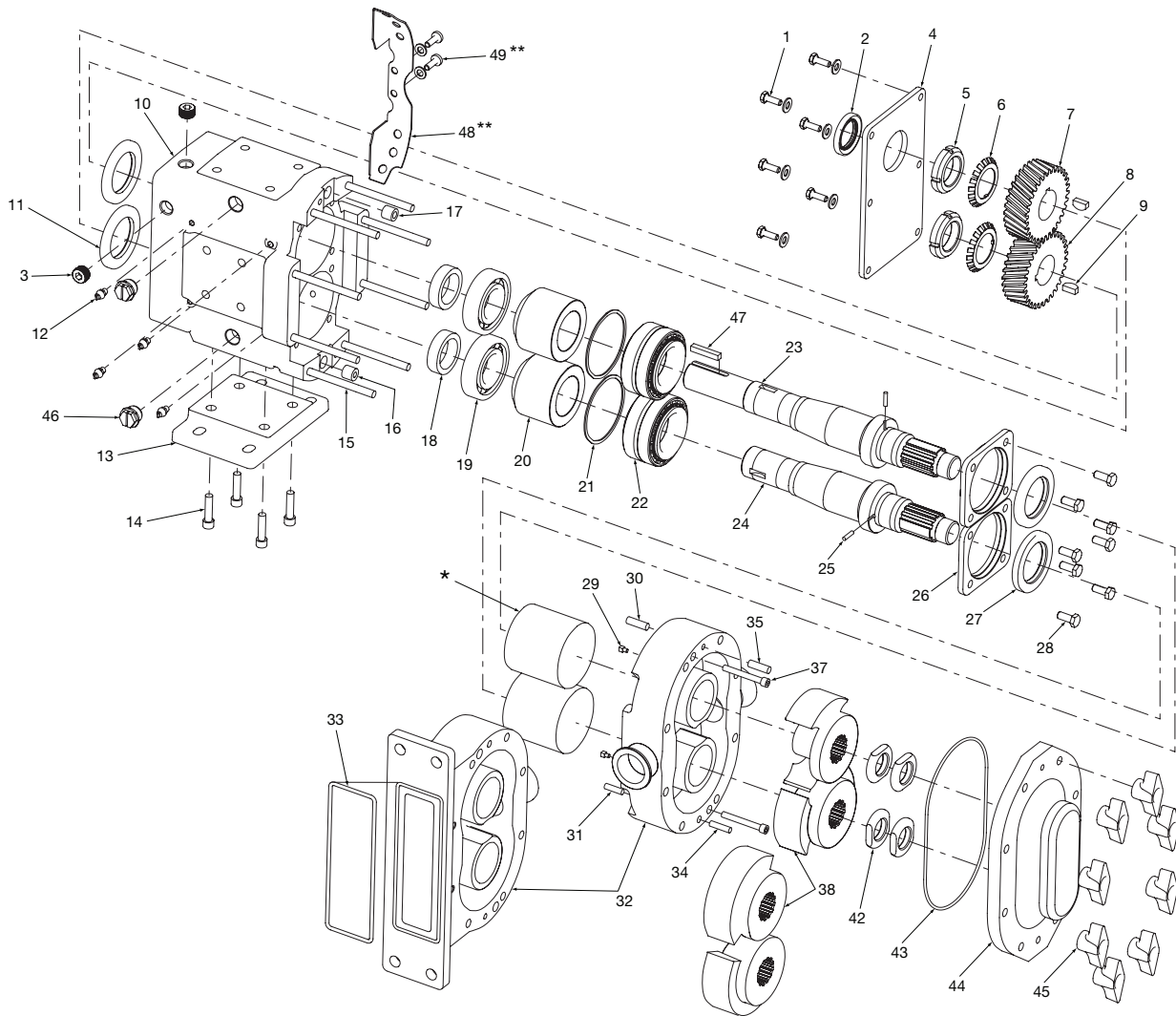


TD249-091

Pos	Qty	Denomination	Reference Part	
			No.	Item Number
1	6	Capscrew, Gear Case Cover, SS		9639-0011-01
1a	6	Washer GC Cover Capscrew, SS		9639-0011-02
2	1	Oil Seal - Gear Case Cover	000030016	9639-0021-01
3	4	Oil Level, Drain Plug, SS		9639-0031-01
4	1	Gear Case Cover, Steel (includes installed seal)	020106000	9639-0041-01
5	2	Lock Nut - Gear	STD236005	9639-0051-01
6	2	Lock Washer - Gear	STD136005	9639-0061-01
7	1	Gear Drive Shaft	015007001	9639-0071-01
8	1	Gear Short Shaft	015007002	9639-0081-01
9	2	Key, Gear	015037000	9639-0091-01
10	1	Gear Case, CI	102276	9639-0101-01
	1	Gear Case, SS	101831	9639-0101-02
	1	Gear Case, CI (previous version)	020005000	9639-1101-03
11	2	Oil Seal Rear	000030017	9639-0111-01
12	8	Grease Fitting 1/8	BD0092000	9639-0121-01
	8	Grease Fitting 1/8, SS		9639-0121-02
13	1	Mounting Shim (Gear Case Base), CI	020110000	9639-0131-01
	1	Mounting Shim (Gear Case Base), SS	102284	9639-0131-02
14	4	Socket Head Capscrew, Mounting Shim, SS		9639-0141-01
15	8	Stud, 006-015	AD0011000	9639-0151-01
	8	Stud Jacketed Cover, 006-015	AD0011J00	9639-0151-03
	8	Stud, 018	018011000	9639-0151-02
	8	Stud Jacketed Cover, 018	AD0011100	9639-0151-04
	6	Stud, 024	018011000	9639-0151-02
	2	Short Stud, Std Cover, 024	35547	9639-0151-05
	6	Stud Jacketed Cover, 024	AD0011100	9639-0151-04
	2	Stud, Jacketed Cover, 024	35548	9639-0151-06
16	1	Dowel Bushing, Lower	AD0116100	9639-0161-01
17	1	Dowel Bushing, Upper	AD0116000	9639-0171-01
18	2	Spacer Gear to Rear Bearing	015055000	9639-0181-01
19	2	Rear Bearing	015035000	9639-0191-01
20	2	Spacer Bearing	101814	9639-0201-01
	2	Spacer Bearing (previous version)	015055001	9639-1201-02
21	2	Shim Kit N/S	117889	9639-0211-01
	2	Shim Kit (previous version)		9639-1211-02
22	2	Front Bearing	101714	9639-0221-01
	2	Front Bearing (previous version)	015036000	9639-1221-02
23	1	Drive Shaft (316L SS), 006-015	114642	9639-1231-01
	1	Drive Shaft (316L SS), 006-015 (previous version)	015008000	9639-1231-03
	1	Drive Shaft (316L SS), 018	114644	9639-1231-02
	1	Drive Shaft (316L SS), 018 (previous version)	018008000	9639-1231-04
24	1	Auxillary Shaft (316L SS), 006-015	114643	9639-1241-01
	1	Auxillary Shaft (316L SS), 006-015 (previous version)	015009000	9639-1241-03
	1	Auxillary Shaft (316L SS), 018	114645	9639-1241-02
	1	Auxillary Shaft (316L SS), 018 (previous version)	018009000	9639-1241-04
25	2	Drive Pin	CD0126000	9639-1251-01
26	2	Bearing Retainer Front	120332	9639-0261-01
	2	Bearing Retainer Front (previous version 1)	015080000	9639-0261-02
	2	Bearing Retainer Front (previous version 2)	101810	9639-0261-03
27	2	Grease Seal Front Brg Ret	121679	9639-0271-01
	2	Grease Seal Front Brg Ret (previous version 1)	000030018	9639-0271-02
	2	Grease Seal Front Brg Ret (previous version 2)	101716	9639-0271-03
28	8	Button Head Cap Screw, Bearing Retainer, SS		9639-0281-01
29	2	Stop Pin Seal	015126000	9639-1291-01
30	1	Dowel Pin, Upper Gear Case Side	AD0040R00	9639-0301-01
31	1	Dowel Pin, Lower Gear Case Side	AD0040R10	9639-0311-01
32	1	Rotorcase, 006 - 1" Triclamp		9639-1321-01
	1	Rotorcase, 006 - 1.1/2" Triclamp		9639-1321-02
	1	Rotorcase, 015 - 1.1/2" Triclamp		9639-1321-03
	1	Rotorcase, 015 - 2" Triclamp		9639-1321-04
	1	Rotorcase, 018 - 1.1/2" Triclamp		9639-1321-05
	1	Rotorcase, 018 - 2" Triclamp		9639-1321-06
	1	Rotorcase, 024 - Rect / 2" Triclamp		9639-1321-08
	1	Rotorcase for Flush, 006 - 1" Triclamp		9639-1321-11
	1	Rotorcase for Flush, 006 - 1.1/2" Triclamp		9639-1321-12
	1	Rotorcase for Flush, 015 - 1.1/2" Triclamp		9639-1321-13
	1	Rotorcase for Flush, 015 - 2" Triclamp		9639-1321-14
	1	Rotorcase for Flush, 018 - 1.1/2" Triclamp		9639-1321-15
	1	Rotorcase for Flush, 018 - 2" Triclamp		9639-1321-16
	1	Rotorcase for Flush, 024 - Rect / 2" Triclamp		9639-1321-18
33	1	Rectangular Flange O Ring, 024 - NBR	N70245	9639-0331-01
34	1	Dowel (lower cover)	AD0040100	9639-0341-01
35	1	Dowel (upper cover)	AD0040000	9639-0351-01
37	2	Rotorcase Retaining Screw, 006-015	30-523	9639-0371-01
	2	Rotorcase Retaining Screw, 018		9639-0372-01
38	2	Rotor Twin Blade, Non-Galling Alloy, 006	006010000	9639-1381-01
	2	Rotor Twin Blade, Non-Galling Alloy, 015	015010000	9639-1381-02
	2	Rotor Twin Blade, Non-Galling Alloy, 018	018010000	9639-1381-03

* See seal repair parts

** Required for European CE compliance only.
(not mandatory for USA market)

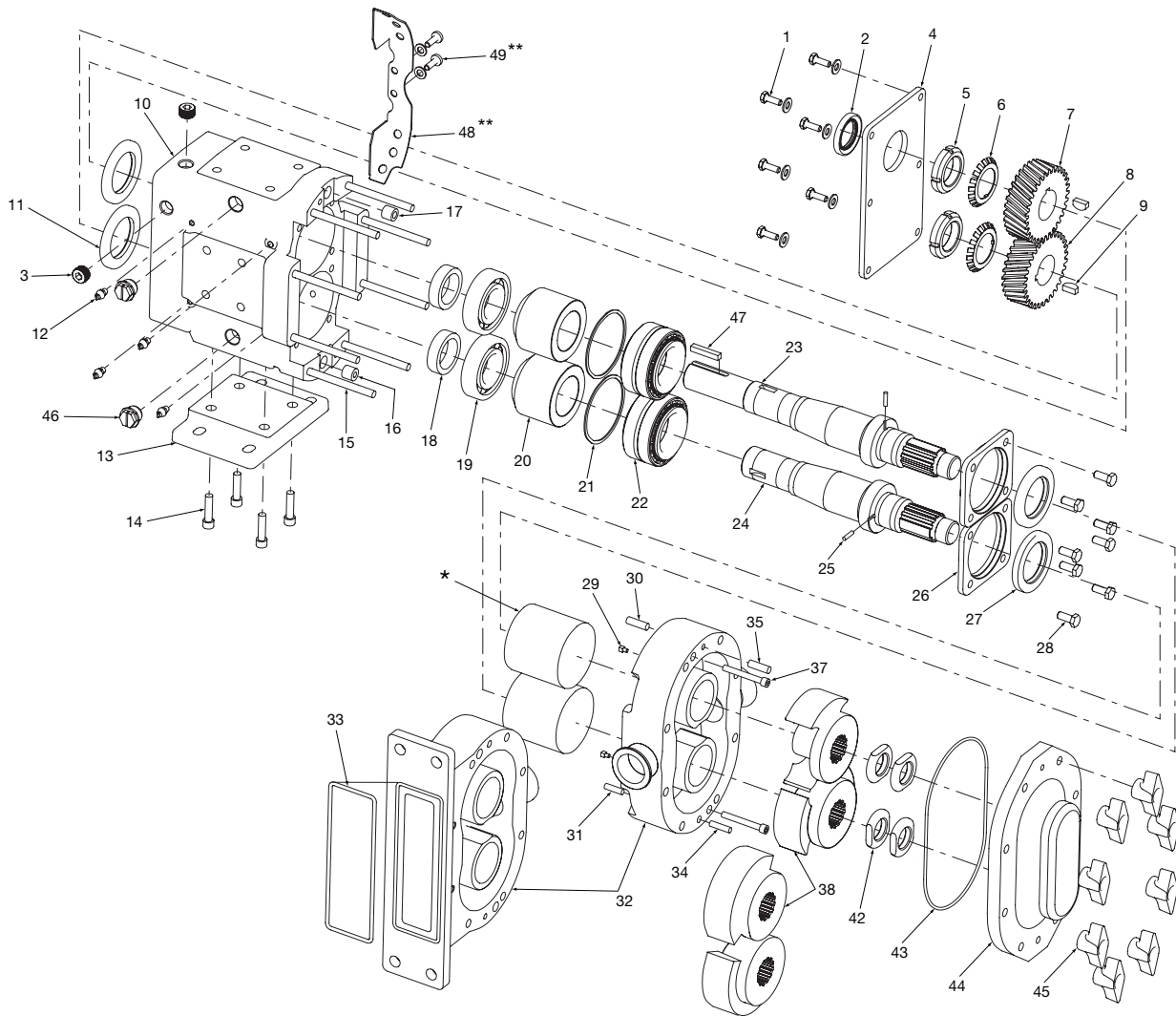


TD249-091

Pos	Qty	Denomination	Reference Part	
			No.	Item Number
42	4	Jam Nut	AD0052001	9639-1421-01
43	1	Cover O Ring - NBR	N70252	9639-1431-01
	1	Cover O Ring - EPDM	E70252	9639-1431-02
	1	Cover O Ring - FPM	V70252	9639-1431-03
	1	Cover O Ring - Silicone	S75252	9639-1431-04
44	1	Pump Cover	AD0002S00	9639-1441-01
	1	Pump Cover - Jacketed		9639-1441-02
45	8	Wing Nut	105850	9639-0451-01
	8	Hex Nut	108369	9639-0451-02
46	4	Large Cleanout Plug	9639-0461-01	
47	1	Drive Shaft Key	000037001	9639-0471-01
48	2	Seal Guards, SS		9639-0481-01
49	4	Fastener, Seal Guard		9639-0491-01
49a	4	Washer, Seal Guard		9639-0491-02
	4	O Ring Removal Tool	AD00096001	9639-0901-01
	4	Rotor Nut Wrench	109895	9639-0902-01
	4	Oil, Magna-Plate 460-FG, 1-gal	000140003	9639-0903-01
	4	Grease micro plate #2 (1 lb tube)	000140002	9639-0904-01
	4	Sealant RTV	000142301	9639-0905-01
	8	Grease Fitting Cap, Red Plastic		9639-0906-01
	12	Plastic Cap Tapped Holes, Mounting Pad	000121003	9639-0907-01
	2	Eye Bolt	30-360	9639-0908-01

* See seal repair parts

** Required for European CE compliance only.
(not mandatory for USA market)

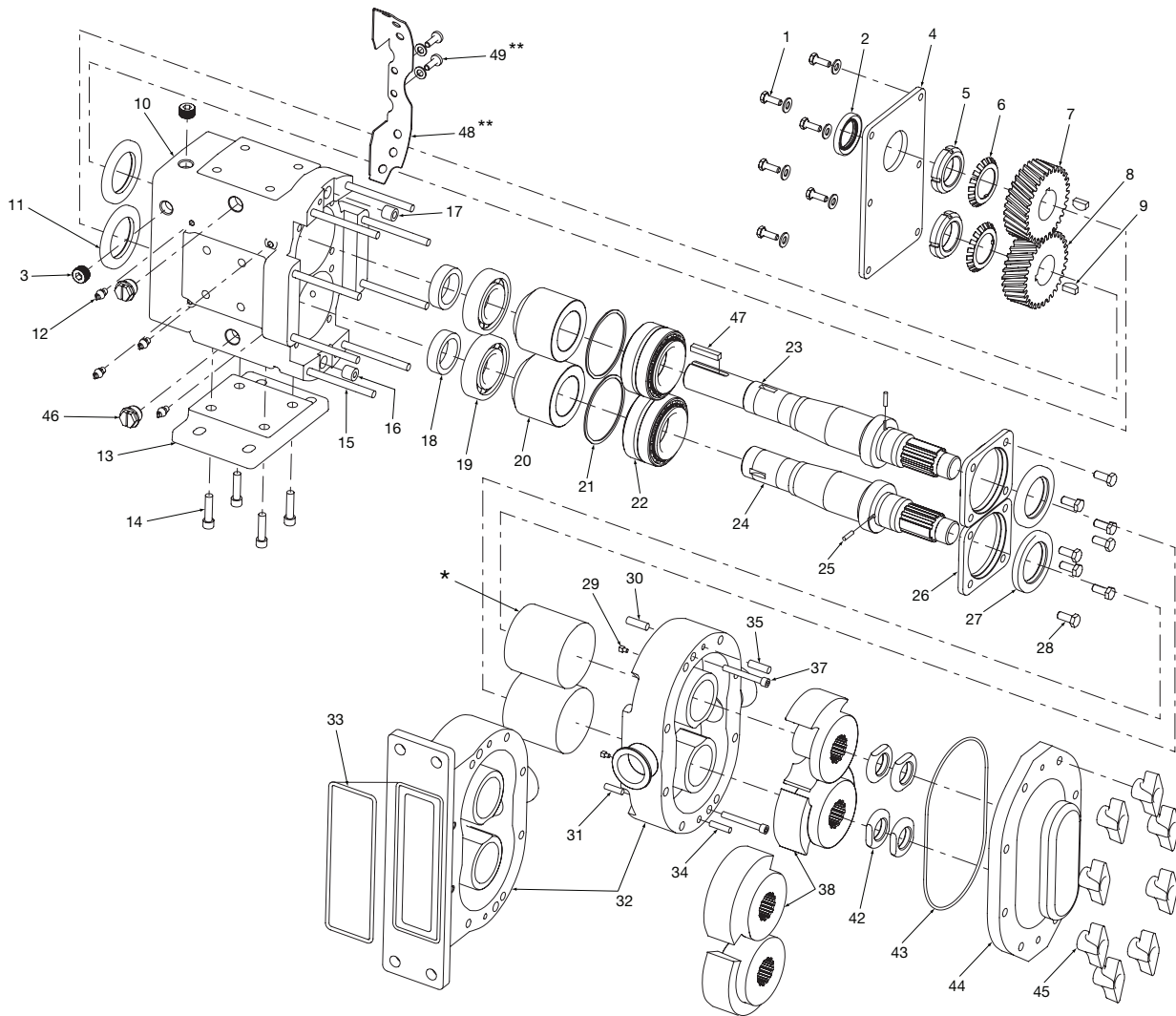


TD249-091

Pos	Qty	Denomination	Reference Part	
			No.	Item Number
1	6	Capscrew, Gear Case Cover, SS	9639-0011-01	
1a	6	Washer GC Cover Capscrew, SS	9639-0011-02	
2	1	Oil Seal - Gear Case Cover	000030013	9639-0022-01
3	4	Oil Level, Drain Plug, SS	9639-0032-01	
4	1	Gear Case Cover, Steel (includes installed seal)	040106000	9639-0042-01
	1	Gear Case Cover, SS (includes installed seal)	102281	9639-0042-02
5	2	Lock Nut - Gear	CD0036N00	9639-0052-01
6	2	Lock Washer - Gear	CD0036W00	9639-0062-01
7	1	Gear Drive Shaft	030007001	9639-0072-01
8	1	Gear Short Shaft	030007002	9639-0082-01
9	2	Key, Gear	BD0037000	9639-0092-01
10	1	Gear Case, Cl	102277	9639-0102-01
	1	Gear Case, SS	101833	9639-0102-02
	1	Gear Case, Cl (previous version)	040005000	9639-1102-03
11	2	Oil Seal Rear	000030014	9639-0112-01
12	8	Grease Fitting 1/8	BD0092000	9639-0121-01
	8	Grease Fitting 1/8, SS	9639-0121-02	
13	1	Mounting Shim (Gear Case Base), Cl	040110000	9639-0132-01
	1	Mounting Shim (Gear Case Base), SS	102285	9639-0132-02
14	4	Capscrew, Gear Case Base, SS	9639-0142-01	
15	8	Stud, 030	108842	9639-0152-01
	8	Stud Jacketed cover, 030	108845	9639-0152-03
	6	Stud, 034	108842	9639-0152-01
	2	Stud, Short, 034	35555	9639-0152-05
	6	Stud Jacketed cover, 034	108845	9639-0152-03
	2	Stud, Short, Jacketed Cover, 034	35549	9639-0152-06
16	1	Dowel Busing Lower	BD0116100	9639-0162-01
17	1	Dowel Bushing, Upper	BD0116000	9639-0172-01
18	2	Spacer Gear to Rear Bearing	030055000	9639-0182-01
19	2	Rear Bearing	030035000	9639-0192-01
20	2	Spacer Bearing	101815	9639-0202-01
	2	Spacer Bearing (previous version)	030055001	9639-1202-02
21	2	Shim Kit	-----	9639-0212-01
22	2	Front Bearing	101715	9639-0222-01
	2	Front Bearing (previous version)	030036000	9639-1222-02
23	1	Drive Shaft (17-4PH)	114646	9639-1232-01
	1	Drive Shaft (17-4PH) (previous version)	030008000	9639-1232-02
24	1	Auxillary Shaft (17-4PH)	114647	9639-1242-01
	1	Auxillary Shaft (17-4PH) (previous version)	030009000	9639-1242-02
25	2	Drive Pin	CD0126000	9639-1251-01
26	2	Bearing Retainer Front	120333	9639-0262-01
	2	Bearing Retainer Front (previous version 1)	030080000	9639-0262-02
	2	Bearing Retainer Front (previous version 2)	101811	9639-0262-03
27	2	Grease Seal Front Brg Ret	121680	9639-0272-01
	2	Grease Seal Front Brg Ret (previous version 1)	000030015	9639-0272-02
	2	Grease Seal Front Brg Ret (previous version 2)	101717	9639-0272-03
28	8	Button Head Cap Screw, Bearing Retainer, SS	30-29	9639-0282-01
29	2	Stop Pin Seal	030126000	9639-1292-01
30	1	Dowel Pin, Upper Gear Case Side	BD0040200	9639-0302-01
31	1	Dowel Pin, Lower Gear Case Side	BD0040300	9639-0312-01
32	1	Rotorcase, 030 - 1.1/2" Triclamp	9639-1322-01	
	1	Rotorcase, 030 - 2" Triclamp	9639-1322-02	
	1	Rotorcase, 034 - Rect / 2" Triclamp	9639-1322-04	
	1	Rotorcase for Flush, 030 - 1.1/2" Triclamp	9639-1322-11	
	1	Rotorcase for Flush, 030 - 2" Triclamp	9639-1322-12	
	1	Rotorcase for Flush, 034 - Rect / 2" Triclamp	9639-1322-14	
33	1	Rectangular Flange O Ring, 034 - NBR	N70357	9639-0332-01
34	1	Dowel Pin, Lower Cover Side	BD0040100	9639-0342-01
35	1	Dowel Pin, Upper Cover Side	BD0040000	9639-0352-01
37	2	Rotorcase Retaining Screw, 030	9639-0372-01	
38	2	Rotor Twin Blade, Non-Galling Alloy, 030	030010000	9639-1382-01
	2	Single Blade Rotor, Non-Galling Alloy, Straight 030	117291	9639-1382-49
	2	Single Blade Rotor, Non-Galling Alloy, 90° 030	117291	9639-1382-55

* See seal repair parts

** Required for European CE compliance only.
(not mandatory for USA market)

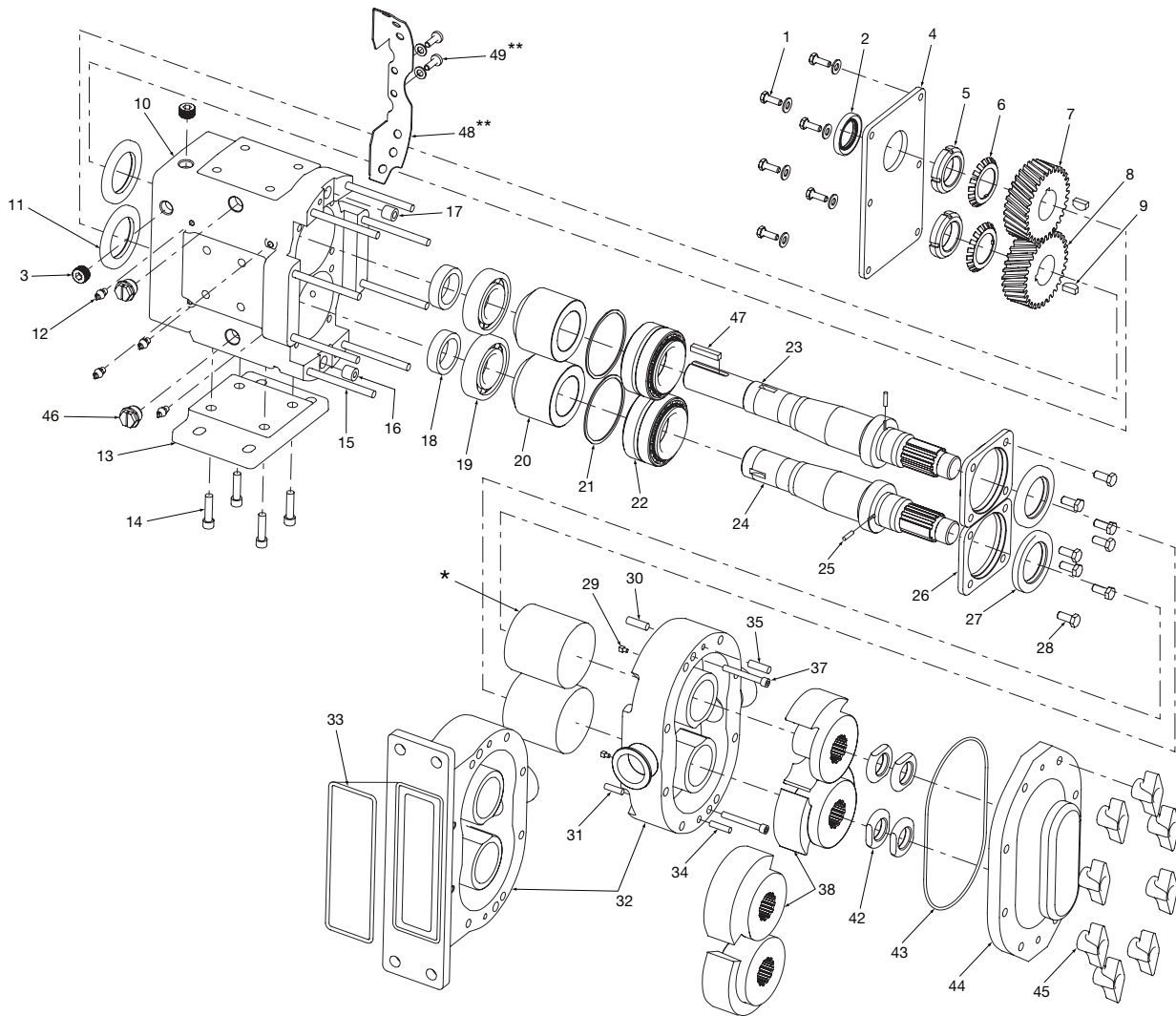


TD249-091

Pos	Qty	Denomination	Reference Part	
			No.	Item Number
42	4	Jam Nut	BD0052001	9639-1422-01
43	1	Cover O Ring - NBR	N70261	9639-1432-01
	1	Cover O Ring - EPDM	E70261	9639-1432-02
	1	Cover O Ring - FPM	V70261	9639-1432-03
	1	Cover O Ring - Silicone	S75261	9639-1432-04
44	1	Pump Cover	BD0002S00	9639-1442-01
	1	Pump Cover - Jacketed	BD0002J10	9639-1442-02
45	8	Wing Nut	105851	9639-0452-01
	8	Hex Nut	108370	9639-0452-02
46	4	Large Cleanout Plug	9639-0462-01	
47	1	Drive Shaft Key, 1/4 X 1/4 X 1 3/4	000037002	9639-0472-01
48	2	Seal Guards, SS	9639-0482-01	
49	4	Fastner, Seal Guard	9639-0491-01	
49a	4	Washer, Seal Guard	9639-0491-02	
	4	O Ring Removal Tool	AD0096001	9639-0901-01
	4	Rotor Nut Wrench	109896	9639-0902-02
	4	Oil, Magna-Plate 460-FG, 1-gal	000140003	9639-0903-01
	4	Grease micro plate #2 (1 lb tube)	000140002	9639-0904-01
	4	Sealant RTV	000142301	9639-0905-01
	8	Grease Fitting Cap, Red Plastic	9639-0906-01	
	12	Plastic Cap Tapped Holes, Mounting Pad	000121002	9639-0907-02
	2	Eye Bolt	30-360	9639-0908-01

* See seal repair parts

** Required for European CE compliance only.
(not mandatory for USA market)

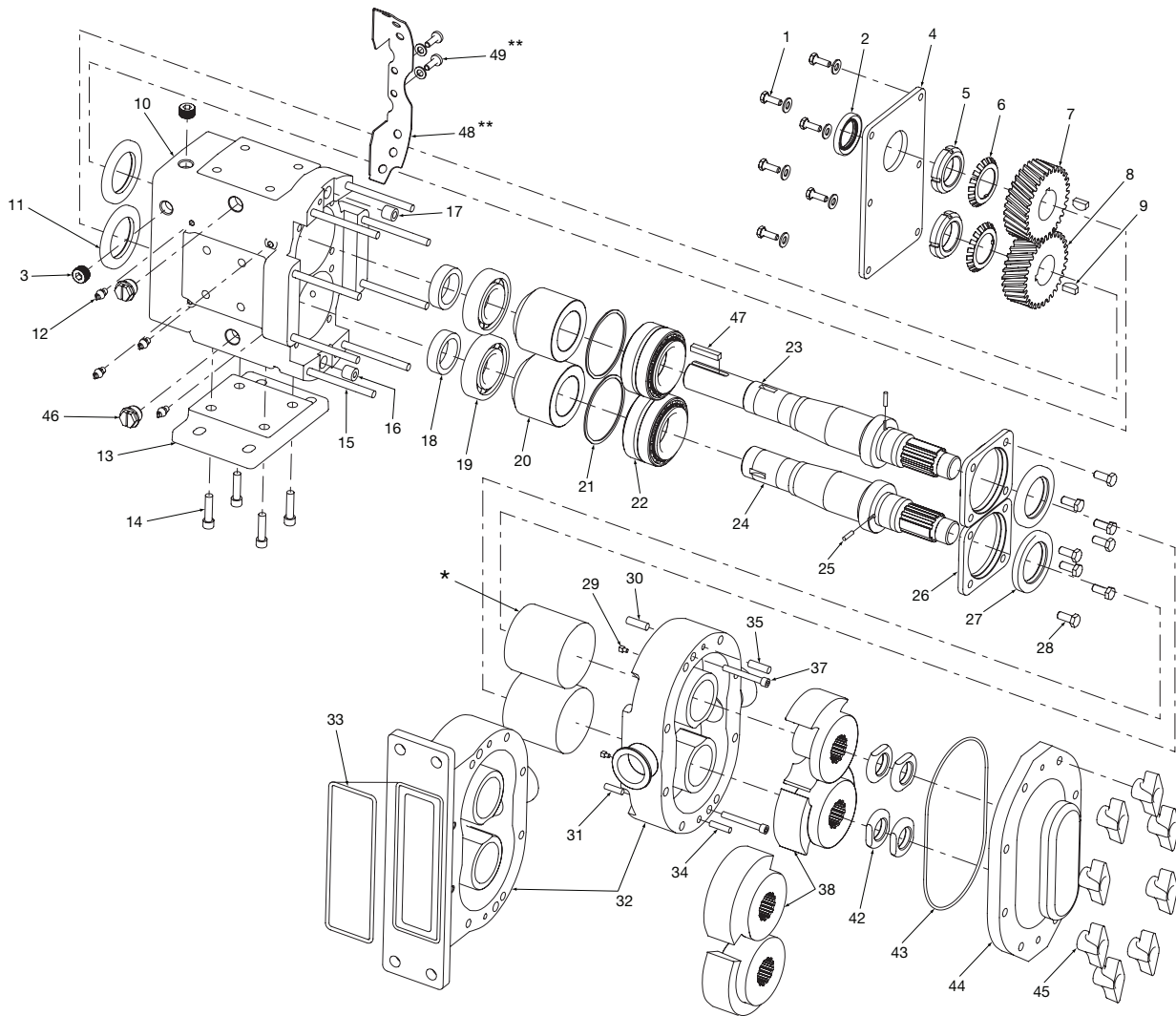


TD249-091

Pos	Qty	Denomination	Reference Part	
			No.	Item Number
1	6	Capscrew, Gear Case Cover, SS	30-50	9639-0013-01
1a	6	Washer GC Cover Capscrew, SS		9639-0013-02
2	1	Oil Seal - Gear Case Cover	000030012	9639-0023-01
3	4	Oil Level, Drain Plug, SS	9639-0032-01	
4	1	Gear Case Cover, Steel (includes installed seal)	070106000	9639-0043-01
	1	Gear Case Cover, SS (includes installed seal)	102282	9639-0043-02
5	2	Lock Nut - Gear	STD236009	9639-0053-01
6	2	Lock Washer - Gear	STD136009	9639-0063-01
7	1	Gear Drive Shaft	060007001	9639-0073-01
8	1	Gear Short Shaft	060007002	9639-0083-01
9	2	Key, Gear	060037000	9639-0093-01
10	1	Gear Case, Cl	070005000	9639-0103-01
	1	Gear Case, SS	101834	9639-0103-02
11	2	Oil Seal Rear	000030011	9639-0113-01
12	8	Grease Fitting 1/8	BD0092000	9639-0121-01
	8	Grease Fitting 1/8, SS		9639-0121-02
13	1	Mounting Shim (Gear Case Base), Cl	070110000	9639-0133-01
	1	Mounting Shim (Gear Case Base), SS	102286	9639-0133-02
14	4	Socket Head Capscrew, Mounting Shim, SS		9639-0143-01
15	8	Stud, 045-060	108843	9639-0153-01
	6	Stud, 064	108843	9639-0153-01
	2	Stud, Short, 064	OC1050000	9639-0153-05
	8	Stud Jacketed Cover, 045-060	108846	9639-0153-03
	6	Stud Jacketed Cover, 064	108846	9639-0153-03
	2	Stud, Short, Jacketed, 064	35556	9639-0153-07
	8	Stud, 130	130011000	9639-0153-02
	6	Stud, 134	130011000	9639-0153-02
	2	Stud, Short, 134	OC1050000	9639-0153-05
	8	Stud Jacketed Cover, 130	130011001	9639-0153-04
	6	Stud Jacketed Cover, 134	130011001	9639-0153-04
	2	Stud, Short, Jacketed, 134	35556	9639-0153-07
16	1	Dowel Bushing, Lower	CD0116100	9639-0163-01
17	1	Dowel (lower cover)	CD0116000	9639-0173-01
18	2	Spacer Gear to Rear Bearing	107187	9639-0183-01
19	2	Rear Bearing	107186	9639-0193-01
20	2	Spacer Bearing	060055003	9639-0203-01
21	2	Shim Kit	117891	9639-0213-01
22	2	Front Bearing	060036000	9639-0223-01
23	1	Drive Shaft (17-4PH), 045-060	060008001	9639-1233-01
	1	Drive Shaft (17-4PH), 130	130008001	9639-1233-02
24	1	Auxillary Shaft (17-4PH), 045-060	060009001	9639-1243-01
	1	Auxillary Shaft (17-4PH), 130	130009001	9639-1243-02
25	2	Drive Pin	CD0126000	9639-1251-01
26	2	Bearing Retainer Front	121828	9639-0263-01
	2	Bearing Retainer Front (previous version)	101812	9639-0263-02
27	2	Grease Seal Front Brg Ret	000030009	9639-1273-02
28	8	Button Head Cap Screw, Bearing Retainer, SS	30-60	9639-0283-01
29	2	Stop Pin Seal	223126000	9639-1293-01
30	1	Dowel Pin, Upper Gear Case	CD0040R00	9639-0303-01
31	1	Dowel Pin, Lower Gear Case Side	CD0040R10	9639-0313-01
32	1	Rotorcase, 045 - 2" Triclamp		9639-1323-01
	1	Rotorcase, 045 - 2.1/2" Triclamp		9639-1323-02
	1	Rotorcase, 060 - 2.1/2" Triclamp		9639-1323-03
	1	Rotorcase, 060 - 3" Triclamp		9639-1323-04
	1	Rotorcase, 064 - Rect / 2.1/2" Triclamp		9639-1323-05
	1	Rotorcase, 064 - Rect / 3" Triclamp		9639-1323-06
	1	Rotorcase, 130 - 3" Triclamp		9639-1323-07
	1	Rotorcase, 130 - 4" Triclamp		9639-1323-08
	1	Rotorcase, 134 - Rect / 3" Triclamp		9639-1323-09
	1	Rotorcase for Flush, 060 - 2.1/2" Triclamp		9639-1323-13
	1	Rotorcase for Flush, 060 - 3" Triclamp		9639-1323-14
	1	Rotorcase for Flush, 130 - 3" Triclamp		9639-1323-17
33	1	Rectangular Flange O Ring, 064 - NBR	N70366	9639-0333-01
	1	Rectangular Flange O Ring, 134 - NBR	N70369	9639-0333-11
34	1	Dowel Pin, Lower Cover Side	CD0040100	9639-0343-01
35	1	Dowel Pin, Upper Cover Side	CD0040000	9639-0353-01
37	2	Rotorcase Retaining Screw, 045		9639-0373-01
	2	Rotorcase Retaining Screw, 060		9639-0373-02
	2	Rotorcase Retaining Screw, 130		9639-0373-03
38	2	Rotor Twin Blade, Non-Galling Alloy, 045		9639-1383-01
	2	Rotor Twin Blade, Non-Galling Alloy, 060	060010000	9639-1383-02
	2	Rotor Twin Blade, Non-Galling Alloy, 130	130010000	9639-1383-03
	2	Single Blade Rotor, Non-Galling Alloy, Straight 060	117343	9639-1383-49
	2	Single Blade Rotor, Non-Galling Alloy, Straight 130	117360	9639-1383-50
	2	Single Blade Rotor, Non-Galling Alloy, 90° 060	117343	9639-1383-55
	2	Single Blade Rotor, Non-Galling Alloy, 90° 130	117360	9639-1383-56

* See seal repair parts

** Required for European CE compliance only.
(not mandatory for USA market)

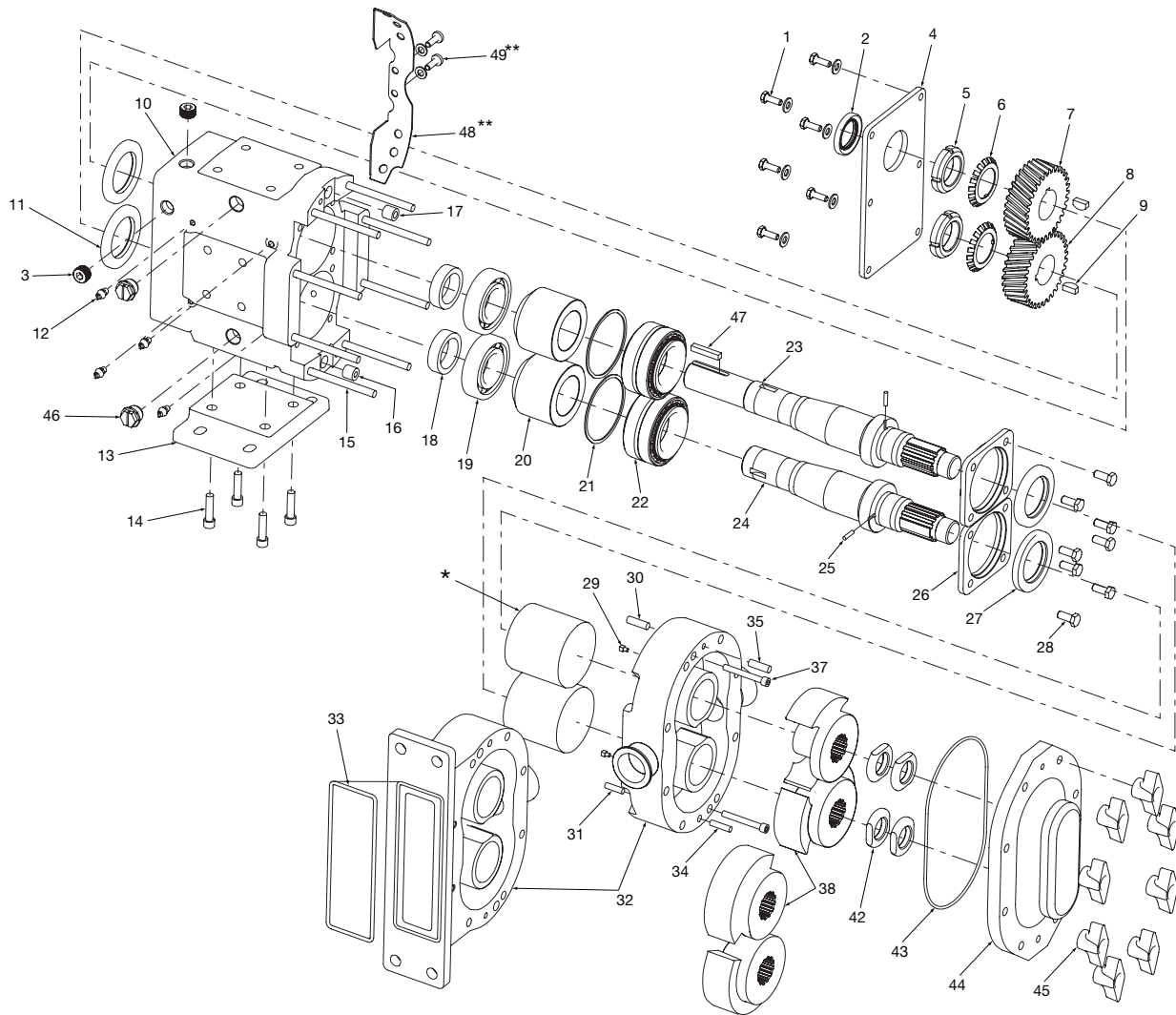


TD249-091

Pos	Qty	Denomination	Reference Part	
			No.	Item Number
42	4	Jam Nut	060052001	9639-1423-01
43	1	Cover O Ring - NBR	N70272	9639-1433-01
	1	Cover O Ring - EPDM	E70272	9639-1433-02
	1	Cover O Ring - FPM	V70272	9639-1433-03
	1	Cover O Ring - Silicone	S75272	9639-1433-04
44	1	Pump Cover	ROTOR	9639-1443-01
			TWIN BLADE	
			ALLOY 808	
			CHOCOLATE	
			SPECIAL	
	1	Pump Cover - Jacketed	CD0002J10	9639-1443-02
45	8	Wing Nut	105852	9639-0453-01
	8	Hex Nut	108371	9639-0453-02
46	4	Large Cleanout Plug		9639-0463-01
47	1	Drive Shaft Key, 3/8 X 3/8 X 1 5/8	000037003	9639-0473-01
48	2	Seal Guards, SS		9639-0483-01
49	4	Fastner, Seal Guard		9639-0491-01
49a	4	Washer, Seal Guard		9639-0491-02
	4	O Ring Removal Tool	AD0096001	9639-0901-01
	4	Rotor Nut Wrench	109897	9639-0902-03
	4	Oil, Magna-Plate 460-FG, 1-gal	000140003	9639-0903-01
	4	Grease micro plate #2 (1 lb tube)	000140002	9639-0904-01
	4	Sealant RTV	000142301	9639-0905-01
	8	Grease Fitting Cap, Red Plastic		9639-0906-01
	12	Plastic Cap Tapped Holes, Mounting Pad	000121001	9639-0907-03
	2	Eye Bolt	30-360	9639-0908-01

* See seal repair parts

** Required for European CE compliance only.
(not mandatory for USA market)

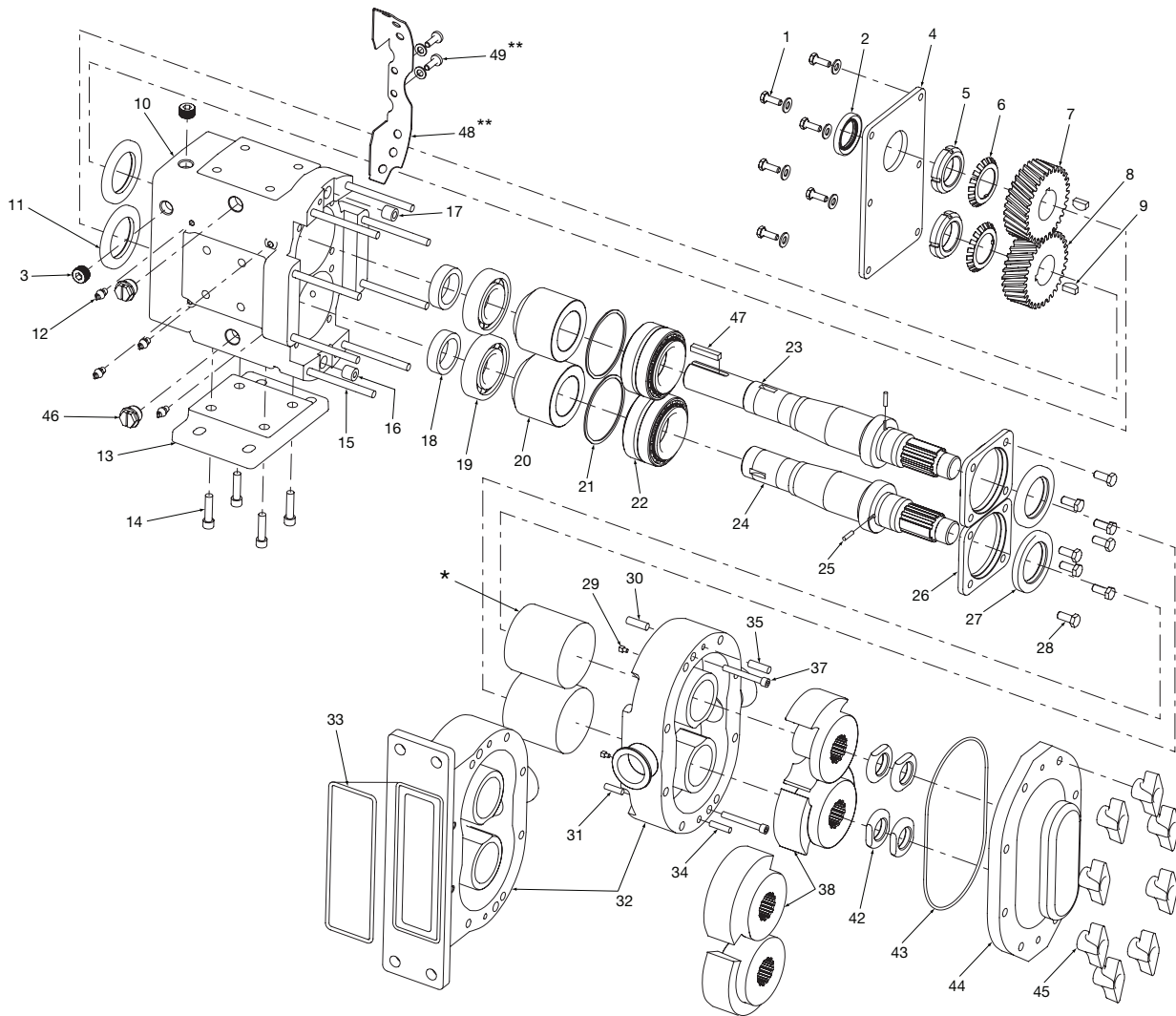


TD249-091

Pos	Qty	Denomination	Reference Part	
			No.	Item Number
1	6	Capscrew, Gear Case Cover, SS	30-50	9639-0013-01
1a	6	Washer GC Cover Capscrew, SS		9639-0013-02
2	1	Oil Seal - Gear Case Cover	STD030006	9639-0024-01
3	4	Oil Level, Drain Plug		9639-0033-01
4	1	Gear Case Cover, Steel (includes installed seal)	230106000	9639-0044-01
5	2	Lock Nut - Gear	STD236011	9639-0054-01
6	2	Lock Washer - Gear	STD136011	9639-0064-01
7	1	Gear Drive Shaft	110932	9639-0074-01
8	1	Gear Short Shaft	110932	9639-0084-01
9	2	Key, Gear	200037000	9639-0094-01
10	1	Gear Case, Cl	230005000	9639-0104-01
11	2	Oil Seal Rear	STD119002	9639-0114-01
12	8	Grease Fitting 1/8	BD0092000	9639-0121-01
13	1	Mounting Shim (Gear Case Base), Cl	230110000	9639-0134-01
14	4	Socket Head Capscrew, GC Base		9639-0144-01
15	8	Stud, 220	108844	9639-0154-01
	6	Stud, 224	108844	9639-0154-01
	2	Stud, Short, 224	35550	9639-0154-05
16	1	Dowel Bushing, Lower	CD0116100	9639-0163-01
17	1	Dowel (lower cover)	CD0116000	9639-0173-01
18	2	Spacer Gear to Rear Bearing	40878	9639-0184-01
19	2	Rear Bearing	200035000	9639-0194-01
20	2	Spacer Bearing	40752	9639-0204-01
21	2	Shim Kit		9639-0214-01
22	2	Front Bearing	200036000	9639-0224-01
23	1	Drive Shaft (17-4PH), 220	220008001	9639-1234-01
24	1	Auxillary Shaft (17-4PH), 220	220009001	9639-1244-01
25	2	Drive Pin	CD0126000	9639-1251-01
26	2	Bearing Retainer Front	121829	9639-0264-01
	2	Bearing Retainer Front (previous version)	101813	9639-0264-02
27	2	Grease Seal Front Brg Ret	121681	9639-0274-01
28	8	Button Head Cap Screw, Bearing Retainer, SS	30-60	9639-0283-01
29	2	Stop Pin Seal	223126000	9639-1293-01
30	1	Dowel Pin, Upper Gear Case	CD0040R00	9639-0303-01
31	1	Dowel Pin, Lower Gear Case Side	CD0040R10	9639-0313-01
32	1	Rotorcase, 220 - 4" Triclamp		9639-1324-01
	1	Rotorcase, 224 - Rect / 4" Triclamp		9639-1324-02
33	1	Rectangular Flange O Ring, 224 - NBR	N70376	9639-0334-01
34	1	Dowel Pin, Lower Cover Side	GD0040100	9639-0344-01
35	1	Dowel Pin, Upper Cover Side	GD0040000	9639-0354-01
37	2	Rotorcase Retaining Screw, 220	30-499	9639-0374-02
38	2	Rotor Twin Blade, Non-Galling Alloy, 220	220010000	9639-1384-01
	2	Single Blade Rotor, Non-Galling Alloy, Straight 220	117391	9639-1384-49
	2	Single Blade Rotor, Non-Galling Alloy, 90° 220	117391	9639-1384-55

* See seal repair parts

** Required for European CE compliance only.
(not mandatory for USA market)

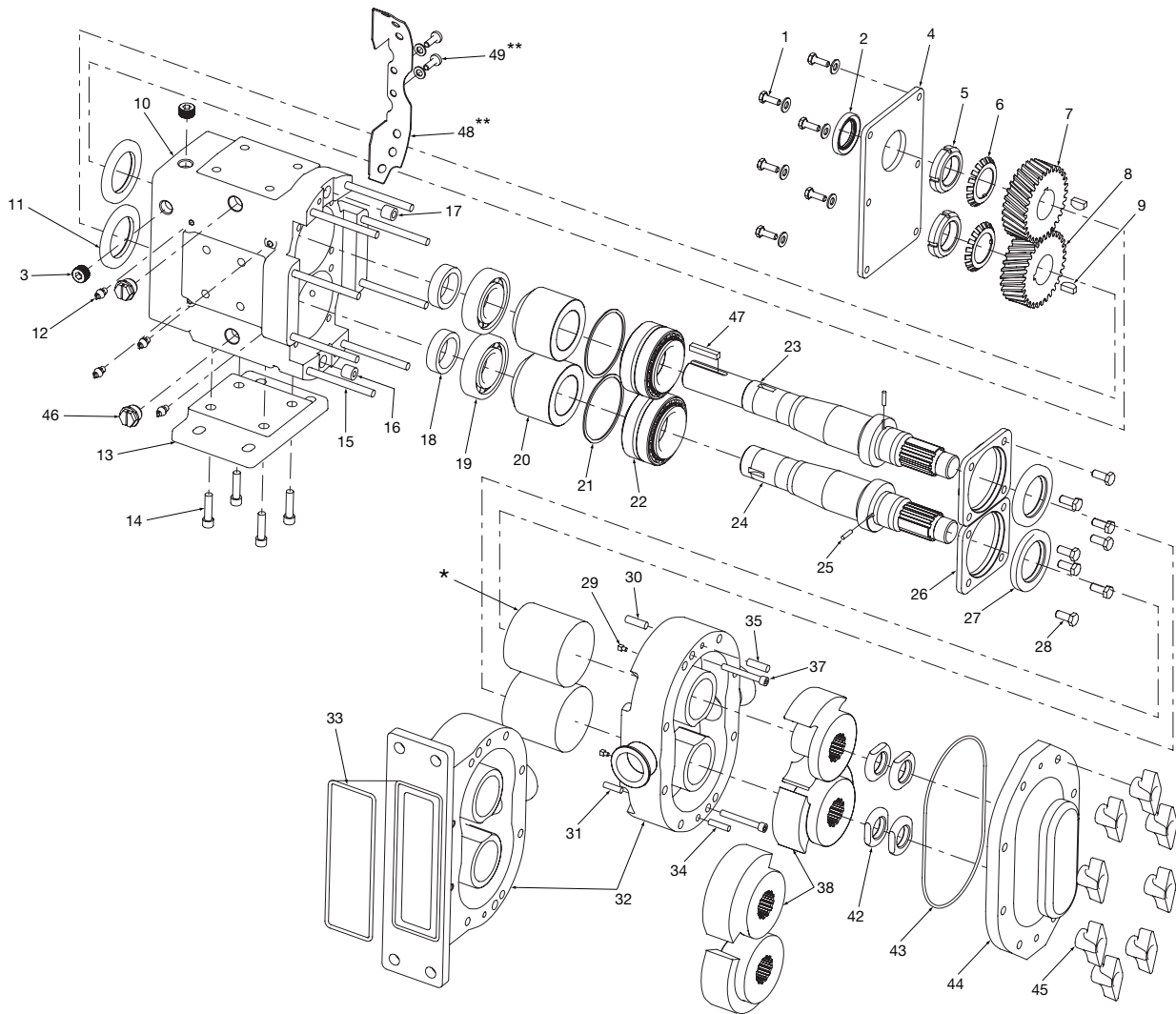


TD249-091

Pos	Qty	Denomination	Reference Part	
			No.	Item Number
42	4	Jam Nut	GD0052001	9639-1424-01
43	1	Cover O Ring - NBR	GD0117000	9639-1434-01
	1	Cover O Ring - EPDM	GD0117002	9639-1434-02
	1	Cover O Ring - FPM	GD0117V00	9639-1434-03
	1	Cover O Ring - Silicone	GD0117SC0	9639-1434-04
44	1	Pump Cover	GD0002S00	9639-1444-01
45	8	Wing Nut	105853	9639-0454-01
	8	Hex Nut	108372	9639-0454-02
46	4	Large Cleanout Plug		9639-0463-01
47	1	Drive Shaft Key, 1/2 X 1/2 X 1 7/8	000037004	9639-0474-01
48	2	Seal Guards, SS		9639-0484-01
49	4	Fastner, Seal Guard		9639-0491-01
49a	4	Washer, Seal Guard		9639-0491-02
	4	O Ring Removal Tool	AD0096001	9639-0901-01
	4	Rotor Nut Wrench	109898	9639-0902-04
	4	Oil, Magna-Plate 460-FG, 1-gal	000140003	9639-0903-01
	4	Grease micro plate #2 (1 lb tube)	000140002	9639-0904-01
	4	Sealant RTV	000142301	9639-0905-01
	8	Grease Fitting Cap, Red Plastic		9639-0906-01
	12	Plastic Cap Tapped Holes, Mounting Pad	000121001	9639-0907-03
	2	Eye Bolt	30-360	9639-0908-01

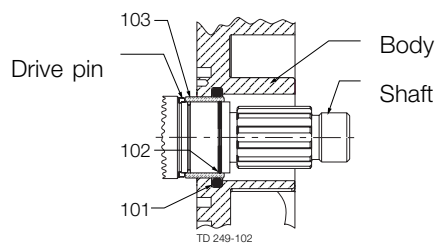
* See seal repair parts

** Required for European CE compliance only.
(not mandatory for USA market)

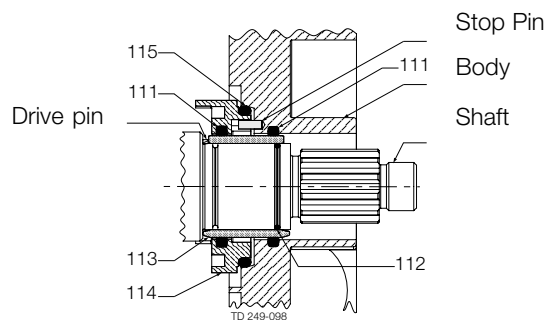


TD249-091

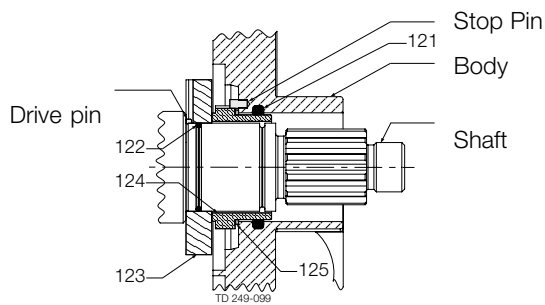
Pos	Qty	Denomination	Reference Part	
			No.	Item Number
1	6	Capscrew, Gear Case Cover, SS	30-50	9639-0013-01
1a	6	Washer GC Cover Capscrew, SS		9639-0013-02
2	1	Oil Seal - Gear Case Cover		9639-0025-01
3	4	Oil Level, Drain Plug		9639-0033-01
4	1	Gear Case Cover, Steel (includes installed seal)	40669	9639-0045-01
5	2	Lock Nut - Gear	105697	9639-0055-01
6	2	Lock Washer - Gear		9639-0065-01
7	1	Gear Drive Shaft	102470	9639-0075-01
8	1	Gear Short Shaft	102470	9639-0085-01
9	2	Key, Gear	0H1037000	9639-0095-01
10	1	Gear Case, Cl	40616	9639-0105-01
11	2	Oil Seal Rear	102475	9639-0115-01
12	8	Grease Fitting 1/8	BD0092000	9639-0121-01
13	1	Mounting Shim (Gear Case Base), Cl	40288	9639-0135-01
14	4	Socket Head Capscrew, GC Base		9639-0144-01
15	4	Stud, Cover, Long	111292	9639-0155-01
16	2	Dowel Bushing, Gearcase	0H1116000	9639-0165-01
18	2	Spacer Gear to Rear Bearing	102474	9639-0185-01
19	2	Rear Bearing	0H1036000	9639-0195-01
20	2	Spacer Bearing	102472	9639-0205-01
21	2	Shim Kit	117893	9639-0215-01
22	2	Front Bearing	0H1036003	9639-0225-01
23	1	Drive Shaft (17-4PH), 320	113518	9639-1235-01
24	1	Short Shaft (17-4PH), 320	113519	9639-1245-01
26	2	Bearing Retainer Front	123533	9639-0265-01
27	2	Grease Seal Front Brg Ret	121681	9639-0274-01
28	8	Button Head Cap Screw, Bearing Retainer, SS	30-60	9639-0283-01
29	8	3/8-16x1-1/4" SS Cap Screw, Gland	30-60	9639-1295-01
29a	8	3/8" SS Lockwasher, Gland	43-28	9639-1295-02
30	2	Seal Gland, No Flush	300034003	9639-1305-01
	2	Seal Gland, W/Flush Holes	300034001	9639-1305-02
31	2	Dowel Pin, Gear Case Side		9639-0315-01
32	1	Rotorcase, 320		
34	4	Stud, Cover, Short	111291	9639-0155-02
35	2	Dowel Pin, Cover Side		9639-2355-01
37	2	Rotorcase Retaining Screw, 320		9639-0373-03
38	2	Rotor Twin Blade, Non-Galling Alloy, 320	320010000	9639-1385-01
42	4	Jam Nut	0H1052003	9639-1425-01
43	1	Cover O Ring - NBR	N70280	9639-1435-01
	1	Cover O Ring - EPDM	E70280	9639-1435-02
	1	Cover O Ring - FPM	V70280	9639-1435-03
	1	Cover O Ring - Silicone	323117013	9639-1435-04
44	1	Pump Cover	0H1002002	9639-1445-01
45	8	Wing Nut	110858	9639-0455-01
	8	Hex Nut (optional)	108373	9639-0455-02
46	4	Large Cleanout Plug		9639-0463-01
47	1	Drive Shaft Key, 5/8 X 5/8 X 2 3/4	000037005	9639-0475-01
48	2	Seal Guards, SS	113505	9639-0485-01
49	4	Fastner, Seal Guard		9639-0491-01
49a	4	Washer, Seal Guard		9639-0491-02
	3	Eye Bolt	30-360	9639-0908-01
	8	Grease Fitting Cap, Red Plastic		9639-0906-01
	10	Plastic Cap Tapped Holes, Mounting Pad	000121001	9639-0907-03
	3	Eye Bolt	30-360	9639-0908-01
	0	O Ring Removal Tool	AD0096001	9639-0901-01
	0	Rotor Nut Wrench	112829	9639-0902-05
	0	Sealant RTV	000142301	9639-0905-01
	0	Oil, Magna-Plate 460-FG, 1-gal	000140003	9639-0903-01
	0	Grease micro plate #2 (1 lb tube)	000140002	9639-0904-01



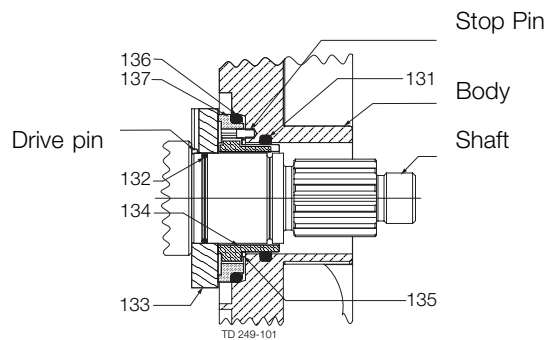
Single O-ring Seal



Double O-ring Seal

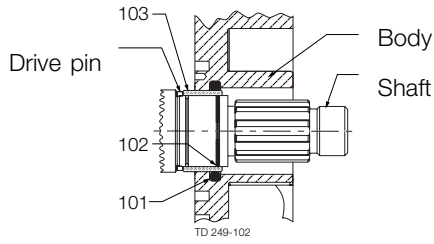


Single Mechanical Seal

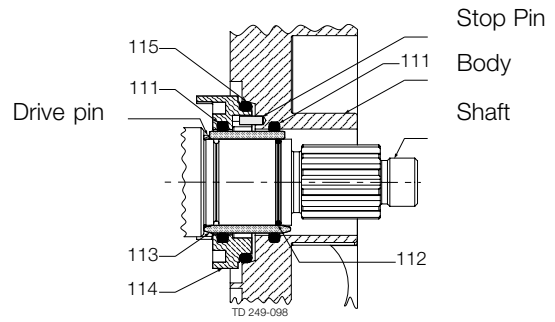


Double Mechanical Seal

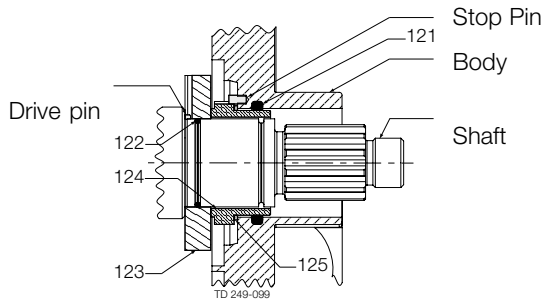
Pos	Qty	Denomination	Reference Part	
			No.	Item Number
Single O-ring Seal:				
101	2	Rotorcase O Ring - NBR	AD0079000	9639-1611-01
	2	Rotorcase O Ring - EPDM	AD0079002	9639-1611-02
	2	Rotorcase O Ring - FPM	AD0079V00	9639-1611-03
	2	Rotorcase O Ring - Silicone	AD0079SC0	9639-1611-04
102	2	Shaft O Ring - NBR	N70022	9639-1621-01
	2	Shaft O Ring - EPDM	E70022	9639-1621-02
	2	Shaft O Ring - FPM	V70022	9639-1621-03
	2	Shaft O Ring - Silicone	S75022	9639-1621-04
103	2	Sleeve SS	015098000	9639-1631-01
	2	Sleeve Zirconia	015098004	9639-1631-02
	2	Chrome Oxide Coated SS Sleeve	015098002	9639-1631-03
Double O-ring Seal:				
111	4	Rotorcase O Ring - NBR	AD0079000	9639-1611-01
	4	Rotorcase O Ring - EPDM	AD0079002	9639-1611-02
	4	Rotorcase O Ring - FPM	AD0079V00	9639-1611-03
	4	Rotorcase O Ring - Silicone	AD0079SC0	9639-1611-04
112	2	Shaft O Ring - NBR	N70022	9639-1621-01
	2	Shaft O Ring - EPDM	E70022	9639-1621-02
	2	Shaft O Ring - FPM	V70022	9639-1621-03
	2	Shaft O Ring - Silicone	S75022	9639-1621-04
113	2	Sleeve SS	015098000	9639-1631-01
	2	Sleeve Zirconia	015098004	9639-1631-02
	2	Chrome Oxide Coated SS Sleeve	015098002	9639-1631-03
114	2	O Ring Seal Carrier	015034001	9639-1641-01
	2	O Ring Seal Carrier (previous version)	015034000	9639-1641-02
115	2	Outer Seal O Ring - NBR	N50228	9639-1651-01
	2	Outer Seal O Ring - EPDM	E50228	9639-1651-02
	2	Outer Seal O Ring - FPM	V50228	9639-1651-03
Single Mechanical Seal:				
121	2	Rotorcase O Ring - NBR	AD0079000	9639-1611-01
	2	Rotorcase O Ring - EPDM	AD0079002	9639-1611-02
	2	Rotorcase O Ring - FPM	AD0079V00	9639-1611-03
	2	Rotorcase O Ring - Silicone	AD0079SC0	9639-1611-04
122	2	Shaft O Ring - NBR	N70022	9639-1621-01
	2	Shaft O Ring - EPDM	E70022	9639-1621-02
	2	Shaft O Ring - FPM	V70022	9639-1621-03
	2	Shaft O Ring - Silicone	S75022	9639-1621-04
123	2	Seal Seat Ceramic	015014002	9639-1671-02
	2	Seal Seat Silicon Carbide	015014009	9639-1671-03
	2	Seal Seat Chrome Oxide	015014001	9639-1671-04
124	2	Seal Inner Carbon - 1 piece	015306007	9639-1681-01
	2	Seal Inner Ceramic	40635	9639-1681-02
	2	Seal Inner Silicon Carbide	015306009	9639-1681-03
	2	Seal Inner Chrome Oxide	015306002	9639-1681-04
125	2	Wave Spring	015304000	9639-1691-01
Double Mechanical Seal:				
131	2	Rotorcase O Ring - NBR	AD0079000	9639-1611-01
	2	Rotorcase O Ring - EPDM	AD0079002	9639-1611-02
	2	Rotorcase O Ring - FPM	AD0079V00	9639-1611-03
	2	Rotorcase O Ring - Silicone	AD0079SC0	9639-1611-04
132	2	Shaft O Ring - NBR	N70022	9639-1621-01
	2	Shaft O Ring - EPDM	E70022	9639-1621-02
	2	Shaft O Ring - FPM	V70022	9639-1621-03
	2	Shaft O Ring - Silicone	S75022	9639-1621-04
133	2	Seal Seat Ceramic	015014002	9639-1671-02
	2	Seal Seat Silicon Carbide	015014009	9639-1671-03
	2	Seal Seat Chrome Oxide	015014001	9639-1671-04
134	2	Seal Inner Carbon	015306007	9639-1681-01
	2	Seal Inner Ceramic	40635	9639-1681-02
	2	Seal Inner Silicon Carbide	015306009	9639-1681-03
	2	Seal Inner Chrome Oxide	015306002	9639-1681-04
135	2	Wave Spring	015304000	9639-1691-01
136	2	Outer Seal O Ring - NBR	N50228	9639-1651-01
	2	Outer Seal O Ring - EPDM	E50228	9639-1651-02
	2	Outer Seal O Ring - FPM	V50228	9639-1651-03
137	2	Seal Outer Carbon	015206007	9639-1701-01



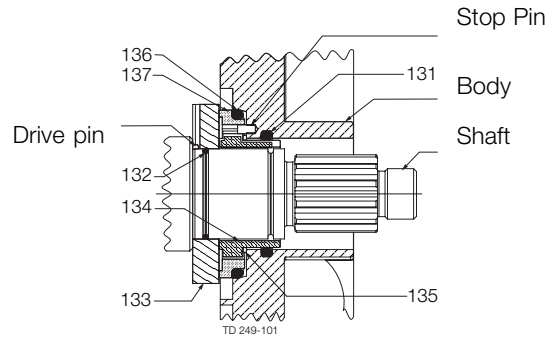
Single O-ring Seal



Double O-ring Seal

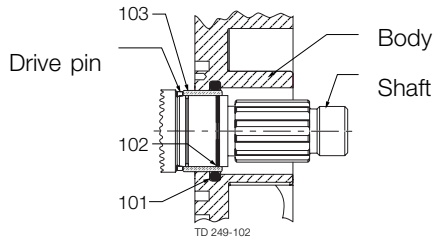


Single Mechanical Seal

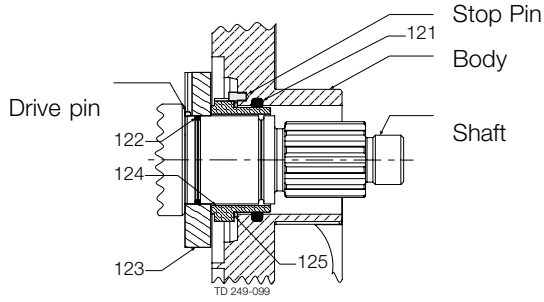


Double Mechanical Seal

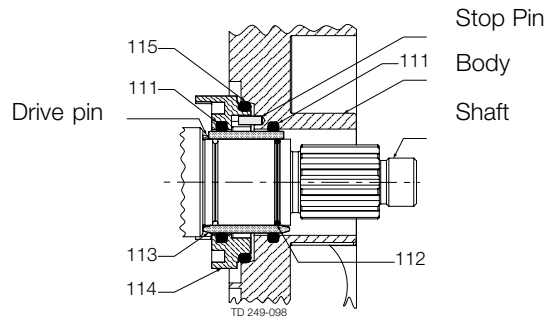
Pos	Qty	Denomination	Reference Part	
			No.	Item Number
Single O-ring Seal:				
101	2	Rotorcase O Ring - NBR	N70327	9639-1612-01
	2	Rotorcase O Ring - EPDM	E70327	9639-1612-02
	2	Rotorcase O Ring - FPM	V70327	9639-1612-03
	2	Rotorcase O Ring - Silicone	S75327	9639-1612-04
102	2	Shaft O Ring - NBR	N70028	9639-0622-01
	2	Shaft O Ring - EPDM	E70028	9639-0622-02
	2	Shaft O Ring - FPM	V70028	9639-0622-03
	2	Shaft O Ring - Silicone	S75028	9639-1622-04
103	2	Sleeve SS	030098000	9639-1632-01
	2	Sleeve Zirconia	030098004	9639-1632-02
	2	Chrome Oxide Coated SS Sleeve	030098002	9639-1632-03
Double O-ring Seal:				
111	4	Rotorcase O Ring - NBR	N70327	9639-1612-01
	4	Rotorcase O Ring - EPDM	E70327	9639-1612-02
	4	Rotorcase O Ring - FPM	V70327	9639-1612-03
	4	Rotorcase O Ring - Silicone	S75327	9639-1612-04
112	2	Shaft O Ring - NBR	N70028	9639-0622-01
	2	Shaft O Ring - EPDM	E70028	9639-0622-02
	2	Shaft O Ring - FPM	V70028	9639-0622-03
	2	Shaft O Ring - Silicone	S75028	9639-1622-04
113	2	Sleeve SS	030098000	9639-1632-01
	2	Sleeve Zirconia	030098004	9639-1632-02
	2	Chrome Oxide Coated SS Sleeve	030098002	9639-1632-03
114	2	O Ring Seal Carrier	030034001	9639-1642-01
	2	O Ring Seal Carrier (previous version)	030034000	9639-1642-02
115	2	Outer Seal O Ring - NBR	N50335	9639-1652-01
	2	Outer Seal O Ring - EPDM	E50335	9639-1652-02
	2	Outer Seal O Ring - FPM	V50335	9639-1652-03
	2	Outer Seal O Ring - Silicone	S50335	9639-1652-04
Single Mechanical Seal:				
121	2	Rotorcase O Ring - NBR	N70327	9639-1612-01
	2	Rotorcase O Ring - EPDM	E70327	9639-1612-02
	2	Rotorcase O Ring - FPM	V70327	9639-1612-03
	2	Rotorcase O Ring - Silicone	S75327	9639-1612-04
122	2	Shaft O Ring - NBR	N70028	9639-0622-01
	2	Shaft O Ring - EPDM	E70028	9639-0622-02
	2	Shaft O Ring - FPM	V70028	9639-0622-03
	2	Shaft O Ring - Silicone	S75028	9639-1622-04
123	2	Seal Seat Ceramic	030014002	9639-1672-02
	2	Seal Seat Silicon Carbide	030014009	9639-1672-03
	2	Seal Seat Chrome Oxide	030014001	9639-1672-04
124	2	Seal Inner Carbon - 1 piece	030306007	9639-1682-01
	2	Seal Inner Ceramic	40821	9639-1682-02
	2	Seal Inner Silicon Carbide	030306009	9639-1682-03
	2	Seal Inner Chrome Oxide	030306002	9639-1682-04
125	2	Wave Spring	030304000	9639-1692-01
Double Mechanical Seal:				
131	2	Rotorcase O Ring - NBR	N70327	9639-1612-01
	2	Rotorcase O Ring - EPDM	E70327	9639-1612-02
	2	Rotorcase O Ring - FPM	V70327	9639-1612-03
	2	Rotorcase O Ring - Silicone	S75327	9639-1612-04
132	2	Shaft O Ring - NBR	N70028	9639-0622-01
	2	Shaft O Ring - EPDM	E70028	9639-0622-02
	2	Shaft O Ring - FPM	V70028	9639-0622-03
	2	Shaft O Ring - Silicone	S75028	9639-1622-04
133	2	Seal Seat Ceramic	030014002	9639-1672-02
	2	Seal Seat Silicon Carbide	030014009	9639-1672-03
	2	Seal Seat Chrome Oxide	030014001	9639-1672-04
134	2	Seal Inner Carbon	030306007	9639-1682-01
	2	Seal Inner Ceramic	40821	9639-1682-02
	2	Seal Inner Silicon Carbide	030306009	9639-1682-03
	2	Seal Inner Chrome Oxide	030306002	9639-1682-04
135	2	Wave Spring	030304000	9639-1692-01
136	2	Outer Seal O Ring - NBR	N50335	9639-1652-01
	2	Outer Seal O Ring - EPDM	E50335	9639-1652-02
	2	Outer Seal O Ring - FPM	V50335	9639-1652-03
	2	Outer Seal O Ring - Silicone	S50335	9639-1652-04
137	2	Seal Outer Carbon	030206007	9639-1702-01
	2	Seal Outer Chrome Oxide	030206002	9639-1702-04



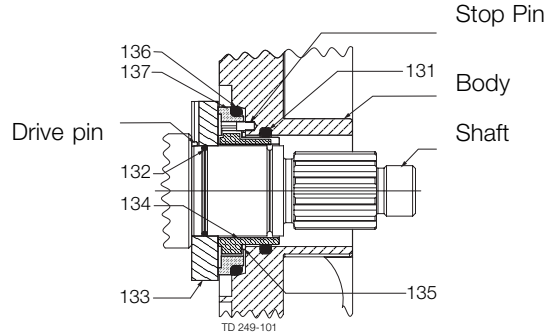
Single O-ring Seal



Single Mechanical Seal

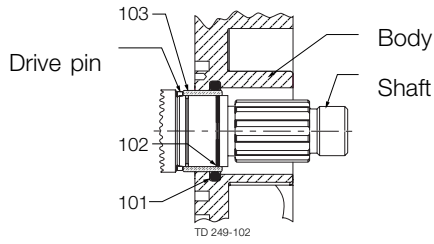


Double O-ring Seal

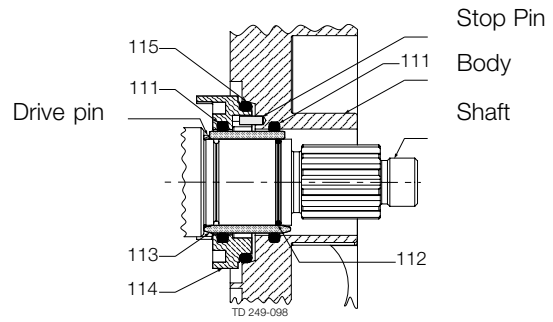


Double Mechanical Seal

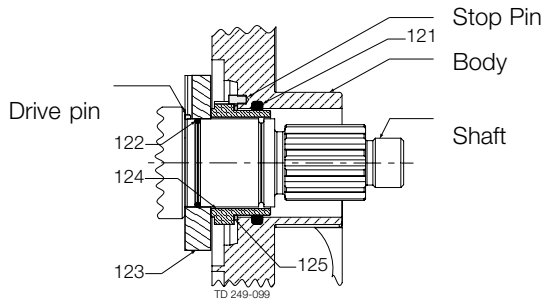
Pos	Qty	Denomination	Reference Part	
			No.	Item Number
Single O-ring Seal:				
101	2	Rotorcase O-ring, NBR	N70331	9639-1613-01
	2	Rotorcase O-ring, EPDM	E70331	9639-1613-02
	2	Rotorcase O-ring, FPM	V70331	9639-1613-03
102	2	Rotorcase O-ring, Silicone	S75331	9639-1613-04
	2	Shaft O-ring, NBR	N70131	9639-1623-01
	2	Shaft O-ring, EPDM	E70131	9639-1623-02
	2	Shaft O-ring, FPM	V70131	9639-1623-03
103	2	Shaft O-ring, Silicone	S75131	9639-1623-04
	2	Sleeve SS	060098000	9639-1633-01
	2	Sleeve Zirconia	060098004	9639-1633-02
	2	Chrome Oxide Coated SS Sleeve	060098002	9639-1633-03
Double O-ring Seal:				
101	4	Rotorcase O-ring, NBR	N70331	9639-1613-01
	4	Rotorcase O-ring, EPDM	E70331	9639-1613-02
	4	Rotorcase O-ring, FPM	V70331	9639-1613-03
	4	Rotorcase O-ring, Silicone	S75331	9639-1613-04
102	2	Shaft O-ring, NBR	N70131	9639-1623-01
	2	Shaft O-ring, EPDM	E70131	9639-1623-02
	2	Shaft O-ring, FPM	V70131	9639-1623-03
103	2	Shaft O-ring, Silicone	S75131	9639-1623-04
	2	Sleeve SS	060098000	9639-1633-01
	2	Sleeve Zirconia	060098004	9639-1633-02
	2	Chrome Oxide Coated SS Sleeve	060098002	9639-1633-03
114	2	O Ring Seal Carrier	060034001	9639-1643-01
	2	O Ring Seal Carrier (previous version)	060034000	9639-1643-02
115	2	Outer Seal O-ring, NBR	N50338	9639-1653-01
	2	Outer Seal O-ring, EPDM	E50338	9639-1653-02
	2	Outer Seal O-ring, FPM	V50338	9639-1653-03
Single Mechanical Seal:				
121	2	Rotorcase O-ring, NBR	N70331	9639-1613-01
	2	Rotorcase O-ring, EPDM	E70331	9639-1613-02
	2	Rotorcase O-ring, FPM	V70331	9639-1613-03
	2	Rotorcase O-ring, Silicone	S75331	9639-1613-04
122	2	Shaft O-ring, NBR	N70131	9639-1623-01
	2	Shaft O-ring, EPDM	E70131	9639-1623-02
	2	Shaft O-ring, FPM	V70131	9639-1623-03
123	2	Shaft O-ring, Silicone	S75131	9639-1623-04
	2	Seal Seat Ceramic	060014002	9639-1673-02
	2	Seal Seat Silicone Carbide	060014009	9639-1673-03
124	2	Seal Seat Chrome Oxide	060014001	9639-1673-04
	2	Seal Inner Carbon - 1 piece	060306007	9639-1683-01
	2	Seal Inner Ceramic	40642	9639-1683-02
	2	Seal Inner Silicone Carbide	060306009	9639-1683-03
125	2	Seal Inner Chrome Oxide	060306002	9639-1683-04
	2	Wave Spring	060304000	9639-1693-01
Double Mechanical Seal:				
131	2	Rotorcase O-ring, NBR	N70331	9639-1613-01
	2	Rotorcase O-ring, EPDM	E70331	9639-1613-02
	2	Rotorcase O-ring, FPM	V70331	9639-1613-03
	2	Rotorcase O-ring, Silicone	S75331	9639-1613-04
132	2	Shaft O-ring, NBR	N70131	9639-1623-01
	2	Shaft O-ring, EPDM	E70131	9639-1623-02
	2	Shaft O-ring, FPM	V70131	9639-1623-03
133	2	Shaft O-ring, Silicone	S75131	9639-1623-04
	2	Seal Seat Ceramic	060014002	9639-1673-02
	2	Seal Seat Silicone Carbide	060014009	9639-1673-03
	2	Seal Seat Chrome Oxide	060014001	9639-1673-04
134	2	Seal Inner Carbon	060306007	9639-1683-01
	2	Seal Inner Ceramic	40642	9639-1683-02
	2	Seal Inner Silicone Carbide	060306009	9639-1683-03
	2	Seal Inner Chrome Oxide	060306002	9639-1683-04
135	2	Wave Spring	060304000	9639-1693-01
136	2	Outer Seal O-ring, NBR	N50338	9639-1653-01
	2	Outer Seal O-ring, EPDM	E50338	9639-1653-02
	2	Outer Seal O-ring, FPM	V50338	9639-1653-03
137	2	Seal Outer Carbon	060206007	9639-1703-01
	2	Seal Outer Chrome Oxide	060206002	9639-1703-04



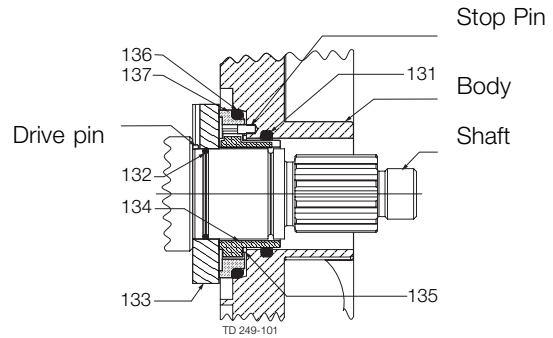
Single O-ring Seal



Double O-ring Seal

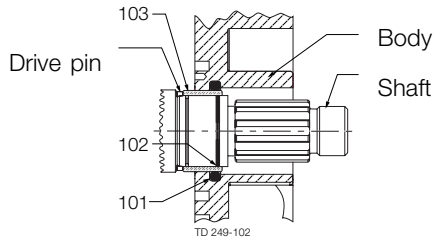


Single Mechanical Seal

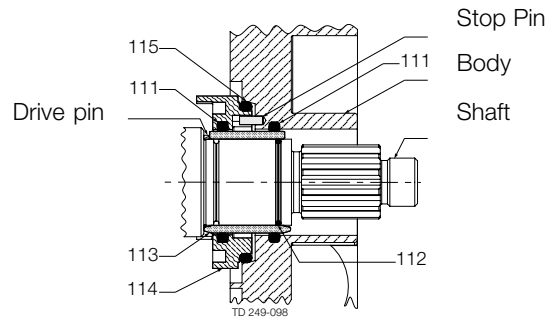


Double Mechanical Seal

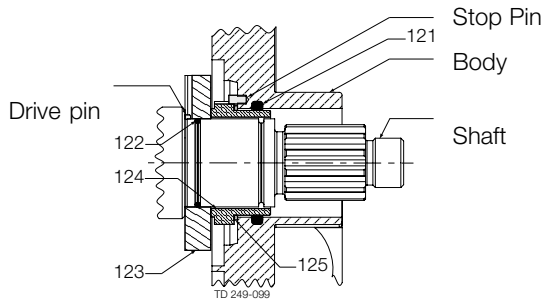
Pos	Qty	Denomination	Reference Part	
			No.	Item Number
Single O-ring Seal:				
101	2	Rotorcase O-ring, NBR	N70338	9639-1614-01
	2	Rotorcase O-ring, EPDM	E70338	9639-1614-02
	2	Rotorcase O-ring, FPM	V70338	9639-1614-03
102	2	Rotorcase O-ring, Silicone	S75338	9639-1614-04
	2	Shaft O-ring, NBR	N70144	9639-1624-01
	2	Shaft O-ring, EPDM	E70144	9639-1624-02
	2	Shaft O-ring, FPM	V70144	9639-1624-03
103	2	Shaft O-ring, Silicone	S75144	9639-1624-04
	2	Sleeve SS	220098000	9639-1634-01
	2	Sleeve Zirconia	220098004	9639-1634-02
	2	Chrome Oxide Coated SS Sleeve	220098002	9639-1634-03
Double O-ring Seal:				
111	4	Rotorcase O-ring, NBR	N70338	9639-1614-01
	4	Rotorcase O-ring, EPDM	E70338	9639-1614-02
	4	Rotorcase O-ring, FPM	V70338	9639-1614-03
	4	Rotorcase O-ring, Silicone	S75338	9639-1614-04
112	2	Shaft O-ring, NBR	N70144	9639-1624-01
	2	Shaft O-ring, EPDM	E70144	9639-1624-02
	2	Shaft O-ring, FPM	V70144	9639-1624-03
	2	Shaft O-ring, Silicone	S75144	9639-1624-04
113	2	Sleeve SS	220098000	9639-1634-01
	2	Sleeve Zirconia	220098004	9639-1634-02
	2	Chrome Oxide Coated SS Sleeve	220098002	9639-1634-03
114	2	O Ring Seal Carrier	220034001	9639-1644-01
	2	O Ring Seal Carrier (previous version)	220034000	9639-1644-02
115	2	Outer Seal O-ring, NBR	N50344	9639-1654-01
	2	Outer Seal O-ring, EPDM	E50344	9639-1654-02
	2	Outer Seal O-ring, FPM	V50344	9639-1654-03
Single Mechanical Seal:				
121	2	Rotorcase O-ring, NBR	N70338	9639-1614-01
	2	Rotorcase O-ring, EPDM	E70338	9639-1614-02
	2	Rotorcase O-ring, FPM	V70338	9639-1614-03
	2	Rotorcase O-ring, Silicone	S75338	9639-1614-04
122	2	Shaft O-ring, NBR	N70144	9639-1624-01
	2	Shaft O-ring, EPDM	E70144	9639-1624-02
	2	Shaft O-ring, FPM	V70144	9639-1624-03
	2	Shaft O-ring, Silicone	S75144	9639-1624-04
123	2	Seal Seat Ceramic	220014002	9639-1674-02
	2	Seal Seat Silicone Carbide	220014009	9639-1674-03
	2	Seal Seat Chrome Oxide	220014001	9639-1674-04
124	2	Seal Inner Carbon	220306007	9639-1684-01
	2	Seal Inner Ceramic	40830	9639-1684-02
	2	Seal Inner Silicone Carbide	220306009	9639-1684-03
	2	Seal Inner Chrome Oxide	220306002	9639-1684-04
125	2	Wave Spring	220304000	9639-1694-01
Double Mechanical Seal:				
131	2	Rotorcase O-ring, NBR	N70338	9639-1614-01
	2	Rotorcase O-ring, EPDM	E70338	9639-1614-02
	2	Rotorcase O-ring, FPM	V70338	9639-1614-03
	2	Rotorcase O-ring, Silicone	S75338	9639-1614-04
132	2	Shaft O-ring, NBR	N70144	9639-1624-01
	2	Shaft O-ring, EPDM	E70144	9639-1624-02
	2	Shaft O-ring, FPM	V70144	9639-1624-03
	2	Shaft O-ring, Silicone	S75144	9639-1624-04
133	2	Seal Seat Ceramic	220014002	9639-1674-02
	2	Seal Seat Silicone Carbide	220014009	9639-1674-03
	2	Seal Seat Chrome Oxide	220014001	9639-1674-04
134	2	Seal Inner Carbon	220306007	9639-1684-01
	2	Seal Inner Ceramic	40830	9639-1684-02
	2	Seal Inner Silicone Carbide	220306009	9639-1684-03
	2	Seal Inner Chrome Oxide	220306002	9639-1684-04
135	2	Wave Spring	220304000	9639-1694-01
136	2	Outer Seal O-ring, NBR	N50344	9639-1654-01
	2	Outer Seal O-ring, EPDM	E50344	9639-1654-02
	2	Outer Seal O-ring, FPM	V50344	9639-1654-03
137	2	Seal Outer Carbon	220206007	9639-1704-01
	2	Seal Outer Chrome Oxide	220206002	9639-1704-04



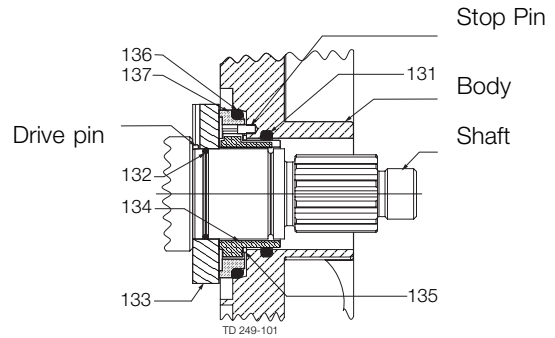
Single O-ring Seal



Double O-ring Seal



Single Mechanical Seal



Double Mechanical Seal

SCPP 1/320 - Sealing

Pos	Qty	Denomination	Reference Part	
			No.	Item Number
Single Mechanical Seal:				
113	2	Gasket, Inner	300042001	9639-1735-01
114	2	Gasket, Outer W/Flush Holes	300042002	9639-1745-01
120	2	8B2 Outer Seal, Carbon	323114003	9639-1675-01
121	2	Inner Seal O-ring, EPDM	E70234	9639-1665-02
	2	Inner Seal O-ring, FPM	V70234	9639-1665-03
	2	Inner Seal O-ring, Silicone	S75234	9639-1665-04
	2	"T" Seat, No Flush, Sil Car	300014016	9639-1685-03
123	4	Gland Plug	9639-1755-01	
Double Mechanical Seal:				
110	2	Inner Seal, Sil Car	40572	9639-1705-03
112	2	"T" Seat, with Flush, Sil Car	300014031	9639-1685-06
113	2	Gasket, Inner	300042001	9639-1735-01
114	2	Gasket, Outer w/Flush Holes	300042002	9639-1745-01
116	2	Inner Seal O-ring, EPDM	E70234	9639-1665-02
	2	Inner Seal O-ring, FPM	V70234	9639-1665-03
	2	Inner Seal O-ring, Silicone	S75234	9639-1665-04
	2	8B2 Outer Seal, Carbon	323114003	9639-1675-01
120	2	Inner Seal O-ring, EPDM	E70234	9639-1665-02
121	2	Inner Seal O-ring, FPM	V70234	9639-1665-03
	2	Inner Seal O-ring, Silicone	S75234	9639-1665-04