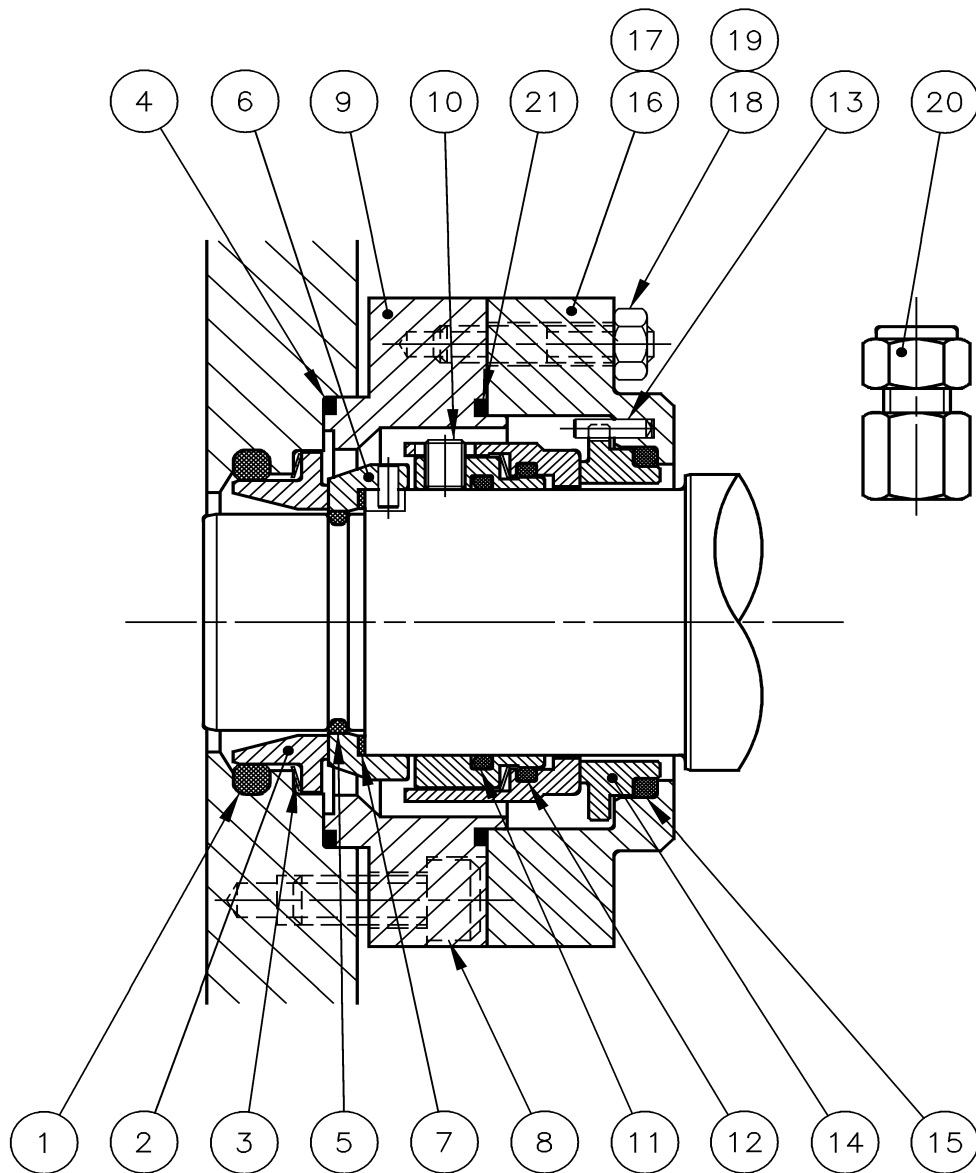


Hyclean Double Mechanical Seal - Exploded View Drawing



Hyclean Double Mechanical Seals (Parts) - SRU1 and SRU2 Pump Models

Drg No.	Description	Material	Qty	SRU1		SRU2	
				Part No	Item No	Part No	Item No
1	'O' Ring, Stat. Seal Ring (inboard)	NBR	2	1550.320	9630050800	31494.5001.1	9630042759
		EPDM		1555.320	9630050799	31494.5001.5	9630042761
		FPM		1551.320	9630050801	31494.5001.2	9630042760
2	Stat. Seal Ring (Inboard)	Solid Carbon	2	R5630.092	9630031237	31494.0501.2	9630029349
		Silicon Carbide		R5630.093	9630023183	31494.0501.3	9630029474
		Inserted Sil.Car.		-	-	31494.0501.9	9630057066
3	Wave Spring		2	R6300.039	9630050798	31494.0508.1	9630042767
5	'O' Ring, Rotary (Inboard)	NBR	2	1550.114	9630023345	1550.121	9630019400
		EPDM		1555.114	9630023526	1555.121	9630025331
		FPM		1551.114	9630023406	1551.121	9630019399
6	Rotary Seal Ring (Inboard)	Stainless Steel	2	-	-	-	-
		Silicon Carbide		R5610.109	9630031316	R5610.110	9630031317
7	Washer	NBR	2	6400.086	9630050796	6400.069	9630046535
		FPM		6400.087	9630050797	6400.073	9630046695
10	Rotary Seal Ring (Outboard)	Stainless Steel	2	R5610.115	9630031146	R5610.116	9630031147
11	'O' Ring Rotary (Outboard)	NBR	2	1550.119	9630023348	1550.126	9630023351
		EPDM		1555.119		5380.576	9630059410
		FPM		1551.119	9630023412	1551.126	9630023416
12	'O' Ring Rotary (Outboard)	NBR	2	-	-	1550.129	9630061579
		EPDM		-	-	1555.129	9630059409
		FPM		-	-	1551.129	9630061580
14	Stat. Seal Ring (Outboard)	Carbon	2	R5630.101	9630061577	R5630.062	9630026162
15	'O' Ring, Stat. Seal Ring (outboard)	NBR	2	1550.123	9630037139	5380.230	9630028368
		EPDM		1555.123	9630037138	5380.234	9630028321
		FPM		1551.123	9630037140	5380.232	9630028357

Hyclean Double Mechanical Seals (Parts) - SRU3 and SRU4 Pump Models

Drg No.	Description	Material	Qty	SRU3		SRU4	
				Part No	Item No	Part No	Item No
1	'O' Ring, Stat. Seal Ring (inboard)	NBR	2	31495.5001.1	9630042771	31496.5001.1	9630042786
		EPDM		31495.5001.5	9630042773	31496.5001.5	9630042788
		FPM		31495.5001.2	9630042772	31496.5001.2	9630042787
2	Stat. Seal Ring (Inboard)	Solid Carbon	2	31495.0501.2	9630037760	31496.0501.2	9630025796
		Silicon Carbide		31495.0501.3	9630042768	31496.0501.3	9630042783
		Inserted Sil.Car.		31495.0501.9	9630056418	31496.0501.9	9630052311
3	Wave Spring		2	31495.0508.1	9630042780	31496.0508.1	9630042794
5	'O' Ring, Rotary (Inboard)	NBR	2	1550.124	9630046505	1550.131	9630023353
		EPDM		1555.124	9630046509	1555.131	9630023531
		FPM		1551.124	9630046508	1551.131	9630023418
6	Rotary Seal Ring (Inboard)	Stainless Steel	2	-	-	R5610.106	9630045460
		Silicon Carbide		R5610.111	9630045861	R5610.112	9630045465
7	Washer	NBR	2	6400.070	9630046536	6400.071	9630046537
		FPM		6400.074	9630046696	6400.075	9630046697
10	Rotary Seal Ring (Outboard)	Stainless Steel	2	R5610.117	9630045459	R5610.118	9630045458
11	'O' Ring Rotary (Outboard)	NBR	2	1550.131	9630023353	1550.138	9630037156
		EPDM		1555.131	9630023531	1555.138	9630037155
		FPM		1551.131	9630023418	1551.138	9630037158
12	'O' Ring Rotary (Outboard)	NBR	2	1550.134	9630061581	1550.229	9630023368
		EPDM		1555.134	9630043509	5380.547	9630046031
		FPM		1551.134	9630058536	1551.229	9630023444
14	Stat. Seal Ring (Outboard)	Carbon	2	R5630.094	9630045457	R5630.064	9630026207
15	'O' Ring, Stat. Seal Ring (outboard)	NBR	2	5380.151	9630024282	5380.246	9630025417
		EPDM		5380.095	9630024208	5380.250	9630025437
		FPM		1551.226	9630023440	5380.248	9630025398

Hyclean Double Mechanical Seals (Parts) - SRU5 and SRU6 Pump Models

Drg No.	Description	Material	Qty	SRU5		SRU6	
				Part No	Item No	Part No	Item No
1	'O' Ring, Stat. Seal Ring (inboard)	NBR EPDM FPM	2	31497.5001.1	9630042799	1550.339	9630048174
				31497.5001.5	9630042801	1555.339	9630030198
				31497.5001.2	9630042800	1551.339	9630048175
2	Stat. Seal Ring (Inboard)	Solid Carbon Silicon Carbide Inserted Sil.Car.	2	31497.0501.2	9630039819	31498.0501.2	9630047980
				31497.0501.3	9630042795	-	-
				31497.0501.9	9630052312	31498.0501.3	9630048002
3	Wave Spring		2	31497.0508.1	9630042807	31498.0508.1	9630048005
5	'O' Ring, Rotary (Inboard)	NBR EPDM FPM	2	1550.137	9630046511	5380.246	9630025417
				1555.137	9630046514	5380.250	9630025437
				1551.137	9630046513	5380.248	9630025398
6	Rotary Seal Ring (Inboard)	Stainless Steel Silicon Carbide	2	- R5610.113	- 9630031227	- R5610.114	- 9630031228
7	Washer	NBR FPM	2	6400.072	9630046538	6400.079	9630048006
				6400.076	9630046698	6400.080	9630048007
10	Rotary Seal Ring (Outboard)	Stainless Steel	2	R5610.119	9630030903	R5610.120	9630030904
11	'O' Ring Rotary (Outboard)	NBR EPDM FPM	2	5380.246	9630025417	1548.010	9630023338
				5380.250	9630025437	1555.234	9630022854
				5380.248	9630025398	1551.234	9630023452
12	'O' Ring Rotary (Outboard)	NBR EPDM FPM	2	1550.232	9630023371	1550.236	9630023373
				1555.232	9630019381	1555.236	9630059935
				1551.232	9630023449	1551.236	9630023453
14	Stat. Seal Ring (Outboard)	Carbon	2	R5630.089	9630045423	R5630.099	9630059589
15	'O' Ring, Stat. Seal Ring (outboard)	NBR EPDM FPM	2	5380.359	9630029276	5380.254	9630027486
				5380.363	9630029270	5380.258	9630029893
				5380.435	9630045583	5380.256	9630029897