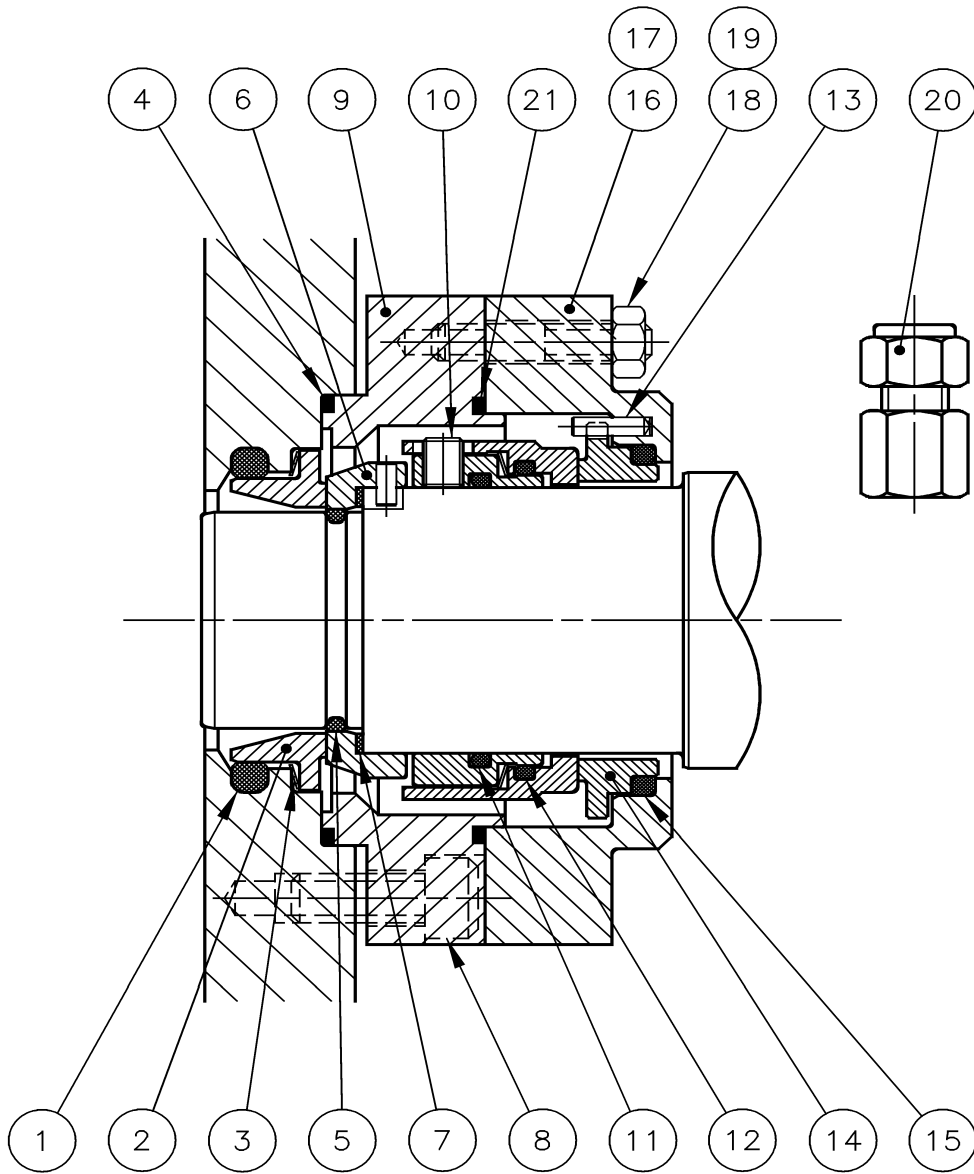


Hyclean Double Mechanical Seal - Exploded View Drawing



Hyclean Double Mechanical Seals (Parts) - SRU1 and SRU2 Pump Models

Drg No.	Description	Material	Qty	SRU1		SRU2	
				Part No	Item No	Part No	Item No
1	'O' Ring, Stat. Seal Ring (inboard)	NBR	2	1550.320	9630050800	31494.5001.1	9630042759
		EPDM		1555.320	9630050799	31494.5001.5	9630042761
		FPM		1551.320	9630050801	31494.5001.2	9630042760
2	Stat. Seal Ring (Inboard)	Solid Carbon	2	R5630.092	9630031237	31494.0501.2	9630029349
		Silicon Carbide		R5630.093	9630023183	31494.0501.3	9630029474
		Inserted Sil.Car.		-	-	31494.0501.9	9630057066
3	Wave Spring		2	R6300.039	9630050798	31494.0508.1	9630042767
5	'O' Ring, Rotary (Inboard)	NBR	2	1550.114	9630023345	1550.121	9630019400
		EPDM		1555.114	9630023526	1555.121	9630025331
		FPM		1551.114	9630023406	1551.121	9630019399
6	Rotary Seal Ring (Inboard)	Stainless Steel	2	-	-	-	-
		Silicon Carbide		R5610.109	9630031316	R5610.110	9630031317
7	Washer	NBR	2	6400.086	9630050796	6400.069	9630046535
		FPM		6400.087	9630050797	6400.073	9630046695
10	Rotary Seal Ring (Outboard)	Stainless Steel	2	R5610.115	9630031146	R5610.116	9630031147
11	'O' Ring Rotary (Outboard)	NBR	2	1550.119	9630023348	1550.126	9630023351
		EPDM		1555.119		5380.576	9630059410
		FPM		1551.119	9630023412	1551.126	9630023416
12	'O' Ring Rotary (Outboard)	NBR	2	-	-	1550.129	9630061579
		EPDM		-	-	1555.129	9630059409
		FPM		-	-	1551.129	9630061580
14	Stat. Seal Ring (Outboard)	Carbon	2	R5630.101	9630061577	R5630.062	9630026162
15	'O' Ring, Stat. Seal Ring (outboard)	NBR	2	1550.123	9630037139	5380.230	9630028368
		EPDM		1555.123	9630037138	5380.234	9630028321
		FPM		1551.123	9630037140	5380.232	9630028357