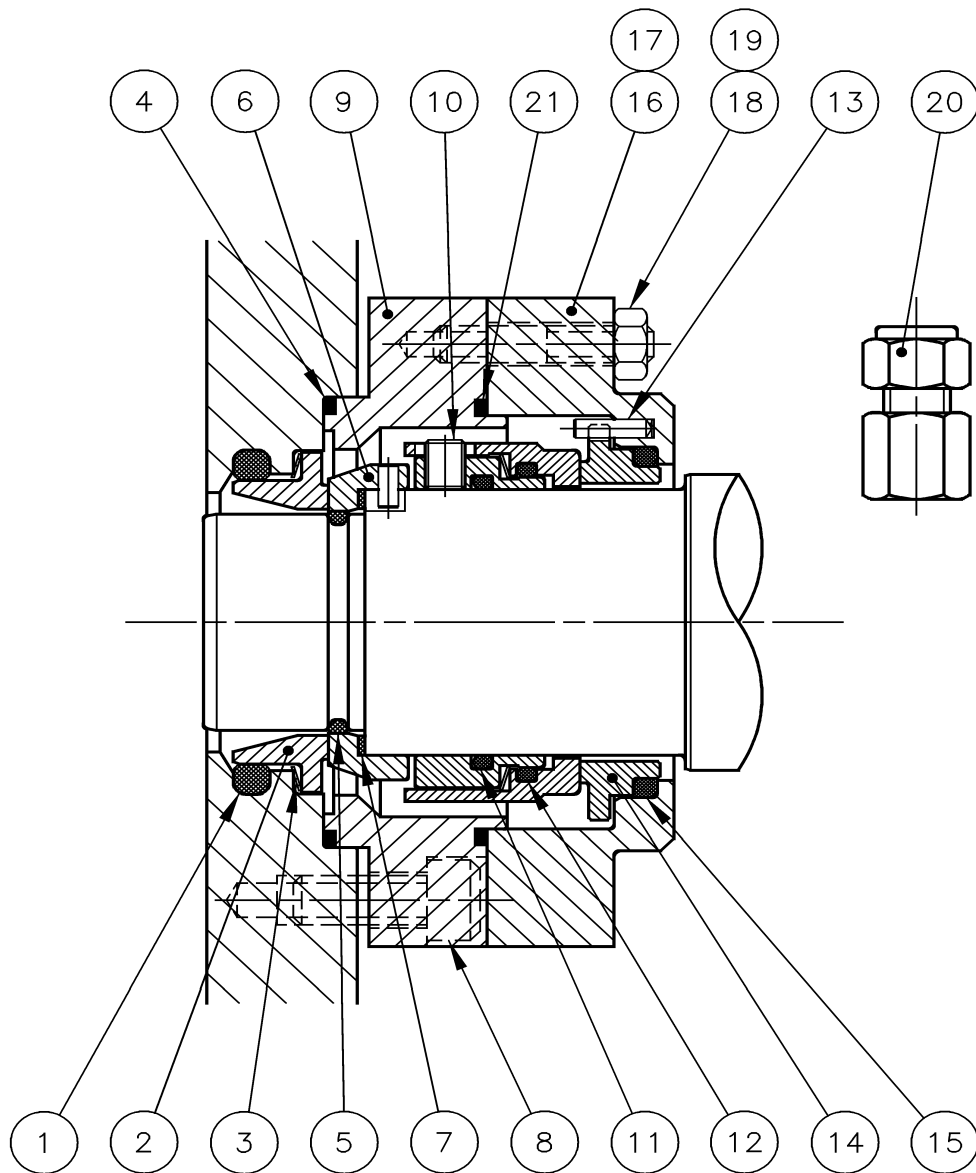


Hyclean Double Mechanical Seal - Exploded View Drawing



### Hyclean Double Mechanical Seals (Complete) - SRU1 and SRU2 Pump Models

2 seals per pump. It is recommended to replace both sets of seals when wear dictates seal replacement.

Inboard Seal	Outboard Seal	Inboard Seal 'O' Ring	Outboard Seal 'O' Ring	SRU1	
Rotary Seal / Stationary Seal Ring	Rotary Seal / Stationary Seal Ring			Part No.	Item No.
Silicon Carbide / Silicon Carbide	Stainless Steel / Inserted Carbon	NBR	NBR	7600.201N/141N	9630856653
		EPDM	EPDM	7400.201E/141E	9630061634
		FPM	FPM	7400.201V/141V	9630104378
Description		Drg. No.	Qty	SRU1	
				Part No.	Item No.
'O' Ring, Housing, FPM		4, 21	4	5380.630	9630062448
Screw, Inner Housing		8	4	5990.045	9630030332
Seal Housing, Inner		9	2	5265.427	9630061703
Pin	St. Stl.	13	6	5180.023	9630045816
Seal Housing, Outer, NPT	(horizontal port)	16	1	5265.485B	9630062414
	(vertical port)			5265.428B	9630061702
Nut, seal housing stud		18	4	5330.007	9630024061
Stud, seal housing		19	4	6350.019	9630023949

Inboard Seal	Outboard Seal	Inboard Seal 'O' Ring	Outboard Seal 'O' Ring	SRU2	
Rotary Seal / Stationary Seal Ring	Rotary Seal / Stationary Seal Ring			Part No.	Item No.
Silicon Carbide / Silicon Carbide	Stainless Steel / Inserted Carbon	NBR	NBR	7600.202N/142N	9630856657
		EPDM	EPDM	7400.202E/142E	9630060293
		FPM	FPM	7400.202V/142V	9630105247
Description		Drg. No.	Qty	SRU2	
				Part No.	Item No.
'O' Ring, Housing, FPM	GHPD	4	2	1551.139	9630043054
	GHPD-RF & SRU			1551.138	9630037158
Screw, Inner Housing		8	4	5990.034	9630024635
Seal Housing, Inner	GHPD	9	2	5265.444	9630054724
	GHPD-RF & SRU			5265.430	9630060956
Pin	St. Stl.	13	6	5180.017	9630031424
	GHPD	16	1	5265.445LB	9630054726
Seal Housing, Outer, NPT, LH	GHPD-RF (vert port)			5265.431LB	9630060958
	GHPD-RF & SRU (horiz port)			5265.484LB	9630062399
Seal Housing, Outer, NPT, SRU (vert port)	GHPD	2		5265.512B	9630098255
	GHPD			5265.445RB	9630054728
Seal Housing, Outer, NPT, RH	GHPD-RF (vert port)	17	1	5265.431RB	9630060957
	GHPD-RF & SRU (horiz port)			5265.484RB	9630062400
Nut, seal housing stud		18	6	5330.007	9630024061
Stud, seal housing	GHPD and GHPD-RF	19	6	6350.099	9630031247
	SRU			6350.145	9630062341
Stud coupling NPT (GHPD & SRU horiz port)		20	2	5192.049B	9630026551
'O' Ring, Housing		21	2	1551.034	9630063230