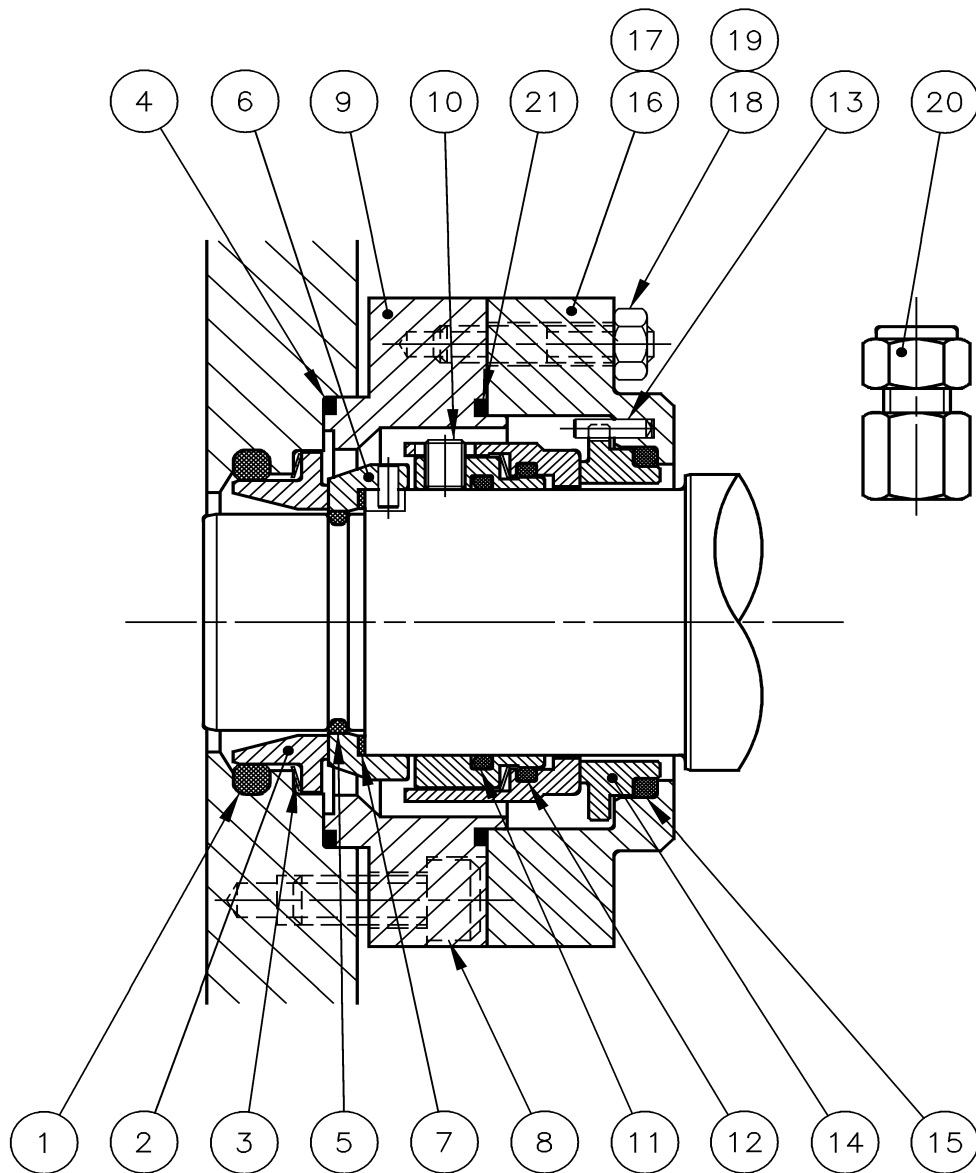


Hyclean Double Mechanical Seal - Exploded View Drawing



**Hyclean Double Mechanical Seals (Parts) - SRU3 and SRU4 Pump Models**

Drg No.	Description	Material	Qty	SRU3		SRU4	
				Part No	Item No	Part No	Item No
1	'O' Ring, Stat. Seal Ring (inboard)	NBR	2	31495.5001.1	9630042771	31496.5001.1	9630042786
		EPDM		31495.5001.5	9630042773	31496.5001.5	9630042788
		FPM		31495.5001.2	9630042772	31496.5001.2	9630042787
2	Stat. Seal Ring (Inboard)	Solid Carbon	2	31495.0501.2	9630037760	31496.0501.2	9630025796
		Silicon Carbide		31495.0501.3	9630042768	31496.0501.3	9630042783
		Inserted Sil.Car.		31495.0501.9	9630056418	31496.0501.9	9630052311
3	Wave Spring		2	31495.0508.1	9630042780	31496.0508.1	9630042794
5	'O' Ring, Rotary (Inboard)	NBR	2	1550.124	9630046505	1550.131	9630023353
		EPDM		1555.124	9630046509	1555.131	9630023531
		FPM		1551.124	9630046508	1551.131	9630023418
6	Rotary Seal Ring (Inboard)	Stainless Steel	2	-	-	R5610.106	9630045460
		Silicon Carbide		R5610.111	9630045861	R5610.112	9630045465
7	Washer	NBR	2	6400.070	9630046536	6400.071	9630046537
		FPM		6400.074	9630046696	6400.075	9630046697
10	Rotary Seal Ring (Outboard)	Stainless Steel	2	R5610.117	9630045459	R5610.118	9630045458
11	'O' Ring Rotary (Outboard)	NBR	2	1550.131	9630023353	1550.138	9630037156
		EPDM		1555.131	9630023531	1555.138	9630037155
		FPM		1551.131	9630023418	1551.138	9630037158
12	'O' Ring Rotary (Outboard)	NBR	2	1550.134	9630061581	1550.229	9630023368
		EPDM		1555.134	9630043509	5380.547	9630046031
		FPM		1551.134	9630058536	1551.229	9630023444
14	Stat. Seal Ring (Outboard)	Carbon	2	R5630.094	9630045457	R5630.064	9630026207
15	'O' Ring, Stat. Seal Ring (outboard)	NBR	2	5380.151	9630024282	5380.246	9630025417
		EPDM		5380.095	9630024208	5380.250	9630025437
		FPM		1551.226	9630023440	5380.248	9630025398