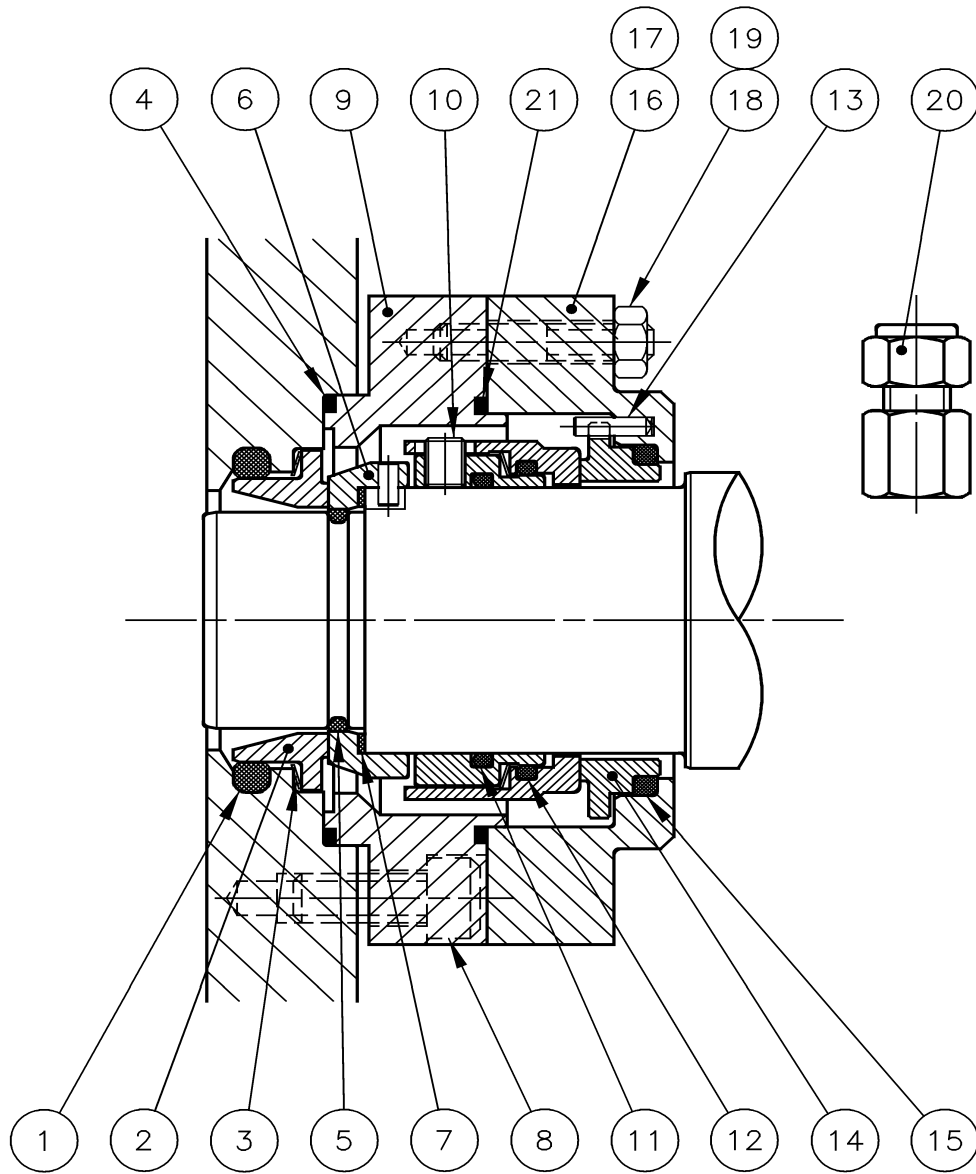


Hyclean Double Mechanical Seal - Exploded View Drawing



Hyclean Double Mechanical Seals (Complete) - SRU3 and SRU4 Pump Models

2 seals per pump. It is recommended to replace both sets of seals when wear dictates seal replacement.

Inboard Seal	Outboard Seal	Inboard Seal 'O' Ring	Outboard Seal 'O' Ring	SRU3	
				Part No.	Item No.
Rotary Seal / Stationary Seal Ring	Rotary Seal / Stationary Seal Ring				
Silicon Carbide / Silicon Carbide	Stainless Steel / Inserted Carbon	NBR	NBR	7600.203N/143N	9630112163
		EPDM	EPDM	7600.203E/143E	9630058738
		FPM	FPM	7600.203V/143V	9630856658

Description	Drg. No.	Qty	SRU3		
			Part No.	Item No.	
'O' Ring, Housing, FPM	4, 21	4	5380.625	9630062443	
Screw, Inner Housing	8	4	5990.034	9630024635	
Seal Housing, Inner	9	2	5265.433	9630019209	
Pin	13	6	5180.017	9630031424	
Seal Housing, Outer, NPT, LH	16	1	GHPD-RF (vert port)	5265.434LB	9630044697
			GHPD-RF & SRU (horiz port)	5265.483LB	9630062336
Seal Housing, Outer, NPT, SRU (vert port)		2	5265.513B	9630096556	
Seal Housing, Outer, NPT, RH	17	1	GHPD-RF (vert port)	5265.434RB	9630032843
			GHPD-RF & SRU (horiz port)	5265.483RB	9630062339
Nut, seal housing stud	18	6	5330.007	9630024061	
Stud, seal housing	19	6	GHPD and GHPD-RF	6350.099	9630031247
			SRU	6350.145	9630062341
Stud coupling NPT (GHPD & SRU horiz port)	20	2	5192.049B	9630026551	

Inboard Seal	Outboard Seal	Inboard Seal 'O' Ring	Outboard Seal 'O' Ring	SRU4	
				Part No.	Item No.
Rotary Seal / Stationary Seal Ring	Rotary Seal / Stationary Seal Ring				
Silicon Carbide / Silicon Carbide	Stainless Steel / Inserted Carbon	NBR	NBR	7600.204N/144N	9630125161
		EPDM	EPDM	7600.204E/144E	9630057265
		FPM	FPM	7600.204V/144V	9630059754

Description	Drg. No.	Qty	SRU4		
			Part No.	Item No.	
'O' Ring, Housing, FPM	4, 21	4	5380.403	9630043060	
Screw, Inner Housing	8	4	5990.022	9630024618	
Seal Housing, Inner	9	2	5265.436	9630029611	
Pin	13	6	5180.017	9630031424	
Seal Housing, Outer, NPT, LH	16	1	GHPD-RF (vert port)	5265.437LB	9630028311
			GHPD-RF & SRU (horiz port)	5265.474LB	9630087876
Seal Housing, Outer, NPT, SRU (vert port)		2	5265.514B	9630096729	
Seal Housing, Outer, NPT, RH	17	1	GHPD-RF (vert port)	5265.437RB	9630045456
			GHPD-RF & SRU (horiz port)	5265.474RB	9630087877
Screw, seal housing	19	6	5950.042	9630026249	
Stud coupling NPT (GHPD & SRU horiz port)	20	2	5192.049B	9630026551	