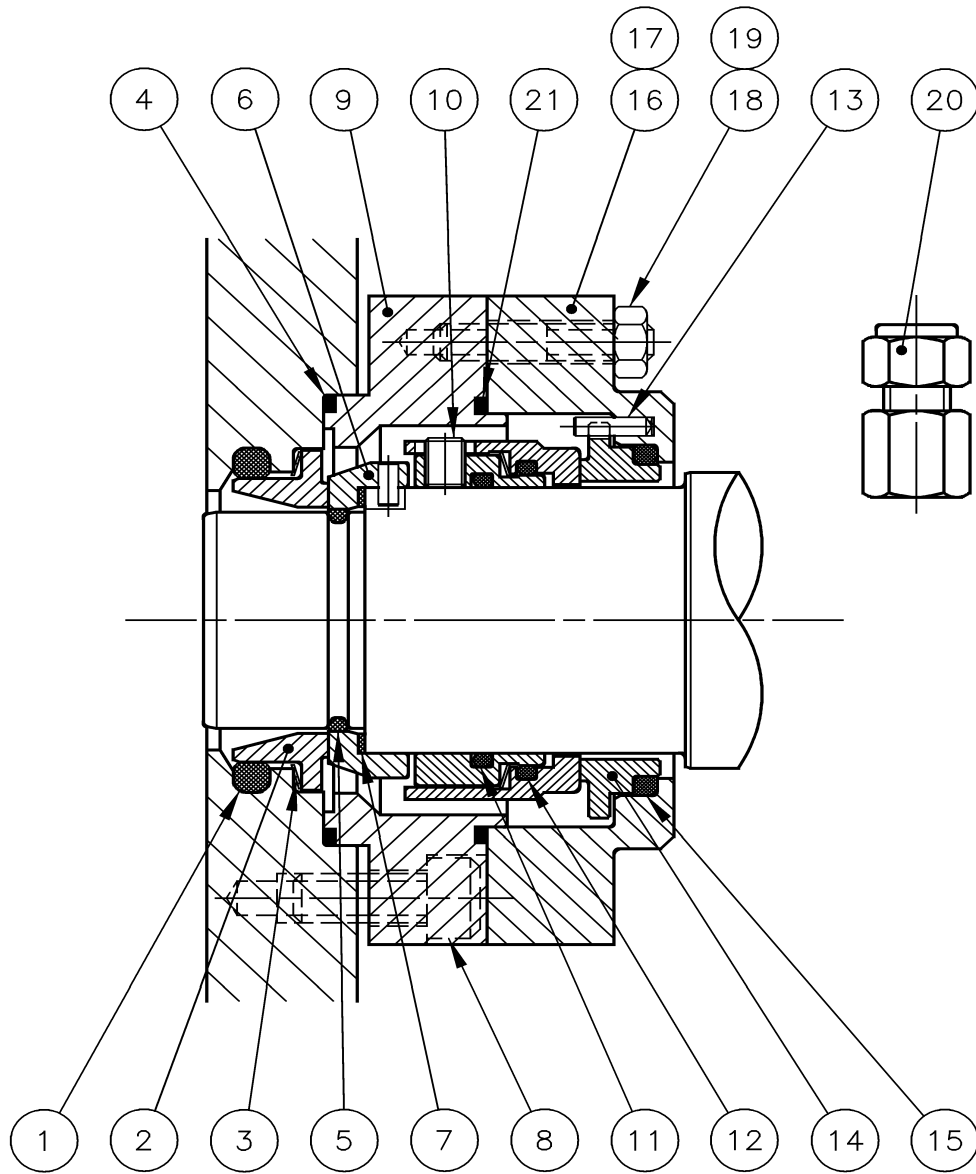


Hyclean Double Mechanical Seal - Exploded View Drawing



**Hyclean Double Mechanical Seals (Parts) - SRU5 and SRU6 Pump Models**

Drg No.	Description	Material	Qty	SRU5		SRU6	
				Part No	Item No	Part No	Item No
1	'O' Ring, Stat. Seal Ring (inboard)	NBR EPDM FPM	2	31497.5001.1	9630042799	1550.339	9630048174
				31497.5001.5	9630042801	1555.339	9630030198
				31497.5001.2	9630042800	1551.339	9630048175
2	Stat. Seal Ring (Inboard)	Solid Carbon Silicon Carbide Inserted Sil.Car.	2	31497.0501.2	9630039819	31498.0501.2	9630047980
				31497.0501.3	9630042795	-	-
				31497.0501.9	9630052312	31498.0501.3	9630048002
3	Wave Spring		2	31497.0508.1	9630042807	31498.0508.1	9630048005
5	'O' Ring, Rotary (Inboard)	NBR EPDM FPM	2	1550.137	9630046511	5380.246	9630025417
				1555.137	9630046514	5380.250	9630025437
				1551.137	9630046513	5380.248	9630025398
6	Rotary Seal Ring (Inboard)	Stainless Steel Silicon Carbide	2	- R5610.113	- 9630031227	- R5610.114	- 9630031228
7	Washer	NBR FPM	2	6400.072	9630046538	6400.079	9630048006
				6400.076	9630046698	6400.080	9630048007
10	Rotary Seal Ring (Outboard)	Stainless Steel	2	R5610.119	9630030903	R5610.120	9630030904
11	'O' Ring Rotary (Outboard)	NBR EPDM FPM	2	5380.246	9630025417	1548.010	9630023338
				5380.250	9630025437	1555.234	9630022854
				5380.248	9630025398	1551.234	9630023452
12	'O' Ring Rotary (Outboard)	NBR EPDM FPM	2	1550.232	9630023371	1550.236	9630023373
				1555.232	9630019381	1555.236	9630059935
				1551.232	9630023449	1551.236	9630023453
14	Stat. Seal Ring (Outboard)	Carbon	2	R5630.089	9630045423	R5630.099	9630059589
15	'O' Ring, Stat. Seal Ring (outboard)	NBR EPDM FPM	2	5380.359	9630029276	5380.254	9630027486
				5380.363	9630029270	5380.258	9630029893
				5380.435	9630045583	5380.256	9630029897