

Operating Manual

R00 SINGLE FLUSHED SEAL (Complete Seal Part Nos) SX1-SX4 Pump Range

This seal is only available on the SX pump range

ITEM	DESCRIPTION
1	Wave spring
2	Squad ring
3	Rotary face
4	Cup seal
5	Static seat
6	Static seat 'O' ring
7	Flush sealing device
8	Circlip (pumps purchased after 1/11/02, circlip no longer part of seal due to re-design of lip seal)



Complete Seal Kit comprises of all items 1 - 8
*2 required per pump.

ROTARY FACE	STATIC SEAT	ELASTOMER	QTY*	SX1NLD and SX1WLD		SX2NLD and SX2WLD	
				PART No.	ITEM No.	PART No.	ITEM No.
Carbon	Stainless Steel	EP	1	7700.221E	TBA	7700.222E	9630094760
Carbon	Stainless Steel	Viton	1	7700.221V	TBA	7700.222V	9630092887
Carbon	Stainless Steel	Silicone	1	7700.221S	TBA	7700.222S	TBA
Carbon	Silicon Carbide	EP	1	7700.231E	TBA	7700.232E	9630094176
Carbon	Silicon Carbide	Viton	1	7700.231V	TBA	7700.232V	9630089032
Carbon	Silicon Carbide	Silicone	1	7700.231S	TBA	7700.232S	TBA
Silicon Carbide	Silicon Carbide	EP	1	7700.211E	TBA	7700.212E	
Silicon Carbide	Silicon Carbide	Viton	1	7700.211V	TBA	7700.212V	TBA
Silicon Carbide	Silicon Carbide	Silicone	1	7700.211S	TBA	7700.212S	TBA

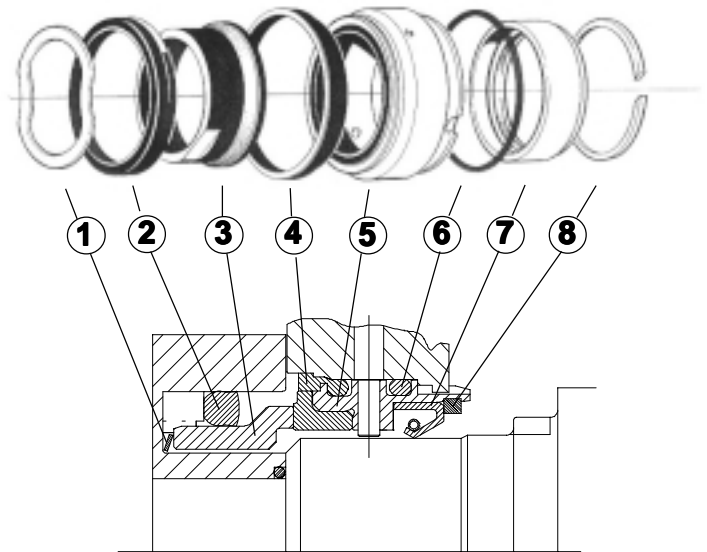
ROTARY FACE	STATIC SEAT	ELASTOMER	QTY*	SX3NLD and SX3WLD		SX4NLD and SX4WLD	
				PART No.	ITEM No.	PART No.	ITEM No.
Carbon	Stainless Steel	EP	1	7700.223E	TBA	7700.224E	TBA
Carbon	Stainless Steel	Viton	1	7700.223V	TBA	7700.224V	TBA
Carbon	Stainless Steel	Silicone	1	7700.223S	TBA	7700.224S	TBA
Carbon	Silicon Carbide	EP	1	7700.233E	9630090140	7700.234E	TBA
Carbon	Silicon Carbide	Viton	1	7700.233V		7700.234V	
Carbon	Silicon Carbide	Silicone	1	7700.233S	TBA	7700.234S	TBA
Silicon Carbide	Silicon Carbide	EP	1	7700.213E	9630088892	7700.214E	TBA
Silicon Carbide	Silicon Carbide	Viton	1	7700.213V		7700.214V	TBA
Silicon Carbide	Silicon Carbide	Silicone	1	7700.213S	TBA	7700.214S	TBA

Operating Manual

R00 SINGLE FLUSHED SEAL (Complete Seal Part Nos) SX5-SX7 Pump Range

This seal is only available on the SX pump range

ITEM	DESCRIPTION
1	Wave spring
2	Squad ring
3	Rotary face
4	Cup seal
5	Static seat
6	Static seat 'O' ring
7	Flush sealing device
8	Circlip (pumps purchased after 1/11/02, circlip no longer part of seal due to re-design of lip seal)



Complete Seal Kit comprises of all items 1 - 8
*2 required per pump.

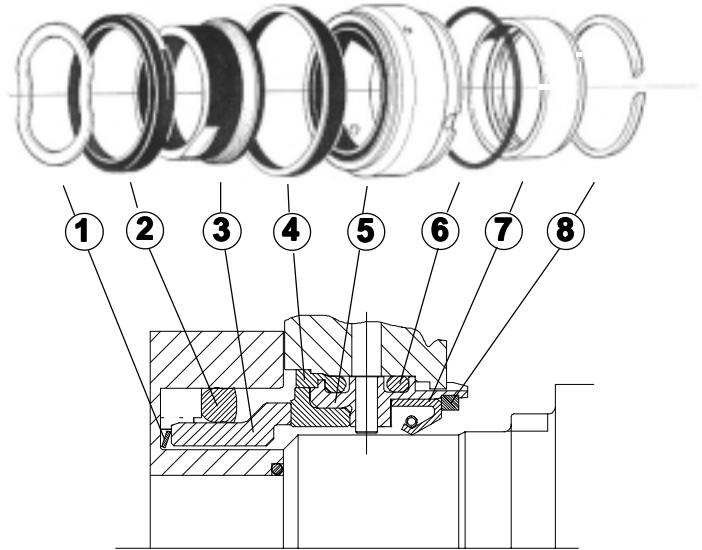
ROTARY FACE	STATIC SEAT	ELASTOMER	QTY*	SX5NLD and SX5WLD		SX6NLD and SX6WLD	
				PART No.	ITEM No.	PART No.	ITEM No.
Carbon	Stainless Steel	EP	1	7700.225E	TBA	7700.226E	TBA
Carbon	Stainless Steel	Viton	1	7700.225V	TBA	7700.226V	TBA
Carbon	Stainless Steel	Silicone	1	7700.225S	TBA	7700.226S	TBA
Carbon	Silicon Carbide	EP	1	7700.235E	TBA	7700.236E	TBA
Carbon	Silicon Carbide	Viton	1	7700.235V	7700-235V	7700.236V	TBA
Carbon	Silicon Carbide	Silicone	1	7700.235S	TBA	7700.236S	TBA
Silicon Carbide	Silicon Carbide	EP	1	7700.215E	TBA	7700.216E	TBA
Silicon Carbide	Silicon Carbide	Viton	1	7700.215V	7700-215V	7700.216V	TBA
Silicon Carbide	Silicon Carbide	Silicone	1	7700.215S	TBA	7700.216S	TBA

ROTARY FACE	STATIC SEAT	ELASTOMER	QTY*	SX7NLD and SX7WLD	
				PART No.	ITEM No.
Carbon	Stainless Steel	EP	1	7700.227E	TBA
Carbon	Stainless Steel	Viton	1	7700.227V	TBA
Carbon	Stainless Steel	Silicone	1	7700.227S	TBA
Carbon	Silicon Carbide	EP	1	7700.237E	TBA
Carbon	Silicon Carbide	Viton	1	7700.237V	7700-237V
Carbon	Silicon Carbide	Silicone	1	7700.237S	TBA
Silicon Carbide	Silicon Carbide	EP	1	7700.217E	TBA
Silicon Carbide	Silicon Carbide	Viton	1	7700.217V	7700-217V
Silicon Carbide	Silicon Carbide	Silicone	1	7700.217S	TBA

Operating Manual

R00 SINGLE FLUSHED MECHANICAL SEAL (Component Parts) SX1-SX2 Pump Range

ITEM	DESCRIPTION
1	Wave spring
2	Squad ring
3	Rotary face
4	Cup seal
5	Static seat
6	Static seat 'O' ring
7	Flush sealing device
8	Circlip (pumps purchased after 1/11/02, circlip no longer part of seal due to re-design of lip seal)



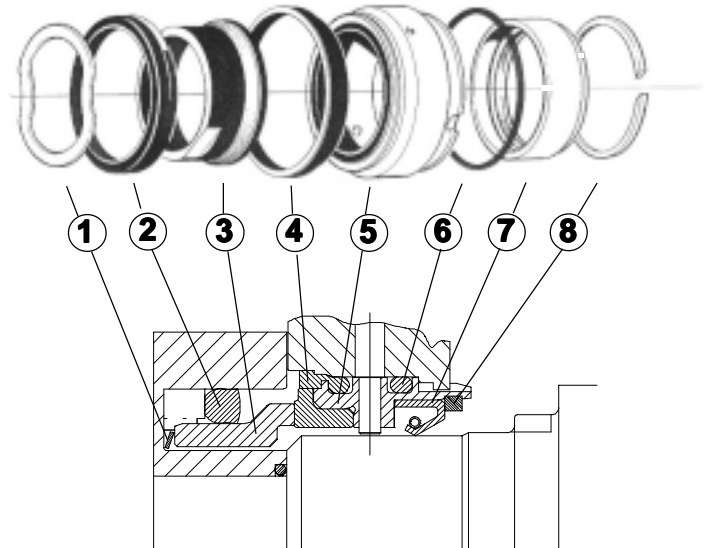
When needing to replace either the Rotary Face (3) or Static Seat (5), both parts should be renewed at the same time.
*2 required per pump.

DRAWING ITEM No.	DESCRIPTION	QTY*	SX1NLD and SX1WLD		SX2NLD and SX2WLD	
			PART No.	ITEM No.	PART No.	ITEM No.
1	Wave spring	1	R6300.051	9630075413	R6300.052	9630075425
2	Squad ring EP Viton Silicone	1	5383.105	9630069434	5383.205	9630069435
		1	5383.101	9630069440	5383.201	9630069654
		1	5383.104	9630069437	5383.204	9630069438
3	Rotary face Carbon Silicon Carbide	1	R5610.141	9630075409	R5610.142	9630075423
		1	R5610.121	9630069795	R5610.122	9630069796
4	Cup seal EP Viton Silicone	1	5382.105	9630096424	5382.205	9630096425
		1	5382.101	9630069429	5382.201	9630069430
		1	5382.104	9630069427	5382.204	9630069428
5	Static seat Stainless Steel Silicon Carbide	1	R5630.171	9630075645	R5630.172	9630075646
		1	R5630.111	9630069802	R5630.122	9630069810
6	Static seat 'O' ring EP Viton Silicone	1	1555.123	9630037138	1555.131	9630023531
		1	1551.123	9630037140	1551.131	9630023418
		1	1554.123	9630043327	1554.131	9630074739
7	Flush sealing device Viton	1	5320.021	9630075620	5320.022	9630075621
8	Circlip (pumps purchased after 1/11/02, circlip no longer part of seal due to re-design of lip seal)	1	5100.021	9630075613	5100.022	9630075614

Operating Manual

R00 SINGLE FLUSHED MECHANICAL SEAL (Component Parts) SX3-SX4 Pump Range

ITEM	DESCRIPTION
1	Wave spring
2	Squad ring
3	Rotary face
4	Cup seal
5	Static seat
6	Static seat 'O' ring
7	Flush sealing device
8	Circlip (pumps purchased after 1/11/02, circlip no longer part of seal due to re-design of lip seal)



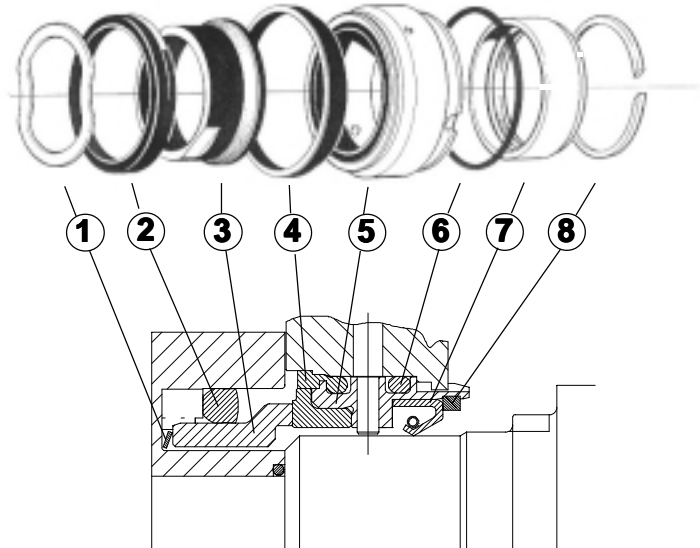
When needing to replace either the Rotary Face (3) or Static Seat (5), both parts should be renewed at the same time.
*2 required per pump.

DRAWING ITEM No.	DESCRIPTION	QTY*	SX3NLD and SX3WLD		SX4NLD and SX4WLD	
			PART No.	ITEM No.	PART No.	ITEM No.
1	Wave spring	1	R6300.053	9630075429	R6300.054	9630075433
2	Squad ring	EP	1 5383.305	9630069433	5383.405	9630069436
		Viton	1 5383.301	9630069442	5383.401	9630069444
		Silicone	1 5383.304	9630069439	5383.404	9630069443
3	Rotary face	Carbon	1 R5610.143	R5610-143	R5610.144	9630075431
		Silicon Carbide	1 R5610.123	9630069797	R5610.124	9630069798
4	Cup seal	EP	1 5282.305	9630069421	5282.405	9630096426
		Viton	1 5382.301	9630069423	5382.401	9630069432
		Silicone	1 5382.304	9630069422	5382.404	9630069431
5	Static seat	Stainless Steel	1 R5630.173	9630075647	R5630.174	9630075648
		Silicon Carbide	1 R5630.113	R5630-113	R5630.114	9630069805
6	Static seat 'O' ring	EP	1 1555.134	8831555134	1555.144	8831555144
		Viton	1 1551.134	8831551134	1551.144	8831551144
		Silicone	1 1554.134	9630074204	1554.144	9630071262
7	Flush sealing device	Viton	1 5320.023	5320-023	5320.024	9630075623
8	Circlip (pumps purchased after 1/11/02, circlip no longer part of seal due to re-design of lip seal)	1	5100.023	9630075615	5100.024	9630075616

Operating Manual

R00 SINGLE FLUSHED MECHANICAL SEAL (Component Parts) SX5-SX6 Pump Range

ITEM	DESCRIPTION
1	Wave spring
2	Squad ring
3	Rotary face
4	Cup seal
5	Static seat
6	Static seat 'O' ring
7	Flush sealing device
8	Circlip (pumps purchased after 1/11/02, circlip no longer part of seal due to re-design of lip seal)



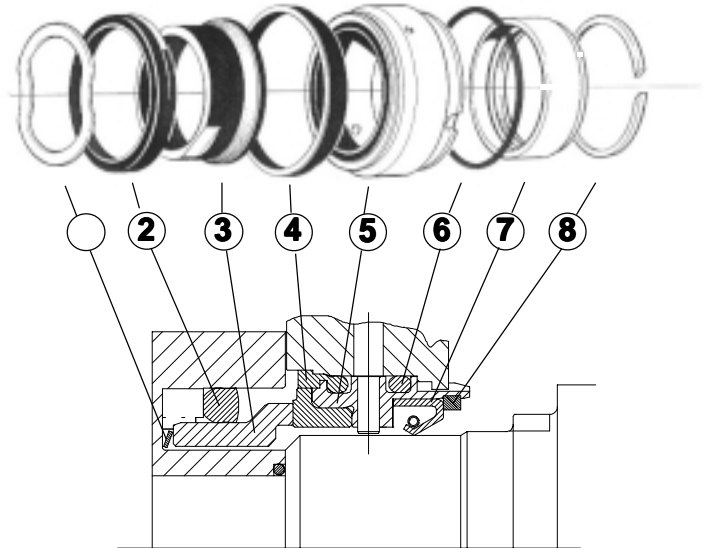
When needing to replace either the Rotary Face (3) or Static Seat (5), both parts should be renewed at the same time.
*2 required per pump.

DRAWING ITEM No.	DESCRIPTION	QTY*	SX5NLD and SX5WLD		SX6NLD and SX6WLD		
			PART No.	ITEM No.	PART No.	ITEM No.	
1	Wave spring	1	R6300.055	9630075437	R6300.056	9630075441	
2	Squad ring	1	EP	5383.505	9630069867	5383.605	9630069870
			Viton	5383.501	9630069868	5383.601	9630069872
			Silicone	5383.504	9630069869	5383.604	9630069873
3	Rotary face	1	Carbon	R5610.145	9630075435	R5610.146	9630075439
			Silicon Carbide	R5610.125	9630069799	R5610.126	9630069800
4	Cup seal	1	EP	5382.505	9630069858	5382.605	9630069859
			Viton	5382.501	9630069861	5382.601	9630069863
			Silicone	5382.504	9630069862	5382.604	9630069864
5	Static seat	1	Stainless Steel	R5630.175	9630075649	R5630.176	9630075650
			Silicon Carbide	R5630.115	9630069806	R5630.116	9630069807
6	Static seat 'O' ring	1	EP	1555.234	9630022854	1555.238	9630037171
			Viton	1551.234	9630023452	1551.238	9630037174
			Silicone	1554.234	9630042618	1554.238	9630074740
7	Flush sealing device	1	Viton	5320.025	9630075624	5320.026	9630075625
8	Circlip (pumps purchased after 1/11/02, circlip no longer part of seal due to re-design of lip seal)	1		5100.025	9630075617	5100.026	9630075618

Operating Manual

R00 SINGLE FLUSHED MECHANICAL SEAL (Component Parts) SX7 Pump Range

ITEM	DESCRIPTION
1	Wave spring
2	Squad ring
3	Rotary face
4	Cup seal
5	Static seat
6	Static seat 'O' ring
7	Flush sealing device
8	Circlip (pumps purchased after 1/11/02, circlip no longer part of seal due to re-design of lip seal)



When needing to replace either the Rotary Face (3) or Static Seat (5), both parts should be renewed at the same time.
*2 required per pump.

DRAWING ITEM No.	DESCRIPTION	QTY*	SX7NLD and SX7WLD	
			PART No.	ITEM No.
1	Wave spring	1	R6300.057	9630075444
2	Squad ring	EP	1 5383.705	9630069871
		Viton	1 5383.701	9630069875
		Silicone	1 5383.704	9630069874
3	Rotary face	Carbon	1 R5610.147	9630075446
		Silicon Carbide	1 R5610.127	9630069801
4	Cup seal	EP	1 5382.705	9630096860
		Viton	1 5382.701	9630069865
		Silicone	1 5382.704	9630069866
5	Static seat	Stainless Steel	1 R5630.177	9630075651
		Silicon Carbide	1 R5630.117	9630069808
6	Static seat 'O' ring	EP	1 1555.244	9630037180
		Viton	1 1551.244	9630037183
		Silicone	1 1554.244	9630043332
7	Flush sealing device	Viton	1 5320.027	9630075626
8	Circlip (pumps purchased after 1/11/02, circlip no longer part of seal due to re-design of lip seal)	1	5100.027	9630075619