



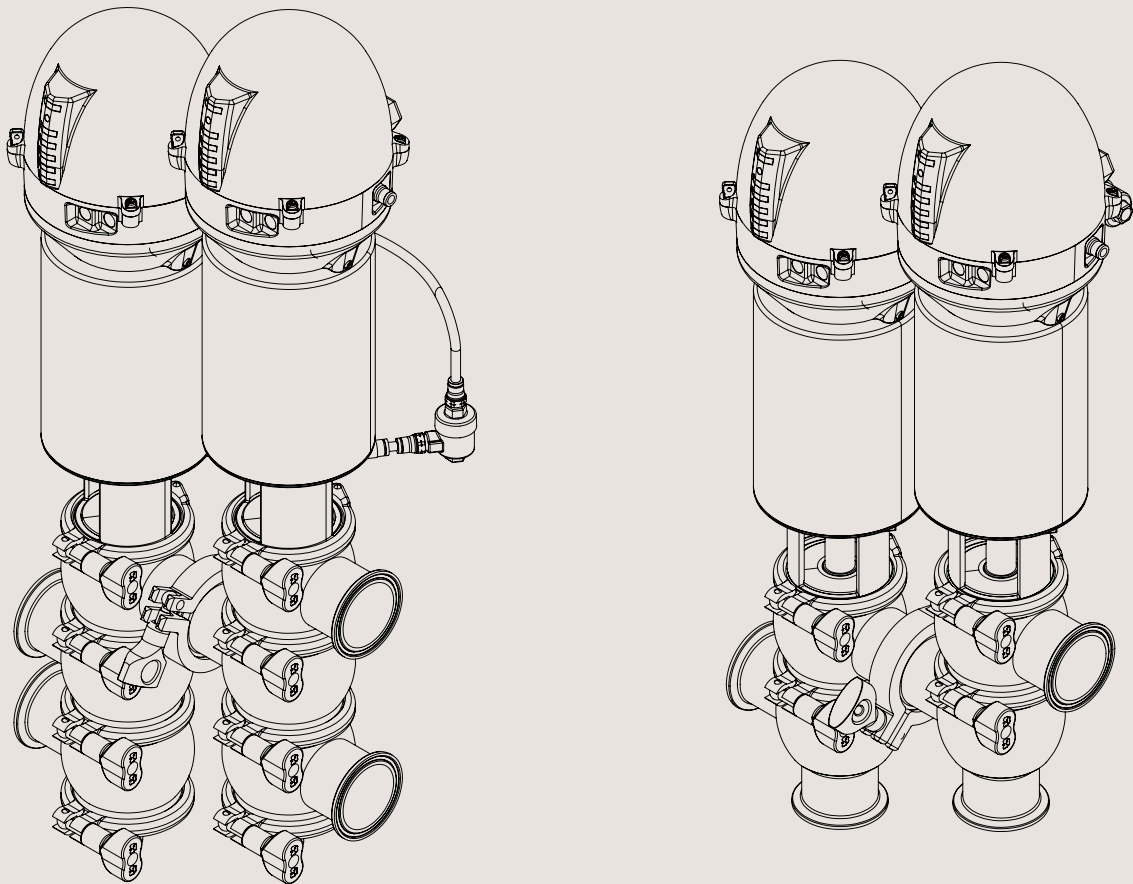
RODEM[®]

PROCESS EQUIPMENT

www.rodem.com 800-543-7312

Spare Parts

Unique 7000 Flo-Diversion Valve



2016 01

The information herein is correct at the time of issue but may be subject to change without prior notice.

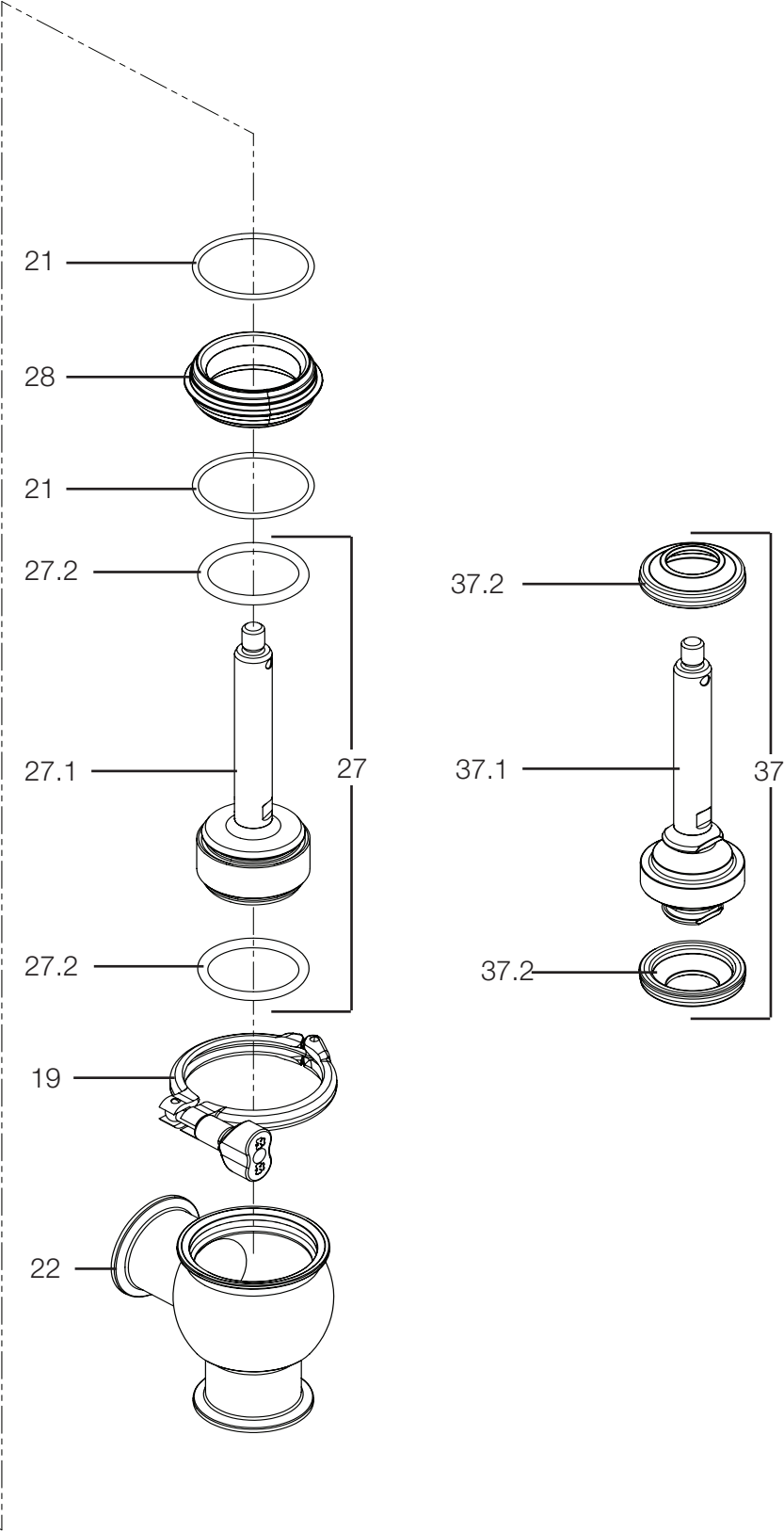
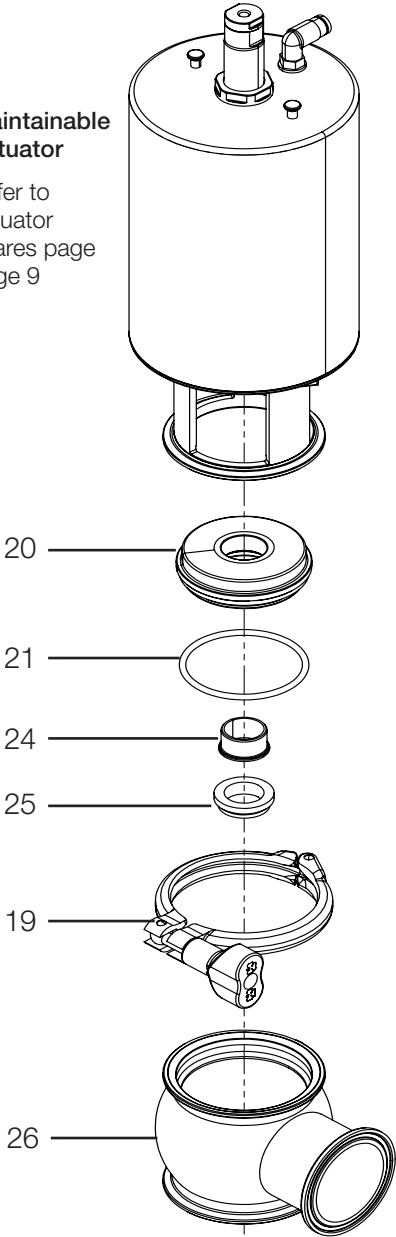
Spare Parts List

Unique 7000 Standard Flow Diversion Valve Exploded View.....5
Unique 7000 Standard Flow Diversion Valve Part Numbers6
Reverse-Acting Valve Spares Exploded View.....7
Reverse-Acting Valve Spare Part Numbers.....8
Failed Closed Actuator for Reverse Acting Exploded View.....9
Failed Open Actuator for Standard Exploded View9
Unique 7000 Maintainable Actuator - Flow Diversion Valve Part Numbers10
ThinkTop Exploded View11
ThinkTop Part Numbers12

Unique 7000 Standard Flow Diversion Valve Exploded View

Maintainable Actuator

Refer to actuator spares page 9

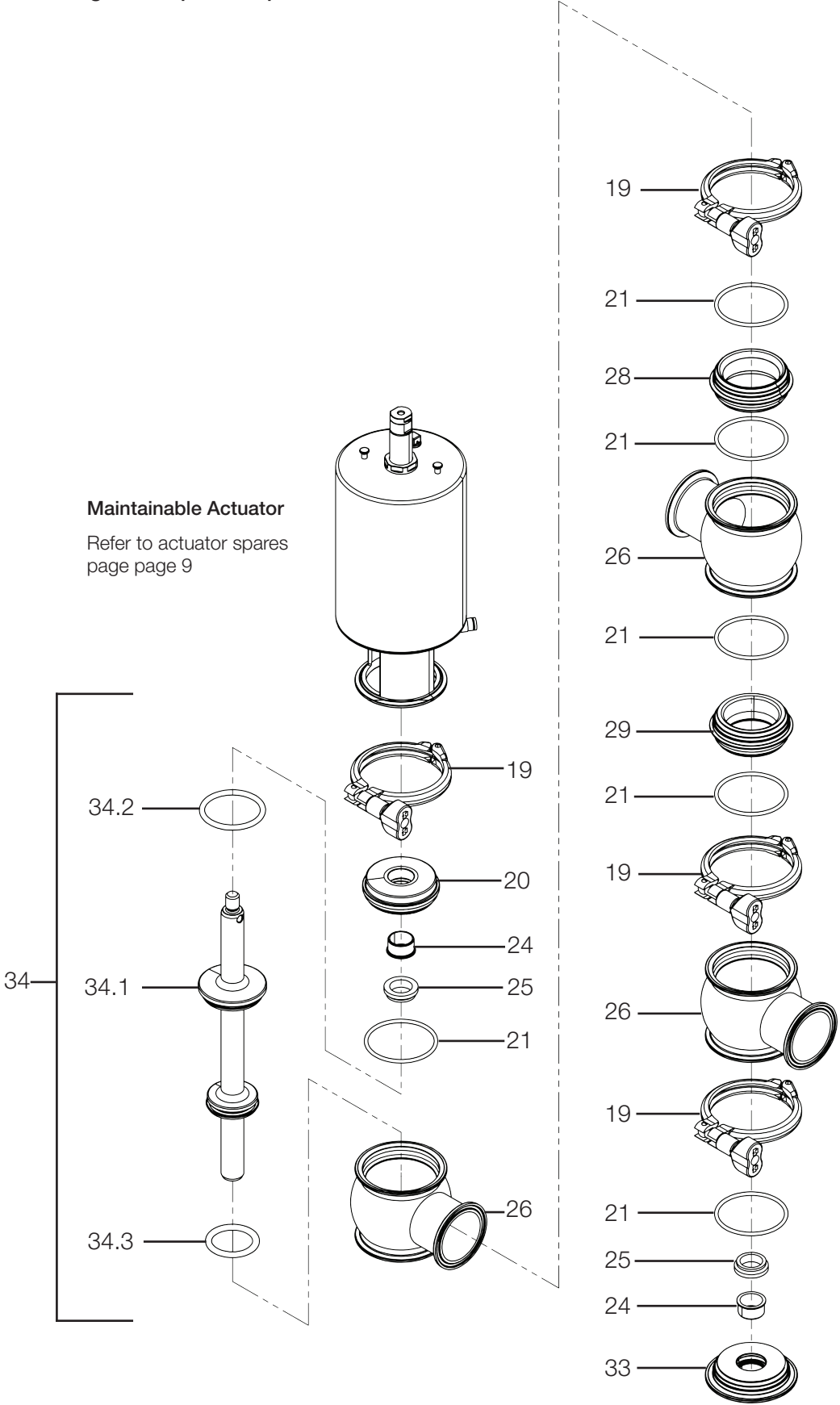


Spare Parts List

Unique 7000 Standard Flow Diversion Valve Part Numbers

Pos	Qty	Denomination	1-½"	2"	2-½"	3"
Clamp						
19	2	Clamp.....	9612-9393-16	9612-9393-17	9612-9393-18	9612-9393-19
Bonnet						
20	1	Bonnet.....	9613-1271-02	9613-1271-03	9613-1271-04	9613-1271-05
21	◆ 3	O-ring, EPDM.....				
	3	O-ring, HNBR.....				
	3	O-ring, FPM.....				
		O-ring, set (10 pcs.) EPDM.....	9614-0594-22	9614-0594-25	9614-0594-28	9614-0594-31
		O-ring, set (10 pcs.) HNBR.....	9614-0594-23	9614-0594-26	9614-0594-29	9614-0594-32
		O-ring, set (10 pcs.) FPM.....	9614-0594-24	9614-0594-27	9614-0594-30	9614-0594-33
24	1	Bushing.....	9613-1250-02	9613-1250-02	9613-1250-02	9613-1250-02
25	◆ 2	Lip Seal, EPDM.....				
	2	Lip Seal, HNBR.....				
	2	Lip Seal, FPM.....				
		Lip Seal, set (10 pcs.) EPDM.....	9614-0594-19	9614-0594-19	9614-0594-19	9614-0594-19
		Lip Seal, set (10 pcs.) HNBR.....	9614-0594-20	9614-0594-20	9614-0594-20	9614-0594-20
		Lip Seal, set (10 pcs.) FPM.....	9614-0594-21	9614-0594-21	9614-0594-21	9614-0594-21
Seat						
28	1	Seat, Upper.....	9613-1275-02	9613-1275-03	9613-1275-04	9613-1275-05
Valve Body						
26	1	Valve body, upper, 1 port, clamp.....	9634-0955-50	9613-1615-05	9613-1615-07	9613-1615-09
22	1	Valve body, lower, 2 port, clamp.....	9634-0955-49	9613-1616-05	9613-1616-07	9613-1616-09
Valve Plug - Elastomer (STD)						
27	1	Plug, ISO, complete, EPDM.....	9613-1277-02	9613-1277-03	9613-1277-04	9613-1277-05
	1	Plug, ISO, complete, HNBR.....	9613-1277-14	9613-1277-15	9613-1277-16	9613-1277-17
	1	Plug, ISO, complete, FPM.....	9613-1277-26	9613-1277-27	9613-1277-28	9613-1277-29
27.1	1	Plug, ISO.....	9613-1400-02	9613-1400-03	9613-1400-04	9613-1400-05
27.2	◆ 2	Plug seal, EPDM.....				
	2	Plug seal, HNBR.....				
	2	Plug seal, FPM.....				
		Plug seal, set (10 pcs.) EPDM.....	9614-0594-04	9614-0594-07	9614-0594-10	9614-0594-13
		Plug seal, set (10 pcs.) HNBR.....	9614-0594-05	9614-0594-08	9614-0594-11	9614-0594-14
		Plug seal, set (10 pcs.) FPM.....	9614-0594-06	9614-0594-09	9614-0594-12	9614-0594-15
Valve Plug - TR2 (Optional)						
37	1	Plug, complete.....	9613-1555-02	9613-1555-03	9613-1555-04	9613-1555-05
37.1	1	Plug.....	9613-1554-01	9613-1555-02	9613-1554-03	9613-1554-04
37.2	◆ 2	Plug seal, PTFE TR-2.....				
		Plug seal, set (10 pcs.) PTFE TR-2.....	9614-0594-49	9614-0594-50	9614-0594-51	9614-0594-52
			1-½"	2"	2-½"	3"
Product wetted parts service kit						
◆		Service Kit, EPDM.....	9611-92-6580	9611-92-6581	9611-92-6582	9611-92-6583
◆		Service Kit, HNBR.....	9611-92-6586	9611-92-6587	9611-92-6588	9611-92-6590
◆		Service Kit, FPM.....	9611-92-6592	9611-92-6593	9611-92-6594	9611-92-6595
◆		Service Kit, TR2 w/ EPDM.....	9611-92-6633	9611-92-6634	9611-92-6635	9611-92-6636
◆		Service Kit, TR2 w/ HNBR.....	9611-92-6638	9611-92-6639	9611-92-6640	9611-92-6641
◆		Service Kit, TR2 w/ FPM.....	9611-92-6643	9611-92-6644	9611-92-6645	9611-92-6646

Reverse-Acting Valve Spares Exploded View



Spare Parts List

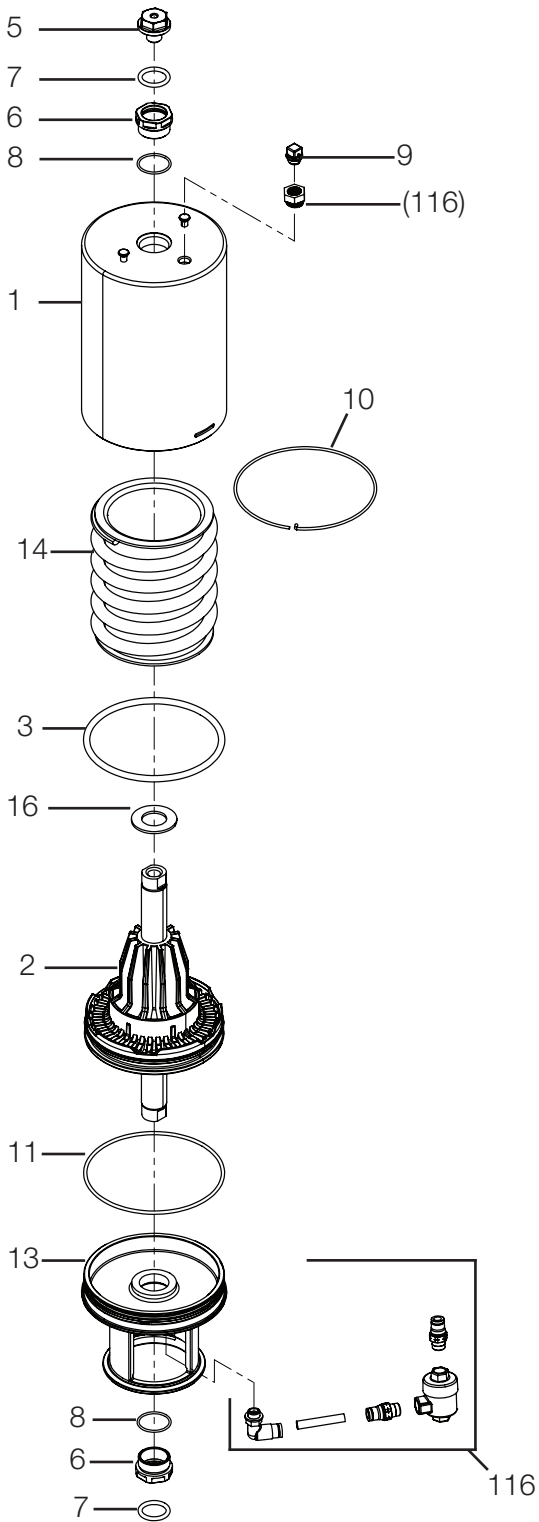
Reverse-Acting Valve Spare Part Numbers

Pos	Qty	Denomination	2"	2-½"	3"	4"
Clamp						
19	4	Clamp.....	9612-9393-17	9612-9393-18	9612-9393-19	9612-9393-20
Bonnet						
20	1	Upper Bonnet.....	9613-1271-03	9613-1271-04	9613-1271-05	9613-1271-06
21	◆ 6	O-ring, EPDM.....				
	6	O-ring, HNBR.....				
	6	O-ring, FPM.....				
		O-ring, set (10 pcs.) EPDM.....	9614-0594-25	9614-0594-28	9614-0594-31	9614-0594-34
		O-ring, set (10 pcs.) HNBR.....	9614-0594-26	9614-0594-29	9614-0594-32	9614-0594-35
		O-ring, set (10 pcs.) FPM.....	9614-0594-27	9614-0594-30	9614-0594-33	9614-0594-36
24	2	Bushing.....	9613-1250-02	9613-1250-02	9613-1250-02	9613-1250-02
25	◆ 2	Lip Seal, EPDM.....				
	2	Lip Seal, HNBR.....				
	2	Lip Seal, FPM.....				
		Lip Seal, set (10 pcs.) EPDM.....	9614-0594-19	9614-0594-19	9614-0594-19	9614-0594-19
		Lip Seal, set (10 pcs.) HNBR.....	9614-0594-20	9614-0594-20	9614-0594-20	9614-0594-20
		Lip Seal, set (10 pcs.) FPM.....	9614-0594-21	9614-0594-21	9614-0594-21	9614-0594-21
33	1	Lower Bonnet.....	9634-0921-01	9634-0921-02	9634-0921-03	9634-0921-04
Seat						
28	1	Seat, Upper.....	9613-1275-03	9613-1275-04	9613-1275-05	9613-1275-06
29	1	Seat, Lower.....	9634-0920-01	9634-0920-02	9634-0920-03	9634-0920-04
Valve Body						
26	3	Valve body, upper, 1 port, clamp.....	9613-1615-05	9613-1615-07	9613-1615-09	9613-1615-11
	3	Valve body - tangential, upper, 1 port, clamp.....	9613-1690-02	9613-1690-04	9613-1690-06	9613-1690-08
Valve Plug						
34	1	Plug, RA-FDV, complete, EPDM.....	9614-2587-01	9614-2587-02	9614-2587-03	9614-2587-04
	1	Plug, RA-FDV, complete, HNBR.....	9614-2587-05	9614-2587-06	9614-2587-07	9614-2587-08
	1	Plug, RA-FDV, complete, FPM.....	9614-2587-09	9614-2587-10	9614-2587-11	9614-2587-12
34.1	1	Plug, RA-FDV.....	9634-0911-01	9634-0911-02	9634-0911-03	9634-0911-04
34.2	◆ 1	Plug seal, Upper, EPDM.....				
	1	Plug seal, Upper, HNBR.....				
	1	Plug seal, Upper, FPM.....				
		Plug seal, Upper, set (10 pcs.) EPDM.....	9614-0594-07	9614-0594-10	9614-0594-13	9614-0594-16
		Plug seal, Upper, set (10 pcs.) HNBR.....	9614-0594-08	9614-0594-11	9614-0594-14	9614-0594-17
		Plug seal, Upper, set (10 pcs.) FPM.....	9614-0594-09	9614-0594-12	9614-0594-15	9614-0594-18
34.3	◆ 1	Plug seal, Lower, EPDM.....				
	1	Plug seal, Lower, HNBR.....				
	1	Plug seal, Lower, FPM.....				
		Plug seal, Lower, set (10 pcs.) EPDM.....	9614-0594-04	9614-0594-07	9614-0594-10	9614-0594-13
		Plug seal, Lower, set (10 pcs.) HNBR.....	9614-0594-05	9614-0594-08	9614-0594-11	9614-0594-14
		Plug seal, Lower, set (10 pcs.) FPM.....	9614-0594-06	9614-0594-09	9614-0594-12	9614-0594-15

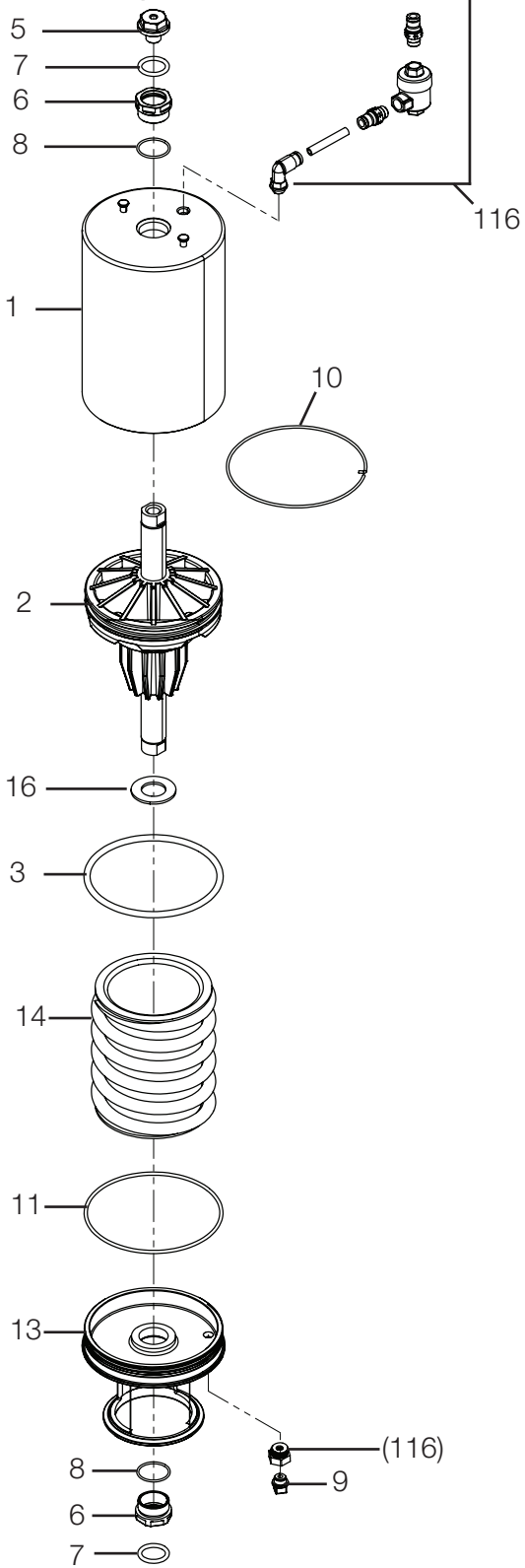
Product Wetted Parts - order the below position numbers in 10 pcs. sets, according to valve size and elastomer type as listed above

- 21 ◆ O-ring, 10 pcs. set
- 25 ◆ Lip Seal, 10 pcs. set
- 34.2 ◆ Plug seal, Upper, 10 pcs. set
- 34.3 ◆ Plug seal, Lower, 10 pcs. set

Failed Closed Actuator for Reverse Acting
Exploded View



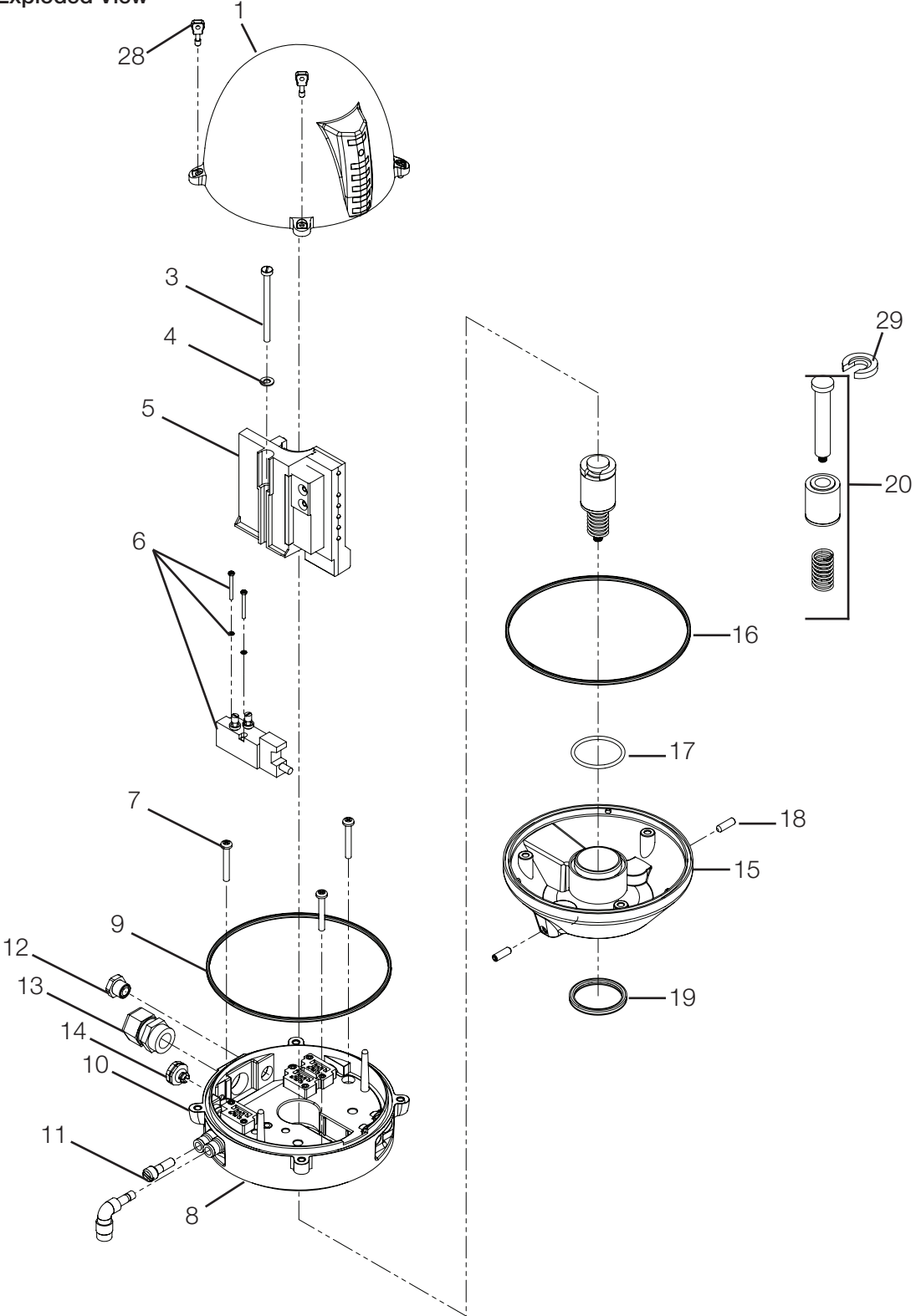
Failed Open Actuator for Standard
Exploded View



Unique 7000 Maintainable Actuator - Flow Diversion Valve Part Numbers

Pos	Qty	Denomination	1-½"	2"	2-½"	3"	4"
Actuator							
		Actuator, - complete (NC)	NA	9634-0938-01	9634-0938-02	9634-0938-03	9634-0938-04
		Actuator, - complete (NO)	9634-0938-05	9634-0938-06	9634-0938-07	9634-0938-08	NA
1	1	Cylinder, (polished)	9615-2204-04	9615-2204-05	9615-2204-05	9615-2204-06	9615-2204-06
2	1	Piston	9613-1322-01	9613-1323-01	9613-1323-01	9613-1324-01	9613-1324-01
3	◆ 1	O-ring					
5	1	Adapter, steel	9614-0653-01	9614-0653-01	9614-0653-01	9614-0653-01	9614-0653-01
6	◆ 2	Bushing					
7	◆ 2	O-ring					
8	◆ 2	O-ring					
9	1	Plug	9613-4141-01	9613-4141-01	9613-4141-01	9613-4141-01	9613-4141-01
10	1	Lock wire	9613-1432-01	9613-1432-02	9613-1432-02	9613-1432-03	9613-1432-03
11	◆ 1	O-ring					
116	1	Kit, Quick Exhaust	9615-2282-01	9615-2282-01	9615-2282-01	9615-2282-01	9615-2282-01
14	1	Spring assembly	9613-1325-01	9613-1325-02	9613-1325-02	9613-1325-03	9613-1325-03
15	1	Bottom	9615-2205-01	9615-2205-02	9615-2205-02	9615-2205-03	9615-2205-03
16	◆ 1	Support disc					
Yoke							
13	1	Yoke	9613-1543-01	9613-1544-02	9613-1545-02	9613-1546-03	9613-1547-03
Service Kit for Actuator							
			1-½"	2"	2-½"	3"	4"
◆		Service kit, NO , NC	9611-92-6497	9611-92-6498	9611-92-6498	9611-92-6499	9611-92-6499

ThinkTop Exploded View



ThinkTop for 7000 FDV. Digital top with or without (1) solenoid. Standard parts except for special magnet assembly. Magnet assembly allows insert of "test gauge" to change setting position. Also, eyelet cover screws allows (position 2) the addition of seal wire to secure top and to be added by inspector.

ThinkTop Part Numbers

Pos	Qty	Denomination	Description
		ThinkTop Complete, 0SOL Digital 24VDC	9634-0939-01
		ThinkTop Complete, 1SOL Digital 24VDC	9634-0939-02
1	1	Shell complete	9613-4279-01
28	2	Tamper proof screw	9634-0910-01
3	1	Screw	9611-9934-58
4	1	Washer	9611-9934-59
5	1	Sensor board, Digital 8-30 VDC PNP/NPN	9613-4434-01
6	1	Solenoid valve, 3/2, 24 VDC	9611-9933-24
7	3	PT screw	9611-9934-57
8	1	Base, complete, no solenoids	9613-4282-01
		(Pos. 9, 12,13, 14 included)	
	1	Base, complete, 3/3 24 VDC, one solenoid	9613-4282-02
		(Pos. 9, 10, 11, 12,13, 14 included)	
9	1	Special X-ring, grey	9613-4564-01
10	1	Air fitting, elbow, metal plug with grey rim: Ø6 mm / 1/4"	9611-9956-79
11	1	Blow-off valve	9612-5636-01
12	1	Thread plug, PG7 Ø3-Ø6.5 mm	9611-9934-07
13	1	Cable gland, PG11 Ø4-Ø10 mm	9611-9935-17
14	1	Gore vent High airflow	9611-9947-22
15	1	Adapter complete	9612-5621-01
16	1	Special X-ring	9612-9994-01
17	1	O-ring	9611-9933-50
18	2	Allen screw	9611-9934-09
19	1	Special X-ring	9612-5696-01
20	1	Indicator pin, complete	9615-2281-01
29	1	Test washer	9634-0928-02

How to contact Alfa Laval

Contact details for all countries are continually updated on our website.

Please visit www.alfalaval.us to access the information directly.

© Alfa Laval Corporate AB

This document and its contents is owned by Alfa Laval Corporate AB and protected by laws governing intellectual property and thereto related rights. It is the responsibility of the user of this document to comply with all applicable intellectual property laws. Without limiting any rights related to this document, no part of this document may be copied, reproduced or transmitted in any form or by any means (electronic, mechanical, photocopying, recording, or otherwise), or for any purpose, without the expressed permission of Alfa Laval Corporate AB. Alfa Laval Corporate AB will enforce its rights related to this document to the fullest extent of the law, including the seeking of criminal prosecution.