

TD 461-425

Pos.	Qty	Denomination	1½"	2"
Actuator				
		Actuator, complete (NO)	9613-1548-46	9613-1548-47
		Actuator, complete (NC)	9613-1548-51	9613-1548-52
		Actuator, complete (A/A).....	9613-1548-56	9613-1548-57
	5	Adapter	9613-1274-01	9613-1274-01
☐	6	Bushing.....		
☐	7	O-ring.....		
☐	8	O-ring		
	9	Plug	9613-4141-01	9613-4141-01
	12	Air fitting	9611-99-4682	9611-99-4682
Clamp				
	19	Clamp	9612-9393-16	9612-9393-17
Bonnet				
	20	Bonnet	9613-1271-02	9613-1271-03
▲	21	O-ring, EPDM (standard)		
		O-ring, NBR		
		O-ring, FPM		
	24	Bushing.....	9613-1250-02	9613-1250-02
▲	25	Lip seal, EPDM (standard)		
		Lip seal, NBR		
		Lip seal, FPM		
Valve Body				
	22	Valve body, lower, 2 ports, clamp	9613-1616-03	9613-1616-05
		Valve body, lower, 3 ports, clamp	9613-1616-04	9613-1616-06
		Valve body, lower, 2 ports, weld.....	9613-1395-15	9613-1395-17
		Valve body, lower, 3 ports, weld.....	9613-1395-16	9613-1395-18
Valve Plug				
	23	Plug, shut off, complete, EPDM (standard)	9613-1619-02	9613-1619-03
		Plug, shut off, complete, HNBR.....	9613-1619-08	9613-1619-09
		Plug, shut off, complete, FPM	9613-1619-14	9613-1619-15
	23.1	Plug, shut off	9613-1590-01	9613-1591-01
▲	23.2	Plug seal, EPDM (standard)		
		Plug seal, HNBR		
		Plug seal, FPM		

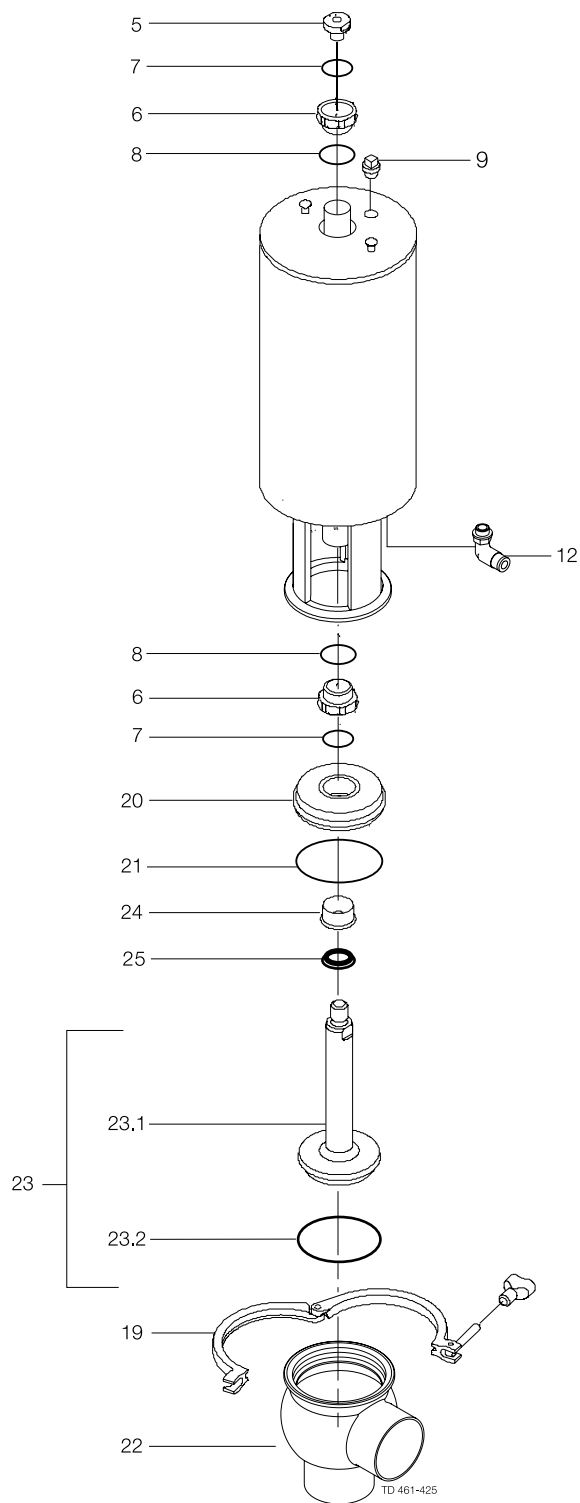
Recommended spare parts

Service kits				
☐		Service kit, actuator.....	9611-92-6500	9611-92-6500
▲		Service kit, EPDM.....	9611-92-6502	9611-92-6503
▲		Service kit, HNBR.....	9611-92-6508	9611-92-6509
▲		Service kit, FPM	9611-92-6514	9611-92-6515

Parts marked with ☐ are included in the service kits (actuator)

Parts marked with ▲ are included in the service kits (product wetted parts)

Tool for bushing (pos. 24) 9613-1609-01



TD 461-425

Pos.	Qty	Denomination	2½"	3"	4"
Actuator					
		Actuator, complete (NO)	9613-1548-48	9613-1548-49	9613-1548-50
		Actuator, complete (NC)	9613-1548-53	9613-1548-54	9613-1548-55
		Actuator, complete (A/A).....	9613-1548-58	9613-1548-59	9613-1548-60
	5	Adapter	9613-1274-01	9613-1274-01	9613-1274-01
☐	6	Bushing.....			
☐	7	O-ring.....			
☐	8	O-ring			
	9	Plug	9613-4141-01	9613-4141-01	9613-4141-01
	12	Air fitting	9611-99-4682	9611-99-4682	9611-99-4682
Clamp					
	19	Clamp	9612-9393-18	9612-9393-19	9612-9393-20
Bonnet					
	20	Bonnet	9613-1271-04	9613-1271-05	9613-1271-06
▲	21	O-ring, EPDM (standard)			
		O-ring, NBR			
		O-ring, FPM			
	24	Bushing.....	9613-1250-02	9613-1250-02	9613-1250-02
▲	25	Lip seal, EPDM (standard)			
		Lip seal, NBR			
		Lip seal, FPM			
Valve Body					
	22	Valve body, lower, 2 ports, clamp	9613-1616-07	9613-1616-09	9613-1616-11
		Valve body, lower, 3 ports, clamp	9613-1616-08	9613-1616-10	9613-1616-12
		Valve body, lower, 2 ports, weld.....	9613-1395-19	9613-1395-21	9613-1395-23
		Valve body, lower, 3 ports, weld	9613-1395-20	9613-1395-22	9613-1395-24
Valve Plug					
	23	Plug, shut off, complete, EPDM (std)	9613-1619-04	9613-1619-05	9613-1619-06
		Plug, shut off, complete, HNBR.....	9613-1619-10	9613-1619-11	9613-1619-12
		Plug, shut off, complete, FPM	9613-1619-16	9613-1619-17	9613-1619-18
	23.1	Plug, shut off	9613-1592-01	9613-1593-01	9613-1398-06
▲	23.2	Plug seal, EPDM (standard)			
		Plug seal, HNBR			
		Plug seal, FPM			

Recommended spare parts

Service kits					
☐		Service kit, actuator.....	9611-92-6500	9611-92-6500	9611-92-6500
▲		Service kit, EPDM.....	9611-92-6504	9611-92-6505	9611-92-6506
▲		Service kit, HNBR.....	9611-92-6510	9611-92-6511	9611-92-6512
▲		Service kit, FPM	9611-92-6516	9611-92-6517	9611-92-6518

Parts marked with ☐ are included in the service kits (actuator)

Parts marked with ▲ are included in the service kits (product wetted parts)

Tool for bushing (pos. 24) 9613-1609-01