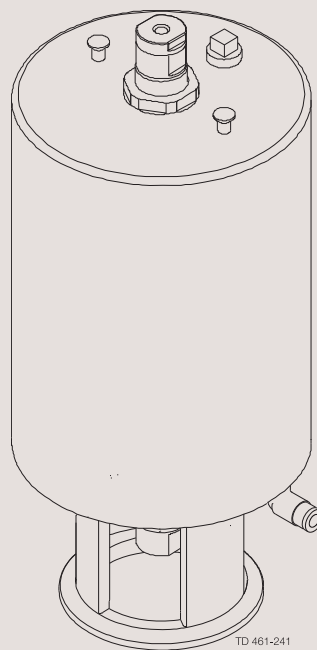




Spare Parts

Unique SSV - maintainable actuator



ESE00538-ENUS5

2020-07

Original manual

Table of contents

The information herein is correct at the time of issue but may be subject to change without prior notice

1. Important information	4
2. Maintainable actuator	6
3. High pressure maintainable/non-maintainable actuator	8
4. Mounting tool	10

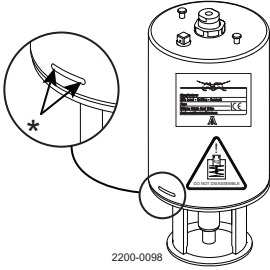
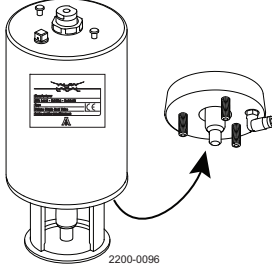
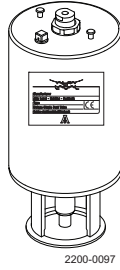
1 Important information

Different actuator types for the SSV valve

In June 2016 the below change was implemented and the “removable yoke with bolts” version is thereby phased out and replaced by the “yoke without bolts” version.

NOTE

It is important to check for warnings marked on the actuator when servicing an actuator - see below table.

<p>Actuator type</p>	<p>Non-maintainable actuator Spring under load and CANNOT be opened</p>  <p>*) Lock wire opening is locked when warning is marked on actuator</p>	<p>Fully maintainable actuator Spring cage and can be opened</p> 	<p>Fully maintainable actuator Spring cage and can be opened</p> 
<p>Yoke type</p>	<p>Non-removable yoke</p>	<p>“Removable yoke with bolts”. If the yoke with bolts is damaged it has to be replaced by the “yoke without bolts”</p>	<p>“Yoke without bolts”</p>
<p>Service</p>	<p>Not possible to service internally (it is not possible to change piston O-rings)</p>	<p>Yes</p>	<p>Yes</p>
<p>Marked with warnings</p>	<p>Yes</p>	<p>No</p>	<p>No</p>
<p>Year of production</p>	<p>From 2006</p>	<p>From 2006 to June 2016</p>	<p>From June 2016</p>

Maintainable actuator

If the actuator is marked with a danger warning do **NOT** attempt to cut the actuator open.



Do **NOT** attempt to disassemble the actuator due to spring under load danger.

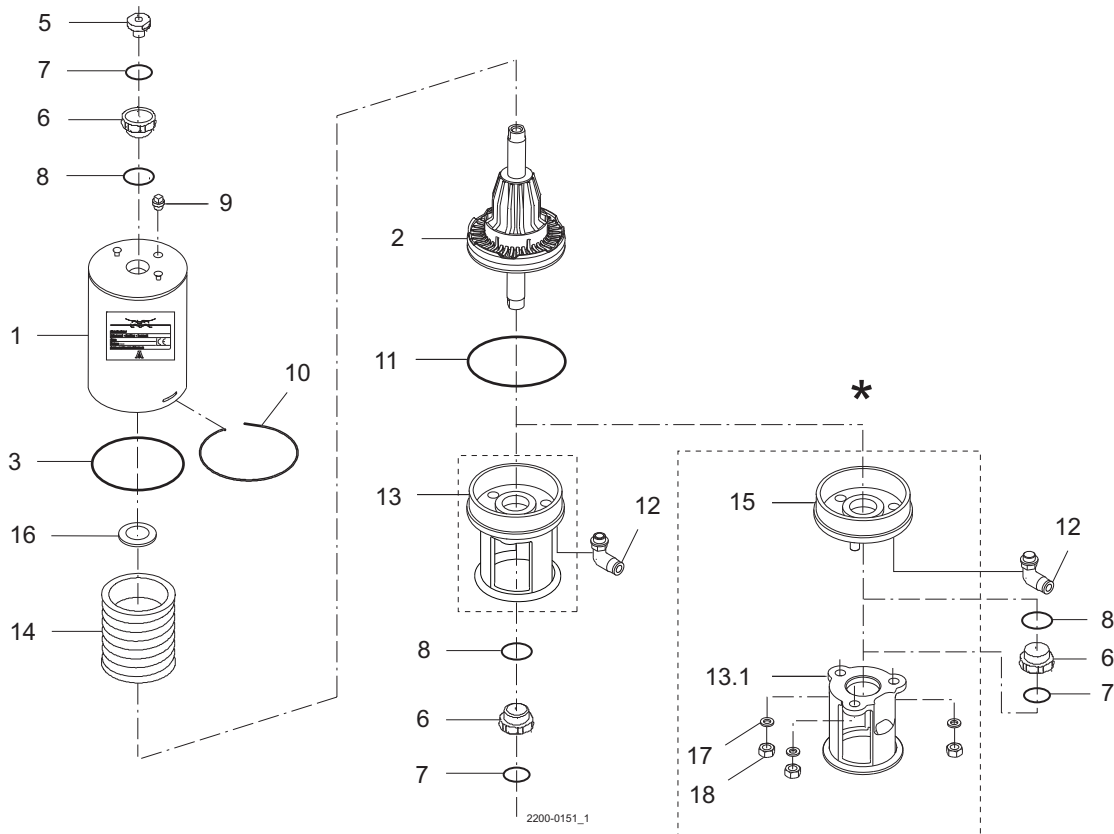


Do **NOT** attempt to cut the actuator open, due to spring under load danger.

AND



Do **NOT** attempt to cut the actuator open, due to spring under load danger.



*) Removal yoke with bolts version, produced from 2006 to June 2016.
Phased out with yoke without bolts (13)

Maintainable actuator

Pos	Qty	Denomination	1"	1½"	2"	2½"	3"	4"
		Actuator, complete (NO)	9613185346	9613185346	9613185347	9613185348	9613185349	9613185350
		Actuator, complete (NC)	9613185321	9613185321	9613185322	9613185353	9613185354	9613185325
		Actuator, complete (A/A)	9613185326	9613185326	9613185327	9613185328	9613185329	9613185330
1	1	Cylinder, blasted	9613142517	9613142517	9613142518	9613142518	9613142519	9613142519
2	1	Cylinder, polished	9613142520	9613142520	9613142521	9613142521	9613142522	9613142522
3	1	Piston	9613132201	9613132201	9613132301	9613132301	9613132401	9613132401
5	1	O-ring						
	1	Adapter, plastic (- 0115)						
	1	Adapter, steel (0115 - 0518)						
	1	Adapter, steel (0518 -)	9615374701	9615374701	9615374701	9615374701	9615374701	9615374701
6	2	Bushing						
7	2	O-ring						
8	2	O-ring						
9	1	Plug	9613414101	9613414101	9613414101	9613414101	9613414101	9613414101
10	1	Lock wire	9613143201	9613143201	9613143202	9613143202	9613143203	9613143203
11	1	O-ring						
12	1/2	Air fitting (only 2 for A/A)	9611994682	9611994682	9611994682	9611994482	9611994682	9611994682
13	1	Yoke, without bolts	9613154301	9613154301	96131544402	9613154502	9613154603	9613154703
14	1	Spring assembly	9613132501	9613132501	9613132502	9613132502	9613132503	9613132503
16	1/2	Support disc (only 2 for A/A)						

Removable yoke with bolts (obsolete) - use position 13

13.1	1	Yoke (-> 0616)						
15	1	Bottom (-> 0616)						
17	3	Washer (-> 0616)						
18	3	Nut (-> 0616)						

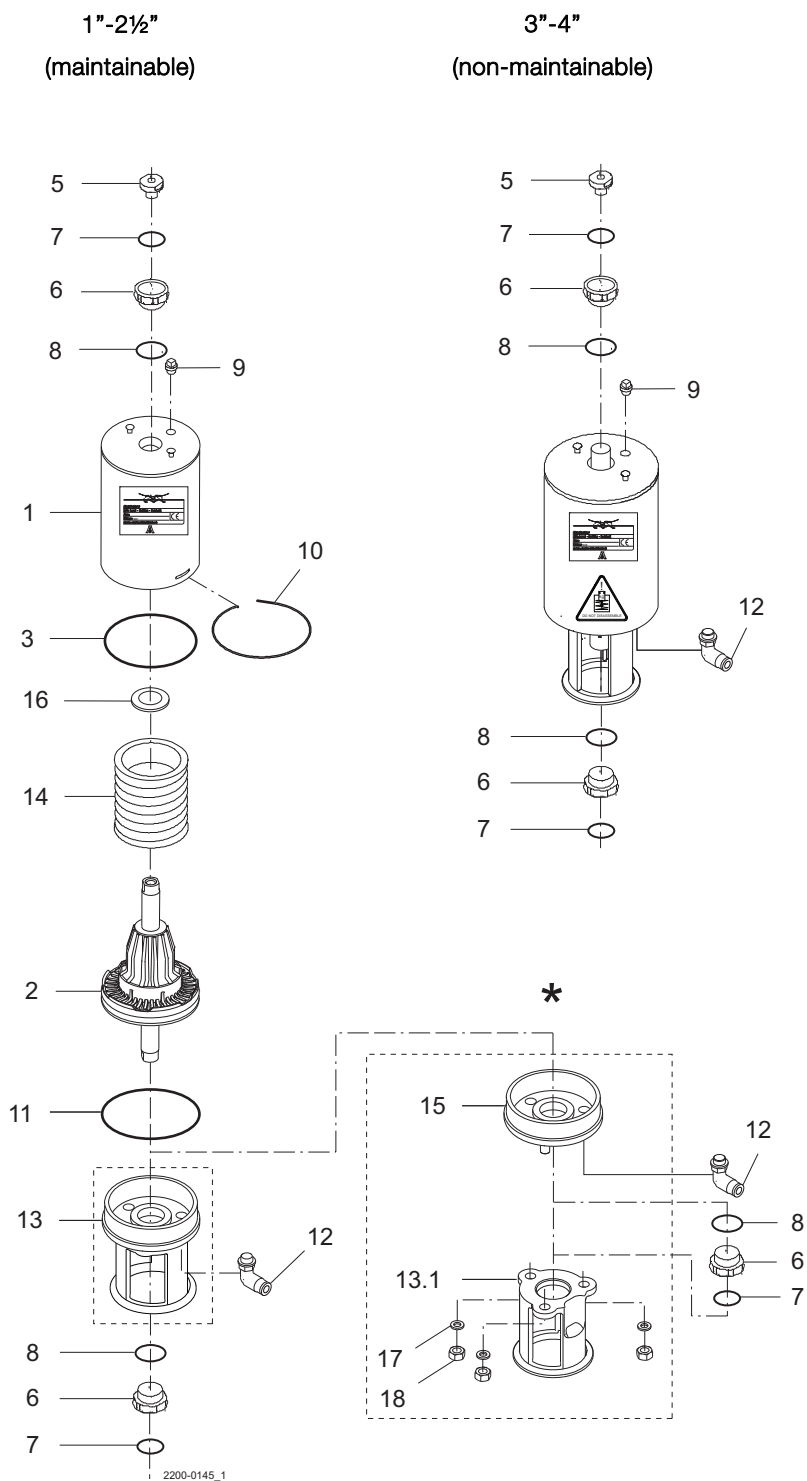
Service kits

		1"	1½"	2"	2½"	3"	4"
•	Service kit, NO/NC	9611926497	9611926497	9611926498	9611926498	9611926499	9611926499
■	Service kit, A/A	9611926519	9611926519	9611926520	9611926520	9611926521	9611926521

Recommended spare parts: Service kits.

Parts marked with ■ are included in the service kits.

TD 900-362/2



*) "Removable yoke with bolts" version, produced from 2006-June 2016.
Replaced by "yoke without bolts" (13)

High pressure maintainable/non-maintainable actuator

Pos	Qty	Denomination	1"	1½"	2"	2½"	3" (Non maintainable)	4" (Non maintainable)
		Actuator, complete (NO)	9613185528	9613185528	9613185529	9613185512	N/A	N/A
		Actuator, complete (NC)	9613185531	9613185531	9613185532	9613185533	9613163164	9613163162
		Actuator, complete (A/A)	9613185507	9613185516	9613185517	9613185518	N/A	N/A
1	1	Cylinder, (blasted)	9613142518	9613142518	9613142519	9613142519		
	1	Cylinder, (polished)	9613142521	9613142521	9613142522	9613142522		
2	1	Piston	9613132301	9613132301	9613132401	9613132401		
3	1	O-ring	9611990033	9611990033	9611994283	9611994283		
5	1	Adapter, plastic (- 0115)						
	1	Adapter, steel (0115 - 0518)						
	1	Adapter, steel (0518 -)	9615374701	9615374701	9615374701	9615374701	9615374701	9615374701
6	2	Bushing						
7	2	O-ring						
8	2	O-ring						
9	1	Plug	9613414101	9613414101	9613414101	9613414101	9613414101	9613414101
10	1	Lock wire	9613143202	9613143202	9613143203	9613143203		
11	1	O-ring						
12	1(2)	Air fitting (only 2 for A/A)	9611994682	9611994682	9611994682	9611994682	9611994682	9611994682
13	1	Yoke without bolts (0616 -)	9615245401	9615245401	9615245501	9615245601		
14	1	Spring assembly	9613132502	9613132502	9613132503	9613132503		
16	1(2)	Support disc (only 2 for A/A)						

Removable yoke with bolts (obsolete) - use position 13

13.1	1	Yoke (-> 0616)						
15	1	Bottom (-> 0616)						
17	3	Washer (-> 0616)						
18	3	Nut (-> 0616)						

			1"	1½"	2"	2½"	3" (Non maintainable)	4" (Non maintainable)
--	--	--	----	-----	----	-----	-----------------------------	-----------------------------

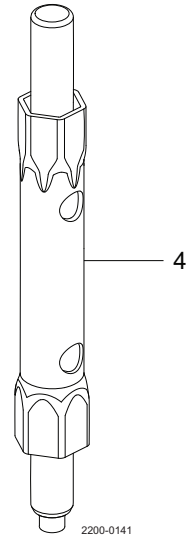
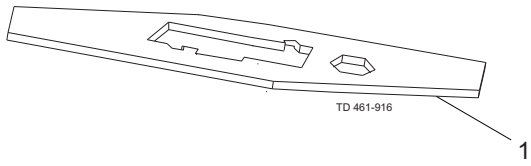
Service kits

□	Service kit, NO, NC	9611926498	9611926498	9611926499	9611926499			
◆	Service kit, A/A	9611926520	9611926520	9611926521	9611926521			
○	Service kit, NC					9611926500	9611926500	

Recommended spare parts: Service kits.

Parts marked with □◆○ are included in the service kits.

900-478/1



Mounting tool

Pos	Qty	Denomination	DN 25-65	DN 80-100
			25-63.5 mm	76.1-101.6 mm
1	1	Service tool for Maintainable actuator	3135302191	9612454001

TD 900-512/1

Pos	Qty	Denomination	DN 25-100
			25-101.6 mm
4	1	Tool for actuator bushing (pos. 6)	9614198401

TD 900-701

How to contact Alfa Laval

Contact details for all countries are continually updated on our website.

Please visit www.alfalaval.com to access the information directly.

© Alfa Laval Corporate AB

This document and its contents is owned by Alfa Laval Corporate AB and protected by laws governing intellectual property and thereto related rights. It is the responsibility of the user of this document to comply with all applicable intellectual property laws. Without limiting any rights related to this document, no part of this document may be copied, reproduced or transmitted in any form or by any means (electronic, mechanical, photocopying, recording, or otherwise), or for any purpose, without the expressed permission of Alfa Laval Corporate AB. Alfa Laval Corporate AB will enforce its rights related to this document to the fullest extent of the law, including the seeking of criminal prosecution.