

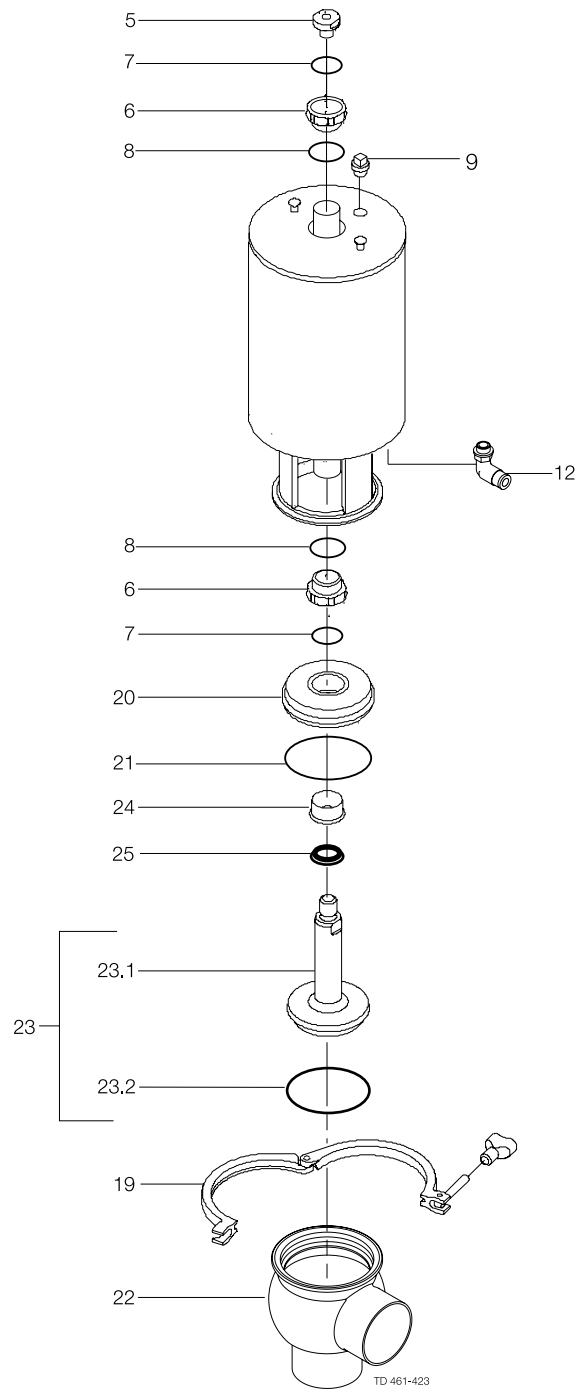
Pos.	Qty	Denomination	1"	1½"	2"
Actuator					
		Actuator, complete (NO)	9613-1548-31	9613-1548-31	9613-1548-32
		Actuator, complete (NC)	9613-1548-36	9613-1548-36	9613-1548-37
		Actuator, complete (A/A).....	9613-1548-41	9613-1548-41	9613-1548-42
	5	Adapter	9613-1274-01	9613-1274-01	9613-1274-01
☐	6	Bushing.....			
☐	7	O-ring.....			
☐	8	O-ring.....			
	9	Plug	9613-4141-01	9613-4141-01	9613-4141-01
	12	Air fitting	9611-99-4682	9611-99-4682	9611-99-4682
Clamp					
	19	Clamp	9612-9393-16	9612-9393-16	9612-9393-17
Bonnet					
	20	Bonnet	9613-1271-02	9613-1271-02	9613-1271-03
▲	21	O-ring, EPDM (standard)			
		O-ring, NBR			
		O-ring, FPM			
	24	Bushing.....	9613-1250-02	9613-1250-02	9613-1250-02
▲	25	Lip seal, EPDM (standard)			
		Lip seal, NBR			
		Lip seal, FPM			
Valve Body					
	22	Valve body, lower, 2 ports, clamp	9613-1616-01	9613-1616-03	9613-1616-05
		Valve body, lower, 3 ports, clamp	9613-1616-02	9613-1616-04	9613-1616-06
		Valve body, lower 2 ports, weld	9613-1395-13	9613-1395-15	9613-1395-17
		Valve body, lower 3 ports, weld	9613-1395-14	9613-1395-16	9613-1395-18
Valve Plug					
	23	Plug, shut off, complete, EPDM (standard)	9613-1388-01	9613-1388-02	9613-1388-03
		Plug, shut off, complete, HNBR.....	9613-1388-13	9613-1388-14	9613-1388-15
		Plug, shut off, complete, FPM	9613-1388-25	9613-1388-26	9613-1388-27
	23.1	Plug, shut off	9613-1496-01	9613-1398-02	9613-1398-03
▲	23.2	Plug seal, EPDM (standard)			
		Plug seal, HNBR			
		Plug seal, FPM			

Recommended spare parts

Service kits					
☐		Service kit, actuator.....	9611-92-6500	9611-92-6500	9611-92-6500
▲		Service kit, EPDM.....	9611-92-6501	9611-92-6502	9611-92-6503
▲		Service kit, HNBR.....	9611-92-6507	9611-92-6508	9611-92-6509
▲		Service kit, FPM	9611-92-6513	9611-92-6514	9611-92-6515

Parts marked with ☐ are included in the service kits (actuator)
 Parts marked with ▲ are included in the service kits (product wetted parts)

Tool for bushing (pos. 24) 9613-1609-01



Pos.	Qty	Denomination	2½"	3"	4"
Actuator					
		Actuator, complete (NO)	9613-1548-33	9613-1548-34	9613-1548-35
		Actuator, complete (NC)	9613-1548-38	9613-1548-39	9613-1548-40
		Actuator, complete (A/A).....	9613-1548-43	9613-1548-44	9613-1548-45
	5	Adapter	9613-1274-01	9613-1274-01	9613-1274-01
☐	6	Bushing.....			
☐	7	O-ring.....			
☐	8	O-ring.....			
	9	Plug	9613-4141-01	9613-4141-01	9613-4141-01
	12	Air fitting	9611-99-4682	9611-99-4682	9611-99-4682
Clamp					
	19	Clamp	9612-9393-18	9612-9393-19	9612-9393-20
Bonnet					
	20	Bonnet	9613-1271-04	9613-1271-05	9613-1271-06
▲	21	O-ring, EPDM (standard)			
		O-ring, NBR			
		O-ring, FPM			
	24	Bushing.....	9613-1250-02	9613-1250-02	9613-1250-02
▲	25	Lip seal, EPDM (standard)			
		Lip seal, NBR			
		Lip seal, FPM			
Valve Body					
	22	Valve body, lower, 2 ports, clamp	9613-1616-07	9613-1616-09	9613-1616-11
		Valve body, lower, 3 ports, clamp	9613-1616-08	9613-1616-10	9613-1616-12
		Valve body, lower 2 ports, weld	9613-1395-19	9613-1395-21	9613-1395-23
		Valve body, lower 3 ports, weld	9613-1395-20	9613-1395-22	9613-1395-24
Valve Plug					
	23	Plug, shut off, complete, EPDM (standard)	9613-1388-04	9613-1388-05	9613-1388-06
		Plug, shut off, complete, HNBR.....	9613-1388-16	9613-1388-17	9613-1388-18
		Plug, shut off, complete, FPM	9613-1388-28	9613-1388-29	9613-1388-30
	23.1	Plug, shut off	9613-1398-04	9613-1398-05	9613-1398-06
▲	23.2	Plug seal, EPDM (standard)			
		Plug seal, HNBR			
		Plug seal, FPM			

Recommended spare parts

Service kits					
☐		Service kit, actuator.....	9611-92-6500	9611-92-6500	9611-92-6500
▲		Service kit, EPDM.....	9611-92-6504	9611-92-6505	9611-92-6506
▲		Service kit, HNBR.....	9611-92-6510	9611-92-6511	9611-92-6512
▲		Service kit, FPM	9611-92-6516	9611-92-6517	9611-92-6518

Parts marked with ☐ are included in the service kits (actuator)

Parts marked with ▲ are included in the service kits (product wetted parts)

Tool for bushing (pos. 24) 9613-1609-01