



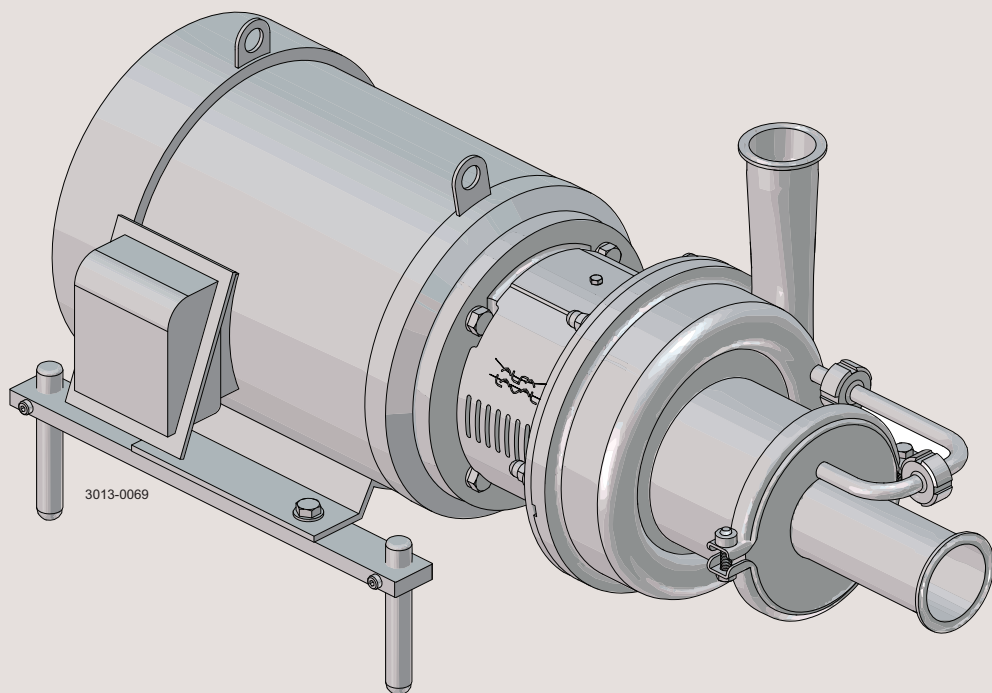
RODEM[®]

PROCESS EQUIPMENT

www.rodem.com 800-543-7312

Spare Parts

LKH Prime Centrifugal Pump



ESE03145-ENUS0

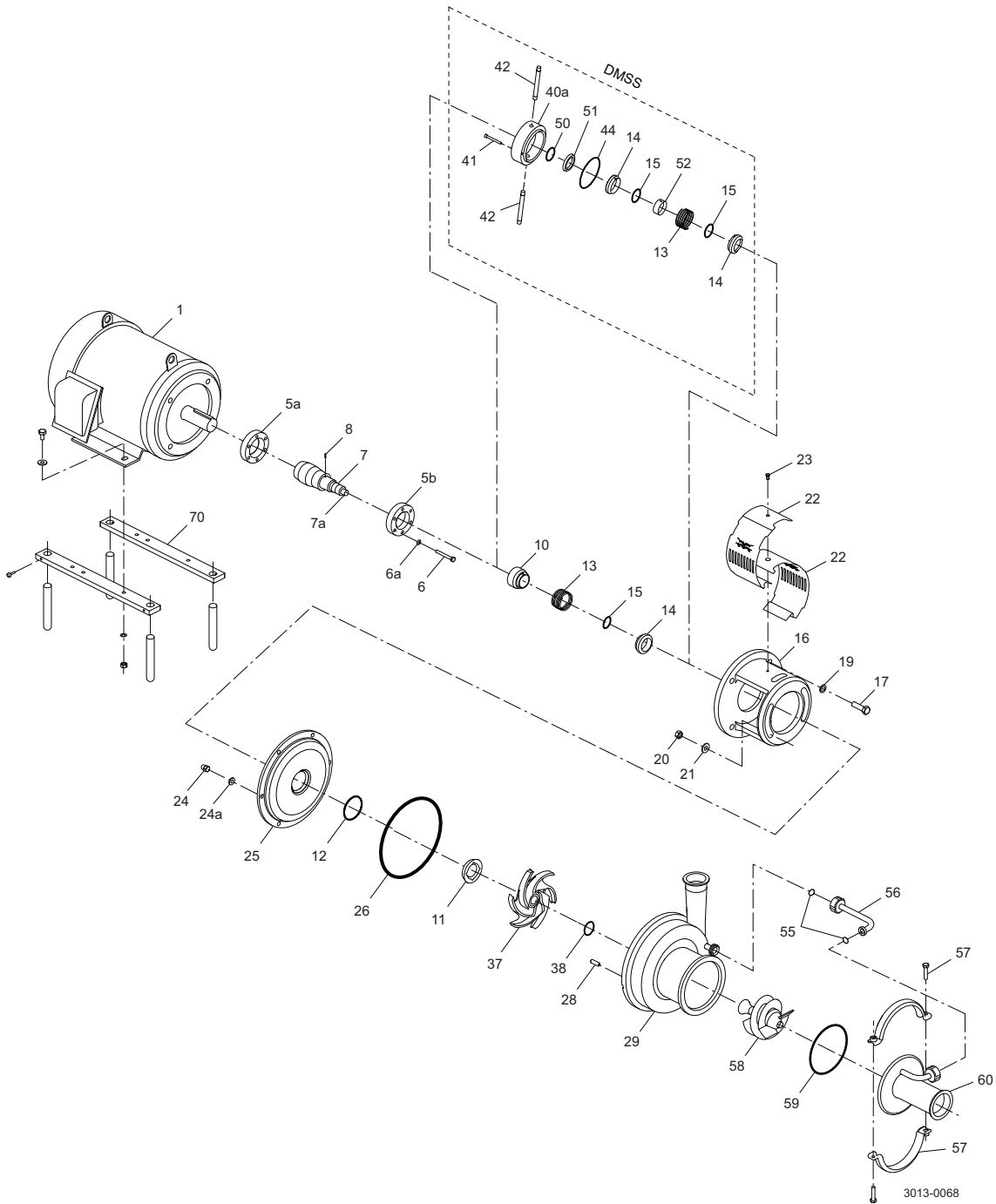
2016-02

Original manual

Table of contents

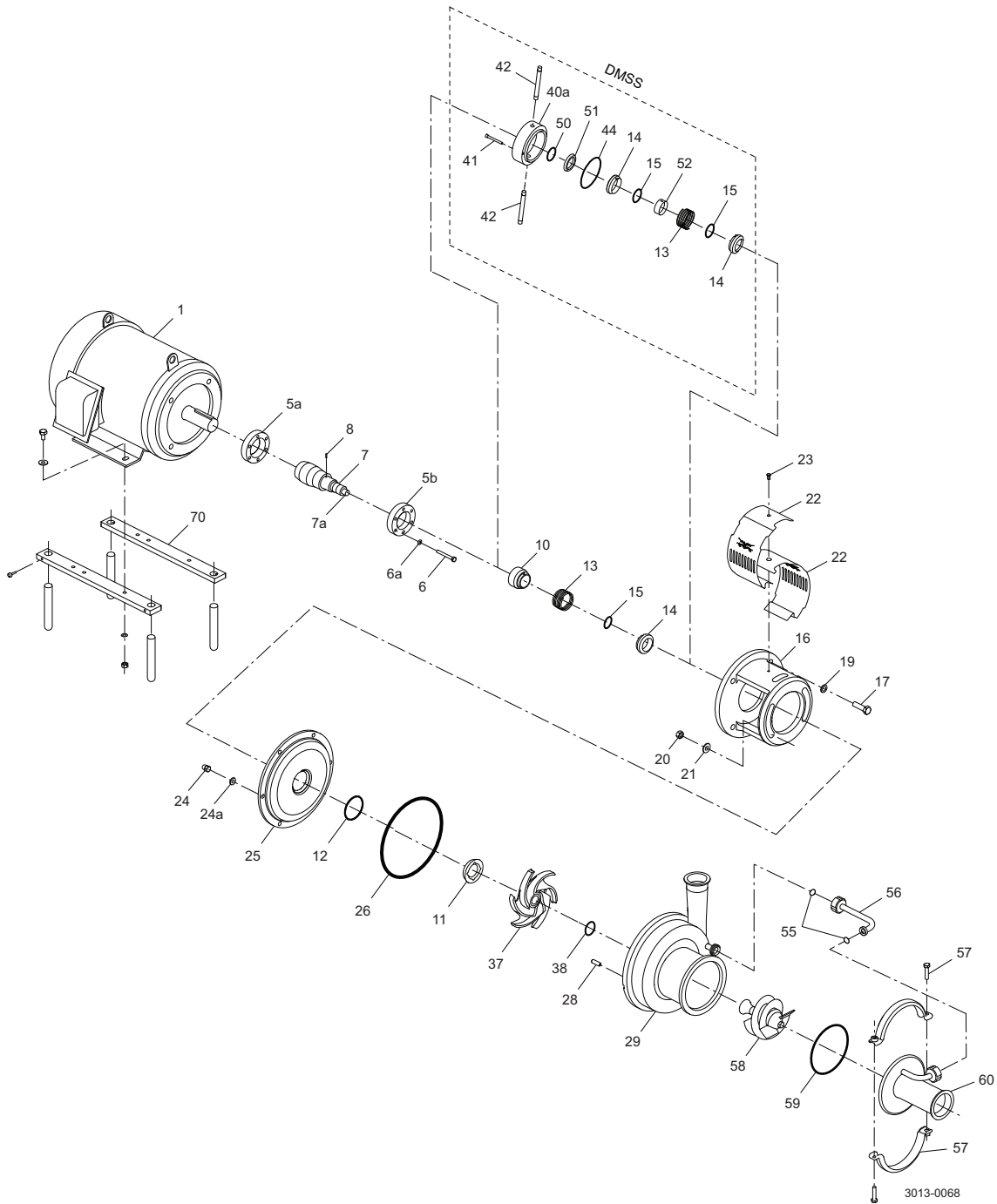
The information herein is correct at the time of issue but may be subject to change without prior notice

1. LKH Prime - Wet end	4
2. LKH Prime - Motor dependent parts	6
3. LKH Prime - Shaft seal	10



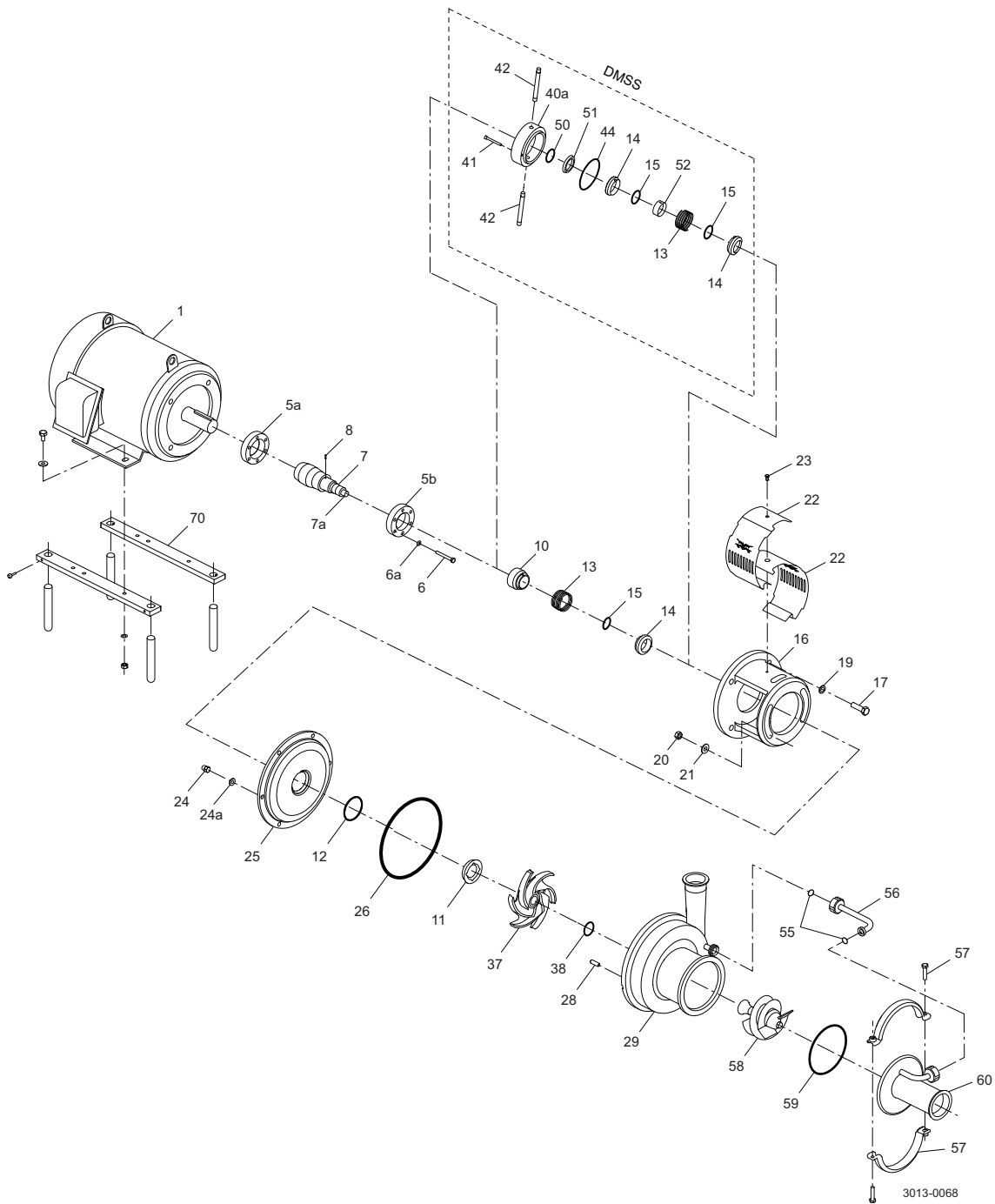
3013-0068

Pos	Qty	Denomination	LKH Prime 20 3-20 Hp
Pump casing Mech Ra ≤ 32			
29	1	Pump casing, Tri-clamp	9615262002
Pump casing Mech Ra ≤ 20			
	1	Pump casing, Tri-clamp	9615262006
Front cover Mech Ra ≤ 32			
60	1	Pump cover, Tri-clamp	9615262102
Front cover Mech Ra ≤ 20			
	1	Pump cover, Tri-clamp	9615262106
59	◆△◆●	1 O-ring, EPDM	9615217301
		1 O-ring, NBR	9615217303
		1 O-ring, FPM	9615217302
56		1 Recirculation pipe, Mech Ra ≤ 32	9615202004
		1 Recirculation pipe, Mech Ra ≤ 20	9615202005
55	◆△◆●	2 O-ring, EPDM	9615261501
		2 O-ring, NBR	9615261503
		2 O-ring, FPM	9615261502
57		1 Clamp set	9611311057
58		1 Air screw, Mech Ra ≤ 32	9615216504
		1 Air screw, Mech Ra ≤ 20	9615216507
24		6 Cap nut	9611992592
24a		6 Spring washer	9611991888
28		6 Bolt	9611992168
26	◆△◆●	1 O-ring, EPDM	9611992141
		1 O-ring, NBR	9611992143
		1 O-ring, FPM	9611992142
37		1 Impeller, Mech Ra ≤ 32	9612131418
		1 Impeller, Mech Ra ≤ 20	9612131406
38	◆△◆●	1 O-ring, EPDM	9611992145
		1 O-ring, NBR	9611992147
		1 O-ring, FPM	9611992146
25		1 Back plate, Mech Ra ≤ 32	9612138421
		1 Back plate, Mech Ra ≤ 20	9612138435
20		2 Nut	9611990353
21		2 Washer	9611992559



LKH Prime - Motor dependent parts

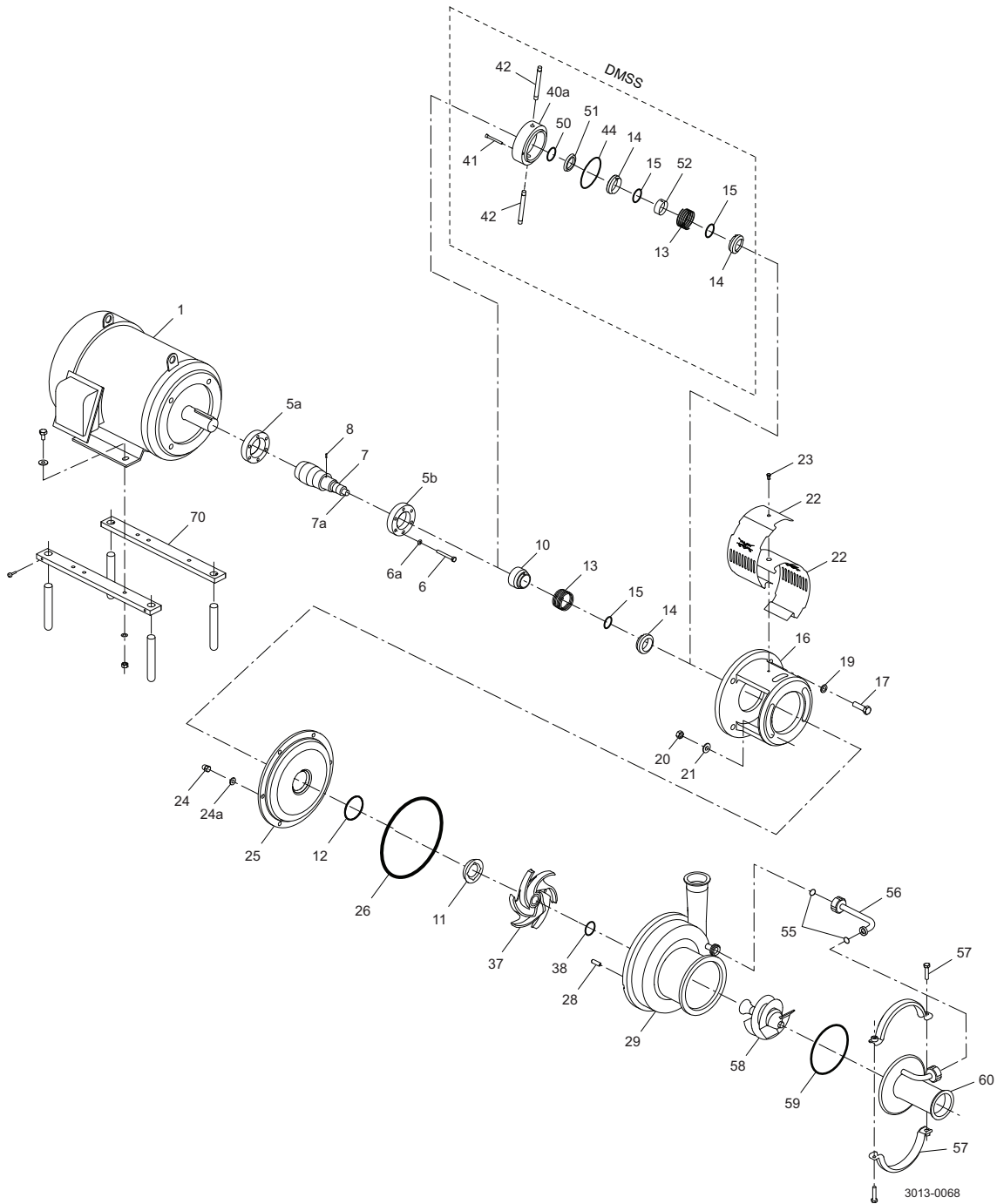
Pos	Qty	Denomination	3-5 Hp	7,5-10 Hp	15-20 Hp
5a	1	Compression ring, with thread	9612133602	9612133606	9612133603
5b	1	Compression ring, without thread	9612133702	9612133706	9612133703
6	6	Screw	9611993196	9611993197	9611993198
6a	6	Washer	9611993199	9611993199	9611993199
7	1	Shaft	9615230407	9615230408	9615230409
7a	1	Stud bolt, (included in pos 7)	9615230301	9615230301	9615230301
8	1	Connex pin, (included in pos 7)	9611990622	9611990622	9611990622
16	1	Adaptor	9612342901	9612343001	9612343101
17	4	Screw for adaptor	9611994412	9611994413	9611994414
19	4	Washer for adaptor	9611994417	9611994417	9611994417
22	1	Safety guard set	9614077405	9614077408	9614077409
23	1	Screw for safety guard	9611992544	9611992544	9611992544
70	1	Leg bracket	481663	481663	481665



LKH Prime - Motor dependent parts

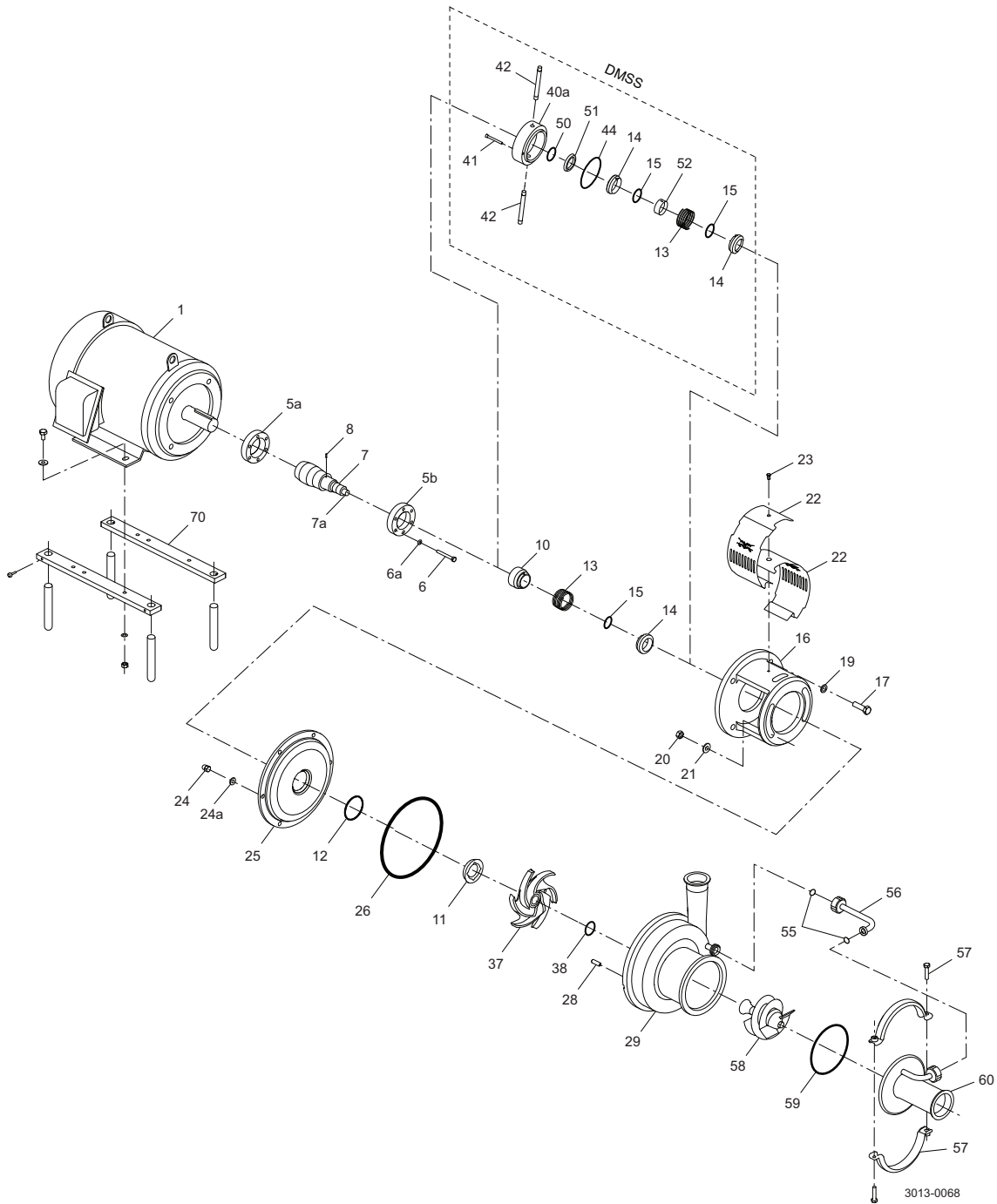
Pos	Qty	Denomination	3Hp	5Hp	7.5Hp	10Hp	15Hp	20Hp
1	1	Motor	182TC	184TC	213TC	215TC	254TC	256TC

3/60/208/230-460-standard

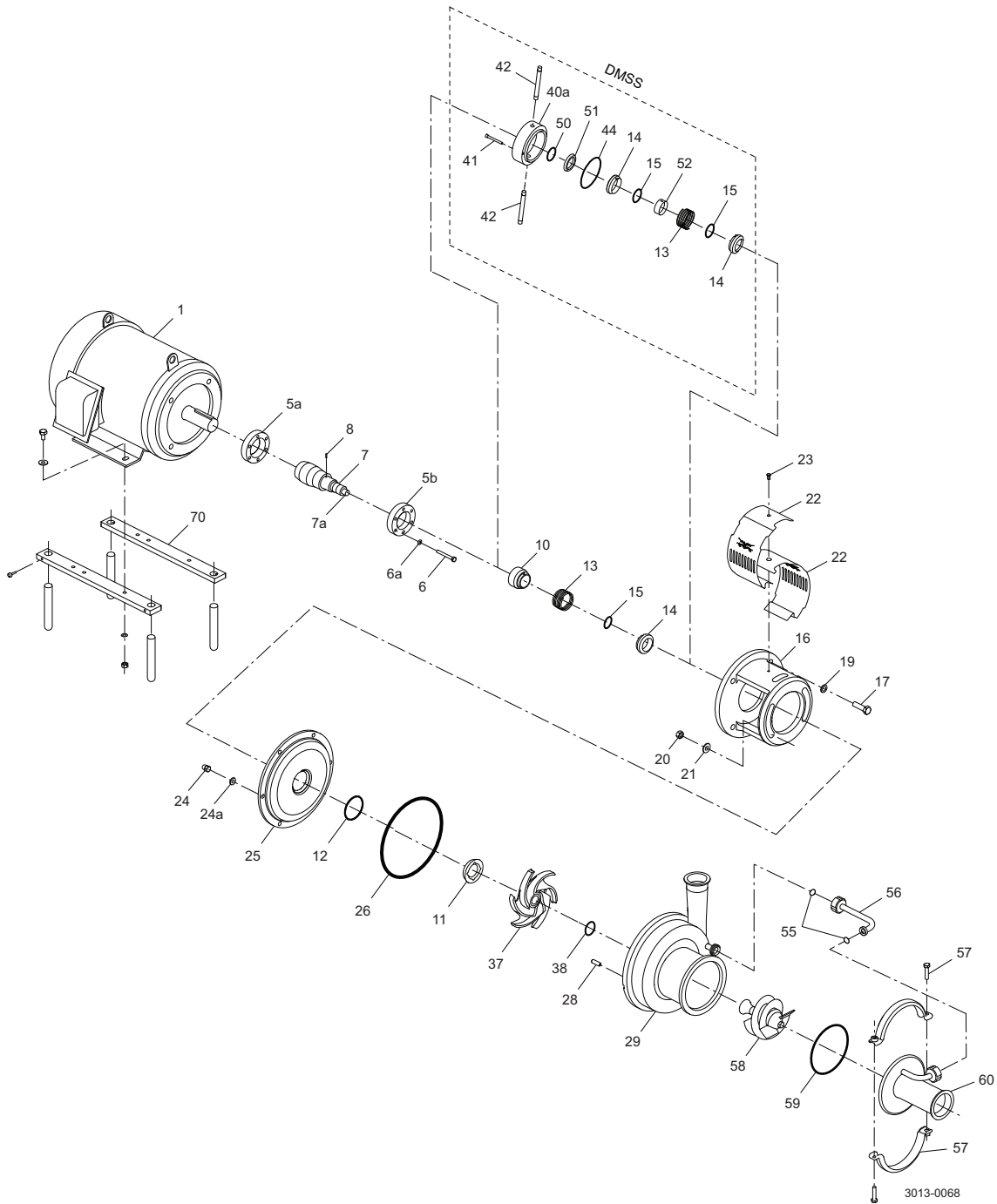


LKH Prime - Shaft seal

Pos	Qty	Denomination	LKH Prime 20
Accessories			
	1	Tool complete	9612137101
Parts for double mechanical shaft seal			
40a	1	Seal housing	9612133904
41	2	Screw for seal housing	9611990203
42	2	Tube	9612358916
Drive ring			
10	1	Drive ring, Single shaft seal steel	9614206001



Pos	Qty	Denomination	EPDM	NBR	FPM
Single shaft seal					
		◆ Complete shaft seal, C/SiC	9612129609	9612129610	9612129611
11	1	Stationary seal ring, SiC	9612137901	9612137901	9612137901
12	1	O-ring	9611992149	9611992151	9611992150
13	1	Spring	9612137601	9612137601	9612137601
14	1	Rotating seal ring, carbon	9612136401	9612136401	9612136401
15	1	O-ring	9611992145	9611992147	9611992146
Alternatives for single shaft seal					
		◇ Complete shaft seal, SiC/SiC	9612129639	9612129640	9612129635
11	1	Stationary seal ring, SiC	9612137905	9612137905	9612137905
12	1	O-ring	9611992149	9611992151	9611992150
13	1	Spring	9612137601	9612137601	9612137601
14	1	Rotating seal ring, SiC	9612136402	9612136402	9612136402
15	1	O-ring	9611992145	9611992147	9611992146
Double mechanical shaft seal					
		△ Complete seal, C/SiC	9612129613	9612129614	9612129615
11	1	Stationary seal ring, SiC	9612137901	9612137901	9612137901
12	1	O-ring	9611992149	9611992151	9611992150
13	1	Spring	9612137602	9612137602	9612137602
14	2	Rotating seal ring, carbon	9612136401	9612136401	9612136401
15	2	O-ring	9611992145	9611992147	9611992146
44	1	O-ring for seal housing, EPDM	9611992153	9611992153	9611992153
50	1	O-ring, EPDM	9611992156	9611992156	9611992156
51	1	Sec. stationary seal ring	9612138302	9612138302	9612138302
52	1	Drive ring	9612308901	9612308901	9612308901
Alternatives for double mechanical shaft seal					
		● Complete shaft seal, SiC/SiC	9612129636	9612129637	9612129638
11	1	Stationary seal ring, SiC	9612137905	9612137905	9612137905
12	1	O-ring	9611992149	9611992151	9611992150
13	1	Spring	9612137602	9612137602	9612137602
14	2	Rotating seal ring, SiC	9612136402	9612136402	9612136402
15	2	O-ring	9611992145	9611992147	9611992146
44	1	O-ring for seal housing, EPDM	9611992153	9611992153	9611992153
50	1	O-ring, EPDM	9611992156	9611992156	9611992156
51	1	Sec. stationary seal ring	9612138302	9612138302	9612138302
52	1	Drive ring	9612308901	9612308901	9612308901



LKH Prime - Shaft seal

		EPDM	NBR	FPM
Service kit for single shaft seal				
C/SiC				
♦	Service kit, C/SiC (LKH Prime 20)	9611927175	9611927176	9611927177
SiC/SiC				
◇	Service kit, SiC/SiC (LKH Prime 20)	9611927178	9611927179	9611927180
Service kit for double mechanical shaft seal				
C/SiC				
△	Service kit, C/SiC (LKH Prime 20)	9611927181	9611927182	9611927183
SiC/SiC				
•	Service kit, SiC/SiC (LKH Prime 20)	9611927184	9611927185	9611927186

Parts marked with ♦△◇• are included in the service kits.

Recommended Spare Parts: Service kits.

Shaft seal: See end of spare part

Conversion kit single to double mechanical shaft seal : Please order double mechanical service kit + pos. 40a + 41 + 42

(900688/0)

How to contact Alfa Laval

Contact details for all countries are continually updated on our website.

Please visit www.alfalaval.com to access the information directly.

© Alfa Laval Corporate AB

This document and its contents is owned by Alfa Laval Corporate AB and protected by laws governing intellectual property and thereto related rights. It is the responsibility of the user of this document to comply with all applicable intellectual property laws. Without limiting any rights related to this document, no part of this document may be copied, reproduced or transmitted in any form or by any means (electronic, mechanical, photocopying, recording, or otherwise), or for any purpose, without the expressed permission of Alfa Laval Corporate AB. Alfa Laval Corporate AB will enforce its rights related to this document to the fullest extent of the law, including the seeking of criminal prosecution.