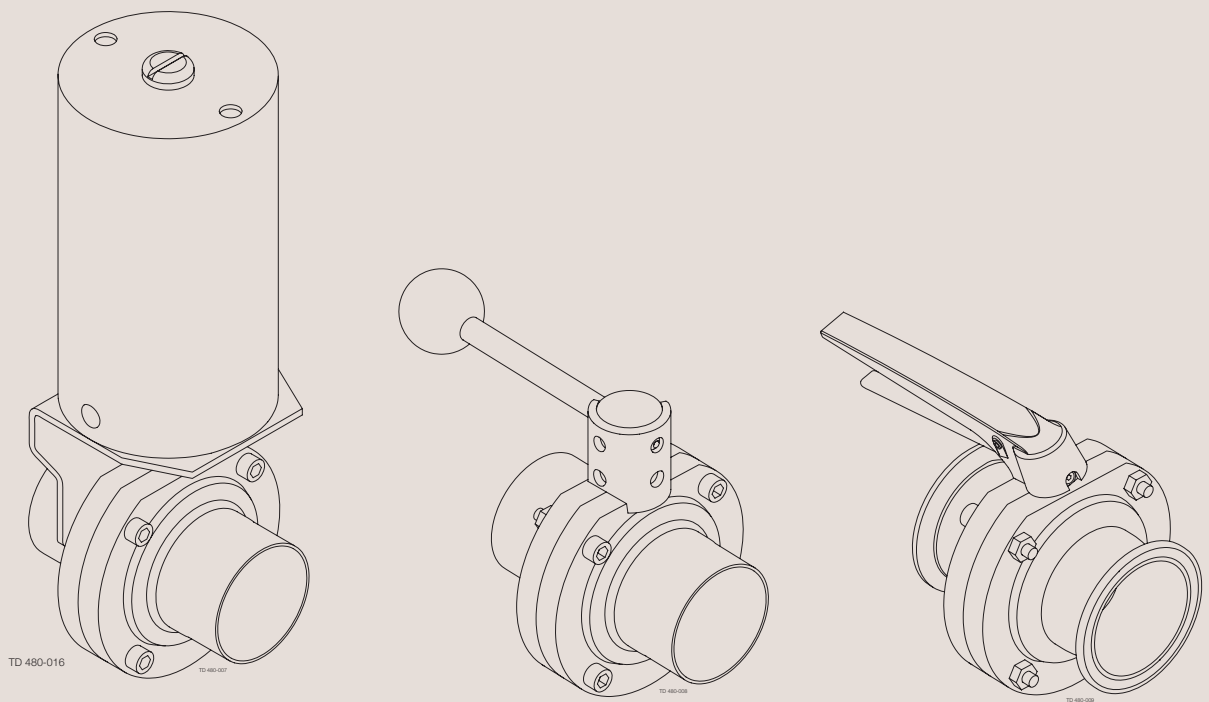




Spare Parts

LKB UltraPure Butterfly Valve



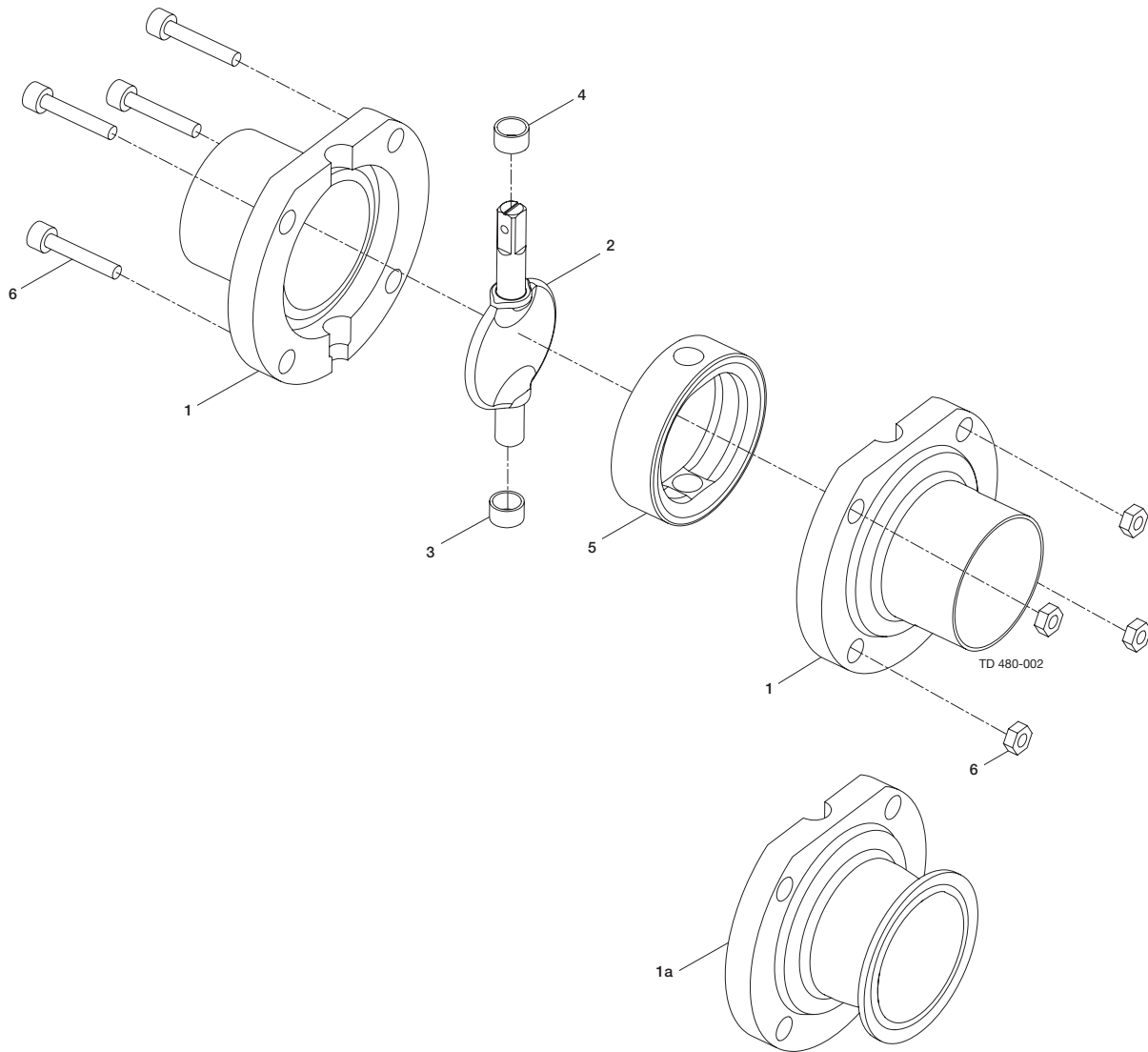
ESE01779-ENUS1

1106

Original manual

The information herein is correct at the time of issue but may be subject to change without prior notice

1. LKB UltraPure Butterfly Valve, ASME	4
2. LKB Lockable Multiposition Handle for Valve	6
3. LKB Handle 1.1 for Butterfly Valve	8
4. Handle 1.1 for Indication Unit	10
5. LKLA Actuator Air/Spring (NC-NO) ø85	12
6. LKLA Actuator Air/Air ø85	14
7. LKLA Actuator Air/Spring (NC-NO) ø133	16
8. LKLA Actuator Air/Air ø133	18
9. LKLA-T Actuator Air/Spring (NC-NO) ø85	20
10. LKLA-T Actuator Air/Air ø85	22
11. LKLA-T Actuator Air/Spring (NC-NO) ø133	24
12. LKLA-T Actuator Air/Air ø133	26



LKB UltraPure Butterfly Valve, ASME

Pos	Qty	Denomination	25 mm	38 mm	51 mm	63.5 mm	76 mm	101.6 mm
			Disc □ 8	Disc □ 8	Disc □ 8	Disc □ 8	Disc □ 10	Disc □ 12
RA 0.5								
1	2	Valve body half, welding ends						
1a	2	Valve body half, clamp ferrule						
2	1	Disc*	9614-0581-01	9614-0581-02	9614-0581-03	9614-0581-04	9614-0581-05	9614-0581-06
3 ▲	1	Bush						
4 ▲	1	Bush						
5 ▲	1	Seal ring, EPDM						
6	1	Set screw , M6 + Nut M6 ...	9611-41-734-0	9611-41-734-0				
	1	Set screw , M8 + Nut M8 ...			9611-41-735-0	9611-41-735-0	9611-41-736-0	
	1	Set screw , M10 + Nut M10						9611-41-737-0
▲	1	Alfa Laval Q-doc service kit						

Pos	Qty	Denomination	25 mm	38 mm	51 mm	63.5 mm	76 mm	101.6 mm
			Disc □ 8	Disc □ 8	Disc □ 8	Disc □ 8	Disc □ 10	Disc □ 12
RA 0.38								
1	2	Valve body half, welding ends						
1a	2	Valve body half, clamp ferrule						
2	1	Disc*	9614-0581-07	9614-0581-08	9614-0581-09	9614-0581-10	9614-0581-11	9614-0581-12
3 ▲	1	Bush						
4 ▲	1	Bush						
5 ▲	1	Seal ring , EPDM						
5	1	Seal ring , FPM						
6	1	Set screw , M6 + Nut M6 ...	9611-41-734-0	9611-41-734-0				
	1	Set screw , M8 + Nut M8 ...			9611-41-735-0	9611-41-735-0	9611-41-736-0	
	1	Set screw , M10 + Nut M10						9611-41-737-0
▲	1	Alfa Laval Q-doc service kit						

25 mm	38 mm	51 mm	63.5 mm	76 mm	101.6 mm
Disc □ 8	Disc □ 8	Disc □ 8	Disc □ 8	Disc □ 10	Disc □ 12

Service Kits RA 0.5

▲	Service kit, EPDM	9611-92-3284	9611-92-3285	9611-92-3286	9611-92-3287	9611-92-3288	9611-92-3289
▲	Service kit, FPM	9611-92-3297	9611-92-3298	9611-92-3299	9611-92-3300	9611-92-3301	9611-92-3302

25 mm	38 mm	51 mm	63.5 mm	76 mm	101.6 mm
Disc □ 8	Disc □ 8	Disc □ 8	Disc □ 8	Disc □ 10	Disc □ 12

Service Kits RA 0.38

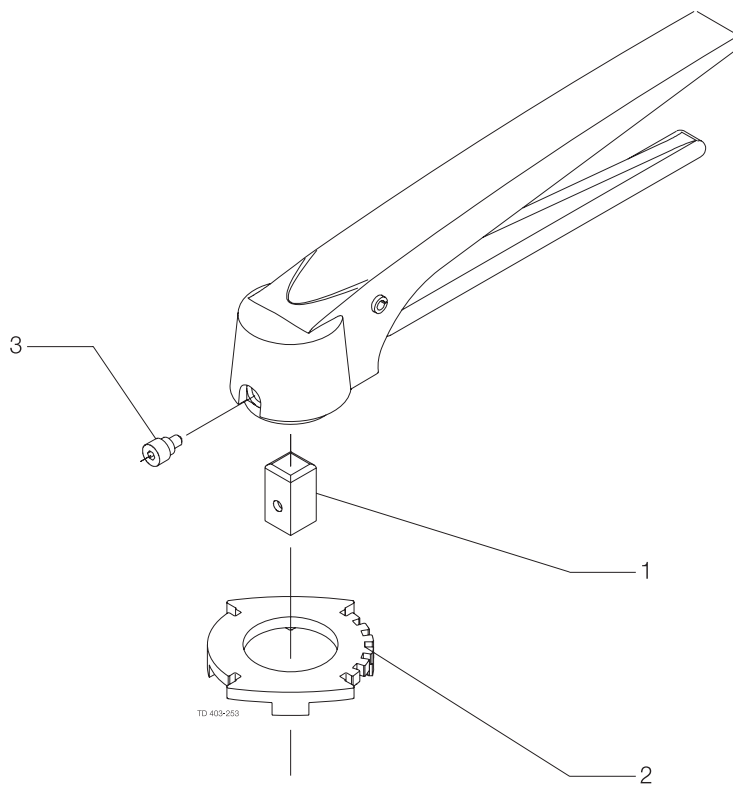
▲	Service kit, EPDM	9611-92-3284	9611-92-3285	9611-92-3286	9611-92-3287	9611-92-3288	9611-92-3289
▲	Service kit, FPM	9611-92-3297	9611-92-3298	9611-92-3299	9611-92-3300	9611-92-3301	9611-92-3302

Parts marked with ▲ are included in the service kit.

Recommended spare parts: Service kit.

900583

* = 3.1 Certificate in accordance to EN 10204 included.

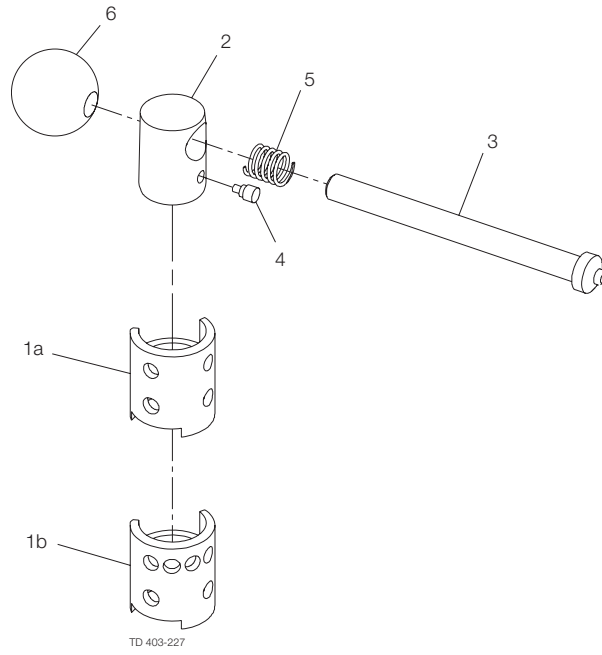


LKB Lockable Multiposition Handle for Valve

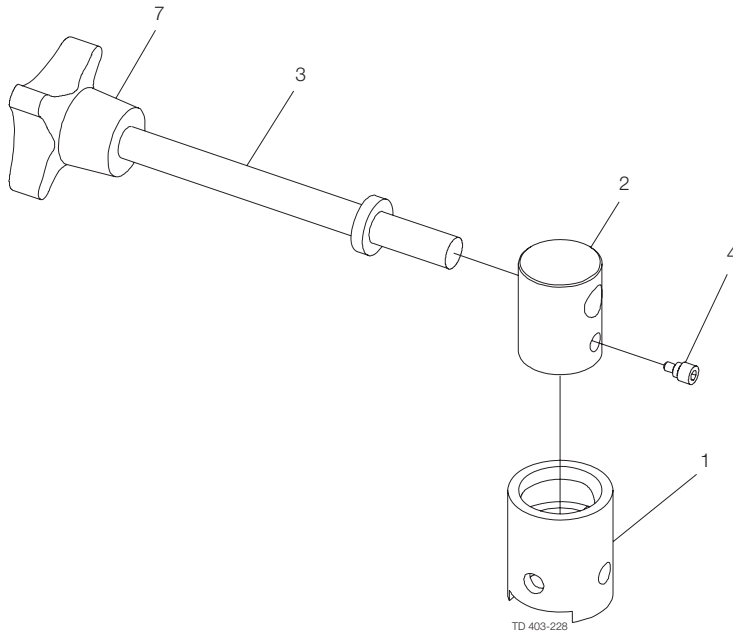
Pos	Qty	Denomination	Disc □ 8	Disc □ 10	Disc □ 12
1	1	Insert	9612-5889-01	9612-5889-02	
2	1	Positioning cap, (76-101.6 mm/DN65-100)		9612-5888-01	9612-5888-01
		Positioning cap, (25-63.5 mm/DN25-50)	9612-5887-01		
3	1	Screw	9612-0453-02	9612-0453-01	9612-0453-01

900530

Handle 1.1 for Butterfly valve LKB



Handle 1.1 with infinite positions for Butterfly valve LKB



LKB Handle 1.1 for Butterfly Valve

Handle 1.1 for Butterfly valve LKB (standard)

Pos	Qty	Denomination	25 - 63.5 mm	76 mm	101.6 mm		
			DN 25 - 50	DN 65 - 80	DN 100	DN 125	DN 150
			Disc □ 8	Disc □ 10	Disc □ 12	Disc □ 14	Disc □ 15
1a	1	Location cap , with 2 pos.	9611-41-138-0	9611-41-143-0	9612-0464-01		
1b	1	Location cap , with 4 pos.	9611-41-739-0	9611-41-740-0	9612-0465-01	9612-0777-01	9612-0792-01
2	1	Transfer block	9612-0454-01	9612-0455-01	9612-0462-01	9612-0778-01	9612-0793-01
3	1	Handle	9611-41-140-0	9611-41-140-1	9612-0461-01	9612-0779-01	9612-3685-01
4	1	Screw with pin	9612-0452-01	9612-0453-01	9612-0453-01	9612-0453-01	9612-0453-01
5	1	Spring	9611-99-1998	9611-99-1998	9611-99-1982	9612-0781-01	9612-3651-01
6	1	Ball	9611-99-1970	9611-99-1970	9611-99-1981	9611-99-2512	9611-99-2713

Handle 1.1 for Butterfly valve LKB (cap turned 90°)

Pos	Qty	Denomination	25 - 63.5 mm	76 mm	101.6 mm	
			DN 25 - 50	DN 65 - 80	DN 100	
			Disc □ 8	Disc □ 10	Disc □ 12	
1a	1	Location cap turned 90° 2pos.		9612-0786-02	9612-0787-02	9612-0788-02
1b	1	Location cap turned 90° 4pos.		9612-0786-01	9612-0787-01	9612-0788-01
2	1	Transfer block		9612-0454-01	9612-0455-01	9612-0462-01
3	1	Handle		9611-41-140-0	9611-41-140-1	9612-0461-01
4	1	Screw with pin		9612-0452-01	9612-0453-01	9612-0453-01
5	1	Spring		9611-99-1998	9611-99-1998	9611-99-1982
6	1	Ball		9611-99-1970	9611-99-1970	9611-99-1981

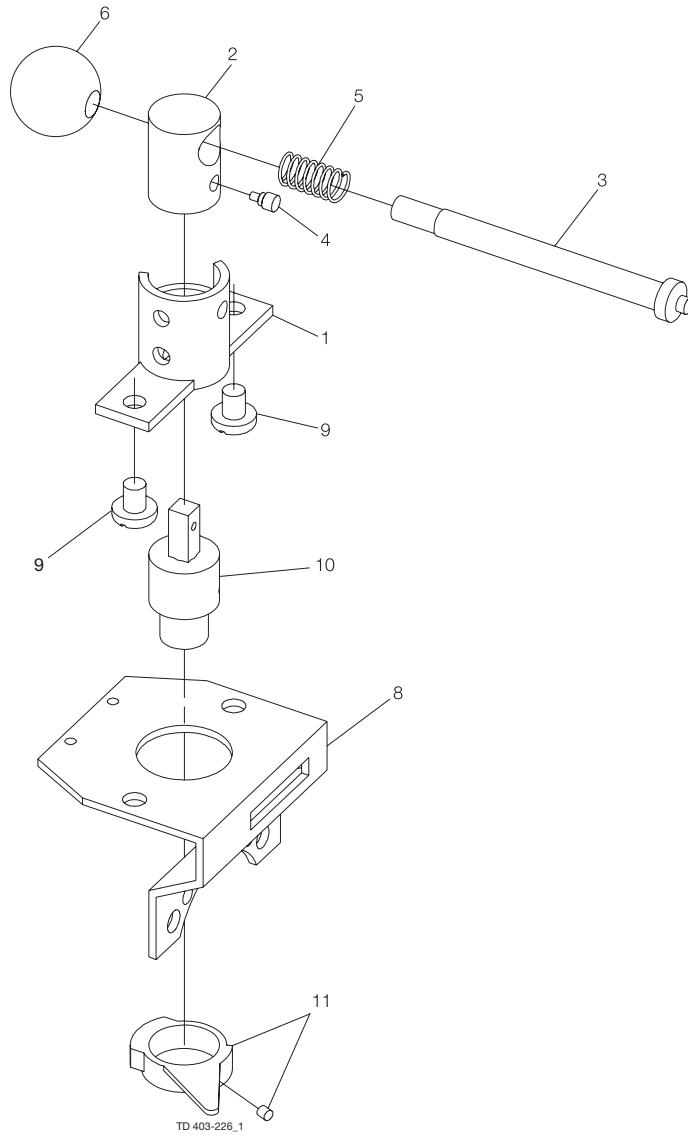
Handle 1.1 with infinite positions for Butterfly valve LKB

Pos	Qty	Denomination	25 - 63.5 mm	76 mm	101.6 mm	
			DN 25 - 50	DN 65 - 80	DN 100	
			Disc □ 8	Disc □ 10	Disc □ 12	
		Complete valve		9612-0474-01	9612-0474-02	9612-0474-03
1	1	Location cap		9612-0471-01	9612-0471-02	9612-0471-03
2	1	Transfer block		9612-0470-01	9612-0470-02	9612-0470-03
3	1	Handle		9612-0472-01	9612-0472-02	9612-0472-02
4	1	Screw with pin		9612-0452-01	9612-0453-01	9612-0453-01
7	1	Crosshead		9611-99-1995	9611-99-1996	9611-99-1996

NB:

- 1) Handle 1.1 with □ 10 connection can also be used for old version 101,6 mm DN 100 LKB valve.
- 1) Handle 1.1 with □ 8 connection can also be used for old version DN 65 LKB valve.

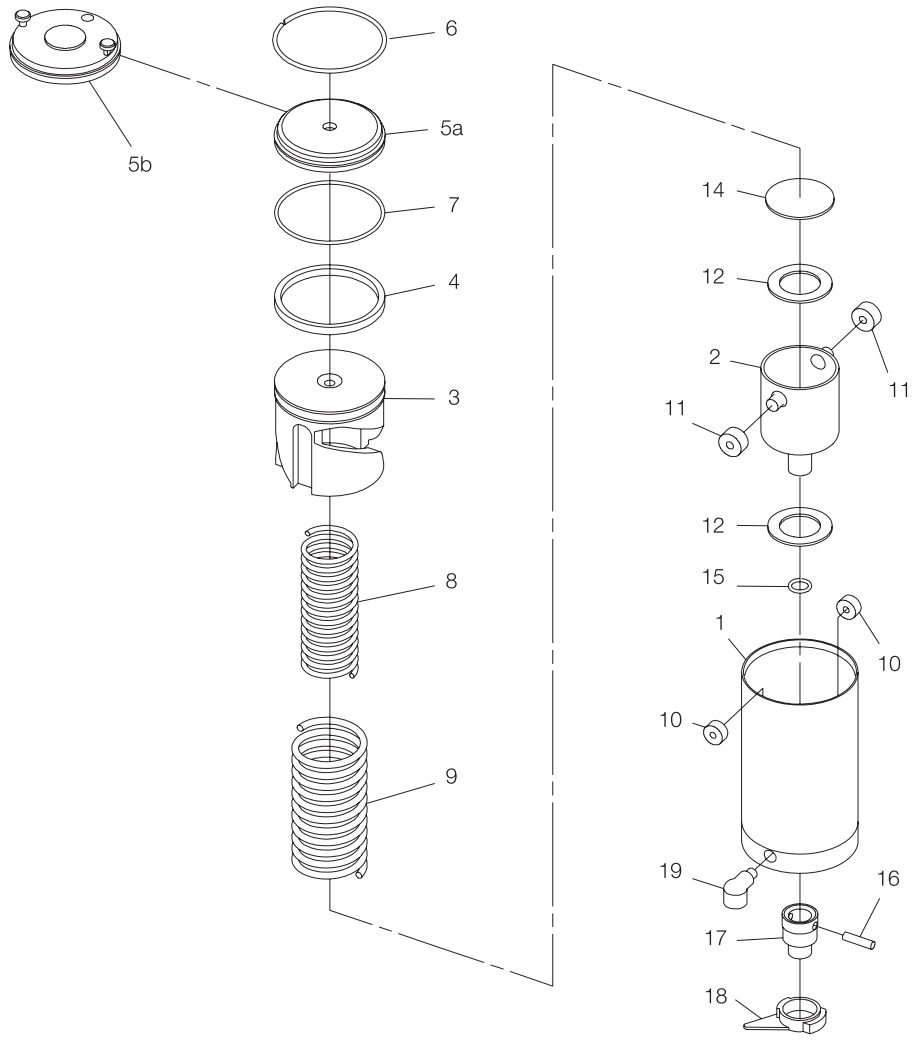
900265



Handle 1.1 for Indication Unit

Pos	Qty	Denomination	25 - 63.5 mm	76 mm	101.6 mm	DN 65
			DN 25-50	DN 80	DN 100	(LKB-DIN)
			Disc □ 8	Disc □ 10	Disc □ 12	Disc □ 10
1	1	Location cap with 2 pos.	9611-41-766-1	9611-41-767-1	9612-0469-01	9611-41-767-1
2	1	Transfer block	9612-0454-01	9612-0455-01	9612-0462-01	9612-0455-01
3	1	Handle	9611-41-140-0	9611-41-140-1	9612-0461-01	9611-41-140-1
4	1	Screw with pin	9612-0452-01	9612-0453-01	9612-0453-01	9612-0453-01
5	1	Spring	9611-99-1998	9611-99-1998	9611-99-1982	9611-99-1998
6	1	Ball	9611-99-1970	9611-99-1970	9611-99-1981	9611-99-1970
8	1	Bracket	9611-41-647-0	9611-41-648-0	9611-41-648-0	9612-0815-02
9	2	Screw	9611-99-1686	9611-99-1686	9611-99-1686	9611-99-1686
10	1	Coupling	9611-41-771-1	9611-41-770-1	9612-0468-01	9611-41-770-1
11	1	Activating ring with screw	9611-41-669-0	9611-41-669-0	9611-41-669-0	9611-41-669-0

900167/1



Pos	Qty	Denomination	NC	NC	NC	NO	NO	NO
			25-63.5 mm DN 25-50 Disc □ 8	76 mm DN 65-80 Disc □ 10	101.6 mm DN 100 Disc □ 12	25-63.5 mm DN 25-50 Disc □ 8	76 mm DN 65-80 Disc □ 10	101.6 mm DN 100 Disc □ 12
1	1	Air cylinder	9611-41-758-0	9611-41-758-0	9611-41-758-0	9611-41-758-0	9611-41-758-0	9611-41-758-0
2	1	Rotating cylinder	9611-41-638-0	9611-41-638-0	9611-41-638-0	9611-41-638-0	9611-41-638-0	9611-41-638-0
3	1	Piston	9612-1944-01	9612-1944-01	9612-1944-01	9612-1943-01	9612-1943-01	9612-1943-01
4 □	1	O-ring, NBR	9611-99-0052	9611-99-0052	9611-99-0052	9611-99-0052	9611-99-0052	9611-99-0052
5a	1	End cap, (Period 0011-)	9611-41-633-0	9611-41-633-0	9611-41-633-0	9611-41-633-0	9611-41-633-0	9611-41-633-0
	1	End cap, (Period 8301-0011)	31357-0740-1	31357-0740-1	31357-0740-1	31357-0740-1	31357-0740-1	31357-0740-1
6	1	Retaining ring	9611-40-2021	9611-40-2021	9611-40-2021	9611-40-2021	9611-40-2021	9611-40-2021
7 □	1	O-ring, NBR	9611-99-0396	9611-99-0396	9611-99-0396	9611-99-0396	9611-99-0396	9611-99-0396
8	1	Inner spring	9611-99-1629	9611-99-1629	9611-99-1629	9611-99-1629	9611-99-1629	9611-99-1629
9	1	Outer spring	9611-99-1631	9611-99-1631	9611-99-1631	9611-99-1631	9611-99-1631	9611-99-1631
10 □	2	Needle bearing	9611-99-1230	9611-99-1230	9611-99-1230	9611-99-1230	9611-99-1230	9611-99-1230
11 □	2	Needle bearing	9611-99-1231	9611-99-1231	9611-99-1231	9611-99-1231	9611-99-1231	9611-99-1231
12 □	2	Thrust bearing	9611-99-1236	9611-99-1236	9611-99-1236	9611-99-1236	9611-99-1236	9611-99-1236
14	1	Thrust plate	9611-41-646-0	9611-41-646-0	9611-41-646-0	9611-41-646-0	9611-41-646-0	9611-41-646-0
15 □	1	O-ring, NBR	9611-99-1233	9611-99-1233	9611-99-1233	9611-99-1233	9611-99-1233	9611-99-1233
16	1	Connex pin	9611-99-1235	9611-99-1235	9611-99-1235	9611-99-1235	9611-99-1235	9611-99-1235
17	1	Coupling	9611-41-644-0	9611-41-645-0	9612-0447-03	9611-41-644-0	9611-41-645-0	9612-0447-03
18	1	Activating ring, Noryl with screw	9611-41-669-0	9611-41-669-0	9611-41-669-0	9611-41-669-0	9611-41-669-0	9611-41-669-0
19	1	Water rejector (Period 8310-)	9611-41-775-0	9611-41-775-0	9611-41-775-0	9611-41-775-0	9611-41-775-0	9611-41-775-0

NC/NO for Altop

Pos	Qty	Denomination	NC	NC	NC	NO	NO	NO
			25-63.5 mm DN 25-50 Disc □ 8	76 mm DN 65-80 Disc □ 10	101.6 mm DN 100 Disc □ 12	25-63.5 mm DN 25-50 Disc □ 8	76 mm DN 65-80 Disc □ 10	101.6 mm DN 100 Disc □ 12
5b	1	End cap, Mark III	9611-41-674-0	9611-41-674-0	9611-41-674-0	9611-41-674-0	9611-41-674-0	9611-41-674-0

All other parts as above.

Service Kit for Actuator

Service kits, Air/Spring 9611-92-3010

Note:

Butterfly valve 101.6 mm / DN100 sold before 8906 = □ 10 mm

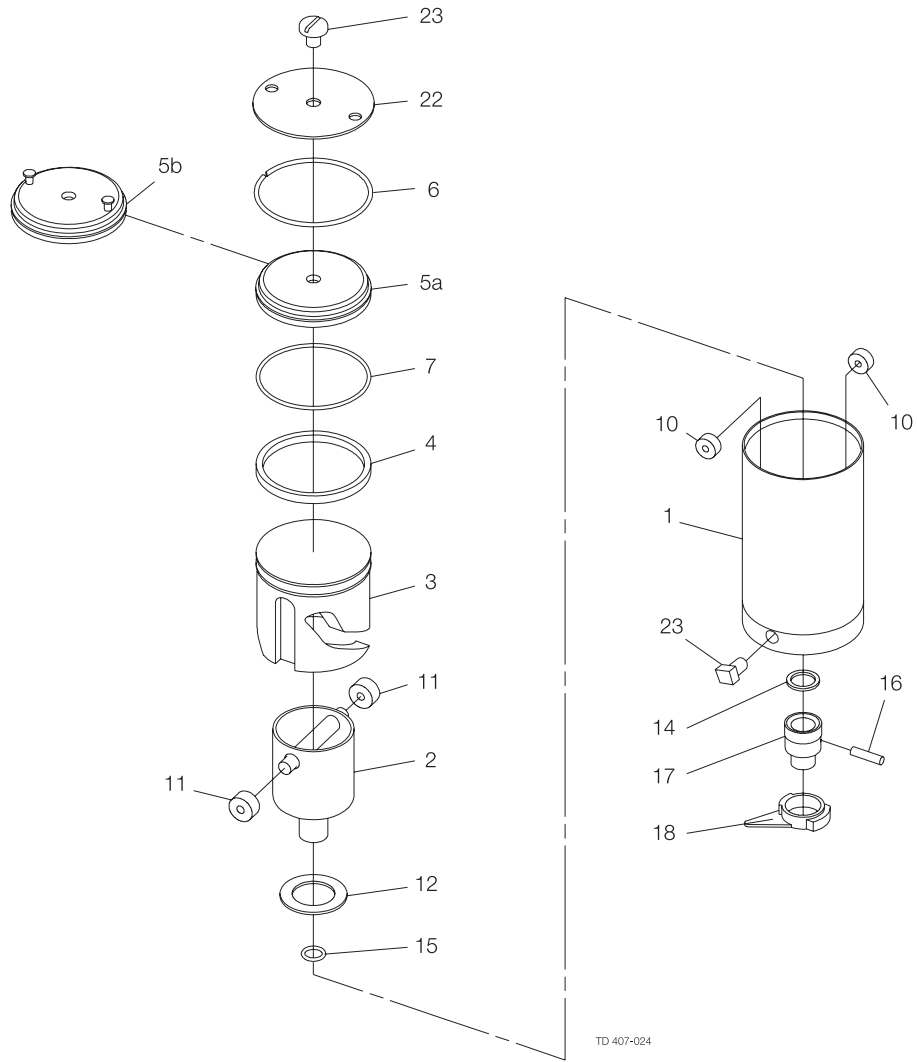
Butterfly valve DN 65 (ISO) sold before 8910 = □ 8 mm

Please check the square size of the disc when ordering spares.

Parts marked with □ are included in the service kit.

Recommended spare parts: Service kit.

900128/2



Pos	Qty	Denomination	25-63.5 mm	76 mm	101.6 mm
			DN 25-50	DN 65-80	DN 100
			Disc □ 8	Disc □ 10	Disc □ 12
1	1	Air Cylinder	9611-41-758-0	9611-41-758-0	9611-41-758-0
2	1	Rotating cylinder	9611-41-744-1	9611-41-744-1	9611-41-744-1
3	1	Piston	9611-41-752-0	9611-41-752-0	9611-41-752-0
4	□ 1	O-ring, NBR	9611-99-0052	9611-99-0052	9611-99-0052
5a	1	End cap, (Period 0011-)	9611-41-633-0	9611-41-633-0	9611-41-633-0
	1	End cap, (Period 8301-0011)	31357-0740-1	31357-0740-1	31357-0740-1
6	1	Retaining ring	9611-40-2021	9611-40-2021	9611-40-2021
7	□ 1	O-ring, NBR	9611-99-0396	9611-99-0396	9611-99-0396
10	□ 2	Needle bearing	9611-99-1230	9611-99-1230	9611-99-1230
11	□ 2	Needle bearing	9611-99-1231	9611-99-1231	9611-99-1231
12	□ 1	Thrust bearing	9611-99-1236	9611-99-1236	9611-99-1236
14	1	Thrust plate	9611-41-757-0	9611-41-757-0	9611-41-757-0
15	□ 1	O-ring, NBR	9611-99-1233	9611-99-1233	9611-99-1233
16	1	Connex pin	9611-99-1235	9611-99-1235	9611-99-1235
17	1	Coupling	9611-41-755-1	9611-41-756-1	9612-0448-02
18	1	Activating ring with screw	9611-41-669-0	9611-41-669-0	9611-41-669-0
22***	1	Retaining plate	9611-41-437-0	9611-41-437-0	9611-41-437-0
23	2	Threaded plug	9611-99-1221	9611-99-1221	9611-99-1221

*** Up to 8910 supplied without holes, not available anymore

Air/Air for Altop

Pos	Qty	Denomination	25-63.5 mm	76 mm	101.6 mm
			DN 25-50	DN 65-80	DN 100
			Disc □ 8	Disc □ 10	Disc □ 12
5b	1	End cap, Mark III	9611-41-674-0	9611-41-674-0	9611-41-674-0

All other parts as above.

Service Kits for Actuator

Service kits, Air/Air 9611-92-3011

Note:

Butterfly valve 101.6 mm / DN100 sold before 8906 = □ 10 mm

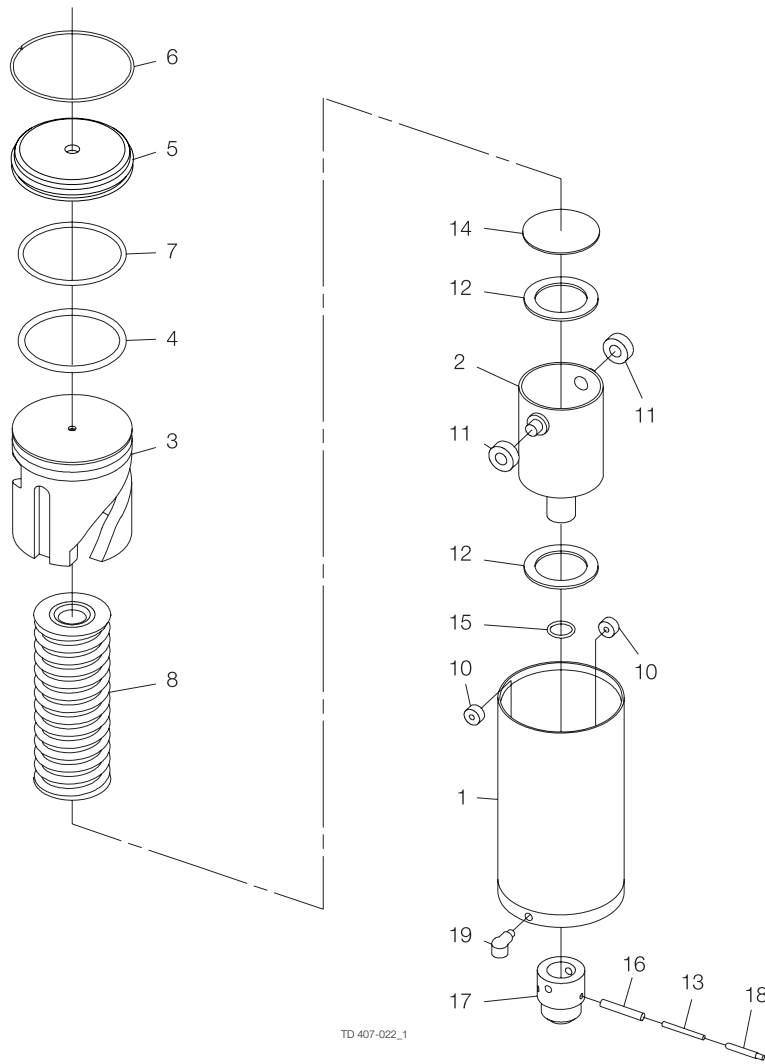
Butterfly valve DN 65 (ISO) sold before 8910 = □ 8 mm

Please check the square size of the disc when ordering spares.

Parts marked with □ are included in the service kit.

Recommended spare parts: Service kit.

900129/1



Pos	Qty	Denomination	NC	NO	NC	NO	NC	NO
			101.6 mm DN 100 Disc □ 12	101.6 mm DN 100 Disc □ 12	DN 125 DN 125 Disc □ 14	DN 125 DN 125 Disc □ 14	DN 150 DN 150 Disc □ 15	DN 150 DN 150 Disc □ 15
1	1	Air cylinder	9612-2685-01	9612-2685-01	9612-2685-01	9612-2685-01	9612-2685-01	9612-2685-01
2	1	Rotating cylinder	9612-2678-01	9612-2678-01	9612-2678-01	9612-2678-01	9612-2678-01	9612-2678-01
3	1	Piston	9612-2700-01	9612-2680-01	9612-2700-01	9612-2680-01	9612-2700-01	9612-2680-01
4	□ 1	O-ring, NBR	9611-99-2367	9611-99-2367	9611-99-2367	9611-99-2367	9611-99-2367	9611-99-2367
5	1	End cap, (Period: 0011-)	9612-2675-01	9612-2675-01	9612-2675-01	9612-2675-01	9612-2675-01	9612-2675-01
	1	End cap, (Period:9001 - 0011) ...	9612-2714-01	9612-2714-01	9612-2714-01	9612-2714-01	9612-2714-01	9612-2714-01
6	1	Retaining ring	9612-2682-01	9612-2682-01	9612-2682-01	9612-2682-01	9612-2682-01	9612-2682-01
7	□ 1	O-ring, NBR	9611-99-0035	9611-99-0035	9611-99-0035	9611-99-0035	9611-99-0035	9611-99-0035
8	1	Spring assembly	9612-2701-01	9612-2701-01	9612-2701-01	9612-2701-01	9612-2701-01	9612-2701-01
10	□ 2	Needle bearing	9611-99-1231	9611-99-1231	9611-99-1231	9611-99-1231	9611-99-1231	9611-99-1231
11	□ 2	Needle bearing	9611-99-2355	9611-99-2355	9611-99-2355	9611-99-2355	9611-99-2355	9611-99-2355
12	□ 2	Thrust bearing	9611-99-2347	9611-99-2347	9611-99-2347	9611-99-2347	9611-99-2347	9611-99-2347
13	1	Connex pin	9611-99-2357	9611-99-2357	9611-99-2357	9611-99-2357	9611-99-2357	9611-99-2357
14	1	Thrust plate	9612-2671-01	9612-2671-01	9612-2671-01	9612-2671-01	9612-2671-01	9612-2671-01
15	□ 1	O-ring, NBR	9611-99-0079	9611-99-0079	9611-99-0079	9611-99-0079	9611-99-0079	9611-99-0079
16	1	Connex pin	9611-99-2358	9611-99-2358	9611-99-2358	9611-99-2358	9611-99-2358	9611-99-2358
17	1	Coupling	9612-2715-01	9612-2715-01	9612-2715-02	9612-2715-02	9612-2715-03	9612-2715-03
18	1	Indication pin	9612-2719-01	9612-2719-01	9612-2719-01	9612-2719-01	9612-2719-01	9612-2719-01
19	1	Water rejector	9611-41-775-0	9611-41-775-0	9611-41-775-0	9611-41-775-0	9611-41-775-0	9611-41-775-0

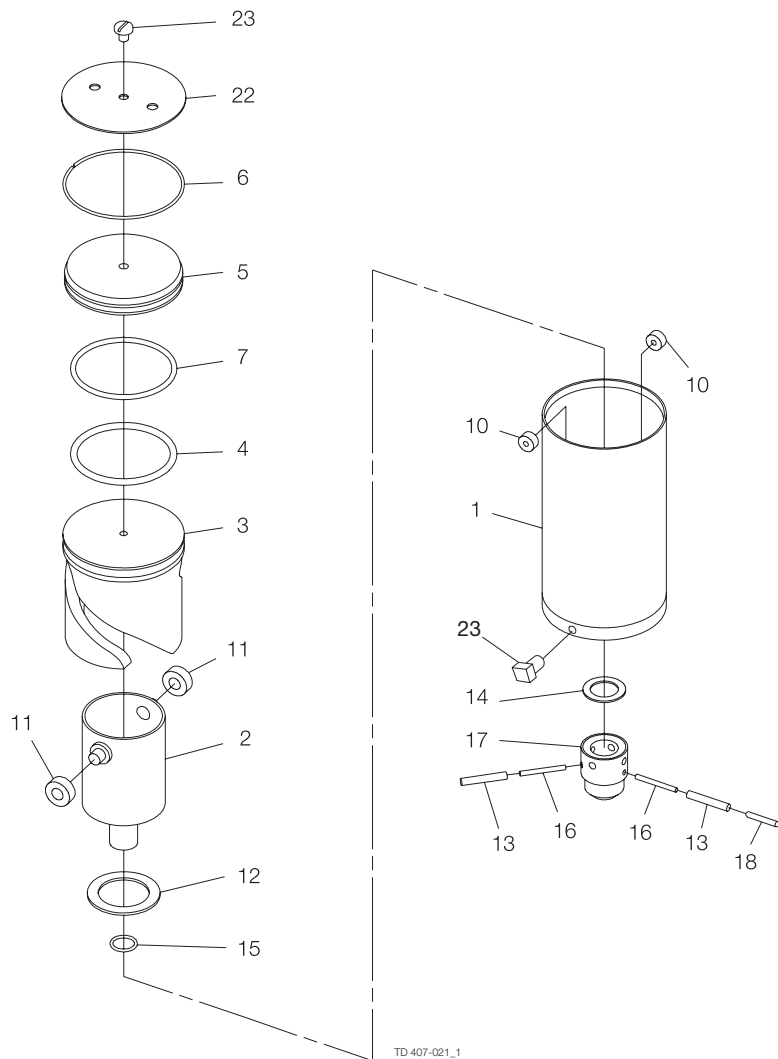
Service Kits for Actuator

Service kits, Air/Spring 9611-92-3020

Parts marked with □ are included in the service kit.

Recommended spare parts: Service kit.

900131



Pos	Qty	Denomination	101.6 mm		
			DN 100 Disc □ 12	DN 125 Disc □ 14	DN 150 Disc □ 15
1	1	Air Cylinder	9612-2685-01	9612-2685-01	9612-2685-01
2	1	Rotating cylinder	9612-2678-01	9612-2678-01	9612-2678-01
3	1	Piston	9612-2680-01	9612-2680-01	9612-2680-01
4	□ 1	O-ring, NBR	9611-99-2367	9611-99-2367	9611-99-2367
5	1	End cap, (Period: 0011-)	9612-2675-01	9612-2675-01	9612-2675-01
	1	End cap, (Period:9001 - 0011)	9612-2714-01	9612-2714-01	9612-2714-01
6	1	Retaining ring	9612-2682-01	9612-2682-01	9612-2682-01
7	□ 1	O-ring, NBR	9611-99-0035	9611-99-0035	9611-99-0035
10	□ 2	Needle bearing	9611-99-1231	9611-99-1231	9611-99-1231
11	□ 2	Needle bearing	9611-99-2355	9611-99-2355	9611-99-2355
12	□ 1	Thrust bearing	9611-99-2347	9611-99-2347	9611-99-2347
13	2	Connex pin	9611-99-2358	9611-99-2358	9611-99-2358
14	1	Thrust plate	9612-2804-01	9612-2804-01	9612-2804-01
15	□ 1	O-ring, NBR	9611-99-0079	9611-99-0079	9611-99-0079
16	2	Connex pin	9611-99-2357	9611-99-2357	9611-99-2357
17	1	Coupling	9612-2827-01	9612-2827-02	9612-2827-03
18	1	Indication pin	9612-2719-01	9612-2719-01	9612-2719-01
22	1	Retaining plate	9612-3486-01	9612-3486-01	9612-3486-01
23	1	Threaded plug	9611-99-1221	9611-99-1221	9611-99-1221

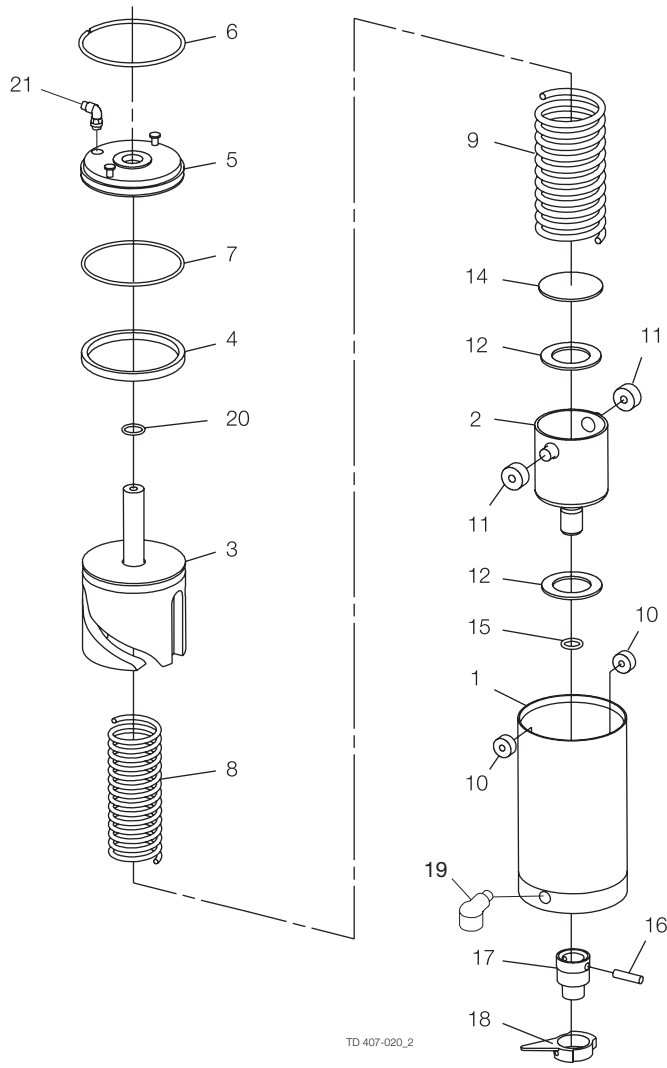
Service Kits for Actuator

Service kits, Air/Air 9611-92-3022

Parts marked with □ are included in the service kit.

Recommended spare parts: Service kit.

900132/1



Pos	Qty	Denomination	NC	NC	NC	NO	NO	NO
			25-63.5 mm DN 25-50 Disc □ 8	76 mm DN 65-80 Disc □ 10	101.6 mm DN 100 Disc □ 12	25-63.5 mm DN 25-50 Disc □ 8	76 mm DN 65-80 Disc □ 10	101.6 mm DN 100 Disc □ 12
1	1	Air cylinder	9611-41-758-0	9611-41-758-0	9611-41-758-0	9611-41-758-0	9611-41-758-0	9611-41-758-0
2	1	Rotating cylinder	9611-41-638-0	9611-41-638-0	9611-41-638-0	9611-41-638-0	9611-41-638-0	9611-41-638-0
3	1	Piston	9612-1939-02	9612-1939-02	9612-1939-02	9612-1939-01	9612-1939-01	9612-1939-01
4	□	O-ring, NBR	9611-99-0052	9611-99-0052	9611-99-0052	9611-99-0052	9611-99-0052	9611-99-0052
5	1	End cap	9612-1936-01	9612-1936-01	9612-1936-01	9612-1936-01	9612-1936-01	9612-1936-01
6	1	Retaining ring	9611-40-202-1	9611-40-202-1	9611-40-202-1	9611-40-202-1	9611-40-202-1	9611-40-202-1
7	□	O-ring, NBR	9611-99-0396	9611-99-0396	9611-99-0396	9611-99-0396	9611-99-0396	9611-99-0396
8	1	Inner spring	9611-99-1629	9611-99-1629	9611-99-1629	9611-99-1629	9611-99-1629	9611-99-1629
9	1	Outer spring	9611-99-1631	9611-99-1631	9611-99-1631	9611-99-1631	9611-99-1631	9611-99-1631
10	□	Needle bearing	9611-99-1230	9611-99-1230	9611-99-1230	9611-99-1230	9611-99-1230	9611-99-1230
11	□	Needle bearing	9611-99-1231	9611-99-1231	9611-99-1231	9611-99-1231	9611-99-1231	9611-99-1231
12	□	Thrust bearing	9611-99-1236	9611-99-1236	9611-99-1236	9611-99-1236	9611-99-1236	9611-99-1236
14	1	Thrust plate	9611-41-646-0	9611-41-646-0	9611-41-646-0	9611-41-646-0	9611-41-646-0	9611-41-646-0
15	□	O-ring, NBR	9611-99-1233	9611-99-1233	9611-99-1233	9611-99-1233	9611-99-1233	9611-99-1233
16	1	Connex pin	9611-99-1235	9611-99-1235	9611-99-1235	9611-99-1235	9611-99-1235	9611-99-1235
17	1	Coupling	9611-41-644-0	9611-41-645-0	9612-0447-03	9611-41-644-0	9611-41-645-0	9612-0447-03
18	1	Activating ring with screw	9611-41-669-0	9611-41-669-0	9611-41-669-0	9611-41-669-0	9611-41-669-0	9611-41-669-0
19	1	Water rejector (period 8310-)	9611-41-775-0	9611-41-775-0	9611-41-775-0	9611-41-775-0	9611-41-775-0	9611-41-775-0
20	□	O-ring, NBR	223404-21	223404-21	223404-21	223404-21	223404-21	223404-21
21	1	Air fitting	9611-99-1988	9611-99-1988	9611-99-1988	9611-99-1988	9611-99-1988	9611-99-1988

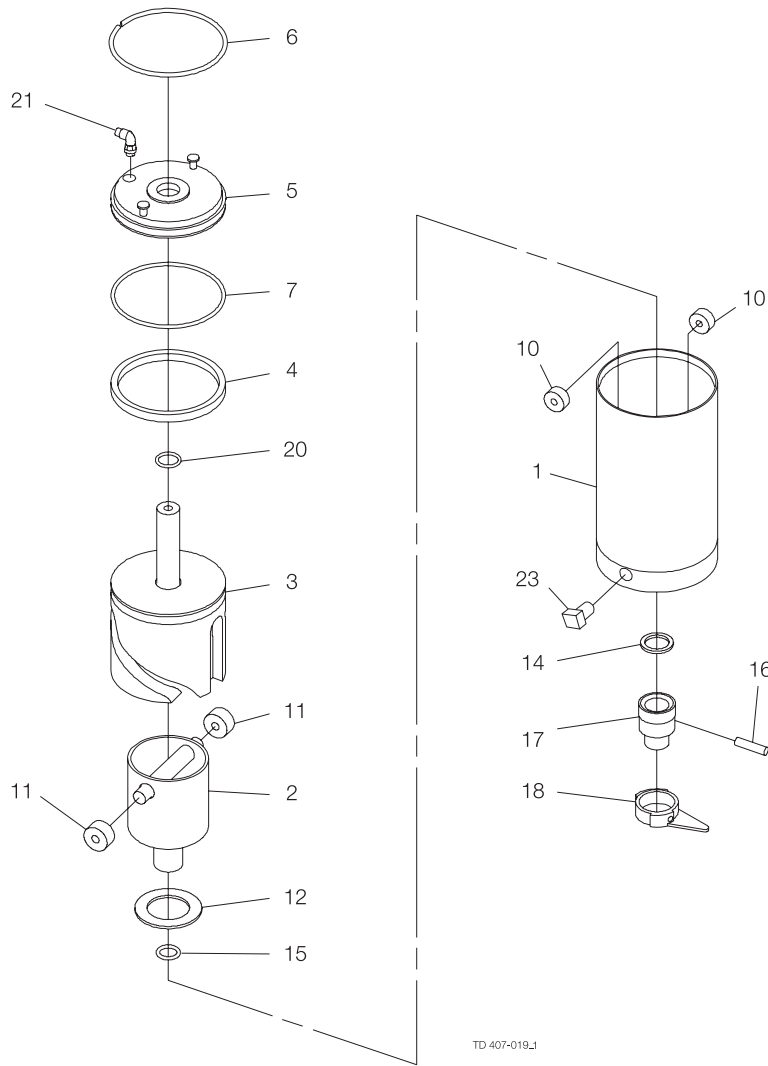
Service Kits for Actuator

Service kits, Air/Spring 9611-92-3021

Parts marked with □ are included in the service kit.

Recommended spare parts: Service kit.

900133/1



Pos	Qty	Denomination	25-63.5 mm	76 mm	101.6 mm
			DN 25-50	DN 65-80	DN 100
			Disc □ 8	Disc □ 10	Disc □ 12
1	1	Air cylinder	9611-41-758-0	9611-41-758-0	9611-41-758-0
2	1	Rotating cylinder	9611-41-744-1	9611-41-744-1	9611-41-744-1
3	1	Piston	9612-1939-03	9612-1939-03	9612-1939-03
4	□ 1	O-ring, NBR	9611-99-0052	9611-99-0052	9611-99-0052
5	1	End cap	9612-1936-01	9612-1936-01	9612-1936-01
6	1	Retaining ring	9611-40-202-1	9611-40-202-1	9611-40-202-1
7	□ 1	O-ring, NBR	9611-99-0396	9611-99-0396	9611-99-0396
10	□ 2	Needle bearing	9611-99-1230	9611-99-1230	9611-99-1230
11	□ 2	Needle bearing	9611-99-1231	9611-99-1231	9611-99-1231
12	□ 1	Thrust bearing	9611-99-1236	9611-99-1236	9611-99-1236
14	1	Thrust plate	9611-41-757-0	9611-41-757-0	9611-41-757-0
15	□ 1	O-ring, NBR	9611-99-1233	9611-99-1233	9611-99-1233
16	1	Connex pin	9611-99-1235	9611-99-1235	9611-99-1235
17	1	Coupling	9611-41-755-1	9611-41-756-1	9612-0448-02
18	1	Activating ring with screw	9611-41-669-0	9611-41-669-0	9611-41-669-0
20	□ 1	O-ring, NBR	223404-21	223404-21	223404-21
21	1	Air fitting	9611-99-1988	9611-99-1988	9611-99-1988
23	1	Threaded plug	9611-99-1221	9611-99-1221	9611-99-1221

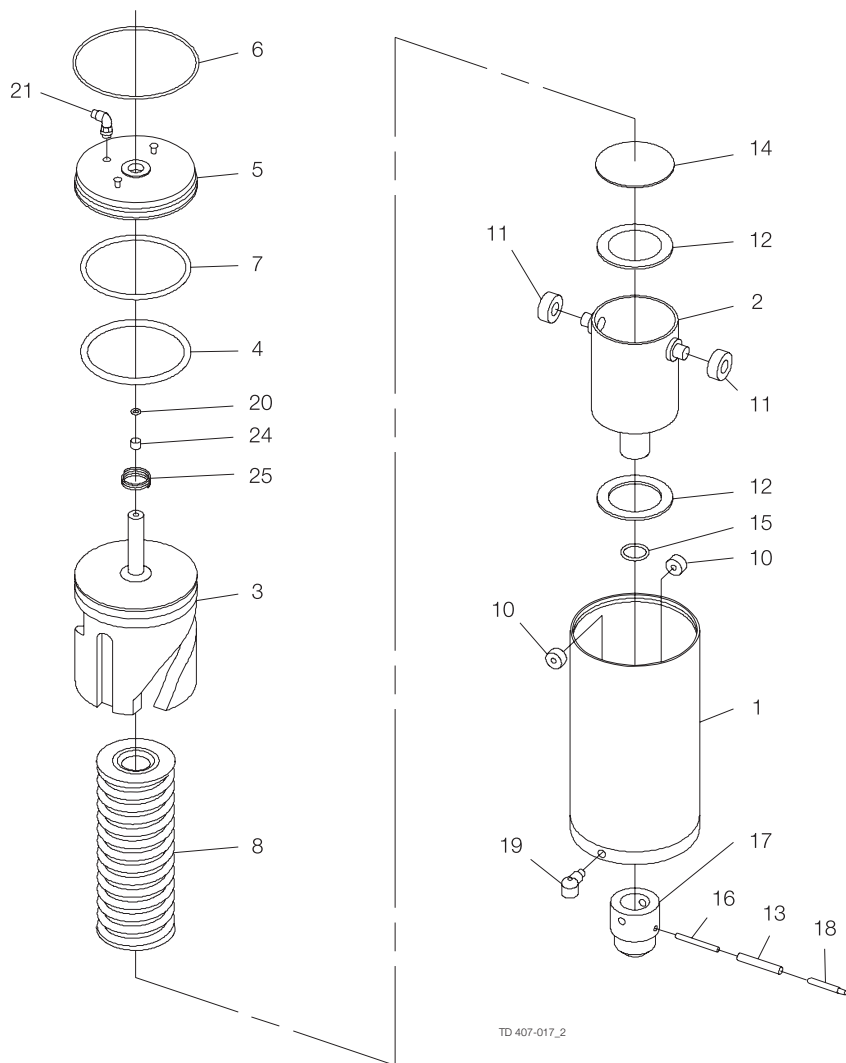
Service Kits for Actuator

Service kits, Air/Air	9611-92-3023
-----------------------------	--------------

Parts marked with □ are included in the service kit.

Recommended spare parts: Service kit.

900134/1



Pos	Qty	Denomination	NC	NO	NC	NO	NC	NO
			101.6 mm DN 100 Disc □ 12	101.6 mm DN 100 Disc □ 12	DN 125 Disc □ 14	DN 125 Disc □ 14	DN 150 Disc □ 15	DN 150 Disc □ 15
1	1	Air cylinder	9612-2685-01	9612-2685-01	9612-2685-01	9612-2685-01	9612-2685-01	9612-2685-01
2	1	Rotating cylinder	9612-2678-01	9612-2678-01	9612-2678-01	9612-2678-01	9612-2678-01	9612-2678-01
3	1	Piston	9612-3699-01	9612-3699-02	9612-3699-01	9612-3699-02	9612-3699-01	9612-3699-02
4	□	O-ring, NBR	9611-99-2367	9611-99-2367	9611-99-2367	9611-99-2367	9611-99-2367	9611-99-2367
5	1	End cap	9612-2714-02	9612-2714-02	9612-2714-02	9612-2714-02	9612-2714-02	9612-2714-02
6	1	Retaining ring	9612-2682-01	9612-2682-01	9612-2682-01	9612-2682-01	9612-2682-01	9612-2682-01
7	□	O-ring, NBR	9611-99-0035	9611-99-0035	9611-99-0035	9611-99-0035	9611-99-0035	9611-99-0035
8	1	Spring assembly	9612-2701-01	9612-2701-01	9612-2701-01	9612-2701-01	9612-2701-01	9612-2701-01
10	□	Needle bearing	9611-99-1231	9611-99-1231	9611-99-1231	9611-99-1231	9611-99-1231	9611-99-1231
11	□	Needle bearing	9611-99-2355	9611-99-2355	9611-99-2355	9611-99-2355	9611-99-2355	9611-99-2355
12	□	Thrust bearing	9611-99-2347	9611-99-2347	9611-99-2347	9611-99-2347	9611-99-2347	9611-99-2347
13	1	Connex pin	9611-99-2357	9611-99-2357	9611-99-2357	9611-99-2357	9611-99-2357	9611-99-2357
14	1	Thrust plate	9612-2671-01	9612-2671-01	9612-2671-01	9612-2671-01	9612-2671-01	9612-2671-01
15	□	O-ring, NBR	9611-99-0079	9611-99-0079	9611-99-0079	9611-99-0079	9611-99-0079	9611-99-0079
16	1	Connex pin	9611-99-2358	9611-99-2358	9611-99-2358	9611-99-2358	9611-99-2358	9611-99-2358
17	1	Coupling	9612-2715-01	9612-2715-01	9612-2715-02	9612-2715-02	9612-2715-03	9612-2715-03
18	1	Indication pin	9612-2719-01	9612-2719-01	9612-2719-01	9612-2719-01	9612-2719-01	9612-2719-01
19	1	Water rejector (period 8310-)	9611-41-775-0	9611-41-775-0	9611-41-775-0	9611-41-775-0	9611-41-775-0	9611-41-775-0
20	□	O-ring	223404-21	223404-21	223404-21	223404-21	223404-21	223404-21
21	1	Air fitting	9611-99-1988	9611-99-1988	9611-99-1988	9611-99-1988	9611-99-1988	9611-99-1988
24	□	Guiding ring	9612-3698-01	9612-3698-01	9612-3698-01	9612-3698-01	9612-3698-01	9612-3698-01
25	1	Spring	9612-3700-01	9612-3700-01	9612-3700-01	9612-3700-01	9612-3700-01	9612-3700-01

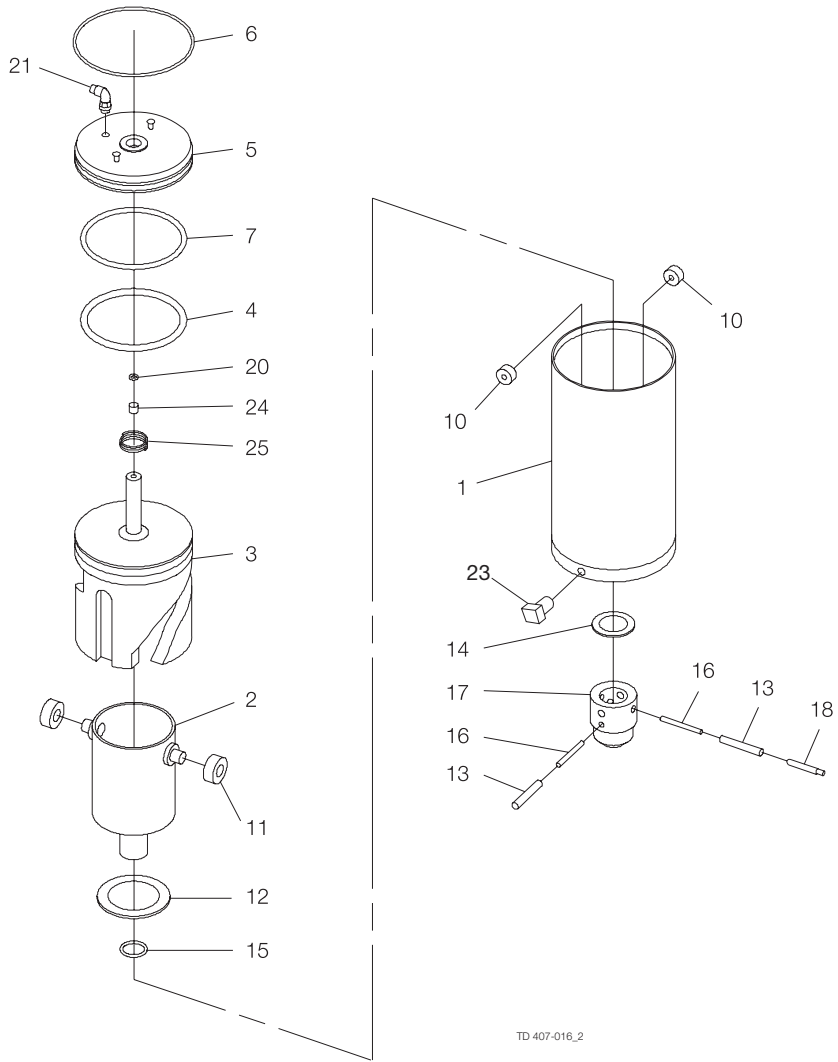
Service Kits for Actuator

Service kits, Air/Spring 9611-92-3056

Parts marked with □ are included in the service kit.

Recommended spare parts: Service kit.

900136



Pos	Qty	Denomination	9612-3749-08		
			101.6 mm DN 100 Disc □ 12	9612-3749-13 DN 125 Disc □ 14	9612-3749-18 DN 150 Disc □ 15
1	1	Air cylinder	9612-2685-01	9612-2685-01	9612-2685-01
2	1	Rotating cylinder	9612-2678-01	9612-2678-01	9612-2678-01
3	1	Piston	9612-3699-02	9612-3699-02	9612-3699-02
4	□ 1	O-ring, NBR	9611-99-2367	9611-99-2367	9611-99-2367
5	1	End cap	9612-2714-02	9612-2714-02	9612-2714-02
6	1	Retaining ring	9612-2682-01	9612-2682-01	9612-2682-01
7	□ 1	O-ring, NBR	9611-99-0035	9611-99-0035	9611-99-0035
10	□ 2	Needle bearing	9611-99-1231	9611-99-1231	9611-99-1231
11	□ 2	Needle bearing	9611-99-2355	9611-99-2355	9611-99-2355
12	□ 1	Thrust bearing	9611-99-2347	9611-99-2347	9611-99-2347
13	2	Connex pin	9611-99-2358	9611-99-2358	9611-99-2358
14	1	Thrust plate	9612-2804-01	9612-2804-01	9612-2804-01
15	□ 1	O-ring, NBR	9611-99-0079	9611-99-0079	9611-99-0079
16	2	Connex pin	9611-99-2357	9611-99-2357	9611-99-2357
17	1	Coupling	9612-2827-01	9612-2827-02	9612-2827-03
18	1	Indication pin	9612-2719-01	9612-2719-01	9612-2719-01
20	□ 1	O-ring, NBR	223404-21	223404-21	223404-21
21	1	Air fitting	9611-99-1988	9611-99-1988	9611-99-1988
23	1	Threaded plug	9611-99-1221	9611-99-1221	9611-99-1221
24	□ 1	Guiding band	9612-3698-01	9612-3698-01	9612-3698-01
25	1	Spring	9612-3700-01	9612-3700-01	9612-3700-01

Service Kits for Actuator

Service kits, Air/Air 9611-92-3057

Parts marked with □ are included in the service kit.

Recommended spare parts: Service kit.

190137/1

How to contact Alfa Laval

Contact details for all countries are continually updated on our website.

Please visit www.alfalaval.com to access the information directly.

© Alfa Laval Corporate AB

This document and its contents is owned by Alfa Laval Corporate AB and protected by laws governing intellectual property and thereto related rights. It is the responsibility of the user of this document to comply with all applicable intellectual property laws. Without limiting any rights related to this document, no part of this document may be copied, reproduced or transmitted in any form or by any means (electronic, mechanical, photocopying, recording, or otherwise), or for any purpose, without the expressed permission of Alfa Laval Corporate AB. Alfa Laval Corporate AB will enforce its rights related to this document to the fullest extent of the law, including the seeking of criminal prosecution.