



ANDERSON-NEGELE

Anderson Instrument Co., Inc.

156 Auriesville Road
Fultonville, NY 12072

Phone: 518-922-5315 or 800-833-0081

Fax: 518-922-8997 or 800-726-6733

Technical Bulletin

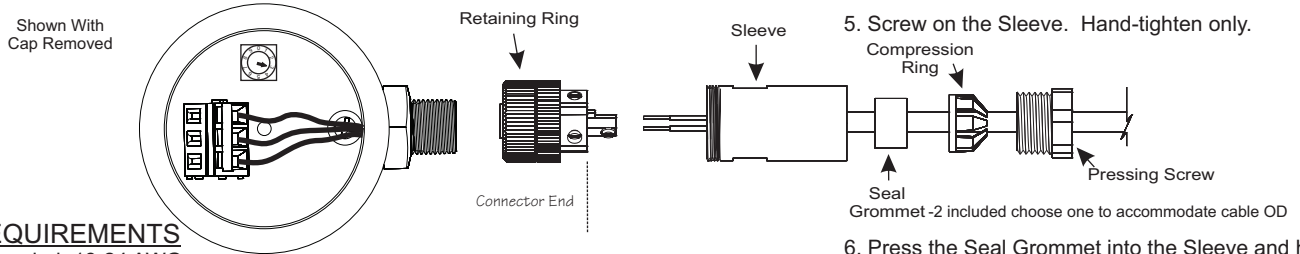
LS Capacitive Point Level Quick Start Installation Guide

Section 1 - Field Wireable Connector

1. Insert cable through Pressing Screw, Compression Ring, Seal Grommet, and Sleeve as shown below.
2. Strip back 1-1/4" of outer sheathing, cut off any excess wires, shield and ground. Strip off 1/4" insulation from remaining four wires. It is not necessary or recommended to tin the wires.

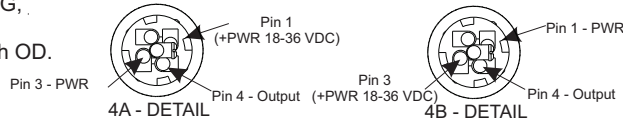
3. Orient Connector end so that center pin connecting screw is horizontal facing right (see detail).

4. Refer to pin detail.
 - 4A - Wiring for full (immersed) indication: Wire PWR+ to top right terminal (Pin 1) and PWR- wire to bottom left (Pin 3). Wire output to bottom right (Pin 4).
 - 4B - Wiring for empty (not immersed) indication: Wire PWR- to top right terminal (Pin 1) and PWR+ to bottom left (Pin 3). Wire output to bottom right (Pin 4).



CABLE REQUIREMENTS

3 conductor, stranded, 18-24 AWG, shielded with ground.
4-8mm (0.16-0.31") Cable Sheath OD.



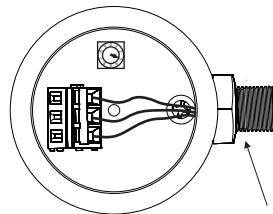
5. Screw on the Sleeve. Hand-tighten only.

6. Press the Seal Grommet into the Sleeve and hand-tighten the Pressing Screw against the compression ring.

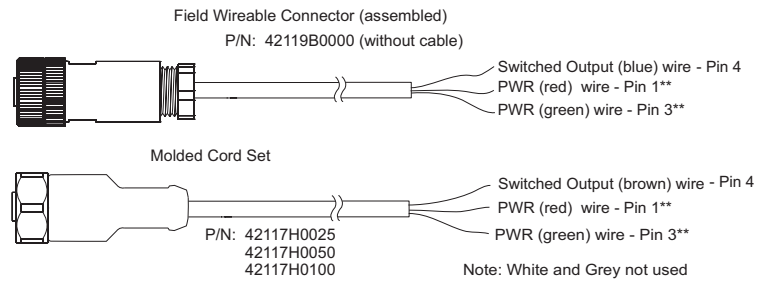
7. Use a wrench to tighten the Pressing Screw another 3/4 turn. Do not over-tighten!

To install connector, simply line up key, press into receptacle, and hand-tighten the retaining ring.

*Receptacle pins should be coated with USDA approved dielectric grease to Minimize possibility of corrosion.



*Dielectric Grease
P/N: 5662400000



** Polarity determined by desired switch action. See switch action below.

Section 2 - Installation

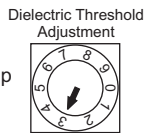
Select Switch Action:

- Switch action is determined by power supply polarity. If field wireable connector is used see instruction 4 in section 1 for wiring instructions. If assembly cable is purchased connect Red conductor to PWR+ (18-36V) and Green conductor to PWR- for full (immersed) indication. Reverse these for empty (not immersed) indication.

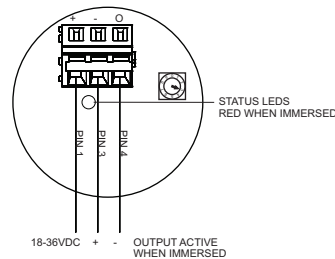
Rotary Switch Output Test & Threshold Adjustment:

1. For installation testing sensor may be set for continuous output:
 - Position 0 - output off
 - Position 1 - output on
2. Positions 2-9 act as a sensitivity adjustment, position selects a minimum dielectric recognized. Reducing dielectric threshold can help eliminate false readings.

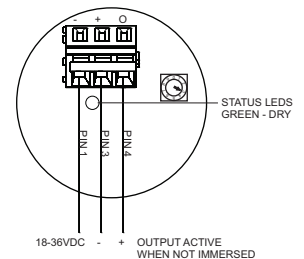
Position 2 - ≥ Dielectric 20	Position 6 - ≥ Dielectric 40
Position 3 - ≥ Dielectric 25	Position 7 - ≥ Dielectric 50
Position 4 - ≥ Dielectric 30	Position 8 - ≥ Dielectric 60
Position 5 - ≥ Dielectric 35	Position 9 - ≥ Dielectric 70



HIGH ACTIVE FULL INDICATION



LOW ACTIVE EMPTY INDICATION



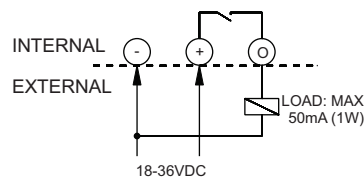
Output Circuit:

Standard unit is PNP output see detail for connection
Optional unit is NPN output see detail for connection

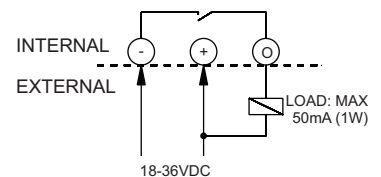
Misc:

- Media must have water content >25% or a dielectric constant >20
- Coatings are generally ignored. Coatings of highly conductive media ≥ 30ms/cm may cause errors.
- Foam is generally ignored

PNP - Sourcing



NPN - Sinking



Section 3 - Specification

Operation/Environmental Specifications

Ambient Temperature Limits: 14 - 140°F (-10 - 60°C)
 Pressure Rating: 150 PSI (10 BAR) max
 Process Temperature Limits: 32 - 212°F (0 - 100°C)
 CIP Cleaning: 302°F (150°C) max 60 minutes

Function: Full/empty signal determined by wiring

Response Time: 0.1s

Minimum Dielectric Threshold: Selectable from 20-70

Enclosure Protection:

Designed and factory tested to NEMA 4x, IP69K; Suitable for use in wet environments at up to 100% relative humidity.

Electrical Specifications

Voltage Required: 24 VDC (18 to 36 Vdc (≤ 20mA))
 Power Consumption: 0.6 W Typ. (i.e. 25mA at 24 Vdc)
 Signal Output: PNP - Sourcing (active 50mA)
 Optional NPN-Sinking (max 50mA)

Signal Transmission Power: ≤ 1mw

Connection: One 3 pin M12 Micro-mini electrical connector (QDR)

Mechanical Specifications

Wetted Materials: 316L Stainless Steel, PEEK
 Wetted Finish: Better than Ra=32
 Housing Material: 300 series Stainless Steel housing, lid and threaded connection (non contact surfaces)

Agency Approval: CE compliant;
 3-A compliant, Third party verified in accordance with standard 74-03

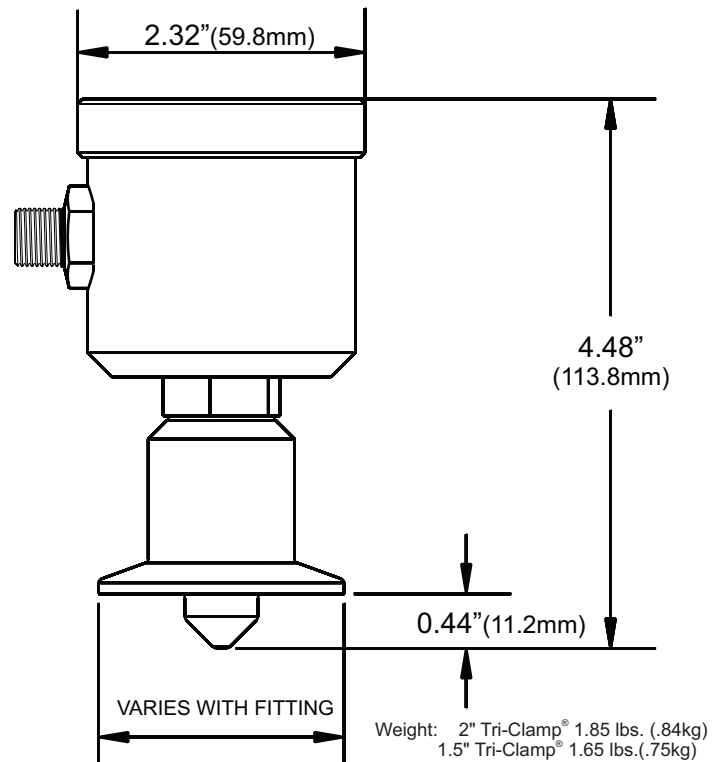
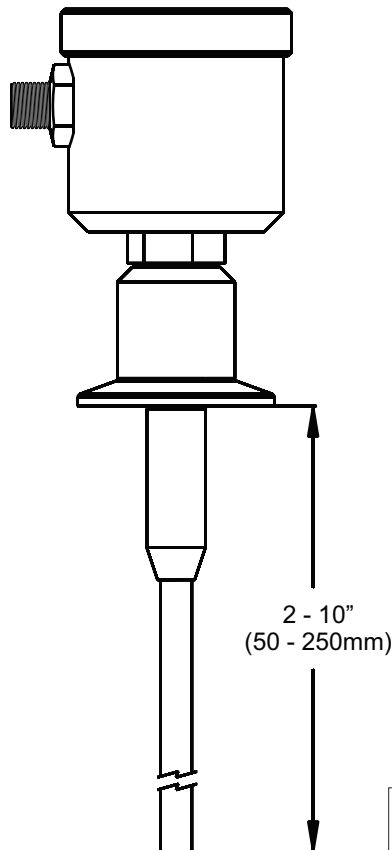
ETL Listed

Conforms to UL Std 61010-1 3rd Ed (with Display Window option "0" only)
 Certified to CSA Std C22.2 61010-1 3rd Ed (with Display Window option "0" only)

Visual Indication

Status LED: Red - Probe Immersed
 Green - Probe Dry

Warranty: 2 years



ATTENTION: CONNECTOR WIRING		
Full Ind	Empty Ind	SENSOR END
Pin1 - 18-36 VDC	VDC Com	PIN 1
Pin3 - VDC Com	18-36 VDC	PIN 4
Pin4 - Switch Output	MAX 50 mA	PIN 3
Refer to technical bulletin for Anderson cable color coding		