



RODEM[®]

PROCESS EQUIPMENT

www.rodem.com 800-543-7312

Spare Parts

Toftejorg MultiJet 40

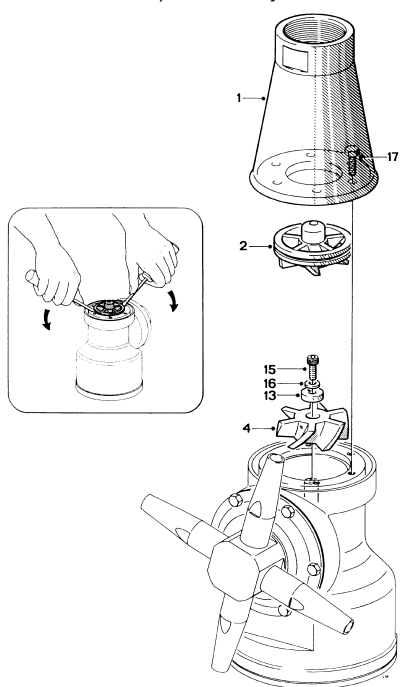
EPS00158-EN1 2011-01

Original manual

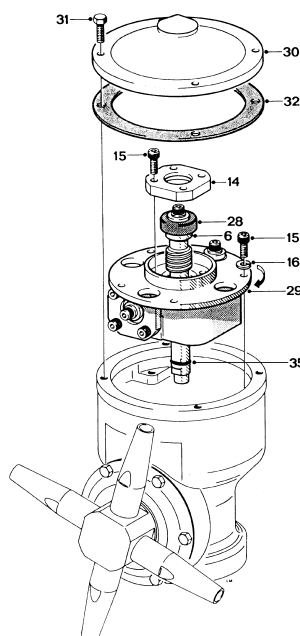
The information herein is correct at the time of issue but may be subject to change without prior notice

1. Toftejorg MultiJet 40 4

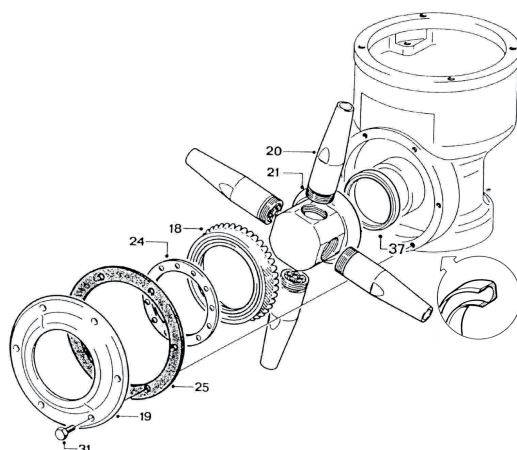
Top assembly



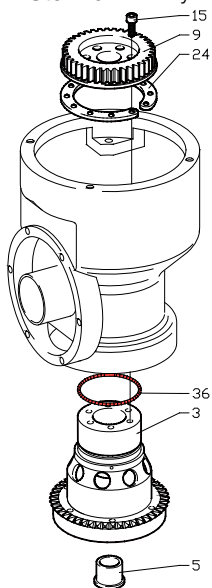
Bottom assembly



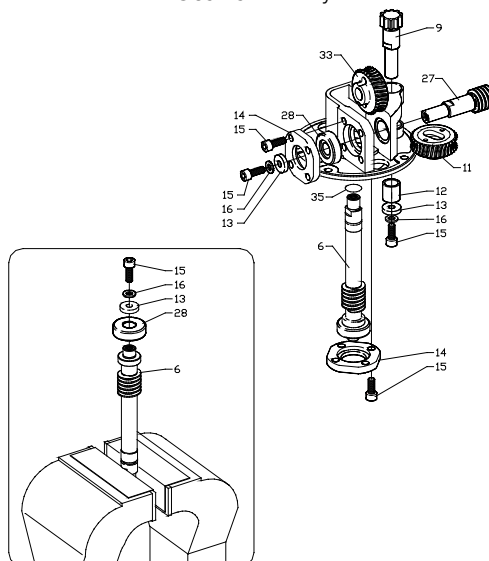
Hub assembly



Stem assembly



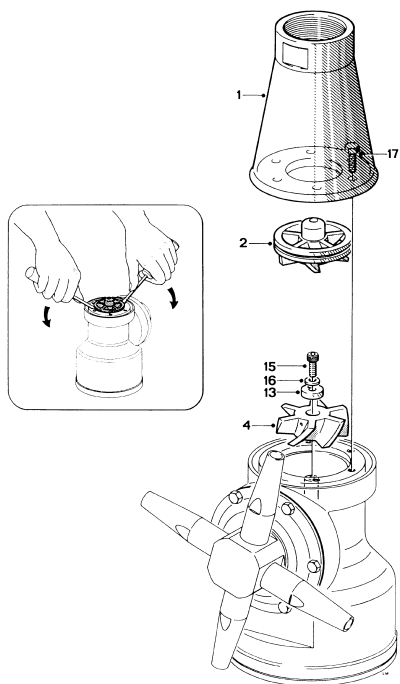
Gear assembly



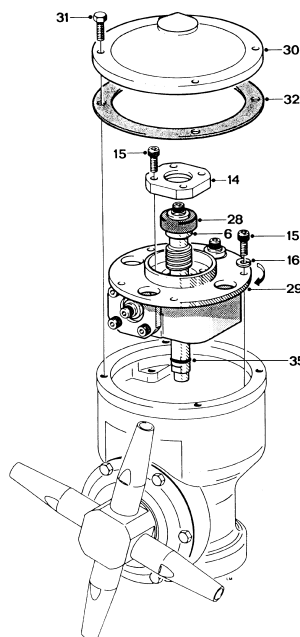
Reference List of Parts, Toftejorg MultiJet 40

Pos	Qty	Denomination	Ref. No.
1	1	Top Cone 1½" BSP, Stainless steel	TE21D502
	1	Top Cone 1½" NPT, Stainless steel	TE21D503
2	1	Guide 100%, Stainless steel	TE703
	1	Guide ring 0%, Stainless steel	TE803-0
3	1	Stem, Stainless steel	TE21D557
4	1	Impeller 100%, Stainless steel	TE705
5	1	Main bush, Hard-wearing plastic matr.	TE21A525
6	1	Turbine shaft, Stainless steel	TE21F503
7	1	Gear wheel w. ball race, Stainless steel	TE712-13
7.1	-1	Ball race, Stainless steel	TE826-1
9	1	Pinion, Stainless steel	TE814
10	3	Collar bush, Hard-wearing plastic matr.	TE21A585
11	1	Worm wheel w. reinforcem., Hard-wearing plastic matr.	TE21A367
12	1	Journal, Stainless steel	TE817
13	4	Washer, Stainless steel	TE719A
14	2	Bearing cover, Stainless steel	TE731
15	22	Screw, Stainless steel	TE118
16	8	Spring washer, Stainless steel	TE156
17	6	Screw, Stainless steel	TE402H
18	1	Bevel gear w. ball race, Stainless steel	TE722S
18.1	-1	Ball race, Stainless steel	TE826-1
19	1	Hub cover w. ball race, Stainless steel	TE21D343
19.1	-1	Ball race, Stainless steel	TE826-1
20	4	Nozzle ø6 mm, Stainless steel	TE50A006
	4	Nozzle ø7 mm, Stainless steel	TE50A007
	4	Nozzle ø8 mm, Stainless steel	TE50A008
21	1	Hub, Stainless steel	TE21C536
24	2	Ball retainer w. balls, Plastic matr./stainless steel	TE21A380
25	1	Hub gasket, Teflon TFM	TE21D562
26	1	Body, Stainless steel	TE21D510
26.1	1	Main collar upper, Plastic matr.	TE21D558
26.2	1	Main collar lower, Plastic matr.	TE21B521
26.3	1	Ball race, Stainless steel	TE826-1
27	1	Horizontal shaft, Stainless steel	TE828Z
28	2	Slide bearing, Plastic matr.	TE21A570
29	1	Gear frame, Stainless steel	TE730
30	1	Bottom cover, compl., Stainless steel	TE21D351
31	10	Screw, Stainless steel	TE421H
32	1	Bottom gasket, Teflon TFM	TE21D563
33	1	Worm wheel w. reinforcem., Hard-wearing plastic	TE21A367
34	1	O-ring, Viton	TE807
35	1	O-ring, Viton	TE810
36	1	O-ring, Viton	TE825
37	1	Lip seal, Plastic matr.	TE21B549

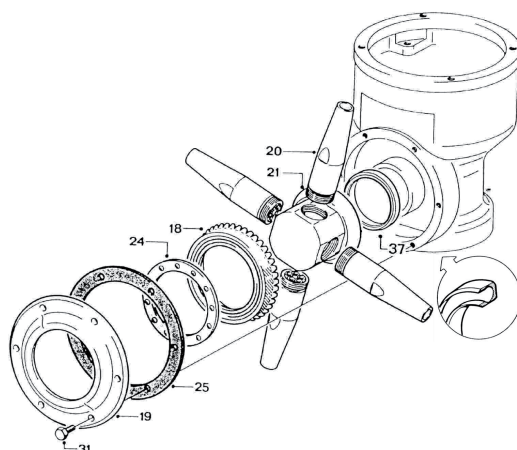
Top assembly



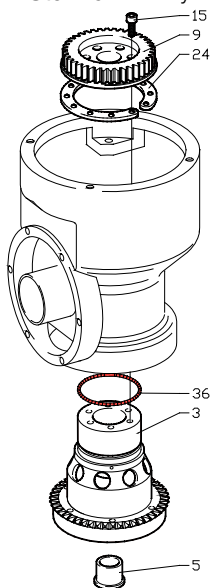
Bottom assembly



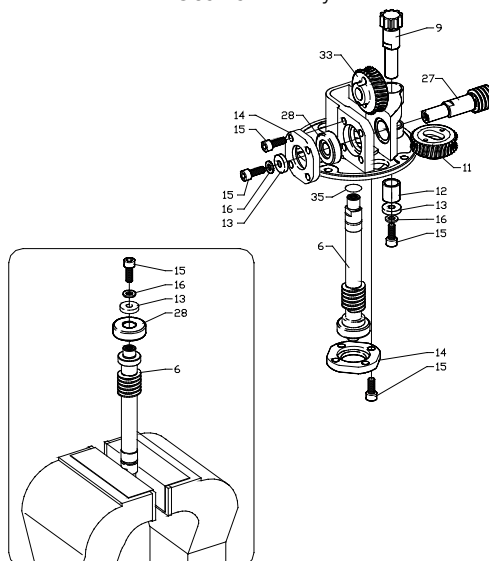
Hub assembly



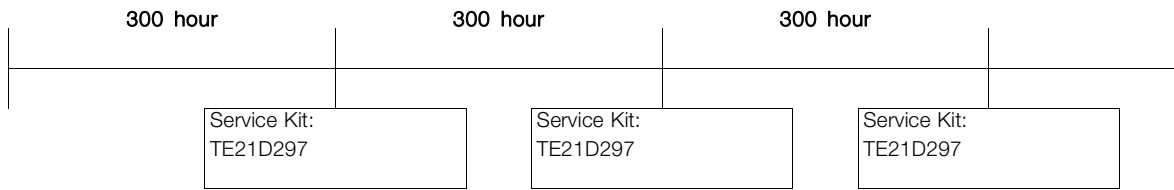
Stem assembly



Gear assembly



Service intervals



Pos	Qty	Denomination	Part No.
	1	Main bush, PEEK	TE21A525
	3	Collar bush, PEEK	TE21A585
	2	Slide bearing, PEEK	TE21A570
	2	Worm wheel, PEEK	TE21A367
	1	O-ring	TE807
	1	O-ring	TE810
	1	O-ring	TE825
	1	Lip Seal	TE21B549

Pos	Qty	Denomination	Tool No.
		Hex Key for Screw	TE134
		Hex Screwdriver for Screw	TE134A
		Socket wrench for Hex Screw	TE462A

How to contact Alfa Laval

Contact details for all countries are continually updated on our website.

Please visit www.alfalaval.com to access the information directly.

© Alfa Laval Corporate AB

This document and its contents is owned by Alfa Laval Corporate AB and protected by laws governing intellectual property and thereto related rights. It is the responsibility of the user of this document to comply with all applicable intellectual property laws. Without limiting any rights related to this document, no part of this document may be copied, reproduced or transmitted in any form or by any means (electronic, mechanical, photocopying, recording, or otherwise), or for any purpose, without the expressed permission of Alfa Laval Corporate AB. Alfa Laval Corporate AB will enforce its rights related to this document to the fullest extent of the law, including the seeking of criminal prosecution.