



RODEM[®]

PROCESS EQUIPMENT

www.rodem.com 800-543-7312

Spare Parts

Toftejorg MultiJet 65

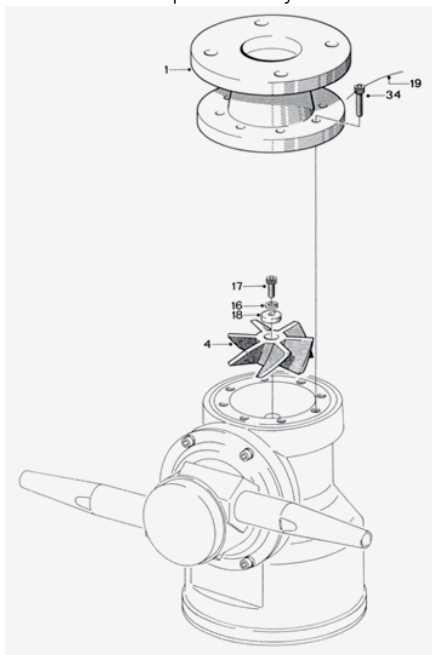
EPS00168-EN1 2011-01

Original manual

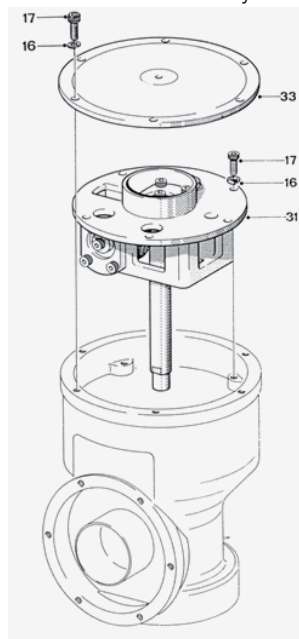
The information herein is correct at the time of issue but may be subject to change without prior notice

1. Toftejorg MultiJet 65 4

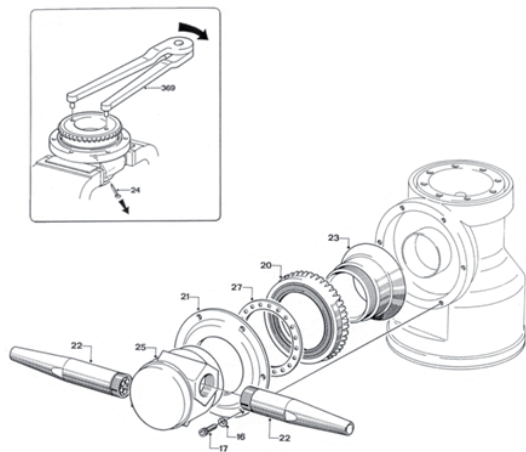
Top assembly



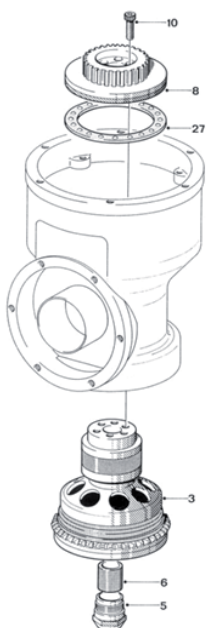
Bottom assembly



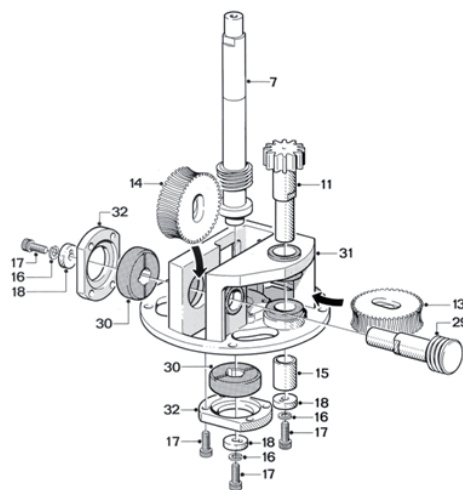
Hub assembly



Stem subassembly



Gear subassembly

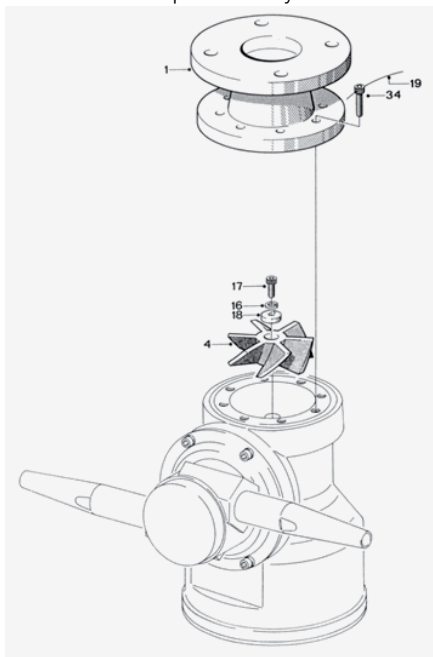


Reference List of Parts, Toftejorg MultiJet 65

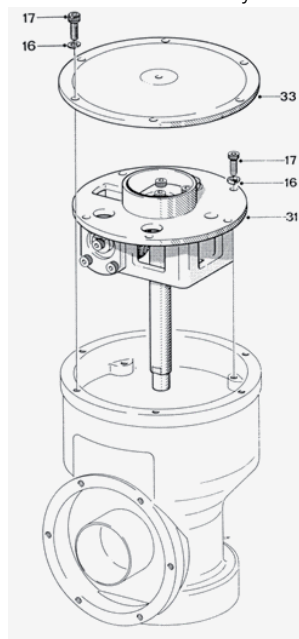
With 2 nozzles

Pos	Qty	Denomination	Ref. no.
1	1	Cone 2½" BSP, Stainless steel	TE23M503
	1	Cone 2½" NPT, Stainless steel	TE23M504
3	1	Stem , Stainless steel/Polymer	TEB604Z
3.1	0	Bottom liner, Polymer	TEB604-2
3.2	0	Top liner, Polymer	TEB604-1
4	1	Impeller 100%, Stainless steel	TEB605
5	1	Gland , Stainless steel	TE608Z
6	1	Main bush, Polymer	TE609P
7	1	Turbine shaft, Stainless steel	TE911K
8	1	Gear wheel w. ball race, Stainless steel	TE512-13
8.1	0	Ball race, Stainless steel	TE126-1
10	14	Screw, Stainless steel	TE120
11	1	Pinion, Stainless steel	TE114
12	3	Collar bush, Carbon	TE615K
13	1	Wormwheel w. reinforc., Polymer/Stainless steel	TE22A360
14	1	Wormwheel w. reinforce., Polymer/Stainless steel	TE22A360
	1	Worm wheel E-gear, Stainless steel	TE22A564
15	1	Journal, Stainless steel	TE117
16	21	Spring washer, Stainless steel	TE156
17	29	Screw, Stainless steel	TE118
18	4	Washer, Stainless steel	TE619A
20	1	Bevel gear w. ball race, Stainless steel	TE622S
20.1	0	Ball race, Stainless steel	TE126-1
21	1	Hub cover, Stainless steel	TE22M502
21.1	1	Ball race, Stainless steel	TE126-1
22	2	Nozzle, ø15 mm, Stainless steel	TE50C015
	2	Nozzle, ø17 mm, Stainless steel	TE50C017
	2	Nozzle, ø19 mm, Stainless steel	TE50C019
	2	Nozzle, ø21 mm, Stainless steel	TE50C021
23	1	Hub conical part, Stainless steel/Polymer	TE624-OKZ
23.1	0	Hub liner, Polymer	TE624-11
24	1	Cotter pin, Stainless steel	TE448
25	1	Hub nozzle part, Stainless steel	TE624-2-15
27	2	Ball retainer w. balls, Polymer/Stainless steel	TE126S
28	1	Body, Stainless steel	TE23M500
28.2	1	Main collar lower	TE22E516
28.3	1	Ball race, Stainless steel	TE126-1
29	1	Horizontal shaft, Stainless steel	TE128Z
	1	Horizontal shaft E-gear, Stainless steel	TE128E
30	2	Slide bearing, Carbon	TE929K
31	1	Gear frame w. bushes, Stainless steel/carbon	TE630R
32	2	Bearing cover, Stainless steel	TE531
33	1	Bottom cover, Stainless steel	TE22M501

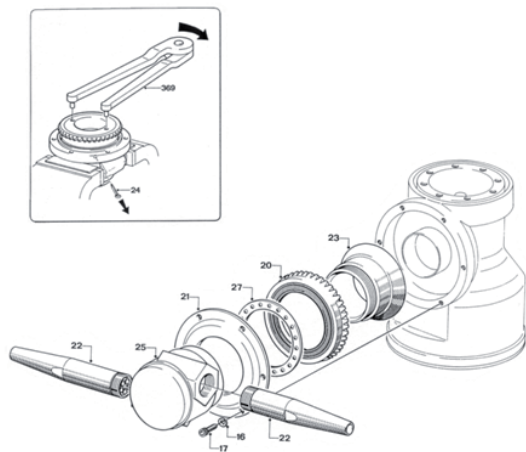
Top assembly



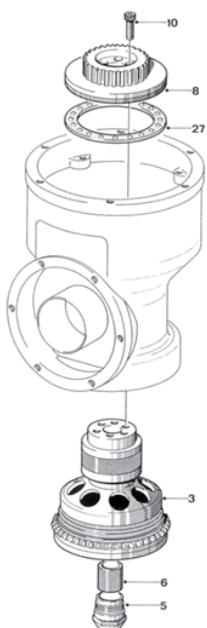
Bottom assembly



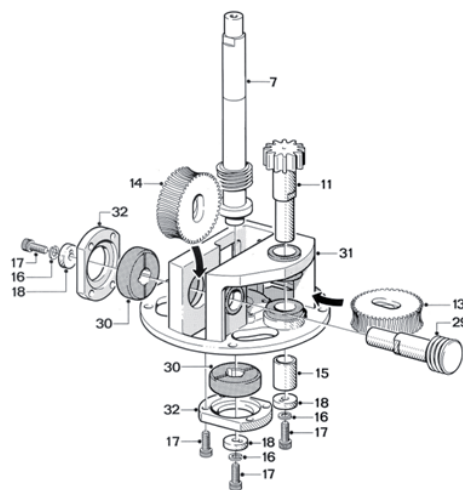
Hub assembly



Stem subassembly



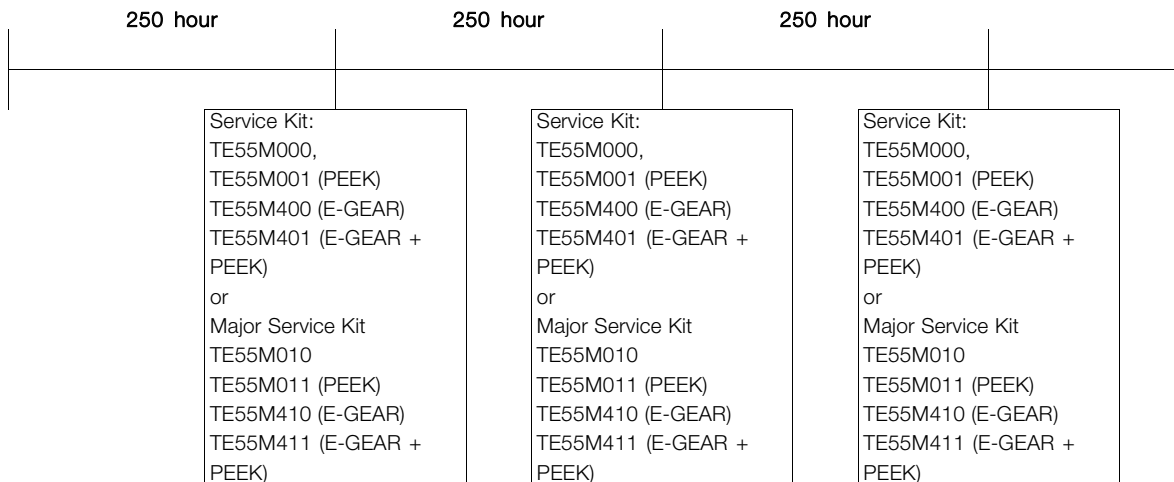
Gear subassembly



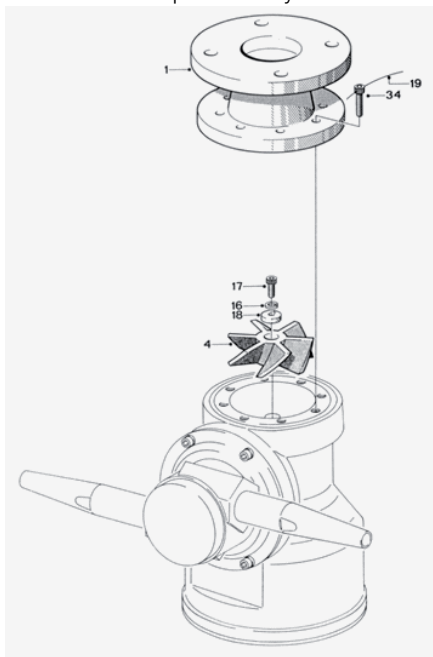
Reference List of Parts, Toftejorg MultiJet 65
With 4 nozzles

Pos	Qty	Denomination	Ref. no.
1	1	Cone 2½" BSP, Stainless steel	TE23M503
	0	Cone 2½" NPT, Stainless steel	TE23M504
3	1	Stem , Stainless steel/Polymer	TEB604Z
3.1	0	Bottom liner, Polymer	TEB604-2
3.2	0	Top liner, Polymer	TEB604-1
4	1	Impeller 100%, Stainless steel	TEB605
5	1	Gland , Stainless steel	TE608Z
6	1	Main bush, Polymer	TE609P
7	1	Turbine shaft, Stainless steel	TE911K
8	1	Gear wheel w. ball race, Stainless steel	TE512-13
8.1	0	Ball race, Stainless steel	TE126-1
10	14	Screw, Stainless steel	TE120
11	1	Pinion, Stainless steel	TE114
12	3	Collar bush, Carbon	TE615K
13	1	Wormwheel w. reinforc., Polymer/Stainless steel	TE22A360
14	1	Wormwheel w. reinforce., Polymer/Stainless steel	TE22A360
15	1	Journal, Stainless steel	TE117
16	21	Spring washer, Stainless steel	TE156
17	29	Screw, Stainless steel	TE118
18	4	Washer, Stainless steel	TE619A
20	1	Bevel gear w. ball race, Stainless steel	TE622S
20.1	0	Ball race, Stainless steel	TE126-1
21	1	Hub cover, Stainless steel	TE22M502
21.1	1	Ball race, Stainless steel	TE126-1
22	4	Nozzle, ø12 mm, Stainless steel	TE50B012
	4	Nozzle, ø13 mm, Stainless steel	TE50C013
	4	Nozzle, ø14 mm	TE50C014
	4	Nozzle, ø15 mm, Stainless steel	TE50C015
23	1	Hub conical part, Stainless steel/Polymer	TE624-4KZ
23.1	0	Hub liner, Polymer	TE624-11
27	2	Ball retainer w. balls, Polymer/Stainless steel	TE126S
28	1	Body, Stainless steel	TE23M500
28.2	1	Main collar lower, Stainless steel	TE22E516
28.3	1	Ball race, Stainless steel	TE126-1
29	1	Horizontal shaft, Stainless steel	TE128Z
30	2	Slide bearing, Carbon	TE929K
31	1	Gear frame w. bushes, Stainless steel/carbon	TE630R
32	2	Bearing cover, Stainless steel	TE531
33	1	Bottom cover, Stainless steel	TE22M501

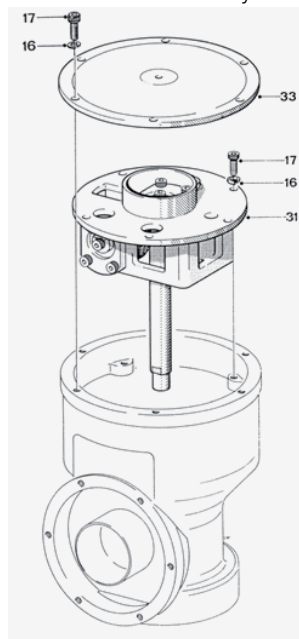
Service intervals



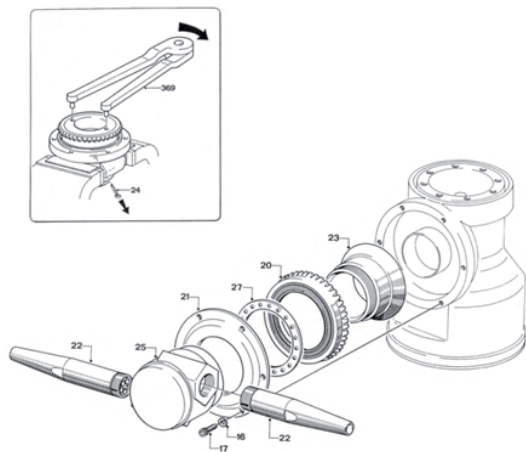
Top assembly



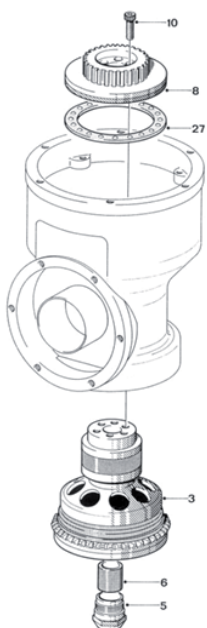
Bottom assembly



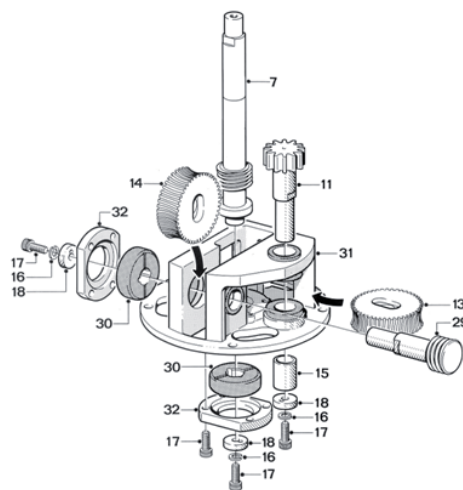
Hub assembly



Stem subassembly



Gear subassembly



Service Kit Minor for Toftejorg MultiJet 65

Article No. TE55M000

Pos	Qty	Denomination	Part No.
	2	Worm wheel w. reinforcement	TE22A360
	1	Main bush	TE609P
	3	Collar bush	TE615K
	4	Locking Wire	TE651
	2	Slide bearing	TE929K

Service Kit Minor for Toftejorg MULTIJET 65 (PEEK)

Article No. TE55M001

Pos	Qty	Denomination	Part No.
	1	Main bush	TE22B575
	3	Collar bush	TE615K
	2	Worm wheel w. reinforcement	TE22A360
	4	Locking Wire	TE651
	2	Slide bearing	TE22A570

Service Kit Minor for Toftejorg MultiJet 65 (E-gear)

Article No. TE55M400

Pos	Qty	Denomination	Part No.
	1	Main bush	TE609P
	3	Collar bush	TE615K
	1	Worm wheel w. reinforcement	TE22A360
	1	Worm wheel w. reinforcement, E-gear	TE22A564
	4	Locking Wire	TE651
	2	Slide bearing	TE929K

Service Kit Minor for Toftejorg MultiJet 65 (E-gear, PEEK)

Article No. TE55M401

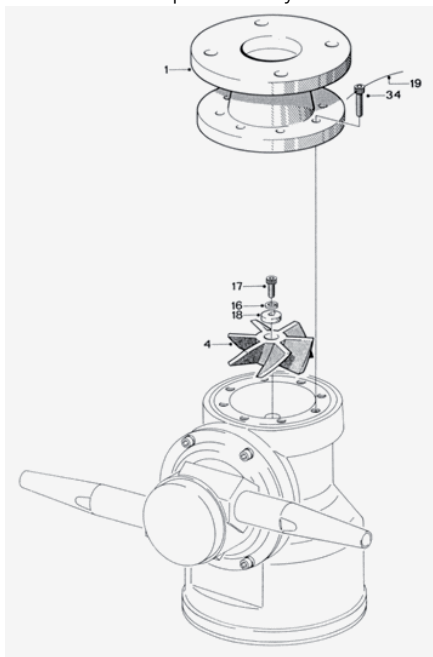
Pos	Qty	Denomination	Part No.
	1	Main bush	TE609P
	3	Collar bush	TE615K
	1	Worm wheel w. reinforcement	TE22A360
	1	Worm wheel w. reinforcement, E-gear	TE22A364
	4	Locking Wire	TE651
	2	Slide bearing	TE929K

Service Kit Major for Toftejorg MultiJet 65

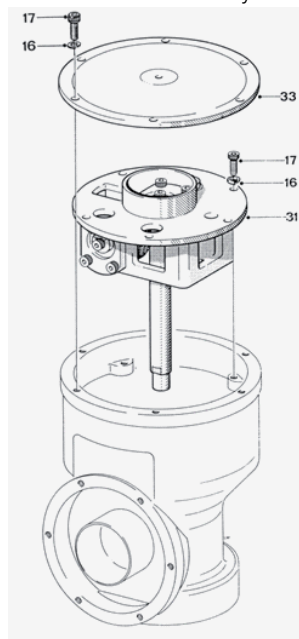
Article No. TE55M010

Pos	Qty	Denomination	Qty x P/n
	1	Turbine shaft	TE911K
	4	Ball race	TE126-1
	1	Hub liner	TE624-11
	1	Cotter pin	TE448
	2	Ball retainer w balls.	TE126S
	1	Main collar, upper	TE127Z1
	1	Main collar, lower	TE127Z2
	1	Collar, hub	TE127-3
	1	Horizontal shaft	TE128Z
	1	Service Kit Minor	TE55M000

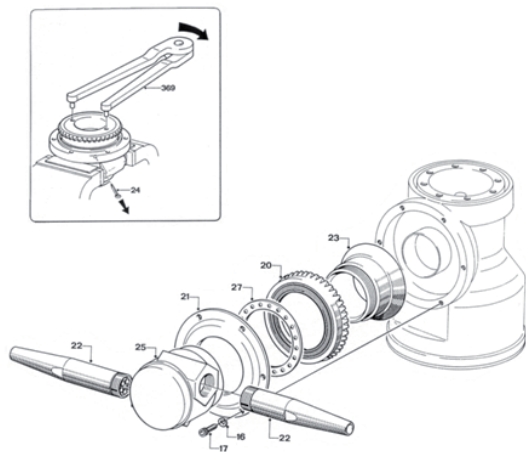
Top assembly



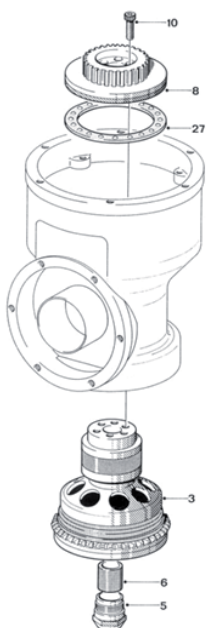
Bottom assembly



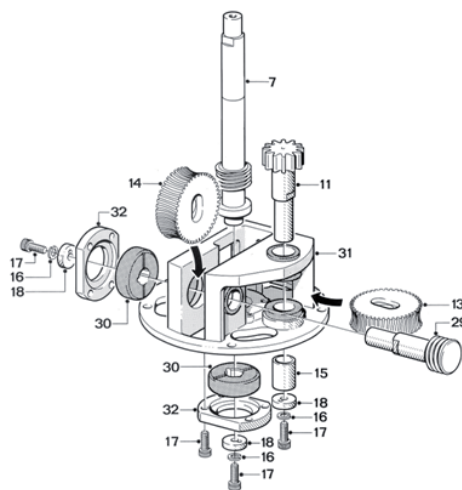
Hub assembly



Stem subassembly



Gear subassembly



Service Kit Major for Toftejorg MultiJet 65 (PEEK)

Article No. TE55M011

Pos	Qty	Denomination	Qty x P/n
	1	Turbine shaft	TE911K
	4	Ball race	TE126-1
	1	Hub liner	TE624-11
	1	Cotter pin	TE448
	2	Ball retainer w balls.	TE126S
	1	Main collar, upper	TE127Z1
	1	Main collar, lower	TE127Z2
	1	Horizontal shaft	TE128Z
	1	Service Kit Minor	TE55M001

Service Kit Major for Toftejorg MultiJet 65 (E-gear)

Article No. TE55M410

Pos	Qty	Denomination	Qty x P/n
	1	Turbine shaft	TE911K
	4	Ball race	TE126-1
	1	Hub liner	TE624-11
	1	Cotter pin	TE448
	2	Ball retainer w balls.	TE126S
	1	Main collar, upper	TE127Z1
	1	Main collar, lower	TE127Z2
	1	Hub collar	TE127-3
	1	Horizontal shaft	TE128E
	1	Service Kit Minor	TE55M400

Service Kit Major for Toftejorg MultiJet 65 (E-gear, PEEK)

Article No. TE55M411

Pos	Qty	Denomination	Qty x P/n
	1	Turbine shaft	TE911K
	4	Ball race	TE126-1
	1	Hub liner	TE624-11
	1	Cotter pin	TE448
	2	Ball retainer w balls.	TE126S
	1	Main collar, upper	TE127Z1
	1	Main collar, lower	TE127Z2
	1	Hub collar	TE127-3
	1	Horizontal shaft	TE128E
	1	Service Kit Minor	TE55M401

Standard Tool kit for Toftejorg MultiJet 65

Article no. TE81B065

Pos	Qty	Denomination	Tool No.
	1	Unbraco key for screw	TE134
	1	Unbraco screw driver	TE134A
	1	Unbraco key for screw	TE135
	1	Unbraco screw driver	TE135A
	1	Caliper	TE369

How to contact Alfa Laval

Contact details for all countries are continually updated on our website.

Please visit www.alfalaval.com to access the information directly.

© Alfa Laval Corporate AB

This document and its contents is owned by Alfa Laval Corporate AB and protected by laws governing intellectual property and thereto related rights. It is the responsibility of the user of this document to comply with all applicable intellectual property laws. Without limiting any rights related to this document, no part of this document may be copied, reproduced or transmitted in any form or by any means (electronic, mechanical, photocopying, recording, or otherwise), or for any purpose, without the expressed permission of Alfa Laval Corporate AB. Alfa Laval Corporate AB will enforce its rights related to this document to the fullest extent of the law, including the seeking of criminal prosecution.