



RODEM[®]

PROCESS EQUIPMENT

www.rodem.com 800-543-7312

Spare Parts

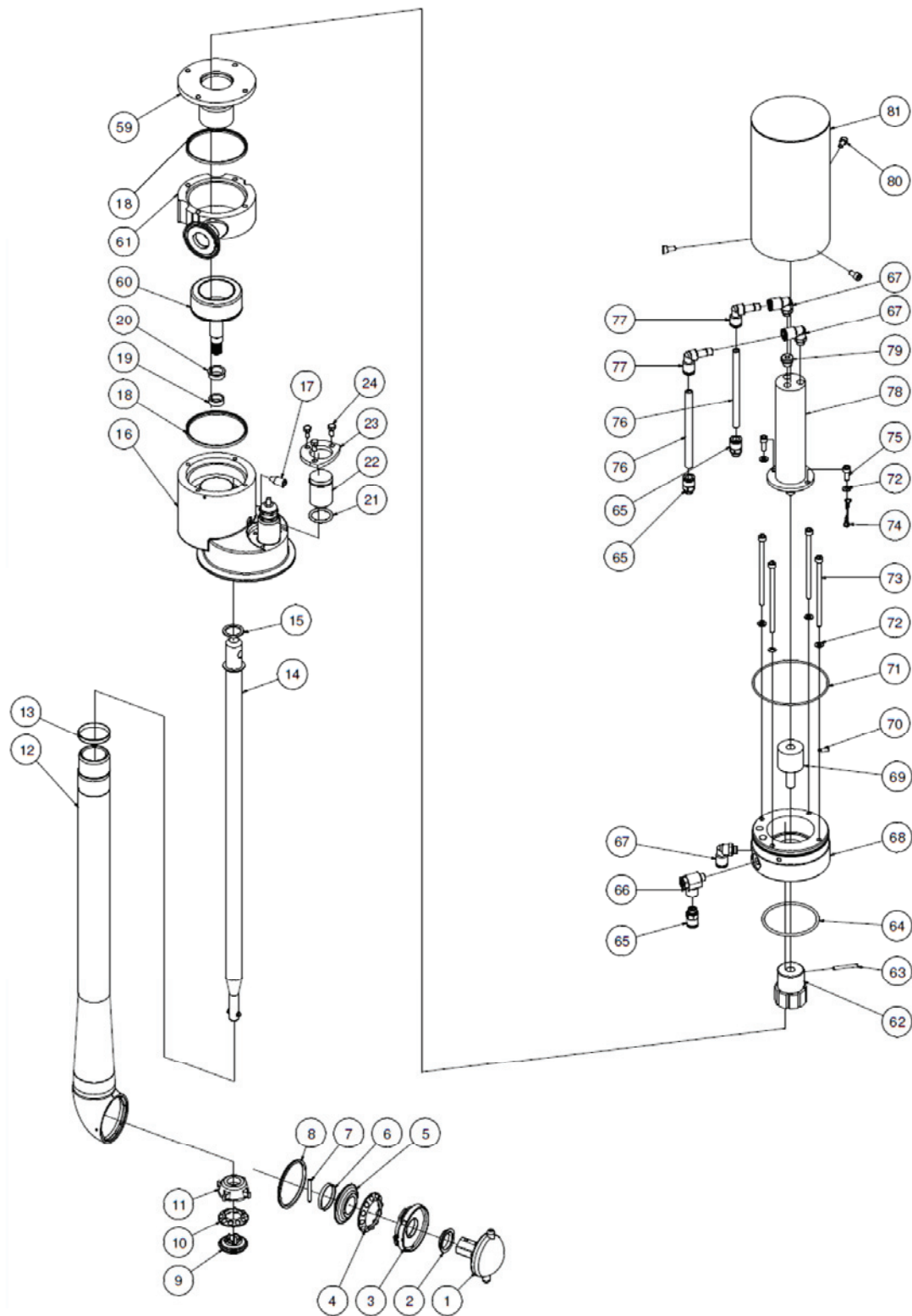
Toftejorg SaniJet 20, Air Driven

EPS00147-EN 2014-07

Original manual

The information herein is correct at the time of issue but may be subject to change without prior notice

1. Toftejorg SaniJet 20, Air Driven 4



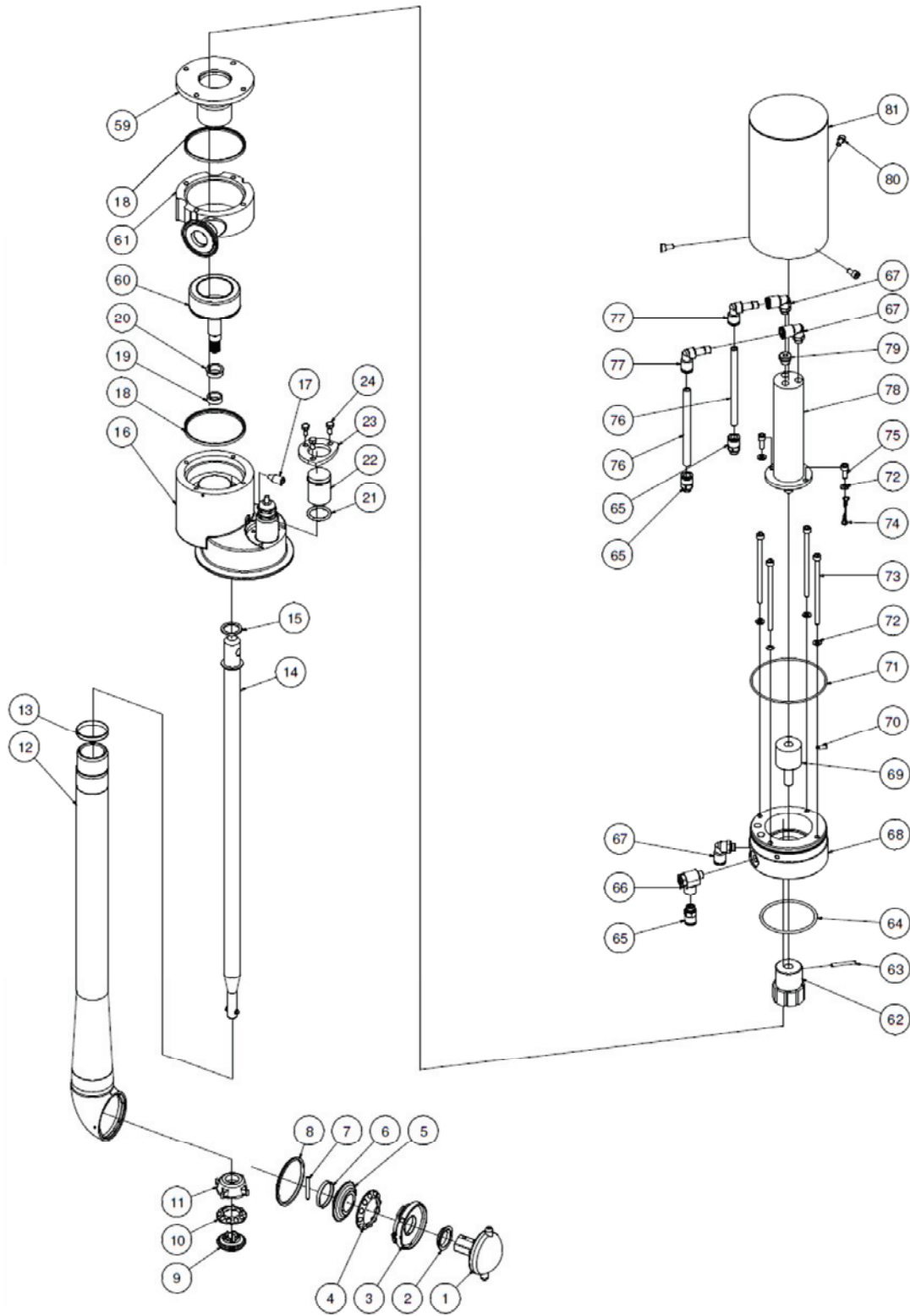
Reference List of Parts

Toftejorg SaniJet 20, Air Driven (EPDM as standard)

covering both 3" version and 4" version

Note: Pos. 21 - 24 only applicable for 4" version

Pos	Qty	Denomination	Ref. no.
1	□	1 Cleaner head 2x2.0 mm, Stainless steel	TE20B334
	□	1 cleaner head 2x3.8mm, Stainless steel	TE20B335
	□	1 cleaner head 4x4.2mm, Stainless steel	TE20B336
2		1 Bearing bush, Polymer	TE20B554
3		1 Retaining ring, Stainless steel	TE20B552
4		1 Ball ring N, Polymer/Titanium	TE20B365
5		1 Bevel gear, Stainless steel	TE20B550
6		1 Clip ring, Stainless steel	TE20B571
7		1 Pin, Stainless steel	TE20B572
8	□	1 Seal ring H, EPDM	TE20B553
	□	1 Seal ring H, FPM (Viton)	TE20B553-01
	□	1 Seal ring H, FFKM	TE20C553
9		1 Bevel gear, Stainless steel	TE20B542
10		1 Ball ring, Polymer/Titanium	TE20B364
11		1 Ball race, Stainless steel	TE20B539
12	□	1 Outer tube, L = 350 mm, Stainless steel	TE20B310
	□	1 Outer tube, L = 500 mm, Stainless steel	TE20B311
	□	1 Outer tube, L = 700 mm, Stainless steel	TE20B312
	□	1 Outer tube, L = 1000 mm, Stainless steel	TE20B313
	□	1 Outer tube, L = 1200 mm, Stainless steel	TE20B314
	□	1 Outer tube, L = 1500 mm, Stainless steel	TE20B315
13		1 Bearing ring, Polymer	TE20B510
14	□	1 Inner shaft, L = 350 mm, Stainless steel	TE20B538
	□	1 Inner shaft, L = 500 mm, Stainless steel	TE20B532
	□	1 Inner shaft, L = 700 mm, Stainless steel	TE20B533
	□	1 Inner shaft, L = 1000 mm, Stainless steel	TE20B534
	□	1 Inner shaft, L = 1200 mm, Stainless steel	TE20B535
	□	1 Inner shaft, L = 1500 mm, Stainless steel	TE20B536
15	□	1 Plain seal, EPDM	TE20B511
	□	1 Plain seal, FPM (Viton)	TE20B511-01
	□	1 Plain seal, FFKM	TE20C511
16	□	1 Base housing 3" version, Stainless steel	TE24B500
	□	1 Base housing 4" version, Stainless steel	TE24G500
17		1 Retaining screw, Stainless steel	TE20B512
18	□	1 Gasket, EPDM	TE20B516
	□	1 Gasket, FPM (Viton)	TE20B516-01
	□	1 Gasket, FFKM	TE20C516
19		1 Bearing bush, Polymer	TE20B514
20		1 Bearing bush, Polymer	TE20B513
21	□	1 O-ring (only applicable for 4" version), EPDM	TE51T127
	□	1 O-ring (only applicable for 4" version), FPM (Viton)	TE51T008
	□	1 O-ring (only applicable for 4" version), FFKM	TE51T129
22		1 Plug (only applicable for 4" version), Stainless steel	TE20B642
23		1 Bracket (only applicable for 4" version), Stainless steel	TE24G594
24	3	Screw (only applicable for 4" version), Stainless steel	TE51A172
59		1 Motor flange welded A, Stainless steel	TE24B349
60		1 Rotor outer complete, Stainless steel/steel	TE20B340
61		1 Inlet housing 1" Tri-clamp, Stainless steel	TE24B351
62		1 Rotor inner w. magnets, Steel	TE20B343
63		1 Tubular rivet, Stainless steel	TE51C052
64		1 O-ring, Elastomer	TE51T142
65	3	Straight connector, Brass, Nickel-pl.	TE51U392
66	1	Flow control valve, Brass, Nickel-pl.	TE51U395
67	3	L-connector, Brass, Nickel-pl.	TE51U393
68	1	Flange for air motor, Polymer	TE24B557
69	1	Adapter for air motor, Polymer	TE24B556
70		1 Screw, Stainless steel	TE51A096
71		1 O-ring, Elastomer	TE51T143
72	6	Washer, Stainless steel	TE51B013
73	4	Screw, Stainless steel	TE51A097
74	1	Wire for grounding, Stainless steel/alu.	TE24B353
75	2	Screw, Stainless steel	TE51A112
76	2	Air tubing, Polymer	TE51U397
77	2	L-connector, Brass, Nickel-pl.	TE51U394
78	1	Air motor, Assy	TE51U009
79	1	Plug, Brass, Nickel-pl.	TE51U396
80	3	Screw, Stainless steel	TE51A100
81	1	Motor cover, Stainless steel	TE24B348

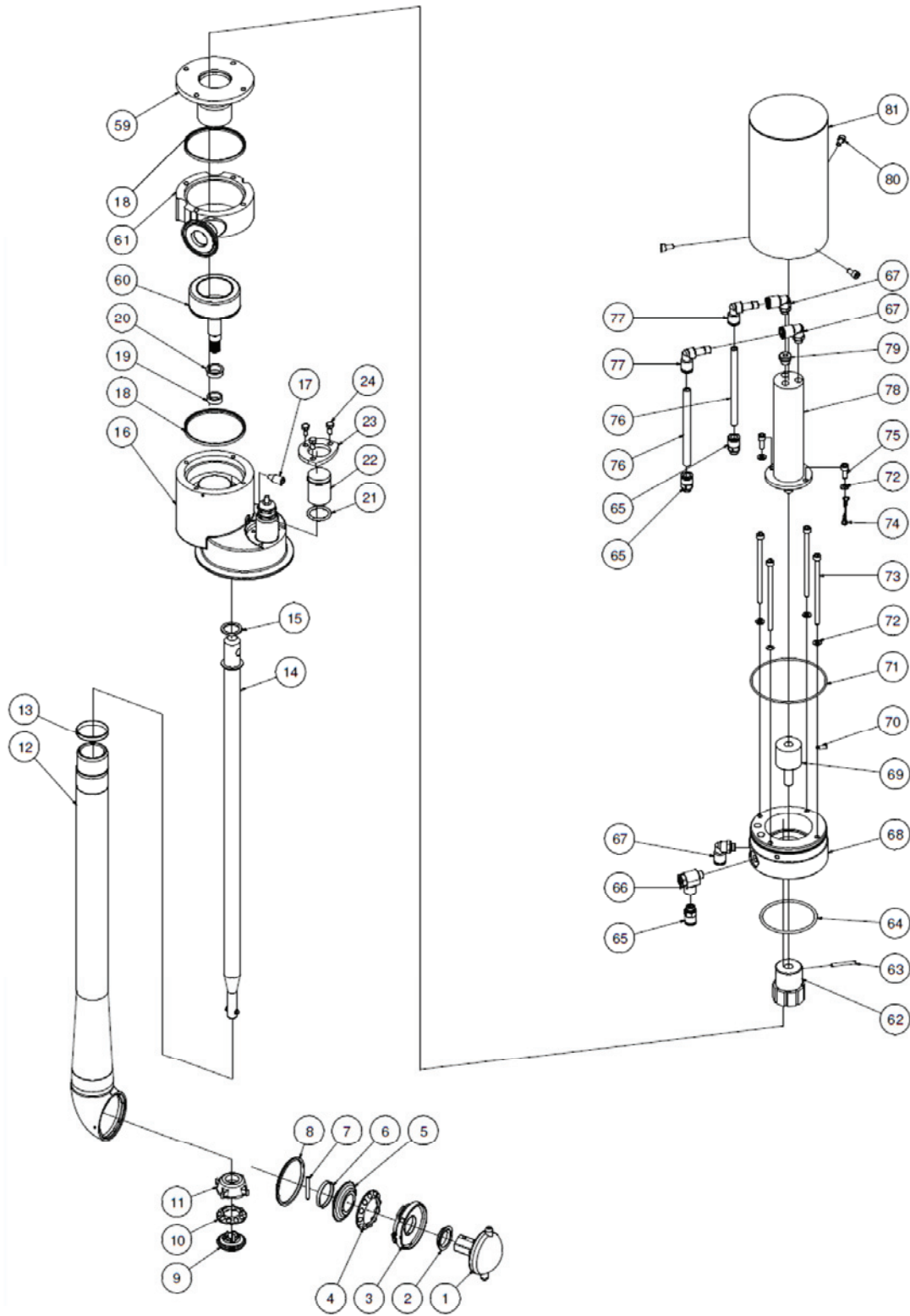


Reference List of Parts

Toftejorg SaniJet 20, Air Driven with improved surface finish (EPDM as standard)
covering both 3" version and 4" version

Note: Pos. 21 - 24 only applicable for 4" version

Pos	Qty	Denomination	Ref. no.
1	□	1 Cleaner head 2x2.0 mm, Stainless steel	TE20E334
	□	1 cleaner head 2x3.8mm, Stainless steel	TE20E335
	□	1 cleaner head 4x4.2mm, Stainless steel	TE20E336
2		1 Bearing bush, Polymer	TE20B554
3		1 Retaining ring, Stainless steel	TE20E552
4		1 Ball ring N, Polymer/Titanium	TE20B365
5		1 Bevel gear, Stainless steel	TE20E550
6		1 Clip ring, Stainless steel	TE20E571
7		1 Pin, Stainless steel	TE20E572
8	□	1 Seal ring H, EPDM	TE20B553
	□	1 Seal ring H, FPM (Viton)	TE20B553-01
	□	1 Seal ring H, FFKM	TE20C553
9		1 Bevel gear, Stainless steel	TE20E542
10		1 Ball ring, Polymer/Titanium	TE20B364
11		1 Ball race, Stainless steel	TE20E539
12	□	1 Outer tube, L = 350 mm, Stainless steel	TE20E310
	□	1 Outer tube, L = 500 mm, Stainless steel	TE20E311
	□	1 Outer tube, L = 700 mm, Stainless steel	TE20E312
	□	1 Outer tube, L = 1000 mm, Stainless steel	TE20E313
	□	1 Outer tube, L = 1200 mm, Stainless steel	TE20E314
	□	1 Outer tube, L = 1500 mm, Stainless steel	TE20E315
13		1 Bearing ring, Polymer	TE20B510
14	□	1 Inner shaft, L = 350 mm, Stainless steel	TE20E538
	□	1 Inner shaft, L = 500 mm, Stainless steel	TE20E532
	□	1 Inner shaft, L = 700 mm, Stainless steel	TE20E533
	□	1 Inner shaft, L = 1000 mm, Stainless steel	TE20E534
	□	1 Inner shaft, L = 1200 mm, Stainless steel	TE20E535
	□	1 Inner shaft, L = 1500 mm, Stainless steel	TE20E536
15	□	1 Plain seal, EPDM	TE20B511
16	□	1 Base housing 3" version, Stainless steel	TE24E500
	□	1 Base housing 4" version, Stainless steel	TE24F500
15	□	1 Plain seal, FFKM	TE20C511
17		1 Retaining screw, Stainless steel	TE20B512
18	□	1 Gasket, EPDM	TE20B516
	□	1 Gasket, FPM (Viton)	TE20B516-01
	□	1 Gasket, FFKM	TE20C516
19		1 Bearing bush, Polymer	TE20B514
20		1 Bearing bush, Polymer	TE20B513
21	□	1 O-ring (only applicable for 4" version), EPDM	TE51T127
	□	1 O-ring (only applicable for 4" version), FPM (Viton)	TE51T008
	□	1 O-ring (only applicable for 4" version), FFKM	TE51T129
22		1 Plug (only applicable for 4" version), Stainless steel	TE20E642
23		1 Bracket (only applicable for 4" version), Stainless steel	TE24F594
24		3 Screw (only applicable for 4" version), Stainless steel	TE20E654
59		1 Motor flange welded A, Stainless steel	TE24E346
60		1 Rotor outer complete, Stainless steel/steel	TE20E340
61		1 Inlet housing 1" Tri-clamp, Stainless steel	TE24E351
62		1 Rotor inner w. magnets, Steel	TE20B343
63		1 Tubular rivet, Stainless steel	TE51C052
64		1 O-ring, Elastomer	TE51T142
65		3 Straight connector, Brass, Nickel-pl.	TE51U392
66		1 Flow control valve, Brass, Nickel-pl.	TE51U395
67		3 L-connector, Brass, Nickel-pl.	TE51U393
68		1 Flange for air motor, Polymer	TE24B557
69		1 Adapter for air motor, Polymer	TE24B556
70		1 Screw, Stainless steel	TE51A096
71		1 O-ring, Elastomer	TE51T143
72		6 Washer, Stainless steel	TE51B013
73		4 Screw, Stainless steel	TE51A097
74		1 Wire for grounding, Stainless steel/alu.	TE24B353
75		2 Screw, Stainless steel	TE51A112
76		2 Air tubing, Polymer	TE51U397
77		2 L-connector , Brass, Nickel-pl.	TE51U394
78		1 Air motor , Assy	TE51U009
79		1 Plug, Brass, Nickel-pl.	TE51U396
80		3 Screw, Stainless steel	TE51A100
81		1 Motor cover, Stainless steel	TE24B348



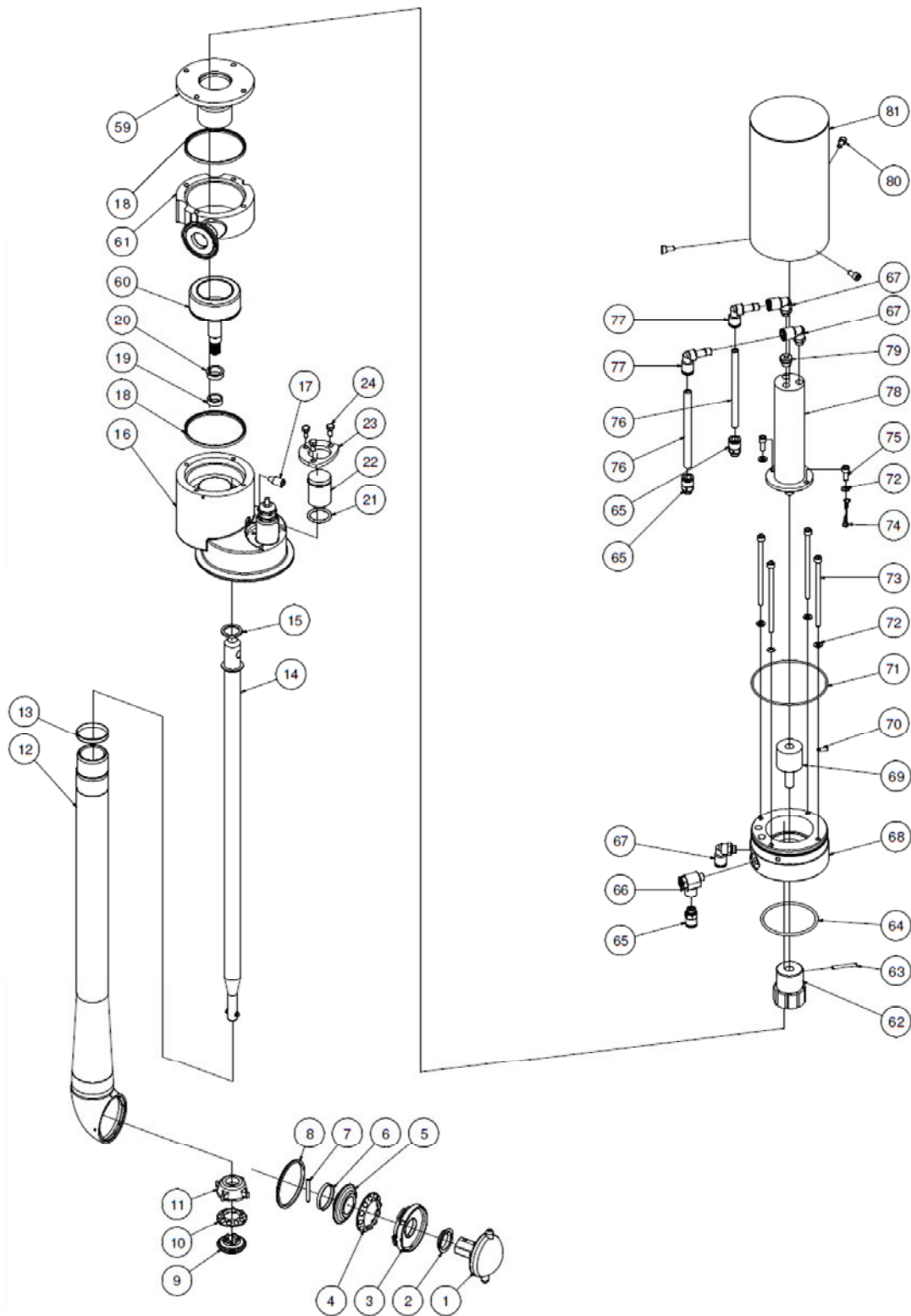
Reference List of Parts

Toftejorg SaniJet 20, Air Driven, Hastelloy version (FFKM as standard)

covering both 3" version and 4" version

Note: Pos. 21 - 24 only applicable for 4" version

Pos	Qty	Denomination	Ref. no.
1	□	1 Cleaner head 2x2.0 mm, Alloy	TE20C334
	□	1 cleaner head 2x3.8mm, Alloy	TE20C335
	□	1 cleaner head 4x4.2mm, Alloy	TE20C336
2	1	Bearing bush, Polymer	TE20B554
3	1	Retaining ring, Alloy	TE20C552
4	1	Ball ring N, Polymer/Titanium	TE20C361
5	1	Bevel gear, Alloy	TE20C550
6	1	Clip ring, Alloy	TE20C571
7	1	Pin, Alloy	TE20C655
8	1	Seal ring H, FFKM	TE20C553
9	1	Bevel gear, Alloy	TE20C542
10	1	Ball ring, Polymer/Titanium	TE20C360
11	1	Ball race, Alloy	TE20C539
12	□	1 Outer tube, L = 350 mm, Alloy	TE20C310
	□	1 Outer tube, L = 500 mm, Alloy	TE20C311
	□	1 Outer tube, L = 700 mm, Alloy	TE20C312
	□	1 Outer tube, L = 1000 mm, Alloy	TE20C313
	□	1 Outer tube, L = 1200 mm, Alloy	TE20C314
	□	1 Outer tube, L = 1500 mm, Alloy	TE20C315
13	1	Bearing ring, Polymer	TE20B510
14	□	1 Inner shaft, L = 350 mm, Alloy	TE20C538
	□	1 Inner shaft, L = 500 mm, Alloy	TE20C532
	□	1 Inner shaft, L = 700 mm, Alloy	TE20C533
	□	1 Inner shaft, L = 1000 mm, Alloy	TE20C534
	□	1 Inner shaft, L = 1200 mm, Alloy	TE20C535
	□	1 Inner shaft, L = 1500 mm, Alloy	TE20C536
15	1	Plain seal, FFKM	TE24C511
16	□	1 Base housing 3" version, Alloy	TE24C500
	□	1 Base housing 4" version, Alloy	TE24H500
17	1	Retaining screw, Stainless steel	TE20B512
18	2	Gasket, FFKM	TE20C516
19	1	Bearing bush, Polymer	TE20B514
20	1	Bearing bush, Polymer	TE20B513
21	1	O-ring (only applicable for 4" version), FFKM	TE51T129
22	1	Plug (only applicable for 4" version), Alloy	TE20C642
23	1	Bracket (only applicable for 4" version), Stainless steel	TE24G594
24	3	Screw (only applicable for 4" version), Stainless steel	TE51A172
59	1	Motor flange welded A, Alloy	TE24C346
60	1	Rotor outer complete, Alloy	TE20C340
61	1	Inlet housing 1" Tri-clamp, Alloy	TE24C351
62	1	Rotor inner w. magnets, Steel	TE20B343
63	1	Tubular rivet, Stainless steel	TE51C052
64	1	O-ring, Elastomer	TE51T142
65	3	Straight connector, Brass, Nickel-pl.	TE51U392
66	1	Flow control valve, Brass, Nickel-pl.	TE51U395
67	3	L-connector, Brass, Nickel-pl.	TE51U393
68	1	Flange for air motor, Polymer	TE24B557
69	1	Adapter for air motor, Polymer	TE24B556
70	1	Screw, Stainless steel	TE51A096
71	1	O-ring, Elastomer	TE51T143
72	6	Washer, Stainless steel	TE51B013
73	4	Screw, Stainless steel	TE51A097
74	1	Wire for grounding, Stainless steel/alu.	TE24B353
75	2	Screw, Stainless steel	TE51A112
76	2	Air tubing, Polymer	TE51U397
77	2	L-connector, Brass, Nickel-pl.	TE51U394
78	1	Air motor, Assy	TE51U009
79	1	Plug, Brass, Nickel-pl.	TE51U396
80	3	Screw, Stainless steel	TE51A100
81	1	Motor cover, Stainless steel	TE24B348



Reference List of Parts

Toftejorg SaniJet 20, Air Driven, Hastelloy version with improved surface finish
(FFKM as standard)

covering both 3" version and 4" version

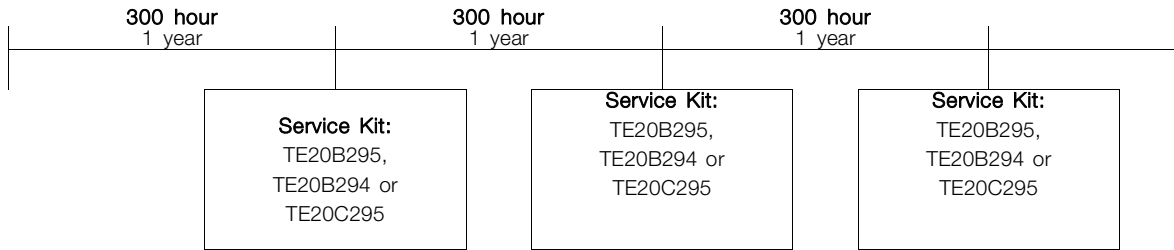
Note: Pos. 21 - 24 only applicable for 4" version

Pos	Qty	Denomination	Ref. no.
1	<input type="checkbox"/>	1 Cleaner head 2x2.0 mm, Alloy	TE24J334
	<input type="checkbox"/>	1 cleaner head 2x3.8mm, Alloy	TE24J335
	<input type="checkbox"/>	1 cleaner head 4x4.2mm, Alloy	TE24J336
2		1 Bearing bush, Polymer	TE20B554
3		1 Retaining ring, Alloy	TE24J552
4		1 Ball ring N, Polymer/Titanium	TE20C361
5		1 Bevel gear, Alloy	TE24J550
6		1 Clip ring, Alloy	TE24J571
7		1 Pin, Alloy	TE24J655
8		1 Seal ring H, FFKM	TE20C553
9		1 Bevel gear, Alloy	TE24J542
10		1 Ball ring, Polymer/Titanium	TE20C360
11		1 Ball race, Alloy	TE24J539
12	<input type="checkbox"/>	1 Outer tube, L = 350 mm, Alloy	TE24J310
	<input type="checkbox"/>	1 Outer tube, L = 500 mm, Alloy	TE24J311
	<input type="checkbox"/>	1 Outer tube, L = 700 mm, Alloy	TE24J312
	<input type="checkbox"/>	1 Outer tube, L = 1000 mm, Alloy	TE24J313
	<input type="checkbox"/>	1 Outer tube, L = 1200 mm, Alloy	TE24J314
	<input type="checkbox"/>	1 Outer tube, L = 1500 mm, Alloy	TE24J315
13		1 Bearing ring, Polymer	TE20B510
14	<input type="checkbox"/>	1 Inner shaft, L = 350 mm, Alloy	TE24J538
	<input type="checkbox"/>	1 Inner shaft, L = 500 mm, Alloy	TE24J532
	<input type="checkbox"/>	1 Inner shaft, L = 700 mm, Alloy	TE24J533
	<input type="checkbox"/>	1 Inner shaft, L = 1000 mm, Alloy	TE24J534
	<input type="checkbox"/>	1 Inner shaft, L = 1200 mm, Alloy	TE24J535
	<input type="checkbox"/>	1 Inner shaft, L = 1500 mm, Alloy	TE24J536
15		1 Plain seal, FFKM	TE20C511
16	<input type="checkbox"/>	1 Base housing 3" version, Alloy	TE24D500
	<input type="checkbox"/>	1 Base housing 4" version, Alloy	TE24J500
17		1 Retaining screw, Stainless steel	TE20B512
18		2 Gasket, FFKM	TE20C516
19		1 Bearing bush, Polymer	TE20B514
20		1 Bearing bush, Polymer	TE20B513
21		1 O-ring (only applicable for 4" version), FFKM	TE51T129
22		1 Plug (only applicable for 4" version), Alloy	TE24J642
23		1 Bracket (only applicable for 4" version), Stainless steel	TE24F594
24		3 Screw (only applicable for 4" version), Stainless steel	TE20E654
59		1 Motor flange welded A, Alloy	TE24J346
60		1 Rotor outer complete, Alloy	TE24J340
61		1 Inlet housing 1" Tri-clamp, Alloy	TE24J351
62		1 Rotor inner w. magnets, Steel	TE20B343
63		1 Tubular rivet, Stainless steel	TE51C052
64		1 O-ring, Elastomer	TE51T142
65		3 Straight connector, Brass, Nickel-pl.	TE51U392
66		1 Flow control valve, Brass, Nickel-pl.	TE51U395
67		3 L-connector, Brass, Nickel-pl.	TE51U393
68		1 Flange for air motor, Polymer	TE24B557
69		1 Adapter for air motor, Polymer	TE24B556
70		1 Screw, Stainless steel	TE51A096
71		1 O-ring, Elastomer	TE51T143
72		6 Washer, Stainless steel	TE51B013
73		4 Screw, Stainless steel	TE51A097
74		1 Wire for grounding, Stainless steel/alu.	TE24B353
75		2 Screw, Stainless steel	TE51A112
76		2 Air tubing, Polymer	TE51U397
77		2 L-connector , Brass, Nickel-pl.	TE51U394
78		1 Air motor , Assy	TE51U009
79		1 Plug, Brass, Nickel-pl.	TE51U396
80		3 Screw, Stainless steel	TE51A100
81		1 Motor cover, Stainless steel	TE24B348

Table 1.
Available add-ons for spare parts

Item no.	Description
TE20XXX-90	<ul style="list-style-type: none"> • Declaration of Compliance: <ul style="list-style-type: none"> - EN 10204 type 3.1 inspection Certificate - FDA Declaration of Compliance - USP Class VI (if possible) - TSE Declaration
TE20XXX-91	<ul style="list-style-type: none"> • Declaration of Compliance: <ul style="list-style-type: none"> - EN 10204 type 3.1 inspection Certificate
For FPM seals only	<ul style="list-style-type: none"> • FDA Declaration of Compliance <ul style="list-style-type: none"> - USP Class VI (if possible) - TSE Declaration
TE20XXX-50• Inner shaft pos no. 12.8 and Outer pipe pos no. 12.10 only	<ul style="list-style-type: none"> • Declaration of Compliance: <ul style="list-style-type: none"> - EN 10204 type 3.1 inspection Certificate • FDA Declaration of Compliance <ul style="list-style-type: none"> - USP Class VI (if possible) - TSE Declaration • Weld-Log documentation (if necessary) as hardcopy

Service intervals



Service Kit in EPDM for
 Toftejorg SaniJet 20 motor driven version (electrical/air)
 Article no. TE20B295

Pos	Qty	Denomination	Reference no.
12.9	1	Bearing ring, top	TE20B510
12.14	1	Bearing bush D1	TE20B513
12.15	1	Bearing bush D2	TE20B514
12.7	1	Plain seal S	TE20B511
9	2	Gasket D	TE20B516
13	1	Seal ring H	TE20B553
12.4	1	O-ring	TE51T127

Service Kit in Viton for
 Toftejorg SaniJet 20 motor driven version (electrical/air)
 Article no. TE20B294

Pos	Qty	Denomination	Reference no.
12.9	1	Bearing ring, top	TE20B510
12.14	1	Bearing bush D1	TE20B513
12.15	1	Bearing bush D2	TE20B514
12.7	1	Plain seal S	TE20B511-01
9	2	Gasket D	TE20B516-01
13	1	Seal ring H	TE20B553-01
12.4	1	O-ring	TE51T008

Service Kit in Perlast for
 Toftejorg SaniJet 20 motor driven version (electrical/air)
 Article no. TE20C295

Pos	Qty	Denomination	Reference no.
12.9	1	Bearing ring, top	TE20B510
12.14	1	Bearing bush D1	TE20B513
12.15	1	Bearing bush D2	TE20B514
12.7	1	Plain seal S	TE20C511
9	2	Gasket D	TE20C516
13	1	Seal ring H	TE20C553
12.4	1	O-ring	TE51T129

Tools

Pos	Qty	Denomination	Reference no.
		Socket Wrench w. pin	TE462A
		Hook spanner	TE20B701

How to contact Alfa Laval

Contact details for all countries are continually updated on our website.

Please visit www.alfalaval.com to access the information directly.

© Alfa Laval Corporate AB

This document and its contents is owned by Alfa Laval Corporate AB and protected by laws governing intellectual property and thereto related rights. It is the responsibility of the user of this document to comply with all applicable intellectual property laws. Without limiting any rights related to this document, no part of this document may be copied, reproduced or transmitted in any form or by any means (electronic, mechanical, photocopying, recording, or otherwise), or for any purpose, without the expressed permission of Alfa Laval Corporate AB. Alfa Laval Corporate AB will enforce its rights related to this document to the fullest extent of the law, including the seeking of criminal prosecution.