



**RODEM<sup>®</sup>**

PROCESS EQUIPMENT

[www.rodem.com](http://www.rodem.com) 800-543-7312

## Spare Parts

Toftejorg SaniJet 20, Electrically Driven

EPS00148-EN 2013-07

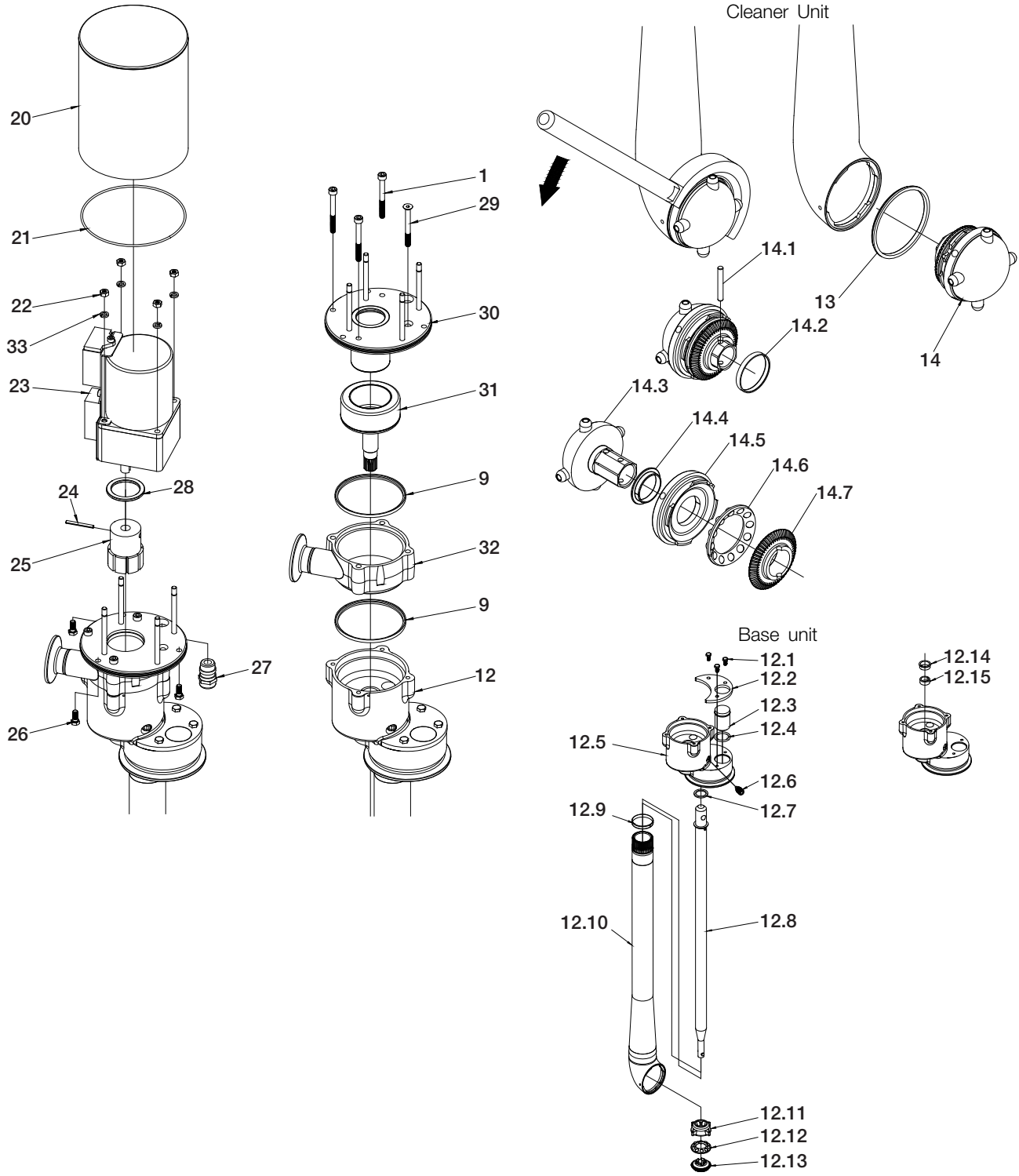
Original manual



---

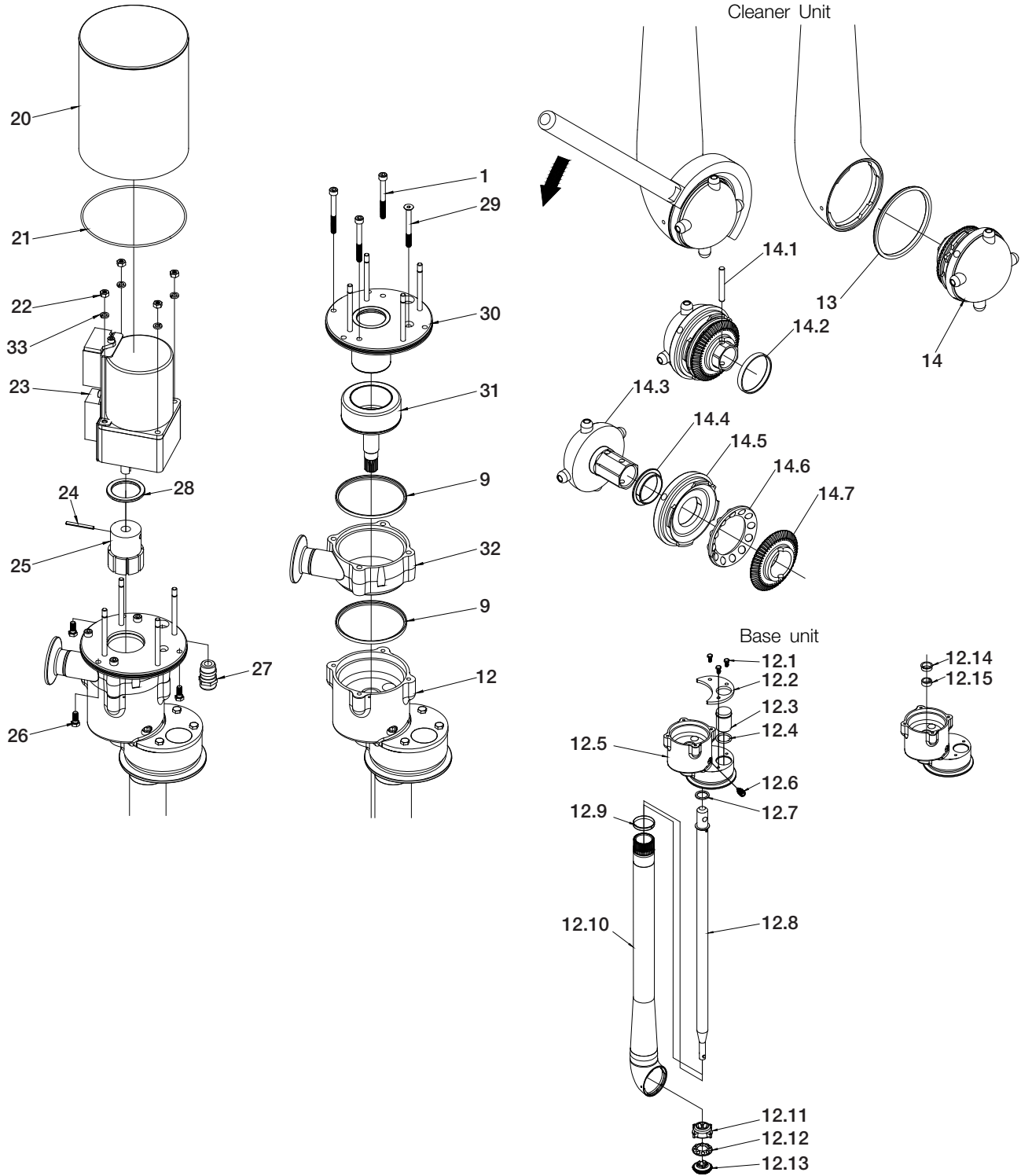
*The information herein is correct at the time of issue but may be subject to change without prior notice*

**1. Toftejorg SaniJet 20, Electrically Driven ..... 4**



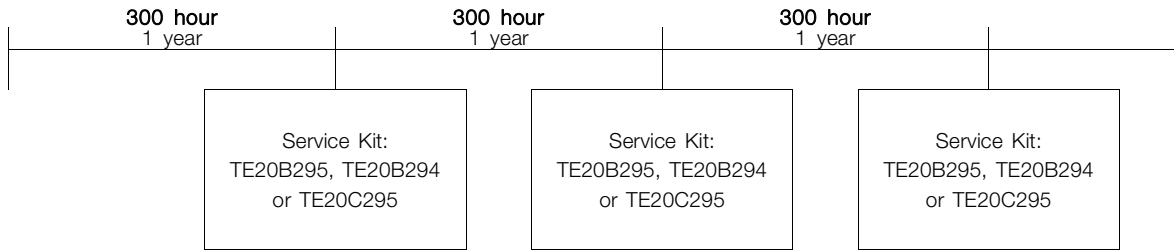
Pos	Qty	Denomination	
1	3	Screw, Stainless steel	TE51A146
9	2	Gasket, Elastomer	TE20B516
	2	Gasket, Elastomer	TE20B516-01
	2	Gasket, Elastomer	TE20C516
12	1	Base unit, L = 350 mm, Assy	TE20B309
	1	Base unit, L = 500 mm, Assy	TE20B300
	1	Base unit, L = 700 mm, Assy	TE20B301
	1	Base unit, L = 1000 mm, Assy	TE20B302
	1	Base unit, L = 1200 mm, Assy	TE20B303
	1	Base unit, L = 1500 mm, Assy	TE20B304
	1	Base unit, L = 350 mm, Assy, Elastomer	TE20B309-01
	1	Base unit, L = 500 mm, Assy, Elastomer	TE20B300-01
	1	Base unit, L = 700 mm, Assy, Elastomer	TE20B301-01
	1	Base unit, L = 1000 mm, Assy, Elastomer	TE20B302-01
	1	Base unit, L = 1200 mm, Assy, Elastomer	TE20B303-01
	1	Base unit, L = 1500 mm, Assy, Elastomer	TE20B304-01
12.1	3	Screw, Stainless steel	TE51A172
12.2	1	Bracket, Stainless steel	TE20B594
12.3	1	Plug, Stainless steel	TE20B642
12.4	1	O-ring, Elastomer	TE51T127
	1	O-ring, Elastomer	TE51T008
	1	O-ring, Elastomer	TE51T129
12.5	1	Base housing, Stainless steel	TE20B500
12.6	1	Retaining screw, Stainless steel	TE20B512
12.7	1	Plain seal, Elastomer	TE20B511
	1	Plain seal, Elastomer	TE20B511-01
	1	Plain seal, Elastomer	TE20C511
12.8	1	Inner shaft, L = 350 mm, Stainless steel	TE20B538
	1	Inner shaft, L = 500 mm, Stainless steel	TE20B532
	1	Inner shaft, L = 700 mm, Stainless steel	TE20B533
	1	Inner shaft, L = 1000 mm, Stainless steel	TE20B534
	1	Inner shaft, L = 1200 mm, Stainless steel	TE20B535
	1	Inner shaft, L = 1500 mm, Stainless steel	TE20B536
12.9	1	Bearing ring, Polymer	TE20B510
12.10	1	Outer tube, L = 350 mm, Stainless steel	TE20B310
	1	Outer tube, L = 500 mm, Stainless steel	TE20B311
	1	Outer tube, L = 700 mm, Stainless steel	TE20B312
	1	Outer tube, L = 1000 mm, Stainless steel	TE20B313
	1	Outer tube, L = 1200 mm, Stainless steel	TE20B314
	1	Outer tube, L = 1500 mm, Stainless steel	TE20B315
12.11	1	Ball race, Stainless steel	TE20B539
12.12	1	Ball ring, Polymer/Titanium	TE20B364
12.13	1	Bevel gear, Stainless steel	TE20B542
12.14	1	Bearing bush, Polymer	TE20B513
12.15	1	Bearing bush, Polymer	TE20B514
13	1	Seal ring H, Elastomer	TE20B553
	1	Seal ring H, Elastomer	TE20B553-01
	1	Seal ring H, Elastomer	TE20C553
14	1	Cleaner unit, 2xø2.0mm, Assy	TE20B324
	1	Cleaner unit, 2xø3.8mm, Assy	TE20B325
	1	Cleaner unit, 4xø4.2mm, Assy	TE20B326
14.1	1	Pin, Stainless steel	TE51C003
14.2	1	Clip ring, Stainless steel	TE20B571
14.3	1	Cleaner head 2xø2.0mm, Stainless steel	TE20B334
	1	Cleaner head 2xø3.8mm, Stainless steel	TE20B335
	1	Cleaner head 4xø4.2mm, Stainless steel	TE20B336
14.4	1	Bearing bush, Polymer	TE20B554
14.5	1	Retaining ring, Stainless steel	TE20B552
14.6	1	Ball ring N, Polymer/Titanium	TE20B365
14.7	1	Bevel gear, Stainless steel	TE20B550
20	1	Motor cover, Stainless steel	TE20B347
21	1	O-ring, Elastomer	TE51T125
22	4	Nut, Stainless steel	TE51A504
23	1	El-gear motor (1:36) 220-230V, Assy	TE20B380
	1	El-gear motor (1:36) 200V, Assy	TE20B380-01
	1	El-gear motor (1:36) 110-115V, Assy	TE20B380-02
	1	El-gear motor (1:36) 100V, Assy	TE20B380-03
	1	El-gear motor (1:75) 220-230V, Assy	TE20B381
	1	El-gear motor (1:75) 200V, Assy	TE20B381-01
	1	El-gear motor (1:75) 110-115V, Assy	TE20B381-02
	1	El-gear motor (1:75) 100V, Assy	TE20B381-03
24	1	Tubular rivet, Stainless steel	TE51C052
25	1	Rotor inner w. magnets, Assy	TE20B343
26	3	Screw, Stainless steel	TE51A189
27	1	Union joint, Steel, plated	TE51U310
28	1	Guide ring, Stainless steel	TE20B630
29	1	Screw, Stainless steel	TE51A057
30	1	Motor flange welded E, Stainless steel	TE20B344
31	1	Rotor outer w. magnets, Assy	TE20B340
32	1	Inlet housing, Tri-clamp, Stainless steel	TE20B351
33	4	Washer, Stainless steel	TE51B039

Configuration as delivered marked



**Service Intervals**

**Service intervals**



**Service Kit in EPDM for  
Toftejorg SaniJet 20 motor driven version (electrical/air)  
Article no. TE20B295**

Pos	Qty	Denomination	Reference no.
12.9	1	Bearing ring, top .....	TE20B510
12.14	1	Bearing bush D1 .....	TE20B513
12.15	1	Bearing bush D2 .....	TE20B514
12.7	1	Plain seal S .....	TE20B511
9	2	Gasket D .....	TE20B516
13	1	Seal ring H .....	TE20B553
12.4	1	O-ring .....	TE51T127

**Service Kit in Viton for  
Toftejorg SaniJet 20 motor driven version (electrical/air)  
Article no. TE20B294**

Pos	Qty	Denomination	Reference no.
12.9	1	Bearing ring, top .....	TE20B510
12.14	1	Bearing bush D1 .....	TE20B513
12.15	1	Bearing bush D2 .....	TE20B514
12.7	1	Plain seal S .....	TE20B511-01
9	2	Gasket D .....	TE20B516-01
13	1	Seal ring H .....	TE20B553-01
12.4	1	O-ring .....	TE51T008

**Tools**

Pos	Qty	Denomination	Reference no.
		Socket Wrench w. pin .....	TE462A
		Hook spanner .....	TE20B701

**How to contact Alfa Laval**

Contact details for all countries are continually updated on our website.

Please visit [www.alfalaval.com](http://www.alfalaval.com) to access the information directly.

© Alfa Laval Corporate AB

This document and its contents is owned by Alfa Laval Corporate AB and protected by laws governing intellectual property and thereto related rights. It is the responsibility of the user of this document to comply with all applicable intellectual property laws. Without limiting any rights related to this document, no part of this document may be copied, reproduced or transmitted in any form or by any means (electronic, mechanical, photocopying, recording, or otherwise), or for any purpose, without the expressed permission of Alfa Laval Corporate AB. Alfa Laval Corporate AB will enforce its rights related to this document to the fullest extent of the law, including the seeking of criminal prosecution.