



RODEM[®]

PROCESS EQUIPMENT

www.rodem.com 800-543-7312

Spare Parts

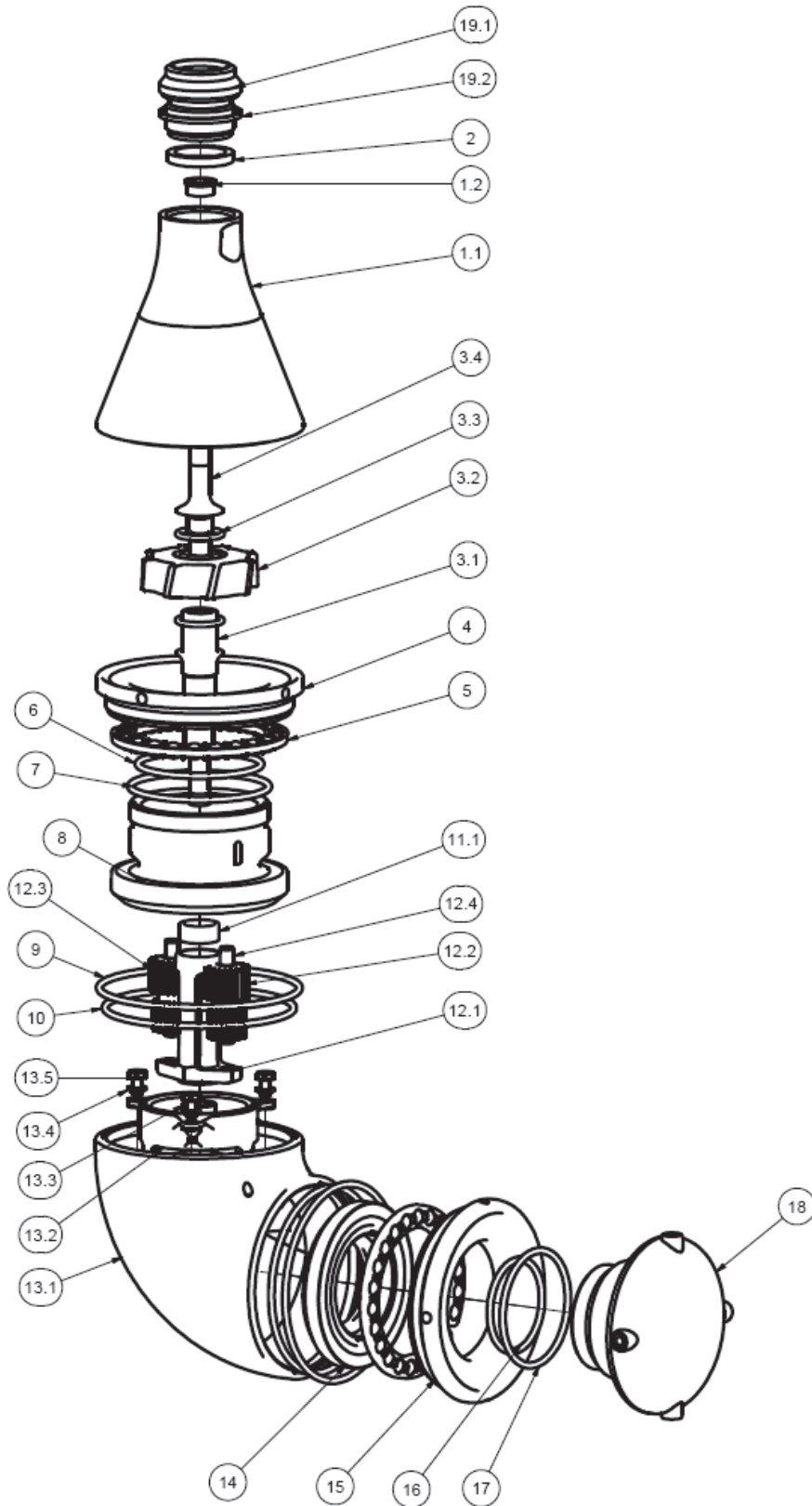
Toftejorg SaniJet 25

ESE02828-EN3 2014-10

Original manual

The information herein is correct at the time of issue but may be subject to change without prior notice

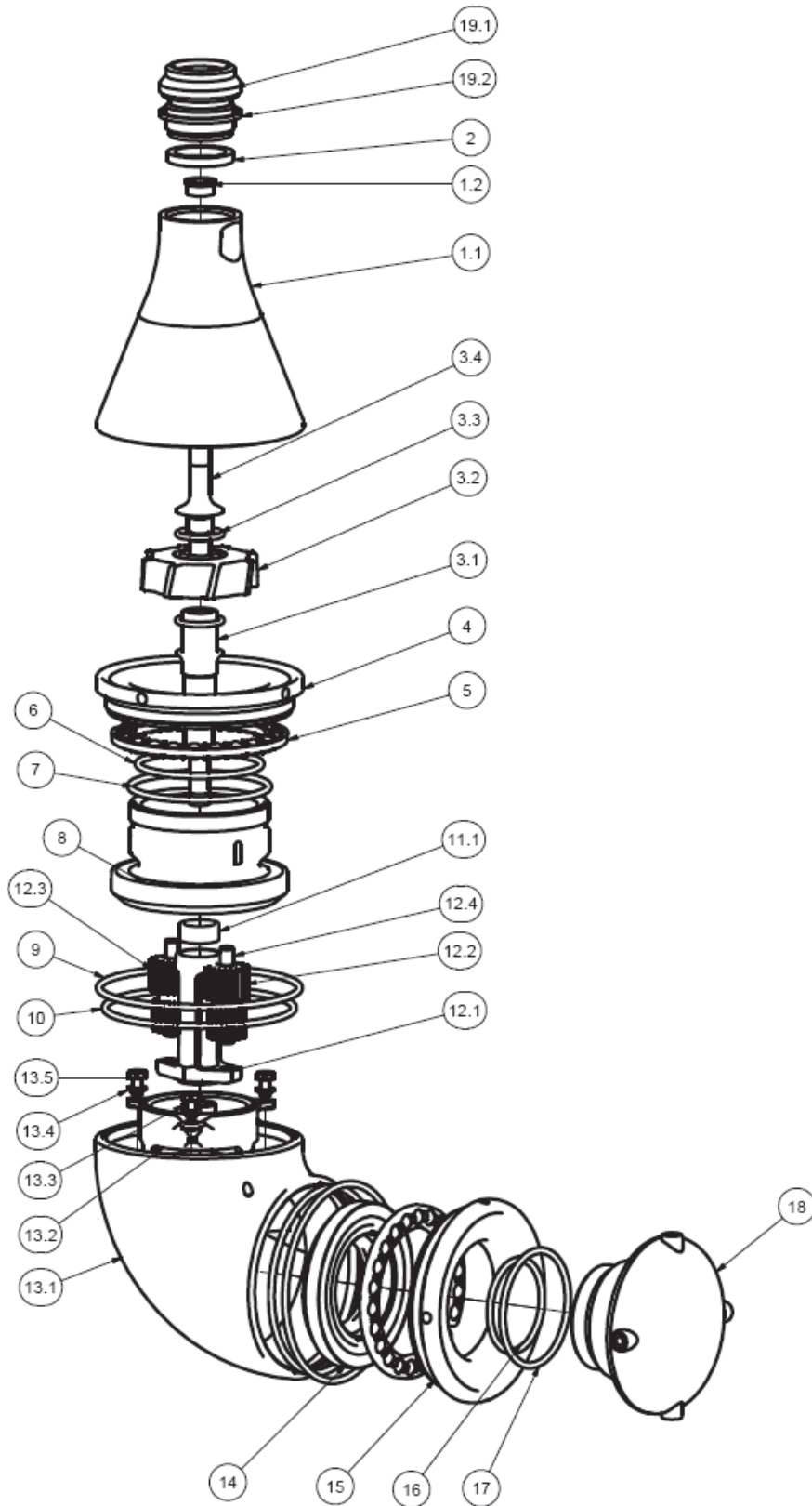
1. Toftejorg SaniJet 25 4



Exploded view drawing

Reference List of Parts, Toftejorg SaniJet 25
For machines with -0x and -7x (after August 2012)

Pos	Qty	Denomination	Article no.	Materials	Remarks
1.1	1	Cone	TE20J510	Stainless steel	Spare part
1.2	1	Bushing	TE20J514	Polymer	Wear part
2	1	Gasket	TE51T212	Elastomer	Wear part
3.1	1	Impeller Shaft	TE20J540	Stainless steel	Spare part
3.2	1	Impeller (ø4.2mm nozzle)	TE20J544	Polymer	Spare part
	1	Impeller (ø5.2mm nozzle)	TE20J545	Polymer	Spare part
	1	Impeller (ø6.2mm nozzle)	TE20J546	Polymer	Spare part
3.3	2	O-ring	TE51T135	Elastomer	Wear part
3.4	1	Shaft end	TE20J542	Stainless steel	Spare part
4	1	Nut for stem	TE20J627	Stainless steel	Wear part
5	2	Ball retainer with balls	TE20G318	Polymer/Stain- less steel	Wear part
6	1	O-ring	TE51T138	Elastomer	Wear part
7	1	O-ring	TE51T139	Elastomer	Wear part
8	1	Stem	TE20J624	Stainless steel	Wear part
9	2	O-ring	TE51T141	Elastomer	Wear part
10	2	O-ring	TE51T140	Elastomer	Wear part
11.1	1	Bushing	TE20J521	Polymer	Wear part
12	1	Planet gear	TE20J515	Polymer/Stain- less steel	Wear part
13.1	1	Body	TE20J300	Stainless steel	Spare part
13.2	1	Gear ring	TE20J506	Stainless steel	Spare part
13.3	1	Bearing for body	TE20J508	Polymer	Wear part
13.4	6	Seal ring	TE20J509	Polymer	Spare part
13.5	3	Screw for body assembly	TE20J550	Stainless steel	Spare part
14	1	Bevel gear	TE20J522	Stainless steel	Wear part
15	1	Nut for hub	TE20J638	Stainless steel	Wear part
16	1	O-ring	TE51T136	Elastomer	Wear part
17	1	O-ring	TE51T137	Elastomer	Wear part
18	1	Nozzle head (ø4.2mm nozzle)	TE20J320	Stainless steel	Spare part
	1	Nozzle head (ø5.2mm nozzle)	TE20J321	Stainless steel	Spare part
	1	Nozzle head (ø6.2mm nozzle)	TE20J322	Stainless steel	Spare part
19.1	1	Welding adaptor (1½" Dairy)	TE52D552	Stainless steel	Spare part
	1	Welding adaptor (1" ANSI/Sch40)	TE52D554	Stainless steel	Spare part
	1	Welding adaptor (NW40)	TE52D556	Stainless steel	Spare part
	1	Welding adaptor (1½" BPE US/SWG)	TE52D558	Stainless steel	Spare part
19.2	1	Gasket	TE52D561	Polymer	Wear part



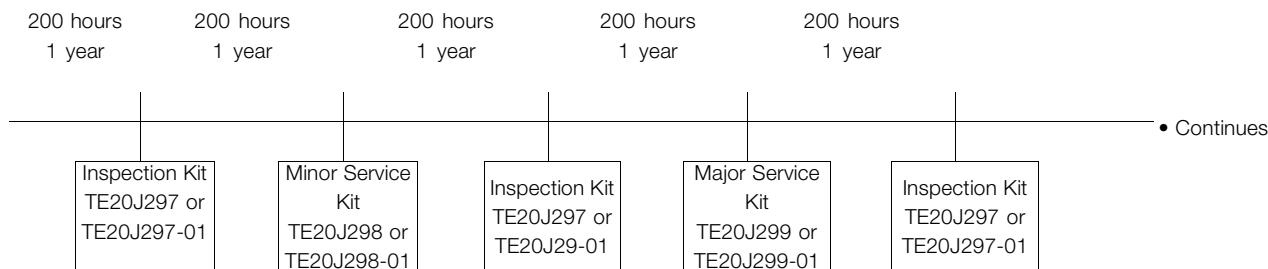
Exploded view drawing

Reference List of Parts, Toftejorg SaniJet 25

For machines with -5x, -6x, -8x and -9x (after August 2012)

Pos	Qty	Denomination	Article no.	Materials	Remarks
1.1	1	Cone	TE20J510	Stainless steel	Spare part
1.2	1	Bushing	TE20J514	Polymer	Wear part
2	1	Gasket	TE51T212	Elastomer	Wear part
3.1	1	Impeller Shaft	TE20J540	Stainless steel	Spare part
3.2	1	Impeller (ø4.2mm nozzle)	TE20J544	Polymer	Spare part
	1	Impeller (ø5.2mm nozzle)	TE20J545	Polymer	Spare part
	1	Impeller (ø6.2mm nozzle)	TE20J546	Polymer	Spare part
3.3	2	O-ring	TE51T135	Elastomer	Wear part
3.4	1	Shaft end	TE20J542	Stainless steel	Spare part
4	1	Nut for stem	TE20J627	Stainless steel	Wear part
5	2	Ball retainer with balls	TE20G318	Polymer/Stain- less steel	Wear part
6	1	O-ring	TE51T194	Elastomer	Wear part
7	1	O-ring	TE51T139	Elastomer	Wear part
8	1	Stem	TE20J624	Stainless steel	Wear part
9	2	O-ring	TE51T196	Elastomer	Wear part
10	2	O-ring	TE51T195	Elastomer	Wear part
11.1	1	Bushing	TE20J521	Polymer	Wear part
12	1	Planet gear	TE20J515	Polymer/Stain- less steel	Wear part
13.1	1	Body	TE20J300	Stainless steel	Spare part
13.2	1	Gear ring	TE20J506	Stainless steel	Spare part
13.3	1	Bearing for body	TE20J508	Polymer	Wear part
13.4	6	Seal ring	TE20J509	Polymer	Spare part
13.5	3	Screw for body assembly	TE20J550	Stainless steel	Spare part
14	1	Bevel gear	TE20J522	Stainless steel	Wear part
15	1	Nut for hub	TE20J638	Stainless steel	Wear part
16	1	O-ring	TE51T192	Elastomer	Wear part
17	1	O-ring	TE51T193	Elastomer	Wear part
18	1	Nozzle head (ø4.2mm nozzle)	TE20J320	Stainless steel	Spare part
	1	Nozzle head (ø5.2mm nozzle)	TE20J321	Stainless steel	Spare part
	1	Nozzle head (ø6.2mm nozzle)	TE20J322	Stainless steel	Spare part
19.1	1	Welding adaptor (1½" Dairy)	TE52D552	Stainless steel	Spare part
	1	Welding adaptor (1" ANSI/Sch40)	TE52D554	Stainless steel	Spare part
	1	Welding adaptor (NW40)	TE52D556	Stainless steel	Spare part
	1	Welding adaptor (1½" BPE US/SWG)	TE52D558	Stainless steel	Spare part
19.2	1	Gasket	TE52D561	Polymer	Wear part

Service Intervals



TE20J297 and TE20J297-01 Inspection Kit f. Toftejorg SaniJet 25

Pos.	Qty.	Denomination	P/n	P/n
			(20J000_004-0x/7x)	(20J000_004-5x/6x/8x/9x)
			TE20J297	TE20J297-01
2	1	Gasket	TE51T212	TE51T212
3.3	2	O-ring	TE51T135	TE51T135
6	1	O-ring	TE51T138	TE51T194
7	1	O-ring	TE51T139	TE51T139
9	2	O-ring	TE51T141	TE51T196
10	2	O-ring	TE51T140	TE51T195
16	1	O-ring	TE51T136	TE51T192
17	1	O-ring	TE51T137	TE51T193
19.2	1	Gasket	TE52D561	TE52D561

TE20J298 and TE20J298-01 Minor Service Kit f. Toftejorg SaniJet 25

Pos.	Qty.	Denomination	P/n	P/n
			(20J000_004-xx)	(20J000_004-5x/6x/8x/9x)
			TE20J298	TE20J298-01
5	2	Ball retainer with balls	TE20G318	TE20G318
13.3	1	Bearing for body	TE20J508	TE20J508
-	1	Inspection kit for Toftejorg SaniJet 25	TE20J297	TE20J297-01

TE20J299 and TE20J299-01 Major Service Kit f. Toftejorg SaniJet 25

Pos.	Qty.	Denomination	P/n	P/n
			(20J000_004-xx)	(20J000_004-5x/6x/8x/9x)
			TE20J299	TE20J299-01
1.2	1	Bushing	TE20J514	TE20J514
4	1	Nut for stem	TE20J627	TE20J627
8	1	Stem	TE20J624	TE20J624
11.1	1	Bushing	TE20J521	TE20J521
12	1	Planet gear assembly	TE20J515	TE20J515
14	1	Bevel gear	TE20J522	TE20J522
15	1	Nut for hub	TE20J638	TE20J638
-	1	Minor Service Kit for Toftej. SaniJet 25	TE20J298	TE20J298-01

Standard Tool Kit**Article no. TE81B155**

Qty.	Denomination	Article no.
1	Fixture tool f. stem	TE20J360
1	Fixture tool f. nozzle	TE20J366
1	Fixture tool f. body	TE20J386
1	Fixture tool f. hub and turbine	TE20J392
1	Ring key f. nuts (dismountable)	TE20J393
1	Drift f. bushings	TE81B139
1	Torque wrench (4-24 Nm) – ¼"	TE81B156
1	NV8 socket, long, ¼"	TE81B157
1	NV9 socket, long, ¼"	TE81B158
1	NV36 Ring/Fork key	TE81B159

- + Bench vise (jaw opening > 160 mm)
- + Hammer (soft - plastic)
- + 3-5 mm standard drift
- + brush for applying food grade/FDA compliant grease

How to contact Alfa Laval

Contact details for all countries are continually updated on our website.

Please visit www.alfalaval.com to access the information directly.

© Alfa Laval Corporate AB

This document and its contents is owned by Alfa Laval Corporate AB and protected by laws governing intellectual property and thereto related rights. It is the responsibility of the user of this document to comply with all applicable intellectual property laws. Without limiting any rights related to this document, no part of this document may be copied, reproduced or transmitted in any form or by any means (electronic, mechanical, photocopying, recording, or otherwise), or for any purpose, without the expressed permission of Alfa Laval Corporate AB. Alfa Laval Corporate AB will enforce its rights related to this document to the fullest extent of the law, including the seeking of criminal prosecution.