



RODEM[®]

PROCESS EQUIPMENT

www.rodem.com 800-543-7312

Spare Parts

Toftejorg SaniMidget Retractor, Media Driven

EPS00199-EN2 2014-10

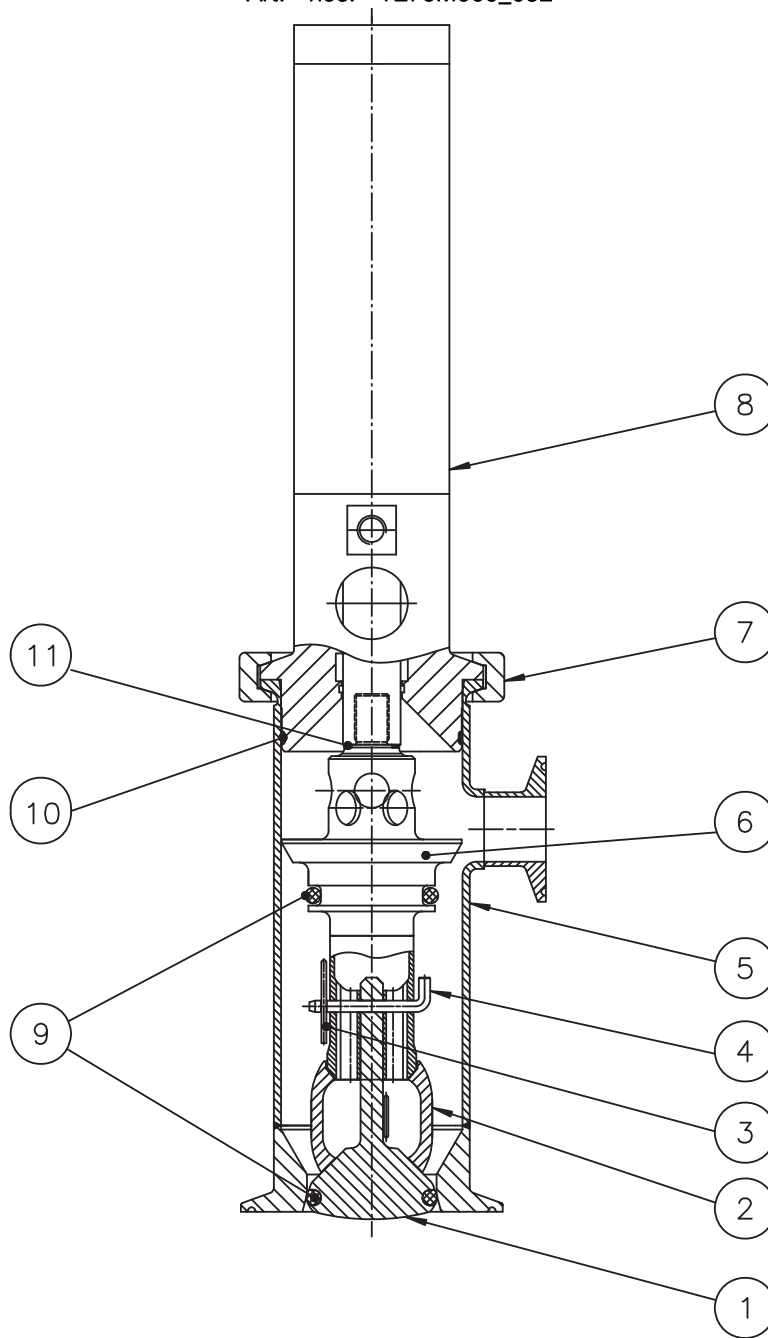
Original manual

Table of contents

The information herein is correct at the time of issue but may be subject to change without prior notice

1. Toftejorg SaniMidget Retractor Media Driven complete	4
2. Cylinder for Toftejorg SaniMidget Retractor, Media Driven	6
3. Standard Spare Part Kit for Toftejorg SaniMidget Retractor	8

Cross sectional drawing
Toftejorg SaniMidget Retractor Media Driven, complete
Art. nos. TE75M000_032



41010019

Toftejorg SaniMidget Retractor Media Driven complete

Reference List of Parts

Toftejorg SaniMidget Retractor Media Driven, complete

Art. nos. TE75M000_032

Pos	Qty	Denomination	Article no.	Materials	Remarks
1	1	Valve	TE75M502	Stainless steel	Spare part
2	1	Cleaner head	TE75M533	Polymer	Wear part
3	1	Spring pin	TE52D549	Stainless steel	Spare part
4	1	Lock-pin	TE75M529	Stainless steel	Spare part
5	1	Front tube, complete	See table*	Assy	
6	<input type="checkbox"/>	1 Piston, complete, stroke length = 100	TE75M310	Assy	Spare part
	<input type="checkbox"/>	1 Piston, complete, stroke length = 150	TE75M310-15	Assy	Spare part
	<input type="checkbox"/>	1 Piston, complete, stroke length = 250	TE75M310-25	Assy	Spare part
7	1	Clamp ring	TE51S126	Stainless steel	Spare part
8	<input type="checkbox"/>	1 Cylinder, compl., stroke length = 100	TE75M300	Assy - EPDM	Spare part
	<input type="checkbox"/>	1 Cylinder, compl., stroke length = 150	TE75M300-15	Assy - EPDM	Spare part
	<input type="checkbox"/>	1 Cylinder, compl., stroke length = 250	TE75M300-25	Assy - EPDM	Spare part
	<input type="checkbox"/>	1 Cylinder, compl., stroke length = 100	TE75M300-00-1	Assy - Viton	Spare part
	<input type="checkbox"/>	1 Cylinder, compl., stroke length = 150	TE75M300-15-1	Assy - Viton	Spare part
	<input type="checkbox"/>	1 Cylinder, compl., stroke length = 250	TE75M300-25-1	Assy - Viton	Spare part
	<input type="checkbox"/>	1 Cylinder, compl., stroke length = 100	TE75M300-00-2	Assy - Perflour	Spare part
	<input type="checkbox"/>	1 Cylinder, compl., stroke length = 150	TE75M300-15-2	Assy - Perflour	Spare part
	<input type="checkbox"/>	1 Cylinder, compl., stroke length = 250	TE75M300-25-2	Assy - Perflour	Spare part
9	<input type="checkbox"/>	2 O-ring	TE51T166	EPDM	Wear part
	<input type="checkbox"/>	2 O-ring	TE51T167	Viton	Wear part
	<input type="checkbox"/>	2 O-ring	TE51T168	Perflour	Wear part
10	<input type="checkbox"/>	1 O-ring	TE51T169	EPDM	Wear part
	<input type="checkbox"/>	1 O-ring	TE51T170	Viton	Wear part
	<input type="checkbox"/>	1 O-ring	TE51T171	Perflour	Wear part
11	<input type="checkbox"/>	1 Gasket	TE75M508	Polymer	Spare part

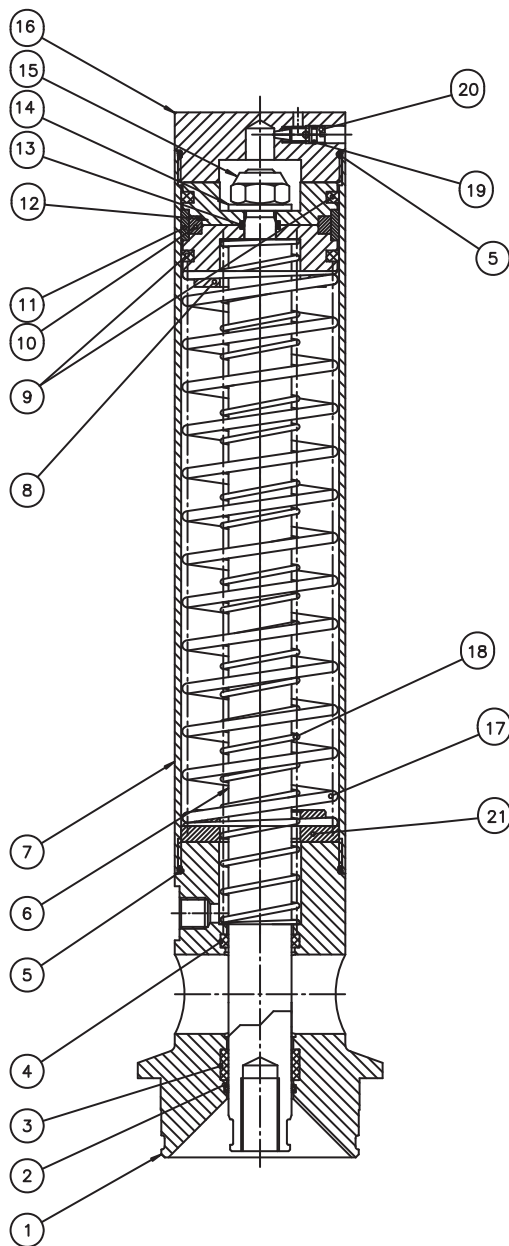
*) Pos. 5 Front tube, complete
Tank connection

Stroke length	Welding		Clamp	
	DIN 11.850	3" ISO/US	DN80 DIN 11.866	3"
100	TE75M315	TE75M316	TE75M317	TE75M318
150	-15	-15	-15	-15
250	-25	-25	-25	-25

Cross sectional drawing

Cylinder for Toftejorg SaniMidget Retractor, Media Driven

Art. nos. TE75M300, TE73M300-15, TE73M300-25, TE73M300-00-1, TE73M300-15-1, TE73M300-25-1, TE73M300-00-2, TE73M300-15-2, TE73M300-25-2



41010020

Cylinder for Toftejorg SaniMidget Retractor, Media Driven

Reference List of Parts

Cylinder for Toftejorg SaniMidget Retractor Media Driven

Art. nos. TE75M300, TE73M300-15, TE73M300-25, TE73M300-00-1, TE73M300-15-1, TE73M300-25-1, TE73M300-00-2, TE73M300-15-2, TE73M300-25-2

Pos	Qty	Denomination	Article no.	Material
1	1	Adapter	TE75M500	Stainless steel
2	□	1 O-ring	TE51T131	EPDM
	□	1 O-ring	TE51T134	Viton
	□	1 O-ring	TE51T133	Perflour
3	1	Guide tape	TE51L076	-
4	1	Wiper	TE51T085	-
5	2	O-ring	TE51T063	Elastomer
6	□	1 Shaft, stroke length = 100	TE75M520	Stainless steel
	□	1 Shaft, stroke length = 150	TE75M521	Stainless steel
	□	1 Shaft, stroke length = 250	TE75M522	Stainless steel
7	□	1 Cylinder, stroke length = 100	TE75M551	Stainless steel
	□	1 Cylinder, stroke length = 150	TE75M551-15	Stainless steel
	□	1 Cylinder, stroke length = 250	TE75M551-25	Stainless steel
8	1	Piston	TE75M528	Polymer
9	2	Gasket for Piston	TE51U500	Rubber
10	1	Magnet ring	TE75M550	-
11	1	Guide tape	TE51L077	-
12	1	Piston	TE75M509	Polymer
13	1	O-ring	TE51T064	Elastomer
14	1	Washer	TE51B054	Stainless steel
15	1	Locking nut	TE51A524	Stainless steel
16	1	End cover	TE75M527	Stainless steel
17	□	1 Spring, stroke length = 100	TE75M605	-
	□	1 Spring, stroke length = 150	TE75M606	-
	□	1 Spring, stroke length = 250	TE75M607	-
18	□	1 Spring, stroke length = 100	TE75M610	-
	□	1 Spring, stroke length = 150	TE75M611	-
	□	1 Spring, stroke length = 250	TE75M612	-
19	1	O-ring	TE51T172	Elastomer
20	1	Air screw	TE75M553	Stainless steel
21	1	Spring connection	TE75M530	Polymer
22	1	Air filter	TE51U126	Stainless steel

Standard Spare Part Kit for Toftejorg SaniMidget Retractor

Standard Spare Part Kit for Toftejorg SaniMidget Retractor		
Article no. TE75M299		
Article no.	Denomination	Qty.
TE75M533	Cleaner head	1
TE52D549	Spring pin	1
TE75M529	Lock-pin	1
TE51T166	O-ring	2
TE51T169	O-ring	1

How to contact Alfa Laval

Contact details for all countries are continually updated on our website.

Please visit www.alfalaval.com to access the information directly.

© Alfa Laval Corporate AB

This document and its contents is owned by Alfa Laval Corporate AB and protected by laws governing intellectual property and thereto related rights. It is the responsibility of the user of this document to comply with all applicable intellectual property laws. Without limiting any rights related to this document, no part of this document may be copied, reproduced or transmitted in any form or by any means (electronic, mechanical, photocopying, recording, or otherwise), or for any purpose, without the expressed permission of Alfa Laval Corporate AB. Alfa Laval Corporate AB will enforce its rights related to this document to the fullest extent of the law, including the seeking of criminal prosecution.