



**RODEM<sup>®</sup>**

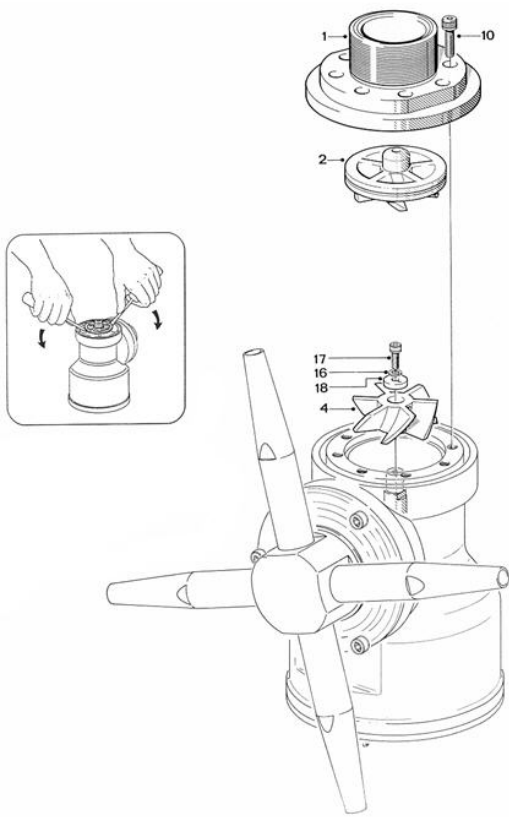
PROCESS EQUIPMENT

[www.rodem.com](http://www.rodem.com) 800-543-7312

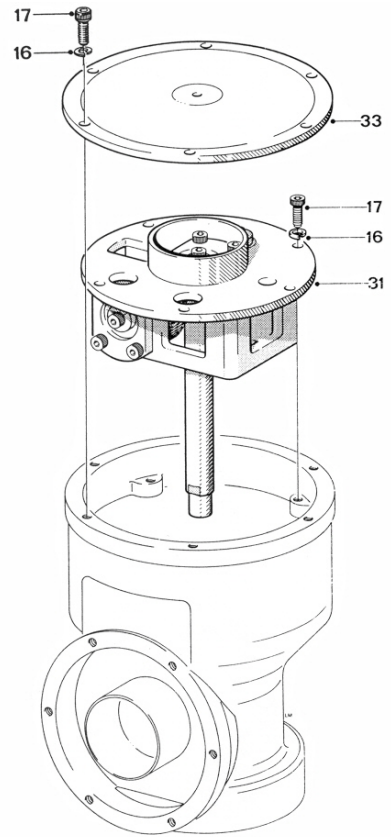
## Spare Parts

Toftejorg TZ-66

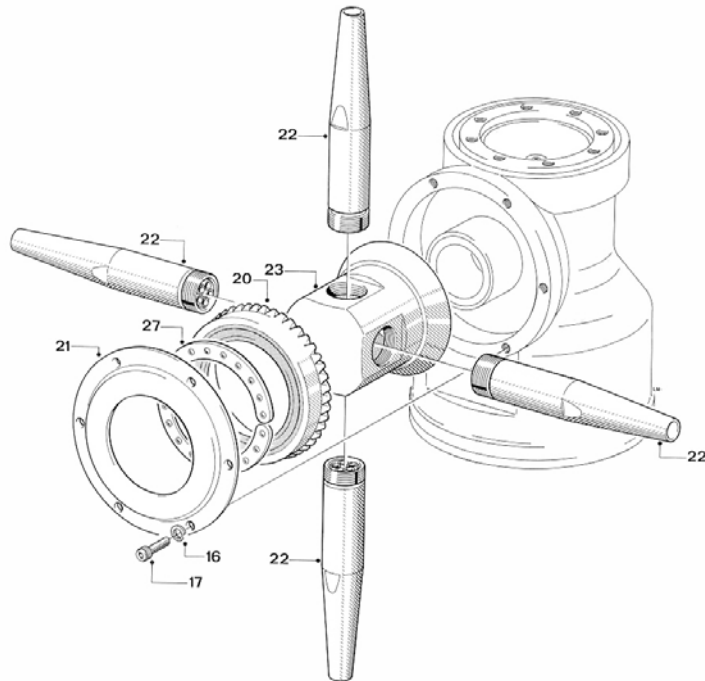
### Top assembly



### Bottom assembly



### Hub assembly





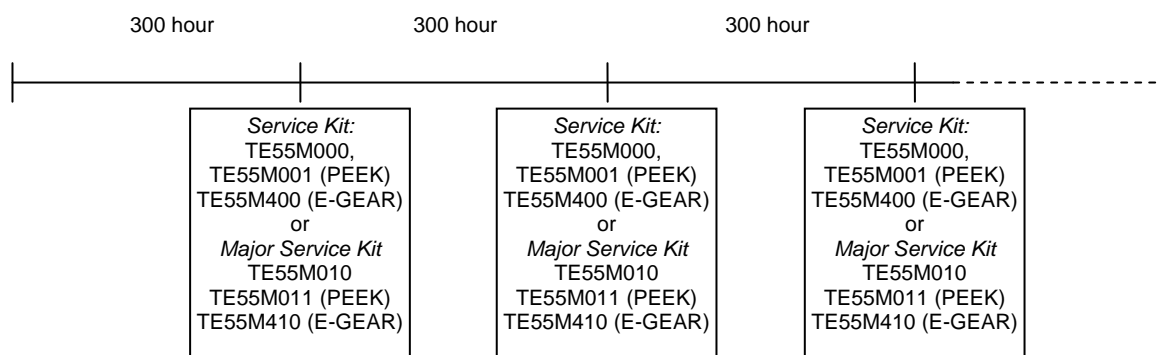
## Reference List of Parts, Toftejorg TZ-66

Pos.		Ref. no.	No./ Unit	Description	Material	Remarks
1	<input type="checkbox"/>	TE22B500	1	Nipple 2" BSP	Stainless steel	Spare part
	<input type="checkbox"/>	TE22B501	1	Nipple 2" NPT	Stainless steel	Spare part
	<input type="checkbox"/>	TE22B502	1	Nipple 2½" ASA-B26	Stainless steel	Spare part
2	<input type="checkbox"/>	TE603	1	Guide 100%	Stainless steel	Spare part
	<input type="checkbox"/>	TE103-0	1	Guide ring 0%	Stainless steel	Spare part
3		TE604Z	1	Stem	Stainless steel	Spare part
3.1		TE904-1	1	Top Liner	Polymer	Wear part
3.2		TEB604-2	1	Bottom Liner	Polymer	Wear part
4		TE605	1	Impeller 100%	Stainless steel	Spare part
5		TE608Z	1	Gland	Stainless steel	Spare part
6	<input type="checkbox"/>	TE609P	1	Main bush	Polymer	Wear part
	<input type="checkbox"/>	TE22B575	1	Main bush	Polymer	Wear part
7		TE911K	1	Turbine shaft	Stainless steel	Wear part
8		TE512-13	1	Gear wheel w. ball race	Stainless steel	Spare part
8.1		TE126-1	(1)	Ball race	Stainless steel	Wear part
10		TE120	14	Screw	Stainless steel	Spare part
11		TE114	1	Pinion	Stainless steel	Spare part
12	<input type="checkbox"/>	TE615K	3	Collar bush	Carbon	Wear part
	<input type="checkbox"/>	TE22A585	3	Collar bush	Polymer	Wear part
13	<input type="checkbox"/>	TE22A360	1	Worm wheel w. reinforcem.	Polymer/Stainless steel	Wear part
	<input type="checkbox"/>	TE22A365	1	Worm wheel w. reinforcem.	Polymer	Wear part
14	<input type="checkbox"/>	TE22A360	1	Worm wheel w. reinforcem.	Polymer/Stainless steel	Wear part
	<input type="checkbox"/>	TE22A365	1	Worm wheel w. reinforcem.	Polymer	Wear part
15		TE117	1	Journal	Stainless steel	Spare part
16		TE156	21	Spring washer	Stainless steel	Spare part
17		TE118	29	Screw	Stainless steel	Spare part
18		TE619A	4	Washer	Stainless steel	Spare part
19		TE101G	1	Handle 2"	Bronze	Spare part
20		TE622S	1	Bevel gear w. ball race	Stainless steel	Spare part
20.1		TE126-1	(1)	Ball race	Stainless steel	Wear part
21		TE22B340	1	Hub cover with ball race	Stainless steel	Spare part
21.1		TE126-1	(1)	Ball race	Stainless steel	Wear part
22	<input type="checkbox"/>	TE50B008	4	Nozzle, ø8	Stainless steel	Spare part
	<input type="checkbox"/>	TE50B009	4	Nozzle, ø9	Stainless steel	Spare part
	<input type="checkbox"/>	TE50B010	4	Nozzle, ø10	Stainless steel	Spare part
	<input type="checkbox"/>	TE50B011	2	Nozzle, ø11	Stainless steel	Spare part
22.1		TE50B000	2	Plug	Stainless steel	Spare part
23		TE624-4KZ	1	Hub	Stainless steel	Spare part
23.1		TE624-11	1	Hub liner	Polymer	Wear part
27		TE126S	2	Ball retainer with balls	Polymer/Stainless steel	Wear part
28		TE627Z	1	Body with bearings	Stainless steel	Not available
28.1		TE127Z1	(1)	Main collar upper	Stainless steel	Wear part
28.2		TE127Z2	(1)	Main collar lower	Stainless steel	Wear part
28.3		TE126-1	(1)	Ball race	Stainless steel	Wear part
28.4		TE127-3	(1)	Hub collar	Stainless steel	Wear part
29		TE128Z	1	Horizontal shaft	Stainless steel	Wear part
30	<input type="checkbox"/>	TE929K	2	Slide bearing	Carbon	Wear part
	<input type="checkbox"/>	TE22A570	2	Slide bearing	Polymer	Wear part
31		TE630	1	Gear frame	Stainless steel/Carbon	Spare part
32		TE531	2	Bearing cover	Stainless steel	Spare part
33		TE633-5	1	Bottom cover	Stainless steel	Spare part

Configuration as delivered marked

Please note that some of the polymer parts are in PEEK. PEEK is not resistant to concentrated sulfuric acid

## Service intervals



### Service Kit for Toftejorg TZ-66 Article No. TE55M000

Part No.	Description	No.
TE22A360	Worm wheel w. reinforcement	2 pcs.
TE609P	Main bush	1 pcs.
TE615K	Collar bush	3 pcs.
TE651	Locking Wire	4 pcs.
TE929K	Slide bearing	2 pcs.

### Service Kit Minor for Toftejorg TZ-66 (PEEK) Article No. TE55M001

Part No.	Description	No.
TE22B575	Main bush	1 pcs.
TE22A585	Collar bush	3 pcs.
TE22A365	Worm wheel w. reinforcement	2 pcs.
TE651	Locking Wire	4 pcs.
TE22A570	Slide bearing	2 pcs.

### Service Kit Minor for Toftejorg TZ-66 (E-gear) Article No. TE55M400

Part No.	Description	No.
TE609P	Main bush	1 pcs.
TE615K	Collar bush	3 pcs.
TE22A360	Worm wheel w. reinforcement	1 pcs.
TE22A564	Worm wheel w. reinforcement, E-gear	1 pcs.
TE651	Locking Wire	4 pcs.
TE929K	Slide bearing	2 pcs.

**Service Kit Major for Toftejorg TZ-66**  
Article No. TE55M010

<b>Qty x P/n</b>	<b>Description</b>	<b>No.</b>
TE911K	Turbine shaft	1 pcs.
TE126-1	Ball race	4 pcs.
TE624-11	Hub liner	1 pcs.
TE448	Split pin	1 pcs.
TE126S	Ball retainer w balls.	2 pcs.
TE127Z1	Main collar, upper	1 pcs.
TE127Z2	Main collar, lower	1 pcs.
TE127-3	Hub collar	1 pcs.
TE128Z	Horizontal shaft	1 pcs.
TE55M000	Service Kit Minor	1 pcs.

**Service Kit Major for Toftejorg TZ-66 (PEEK)**  
Article No. TE55M011

<b>Qty x P/n</b>	<b>Description</b>	<b>No.</b>
TE911K	Turbine shaft	1 pcs.
TE126-1	Ball race	4 pcs.
TE624-11	Hub liner	1 pcs.
TE448	Split pin	1 pcs.
TE126S	Ball retainer w balls.	2 pcs.
TE127Z1	Main collar, upper	1 pcs.
TE127Z2	Main collar, lower	1 pcs.
TE128Z	Horizontal shaft	1 pcs.
TE55M001	Service Kit Minor	1 pcs.

**Service Kit Major for Toftejorg TZ-66 (E-gear)**  
Article No. TE55M410

<b>Qty x P/n</b>	<b>Description</b>	<b>No.</b>
TE911K	Turbine shaft	1 pcs.
TE126-1	Ball race	4 pcs.
TE624-11	Hub liner	1 pcs.
TE448	Split pin	1 pcs.
TE126S	Ball retainer w balls.	2 pcs.
TE127Z1	Main collar, upper	1 pcs.
TE127Z2	Main collar, lower	1 pcs.
TE127-3	Hub collar	1 pcs.
TE128E	Horizontal shaft E-gear	1 pcs.
TE55M400	Service Kit Minor	1 pcs.

Standard Tool kit for Toftejorg TZ-66  
Article no. TE81B080

<b>Tool No.</b>	<b>Description</b>	<b>No.</b>
TE134	Unbraco key for screw	1 pcs.
TE134A	Unbraco screw driver	1 pcs.
TE135	Unbraco key for screw	1 pcs.
TE135A	Unbraco screw driver	1 pcs.

How to contact Alfa Laval  
Contact details for all countries are  
continually updated on our website.  
Please visit [www.alfalaval.com](http://www.alfalaval.com) to  
access the information direct.