



**RODEM**<sup>®</sup>

PROCESS EQUIPMENT

[www.rodem.com](http://www.rodem.com) 800-543-7312

## Spare Parts

Toftejorg TZ-67

EPS00157-EN 2013-07

Original manual

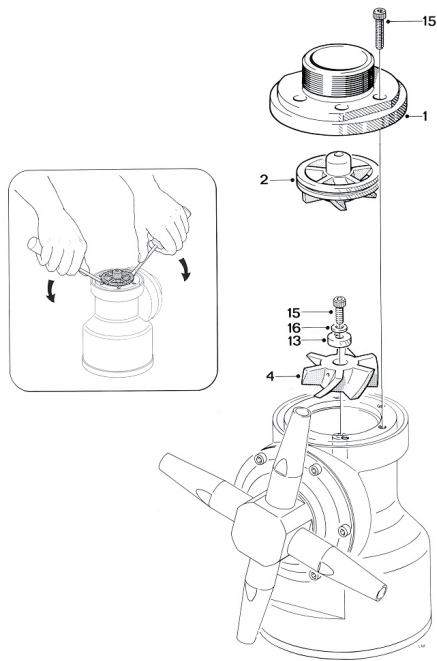


---

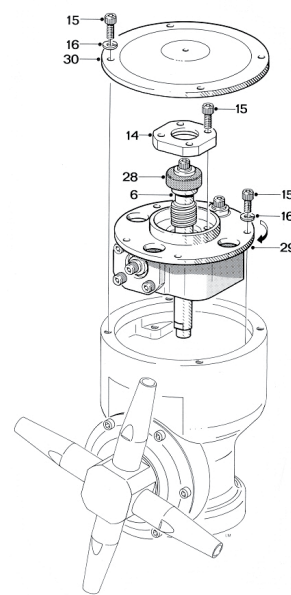
*The information herein is correct at the time of issue but may be subject to change without prior notice*

**1. Toftejorg TZ-67 ..... 4**

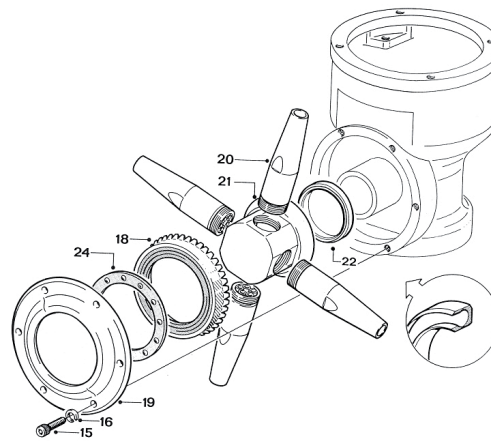
Top assembly



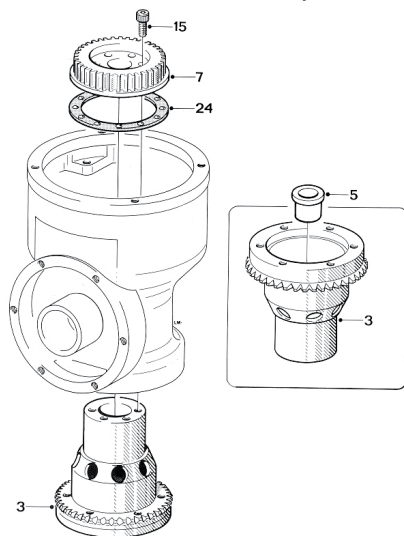
Bottom assembly



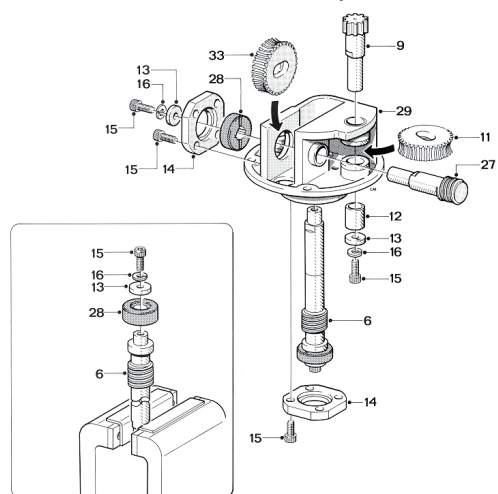
Hub subassembly



Stem subassembly

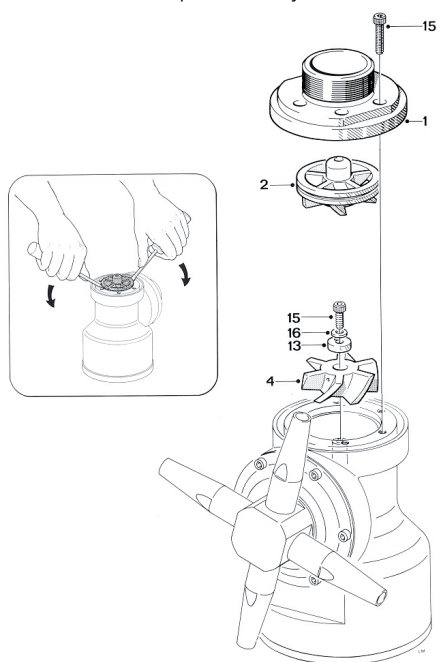


Gear subassembly

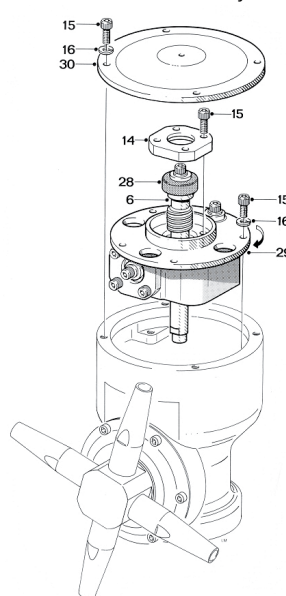


Pos	Qty	Denomination	Ref. no.
1	□	1 Nipple 1½" BSP, Stainless steel	TE21B500
	□	1 Nipple 1½" NPT, Stainless steel	TE21B501
2	□	1 Guide 100%, Stainless steel	TE703
	□	1 Guide ring 0%, Stainless steel	TE803-0
3		1 Stem, Stainless steel	TE21B526
4		1 Impeller 100%, Stainless steel	TE705
5		1 Main bush, Polymer	TE21A525
6		1 Turbine shaft, Stainless steel	TE411K
7		1 Gear wheel w. ball race, Stainless steel	TE712-13
7.1		1 Ball race, Stainless steel	TE826-1
9		1 Pinion, Stainless steel	TE814
10		3 Collar bush, Polymer	TE21A585
11+33		1 Worm wheel w. reinforcem., Polymer	TE21A367
12		1 Journal, Stainless steel	TE817
13		4 Washer, Stainless steel	TE719A
14		2 Bearing cover, Stainless steel	TE731
15		38 Screw, Stainless steel	TE118
16		18 Spring washer, Stainless steel	TE156
17		1 Handle 1½" BSP, Bronze	TE801A
18		1 Bevel gear w. ball race, Stainless steel	TE722S
18.1		0 Ball race, Stainless steel	TE826-1
19		1 Hub cover w. ball race, Stainless steel	TE21B340
19.1		0 Ball race, Stainless steel	TE826-1
20		4 Nozzle, ø6 mm, Stainless steel	TE50A006
	□	4 Nozzle, ø7 mm, Stainless steel	TE50A007
	□	4 Nozzle, ø8 mm, Stainless steel	TE50A008
	□	2 Nozzle, ø10 mm, Stainless steel	TE50A010
20.1		2 Plug, Stainless steel	TE50A000
21		1 Hub, Stainless steel	TE21C536
22		1 Lip seal, Elastomer	TE21B549
24		2 Ball retainer w. balls, Polymer/Stainless steel	TE21A380
26		1 Body, Stainless steel	TE727Z4
26.1		1 Main collar upper, Polymer	TE21B520
26.2		1 Main collar lower, Polymer	TE21B521
26.3		1 Ball race, Stainless steel	TE826-1
27		1 Horizontal shaft, Stainless steel	TE828Z
28		2 Slide bearing, Polymer	TE21A570
29		1 Gear frame, Stainless steel	TE730
30		1 Bottom cover, Stainless steel	TE733-5
33		1 Worm wheel w. reinforcem., Polymer	TE21A367

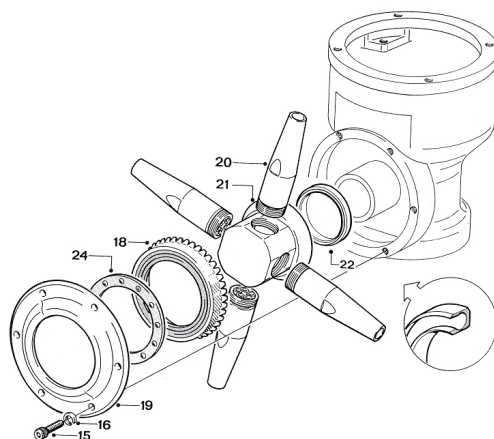
Top assembly



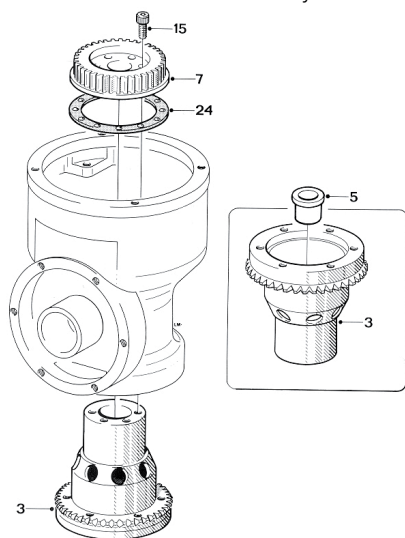
Bottom assembly



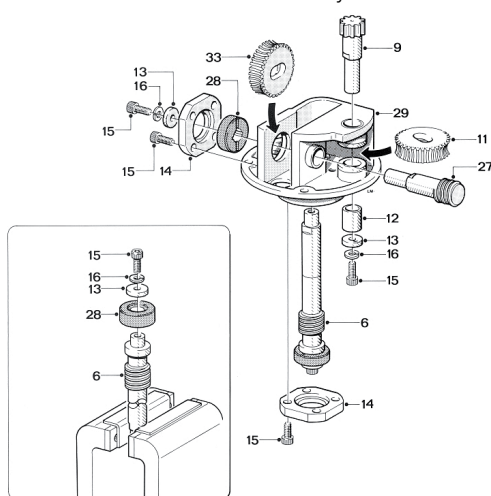
Hub subassembly



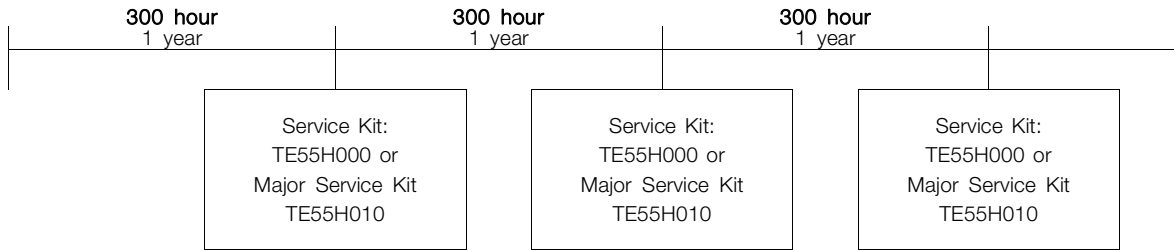
Stem subassembly



Gear subassembly



Service intervals



Service Kit Minor for Toftejorg TZ-67

Article No. TE55H000

Pos	Qty	Denomination	Part No.
	2	Worm wheel w. reinforcement .....	TE21A367
	1	Main bush .....	TE21A525
	2	Slide bearing .....	TE21A570
	3	Collar bush .....	TE21A585
	1	Lip seal .....	TE21B549

Service Kit Major for Toftejorg TZ-67

Article No. TE55H010

Pos	Qty	Denomination	Part No.
	1	Stem, complete .....	TE21B328
	4	Ball race .....	TE826-1
	2	Ball retainer w. balls .....	TE21A380
	1	Split pin .....	TE448
	1	Main collar upper .....	TE827Z1
	1	Main collar lower .....	TE827G2
	1	Horizontal shaft .....	TE828Z
	1	Service Kit Minor .....	TE55H000

Service Kit for previous versions

Service Kit for Toftejorg TZ-67

Article No. TE21B299

Pos	Qty	Denomination	Part No.
For machines delivered before October 1, 1993			
	2	Worm wheel w. reinforcement .....	TE21A367
	2	Slide bearing .....	TE21A570
	3	Collar bush .....	TE21A585
	1	Main bush .....	TE21B375

Upgrade Kit for Toftejorg TZ-67

Article No. TE21C285

For machines delivered January 1, 1986 - June 30, 1993

Pos	Qty	Denomination	Part No.
	1	Stem, completet .....	TE21B328
	1	4 Nozzle hub .....	TE21C536
	1	Lip seal .....	TE21B549
	1	Main bush .....	TE21A525
	2	Slide bearing .....	TE21A570
	2	Worm wheel .....	TE21A367
	1	Turbine shaft .....	TE411K
	4	Ball race .....	TE826-1
	2	Ball retainer with balls .....	TE21A380
	3	Collar bush .....	TE21A585
	1	Horizontal shaft .....	TE828Z

## Toftejorg TZ-67

---

### Upgrade Kit for Toftejorg TZ-67

Article No. TE21C286

For machines delivered after July 1, 1993

Pos	Qty	Denomination	Part No.
	1	Main bush .....	TE21A525
	2	Slide bearing .....	TE21A570
	2	Worm wheel .....	TE21A367
	1	Turbine shaft .....	TE411K
	4	Ball race .....	TE826-1
	2	Ball retainer with balls .....	TE21A380
	3	Collar bush .....	TE21A585
	1	Horizontal shaft .....	TE828Z
	1	Lip seal .....	TE21B549

### Standard Tool Kit for Toftejorg TZ-67

Article no. TE81B050

Pos	Qty	Denomination	Tool No.
	1	Hex Key for Screw .....	TE134
	2	Hex Screwdriver for Screw .....	TE134A





**How to contact Alfa Laval**

Contact details for all countries are continually updated on our website.

Please visit [www.alfalaval.com](http://www.alfalaval.com) to access the information directly.

© Alfa Laval Corporate AB

This document and its contents is owned by Alfa Laval Corporate AB and protected by laws governing intellectual property and thereto related rights. It is the responsibility of the user of this document to comply with all applicable intellectual property laws. Without limiting any rights related to this document, no part of this document may be copied, reproduced or transmitted in any form or by any means (electronic, mechanical, photocopying, recording, or otherwise), or for any purpose, without the expressed permission of Alfa Laval Corporate AB. Alfa Laval Corporate AB will enforce its rights related to this document to the fullest extent of the law, including the seeking of criminal prosecution.