



RODEM[®]

PROCESS EQUIPMENT

www.rodem.com 800-543-7312

Spare Parts

Toftejorg TZ-74 Self Cleaning Version

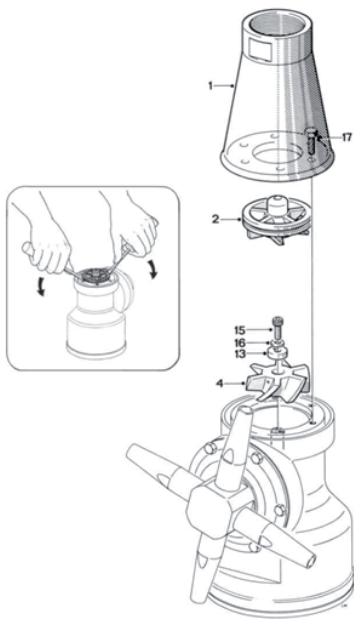
EPS00154-EN 2013-07

Original manual

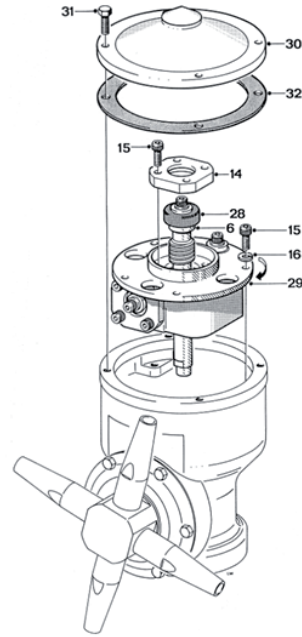
The information herein is correct at the time of issue but may be subject to change without prior notice

1. Toftejorg TZ-74 Self Cleaning Version 4

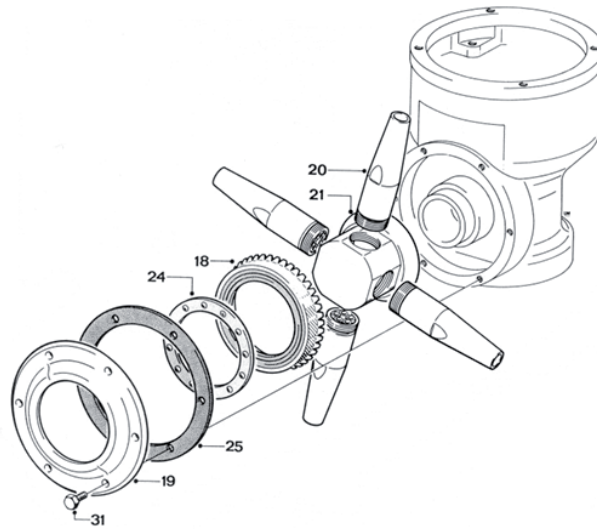
Top assembly



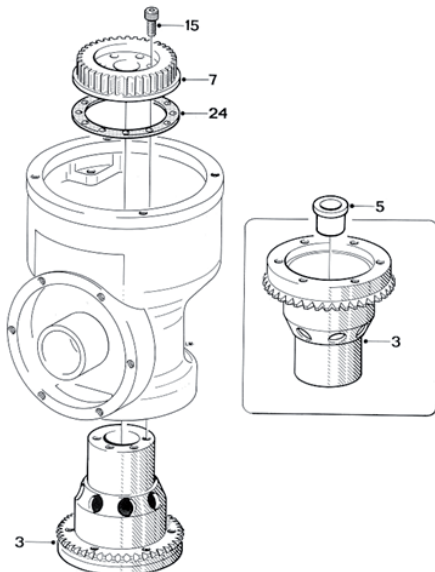
Bottom assembly



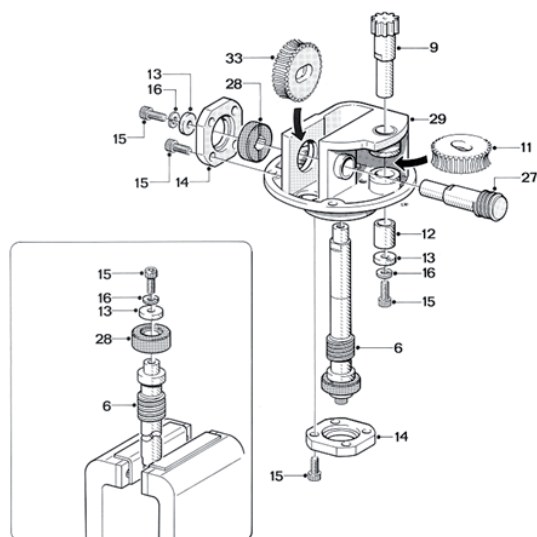
Hub subassembly



Stem subassembly



Gear subassembly

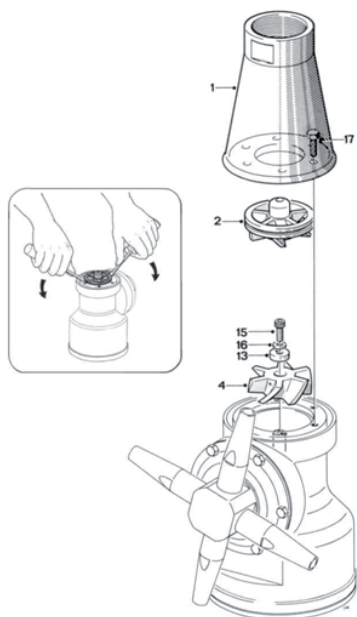


Toftejorg TZ-74 Self Cleaning Version

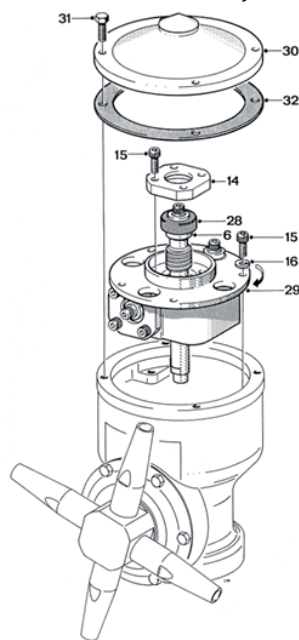
Reference List of Parts, Toftejorg TZ-74 Self Cleaning Version

| Pos | Qty | Denomination | Ref. No. |
|-------|-----|---|----------|
| 1 | □ | 1 Top Cone 1½" BSP, Stainless steel | TE21D500 |
| | □ | 1 Top Cone 1½" NPT, Stainless steel | TE21D501 |
| | □ | 1 Top Cone 2" NPT, Stainless steel | TE21D511 |
| | □ | 1 Top Cone 2" NPT, Stainless steel | TE21D511 |
| 2 | □ | 1 Guide 100%, Stainless steel | TE703 |
| | □ | 1 Guide ring 0%, Stainless steel | TE803-0 |
| 3 | | 1 Stem f. Toftej.TZ-74 self-clean , Stainless steel | TE21D561 |
| 4 | | 1 Impeller 100%, Stainless steel | TE705 |
| 5 | | 1 Main bush, Polymer | TE21A525 |
| 6 | | 1 Turbine shaft, Stainless steel | TE411K |
| 7 | | 1 Gear wheel w. ball race, Stainless steel | TE712-13 |
| 7.1 | 0 | Ball race, Stainless steel | TE826-1 |
| 9 | | 1 Pinion, Stainless steel | TE814 |
| 10 | 3 | Collar bush, Polymer | TE21A585 |
| 11+33 | 2 | Worm wheel w. reinforcem., Polymer | TE21A367 |
| 12 | 1 | Journal, Stainless steel | TE817 |
| 13 | 4 | Washer, Stainless steel | TE719A |
| 14 | 2 | Bearing cover, Stainless steel | TE731 |
| 15 | 22 | Screw, Stainless steel | TE118 |
| 16 | 8 | Spring washer, Stainless steel | TE156 |
| 17 | 6 | Hex Screw, Stainless steel | TE402H |
| 18 | 1 | Bevel gear w. ball race, Stainless steel | TE722S |
| 18.1 | 0 | Ball race, Stainless steel | TE826-1 |
| 19 | 1 | Hub cover w. ball race, Stainless steel | TE21D340 |
| 19.1 | 0 | Ball race, Stainless steel | TE826-1 |
| 20 | □ | 4 Nozzle, ø6 mm, Stainless steel | TE50A006 |
| | □ | 4 Nozzle, ø7 mm, Stainless steel | TE50A007 |
| | □ | 4 Nozzle, ø8 mm, Stainless steel | TE50A008 |
| | □ | 2 Nozzle, ø10 mm, Stainless steel | TE50A010 |
| 20.1 | 2 | Plug, Stainless steel | TE50A000 |
| 21 | 1 | Hub, Stainless steel | TE21C536 |
| 24 | 2 | Ball retainer w. balls, Polymer/Stainless steel | TE21A380 |
| 25 | 1 | Hub gasket, Polymer/elastomer | TE21D562 |
| 26 | 1 | Body w. clean nozzle, Stainless steel | TE21D560 |
| 26.1 | 1 | Main collar upper, Polymer | TE21B520 |
| 26.2 | 1 | Main collar lower, Polymer | TE21B521 |
| 26.3 | 1 | Ball race, Stainless steel | TE826-1 |
| 26.4 | 1 | Hub liner, Polymer | TE21D522 |
| 27 | 1 | Horizontal shaft, Stainless steel | TE828Z |
| 28 | 2 | Slide bearing, Polymer | TE21A570 |
| 29 | 1 | Gear frame, Stainless steel | TE730 |
| 30 | 1 | Bottom cover compl., Stainless steel | TE21D350 |
| 31 | 10 | Hex Screw, Stainless steel | TE421H |
| 32 | 1 | Bottom gasket, Polymer/elastomer | TE21D563 |
| 33 | 0 | See pos. 11 | TE21A367 |

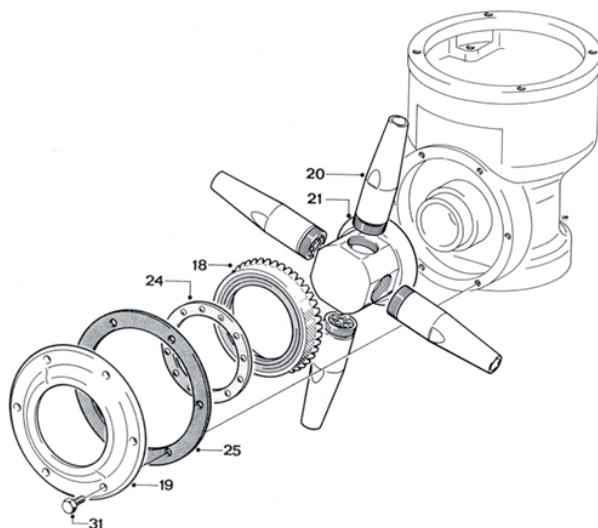
Top assembly



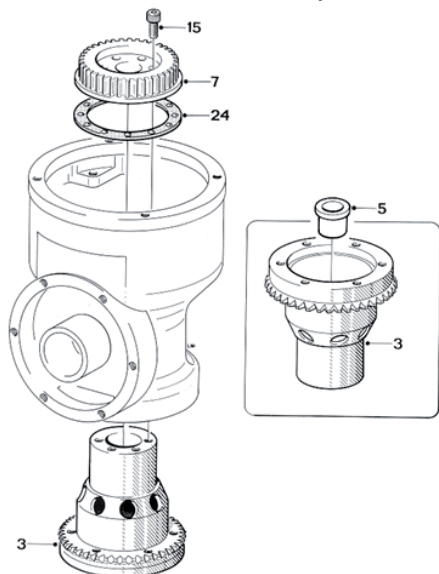
Bottom assembly



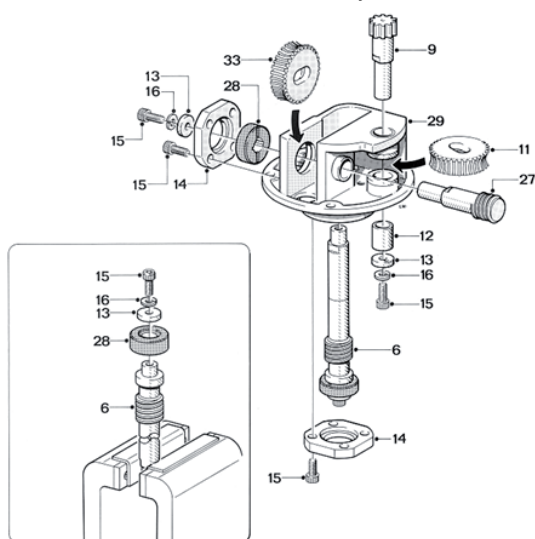
Hub subassembly



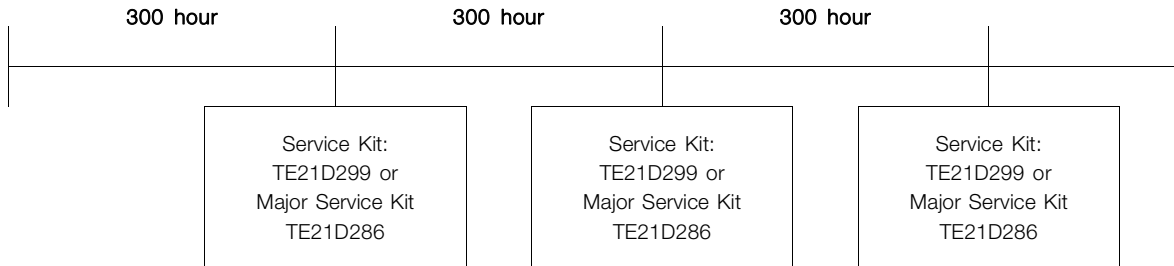
Stem subassembly



Gear subassembly



Service intervals



Service Kit for Toftejorg TZ-74

Article No. TE21D299

| Pos | Qty | Denomination | Part No. |
|-----|-----|---------------------|----------|
| | 2 | Worm wheel | TE21A367 |
| | 1 | Main bush | TE21A525 |
| | 2 | Slide bearing | TE21A570 |
| | 3 | Collar bush | TE21A585 |

Major Service Kit for Toftejorg TZ-74

Article No. TE21D286

| Pos | Qty | Denomination | Part No. |
|-----|-----|------------------------------|----------|
| | 1 | Main bush | TE21A525 |
| | 2 | Slide bearing | TE21A570 |
| | 2 | Worm wheel | TE21A367 |
| | 1 | Turbine shaft | TE411K |
| | 4 | Ball race | TE826-1 |
| | 2 | Ball retainer w. balls | TE21A380 |
| | 3 | Collar bush | TE21A585 |
| | 1 | Horizontal shaft | TE828Z |
| | 1 | Hub collar | TE21D522 |

Standard Tool kit for Toftejorg TZ-74

Article No. TE81B055

| Pos | Qty | Denomination | Tool No. |
|-----|-----|-----------------------------------|----------|
| | 1 | Hex Key for Screw | TE134 |
| | 2 | Hex Screwdriver for Screw | TE134A |
| | 1 | Socket wrench for Hex Screw | TE462A |

How to contact Alfa Laval

Contact details for all countries are continually updated on our website.

Please visit www.alfalaval.com to access the information directly.

© Alfa Laval Corporate AB

This document and its contents is owned by Alfa Laval Corporate AB and protected by laws governing intellectual property and thereto related rights. It is the responsibility of the user of this document to comply with all applicable intellectual property laws. Without limiting any rights related to this document, no part of this document may be copied, reproduced or transmitted in any form or by any means (electronic, mechanical, photocopying, recording, or otherwise), or for any purpose, without the expressed permission of Alfa Laval Corporate AB. Alfa Laval Corporate AB will enforce its rights related to this document to the fullest extent of the law, including the seeking of criminal prosecution.