



RODEM[®]

PROCESS EQUIPMENT

www.rodem.com 800-543-7312

Spare Parts

Toftejorg TZ-75 Portable

EPS00188-EN2 2014-10

Original manual

Table of contents

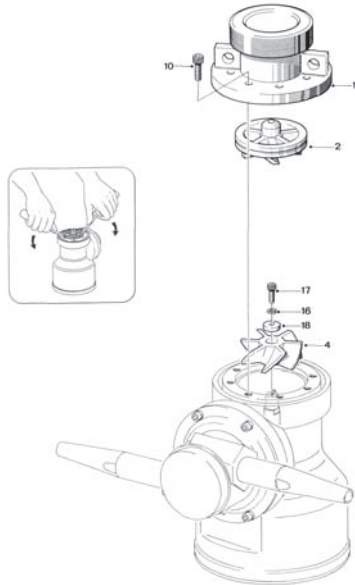
The information herein is correct at the time of issue but may be subject to change without prior notice

1. Assembly drawing overview	4
2. Toftejorg TZ-75 Portable Reference List of Parts	5
3. Toftejorg TZ-75 Portable Service Intervals and Kits	6

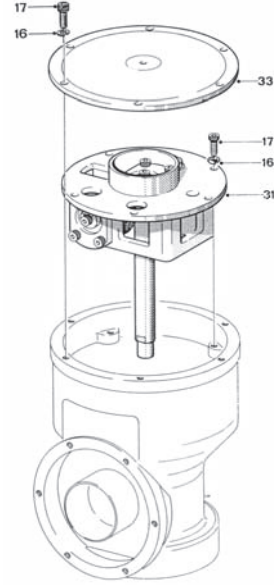
1 Assembly drawing overview

Assembly drawings

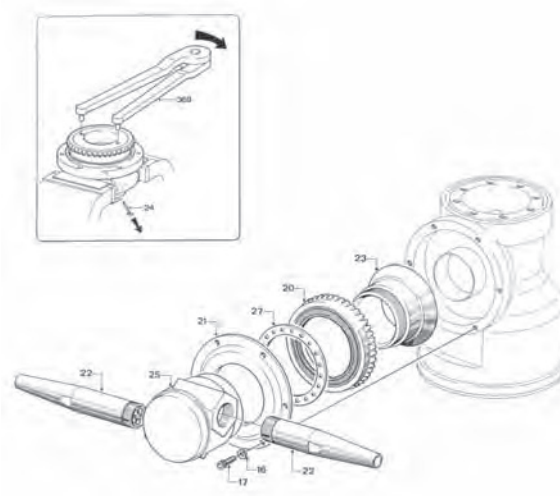
Top assembly



Bottom assembly



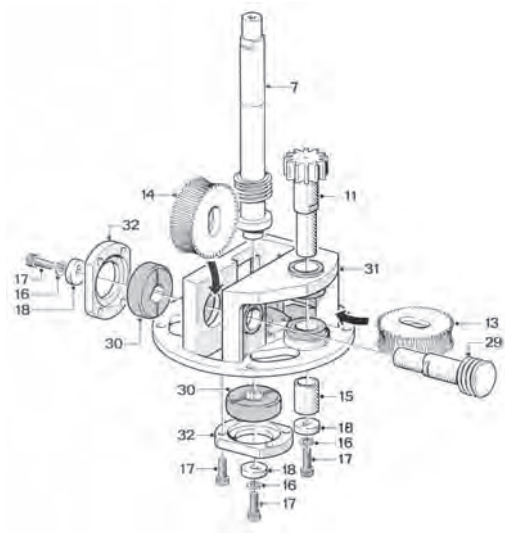
Hub assembly



Stem subassembly



Gear subassembly

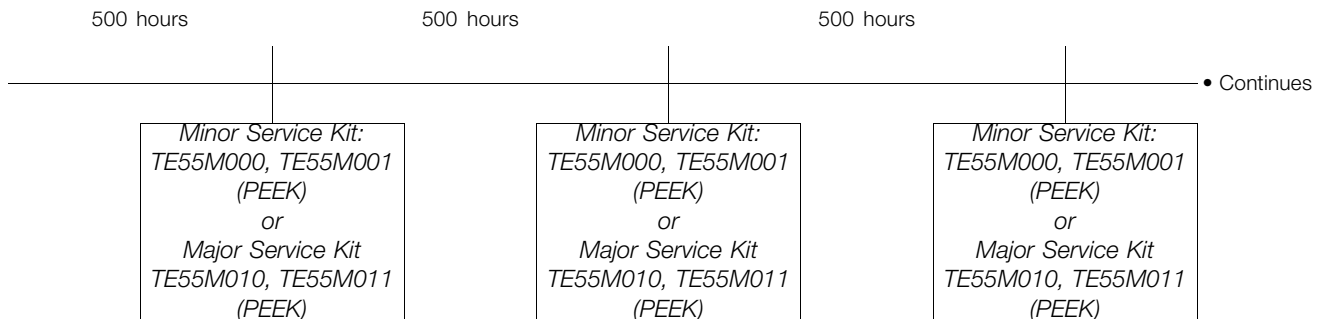


2 Toftejorg TZ-75 Portable Reference List of Parts

Toftejorg TZ-75 Portable Reference List of Parts

Pos	Qty	Denomination	Article no.	Material	Remarks
1	1	Nipple 2" BSP	TE22B500	Stainless steel	Spare part
	1	Nipple 2" NPT	TE22B501	Stainless steel	Spare part
	1	Nipple 2 1/2" ASA-B26	TE22B502	Stainless steel	Spare part
2	1	Guide 100%	TE603	Stainless steel	Spare part
	1	Guide ring 0%	TE103-0	Stainless steel	Spare part
3	1	Stem	TE604Z	Stainless	Spare part
3.1	-	Bottom liner	TEB604-2	steel/Polymer	Wear part
3.2	-	Top liner	TE904-1	Polymer	-
4	1	Impeller 100%	TE605	Stainless steel	Spare part
5	1	Gland	TE608Z	Stainless steel	Spare part
6	1	Main bush	TE609P	Polymer	Wear part
7	1	Turbine shaft	TE911K	Stainless steel	Wear part
8	1	Gear wheel w. Ball race	TE512-13	Stainless steel	Spare part
8.1	-	Ball race	TE126-1	Stainless steel	Wear part
10	6	Screw	TE120	Stainless steel	Spare part
11	1	Pinion	TE114	Stainless steel	Spare part
12	3	Collar bush	TE615K	Carbon	Wear part
13	1	Worm wheel w. reinforcem.	TE22A360	Polymer/Stain-	Wear part
14	1	Worm wheel w. reinforcem.	TE22A360	less steel	Wear part
		Worm wheel, e-gear	TE22A564	Polymer/Stain-	Wear part
15	1	Journal	TE117	Stainless steel	Spare part
16	21	Spring washer	TE156	Stainless steel	Spare part
17	29	Screw	TE118	Stainless steel	Spare part
18	4	Washer	TE619A	Stainless steel	Spare part
19	1	Handle 2 1/2" ASA-B26	TE101A	Bronze	Spare part
	1	Handle 2" BSP	TE101G	Bronze	Spare part
20	1	Bevel gear w. ball race	TE622S	Stainless steel	Spare part
20.1	-	Ball race	TE126-1	Stainless steel	Wear part
21	1	Hub cover w. ball race	TE22B340	Stainless steel	Spare part
21.1	-	Ball race	TE126-1	Stainless steel	Wear part
22	2	Nozzle, ø 11 mm	TE50C011	Stainless steel	Spare part
	2	Nozzle, ø 12 mm	TE50C012	Stainless steel	Spare part
	2	Nozzle, ø 13 mm	TE50C013	Stainless steel	Spare part
	2	Nozzle, ø 14 mm	TE50C014	Stainless steel	Spare part
	2	Nozzle, ø 15 mm	TE50C015	Stainless steel	Spare part
23	1	Hub conical part	TE624-OKZ	Stainless	Spare part
23.1	-	Hub liner	TE624-11	steel/Polymer	Wear part
24	1	Cotter pin	TE448	Polymer	Wear part
25	1	Hub nozzle part	TE624-2-15	Stainless steel	Spare part
27	2	Ball retainer w. balls	TE126S	Polymer/Stain-	Wear part
28	1	Body with bearings	TE627Z	less steel	Not available
28.1	-	Main collar upper	TE127Z1	Stainless steel	Wear part
28.2	-	Main collar lower	TE127Z2	Stainless steel	Wear part
28.3	-	Ball race	TE126-1	Stainless steel	Wear part
28.4	-	Hub collar	TE127-3	Stainless steel	Wear part
29	1	Horizontal shaft	TE128Z	Stainless steel	Wear part
	1	Horizontal shaft, e-gear	TE128E	Stainless steel	Wear part
30	2	Slide bearing	TE929K	Carbon	Wear part
31	1	Gear frame	TE630	Stainless steel	Spare part
32	2	Bearing cover	TE531	Stainless steel	Spare part
33	1	Bottom cover	TE633-5	Stainless steel	Spare part
34	2	Nozzle extension	TE50C101	Stainless steel	Spare part

3 Toftejorg TZ-75 Portable Service Intervals and Kits



Service Kit Minor for Toftejorg TZ-75, all versions
Article no. TE55M000

Qty.	Article no.	Denomination
2	TE22A360	Worm wheel w. reinforcement
1	TE609P	Main bush
3	TE615K	Collar bush
4	TE651	Locking wire
2	TE929K	Slide bearing

Service Kit Minor for Toftejorg TZ-75 (PEEK), portable versions
Article no. TE55M001

Qty.	Article no.	Denomination
1	TE22B575	Main bush
3	TE615K	Collar bush
2	TE22A360	Worm wheel w. reinforcement
4	TE651	Locking wire
2	TE22A570	Slide bearing

Service Kit Major for Toftejorg TZ-75, all versions
Article no. TE55M010

Qty.	Article no.	Denomination
1	TE911K	Turbine shaft
4	TE126-1	Ball race
1	TE624-11	Hub liner
1	TE448	Cotter pin
2	TE126S	Ball retainer w. balls
1	TE127Z1	Main collar, upper
1	TE127Z2	Main collar, lower
1	TE127-3	Collar, hub
1	TE128Z	Horizontal shaft
1	TE55M000	Service Kit Minor

3 Toftejorg TZ-75 Portable Service Intervals and Kits

Service Kit Major for Toftejorg TZ-75 (PEEK), portable versions
Article no. TE55M011

Qty.	Article no.	Denomination
1	TE911K	Turbine shaft
4	TE126-1	Ball race
1	TE624-11	Hub liner
1	TE448	Cotter pin
2	TE126S	Ball retainer w. balls
1	TE127Z1	Main collar, upper
1	TE127Z2	Main collar, lower
1	TE128Z	Horizontal shaft
1	TE55M001	Service Kit Minor

How to contact Alfa Laval

Contact details for all countries are continually updated on our website.

Please visit www.alfalaval.com to access the information directly.

© Alfa Laval Corporate AB

This document and its contents is owned by Alfa Laval Corporate AB and protected by laws governing intellectual property and thereto related rights. It is the responsibility of the user of this document to comply with all applicable intellectual property laws. Without limiting any rights related to this document, no part of this document may be copied, reproduced or transmitted in any form or by any means (electronic, mechanical, photocopying, recording, or otherwise), or for any purpose, without the expressed permission of Alfa Laval Corporate AB. Alfa Laval Corporate AB will enforce its rights related to this document to the fullest extent of the law, including the seeking of criminal prosecution.