



RODEM[®]

PROCESS EQUIPMENT

www.rodem.com 800-543-7312

Spare Parts

Toftejorg TZ-79

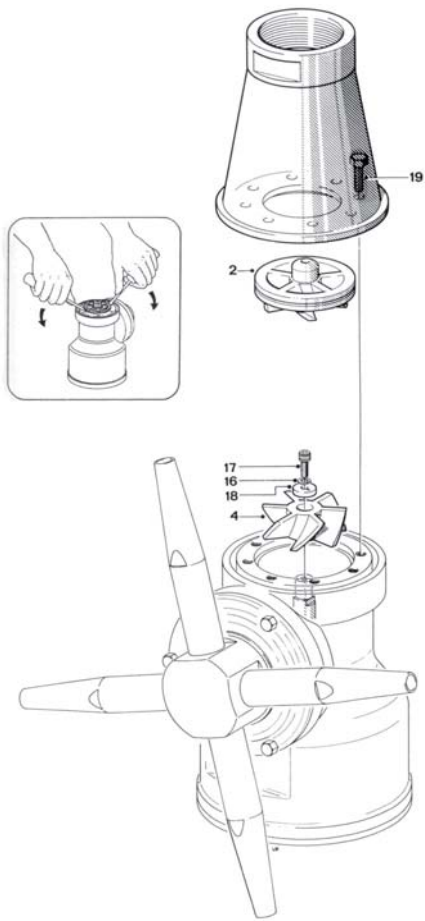
EPS00156-EN1 2013-05

Original manual

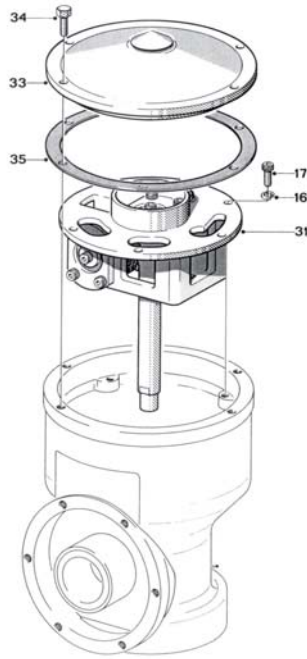
The information herein is correct at the time of issue but may be subject to change without prior notice

1. Toftejorg TZ-79 **4**

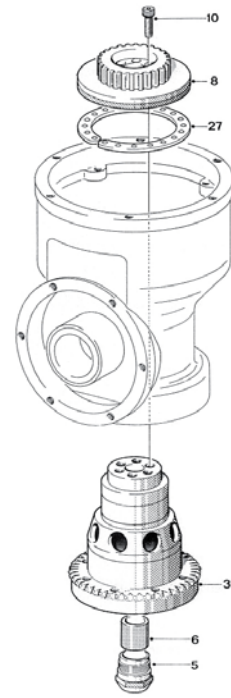
Top assembly



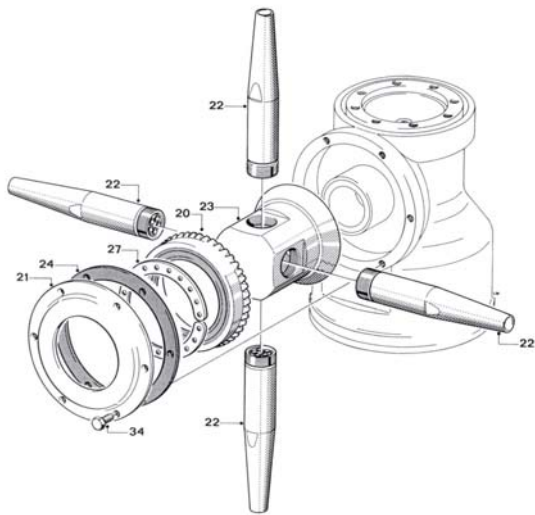
Bottom assembly



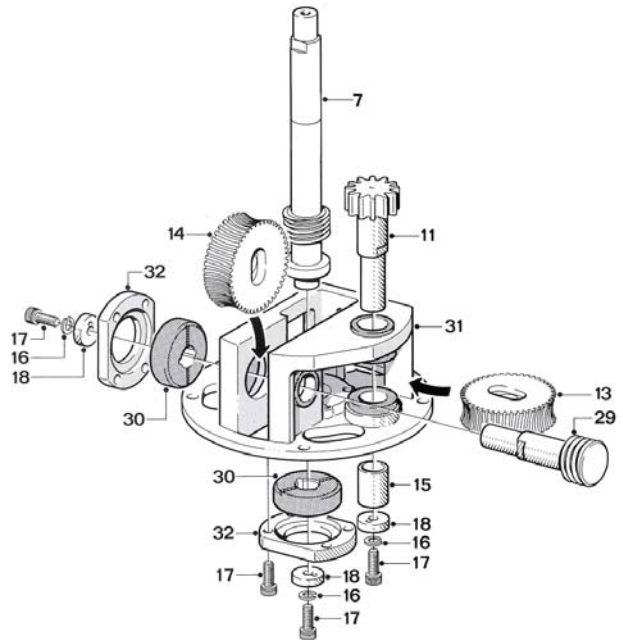
Stem subassembly



Hub subassembly



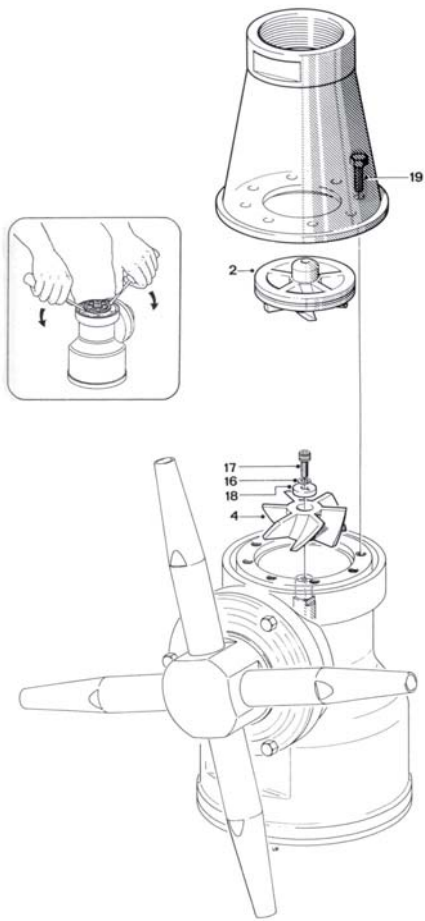
Gear subassembly



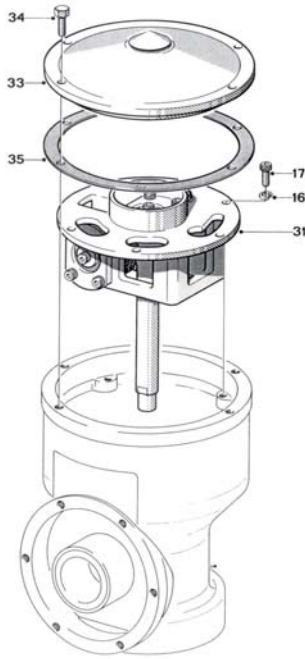
Reference List of Parts, Toftejorg TZ-79

Pos	Qty	Denomination	
1	□	1 Top cone 2" BSP, Stainless steel	TE22D500
	□	1 Top cone 2" NPT, Stainless steel	TE22D501
2	□	1 Guide 100%, Stainless steel	TE603
	□	1 Guide ring 0%, Stainless steel	TE103-0
3		1 Stem w. liners, Stainless steel/Polymer	TE604Z
3.1	-1	Top liner, Polymer	TE904-1*)
3.2	-1	Bottom liner, Polymer	TEB604-2*)
4		1 Impeller 100%, Stainless steel	TE605
5		1 Gland, Stainless steel	608Z
6	□	1 Main bush, Polymer	TE609P
	□	1 Main bush, Polymer	TE22B575
7		1 Turbine shaft, Stainless steel	TE911K
8		1 Gear wheel w. ball race, Stainless steel	TE512-13
8.1	-1	Ball race, Stainless steel	TE126-1
10		6 Screw, Stainless steel	TE120
11		1 Pinion, Stainless steel	TE114
12	□	3 Collar bush, Carbon	TE615K
	□	3 Collar bush, Polymer	TE22A585
13	□	1 Worm wheel w. reinforcem., Polymer/Stainless steel	TE22A360
	□	1 Worm wheel w. reinforcem., Polymer	TE22A365
14	□	1 Worm wheel w. reinforcem., Polymer/Stainless steel	TE22A360
	□	1 Worm wheel w. reinforcem., Polymer/Stainless steel	TE22A365
15		1 Journal, Stainless steel	TE117
16		9 Spring washer, Stainless steel	TE156
17		17 Screw, Stainless steel	TE118
18		4 Washer, Stainless steel	TE619A
19		8 Screw, Stainless steel	TE902H
20		1 Bevel gear w. ball race, Stainless steel	TE622S
20.1	-1	Ball race, Stainless steel	TE126-1
21		1 Hub cover w. ball race, Stainless steel	TE22D340
21.1	-1	Ball race, Stainless steel	TE126-1
22	□	4 Nozzle, ø8, Stainless steel	TE50B008
	□	4 Nozzle, ø9, Stainless steel	TE50B009
	□	4 Nozzle, ø10, Stainless steel	TE50B010
	□	2 Nozzle, ø11, Stainless steel	TE50B011
22.1		2 Plug, Stainless steel	TE50B000
23		1 Hub w. liner, Stainless steel	TE624-4KZ
23.1	-1	Hub liner, Polymer	TE624-11*)
24		1 Hub gasket, Modified polymer, elastomer	TE22D553
27		2 Ball retainer w. balls, Polymer/Stainless steel	TE126S
28		1 Body with bearings, Stainless steel	TE627Z
28.1	-1	Main collar upper, Stainless steel	TE127Z1
28.2	-1	Main collar lower, Stainless steel	TE127Z2
28.3	-1	Ball race, Stainless steel	TE126-1
28.4	-1	Hub collar, Stainless steel	TE127-3
29		1 Horizontal shaft, Stainless steel	TE128Z
30	□	2 Slide bearing, Carbon	TE929K
	□	2 Slide bearing, Polymer	TE22A570
31		1 Gear frame w. bushes, Stainless steel/Carbon	TE630R
32		2 Bearing cover, Stainless steel	TE531
33		1 Bottom cover, compl., Stainless steel	TE22D350
34		12 Screw, Stainless steel	TE421H
35		1 Bottom gasket, Modified polymer, elastomer	TE22D554

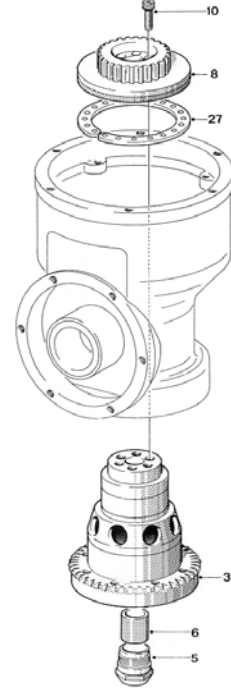
Top assembly



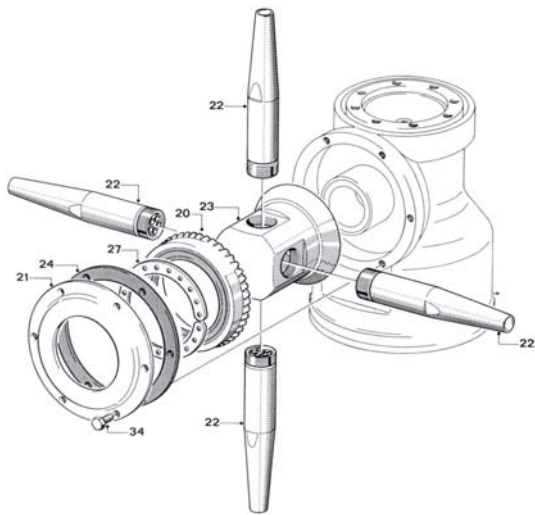
Bottom assembly



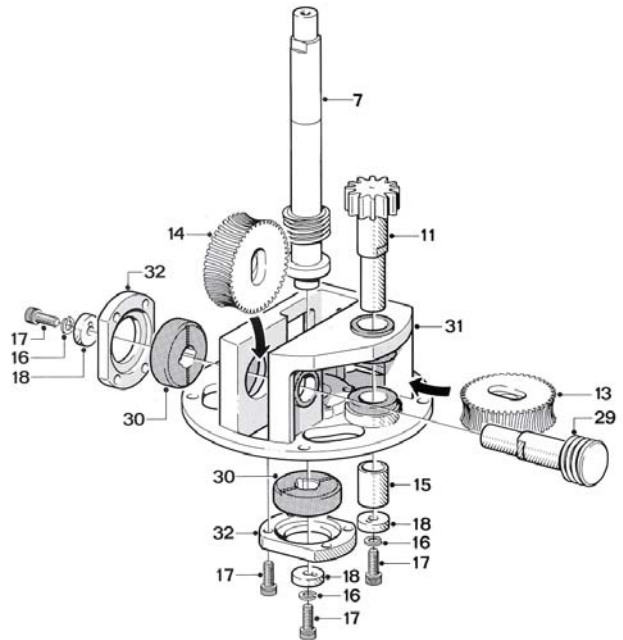
Stem subassembly



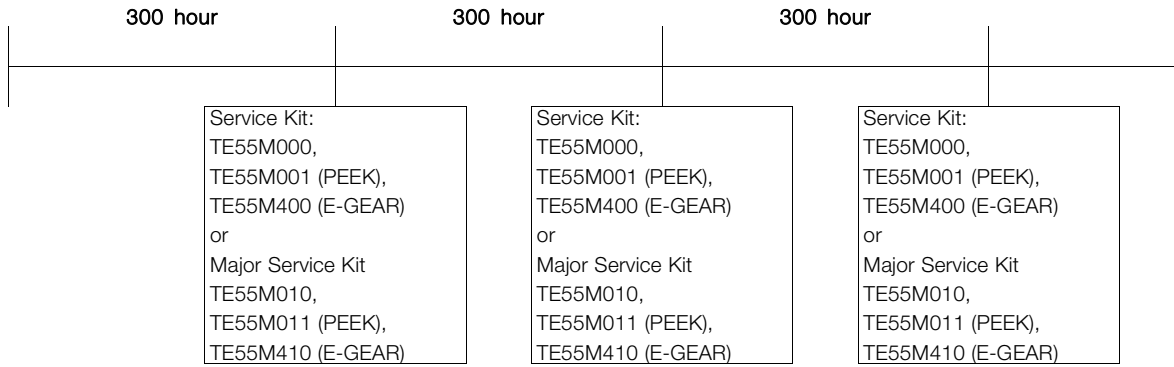
Hub subassembly



Gear subassembly



Service intervals



Service Kit for Toftejorg TZ-79

Article No. TE55M000

Pos	Qty	Denomination	Part No.
	2	Worm wheel w. reinforcement	TE22A360
	1	Main bush	TE609P
	3	Collar bush	TE615K
	4	Locking Wire	TE651
	2	Slide bearing	TE929K

Service Kit Minor for Toftejorg TZ-79 (PEEK)

Article No. TE55M001

Pos	Qty	Denomination	Part No.
	1	Main bush	TE22B575
	3	Collar bush	TE22A585
	2	Worm wheel w. reinforcement	TE22A365
	4	Locking Wire	TE651
	2	Slide bearing	TE22A570

Service Kit Minor for Toftejorg TZ-79 (E-gear)

Article No. TE55M400

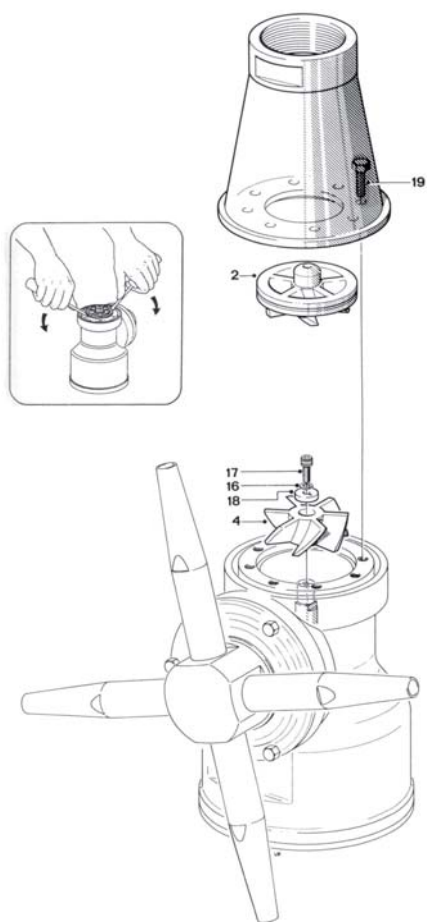
Pos	Qty	Denomination	Part No.
	1	Main bush	TE609P
	3	Collar bush	TE615K
	1	Worm wheel w. reinforcement	TE22A3605
	1	Worm wheel w. reinforcement, E-gear	TE22A564
	4	Locking Wire	TE651
	2	Slide bearing	TE929K

Service Kit Major for Toftejorg TZ-79

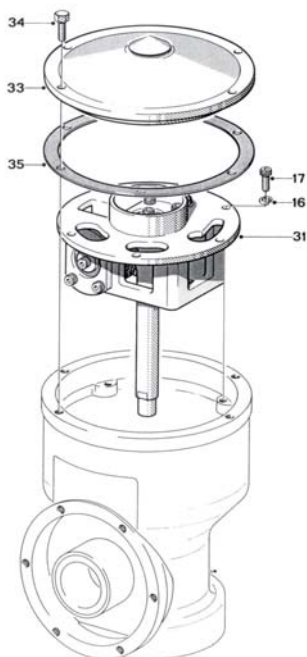
Article No. TE55M010

Pos	Qty	Denomination	Qty x P/n
	1	Turbine shaft	TE911K
	4	Ball race	TE126-1
	1	Hub liner	TE624-11
	1	Split pin	TE448
	2	Ball retainer w balls.	TE126S
	1	Main collar, upper	TE127Z1
	1	Main collar, lower	TE127Z2
	1	Hub collar	TE127-3
	1	Horizontal shaft	TE128Z
	1	Service Kit Minor	TE55M000

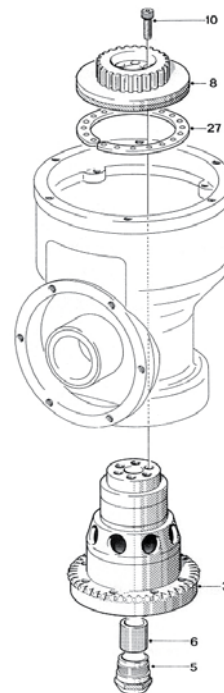
Top assembly



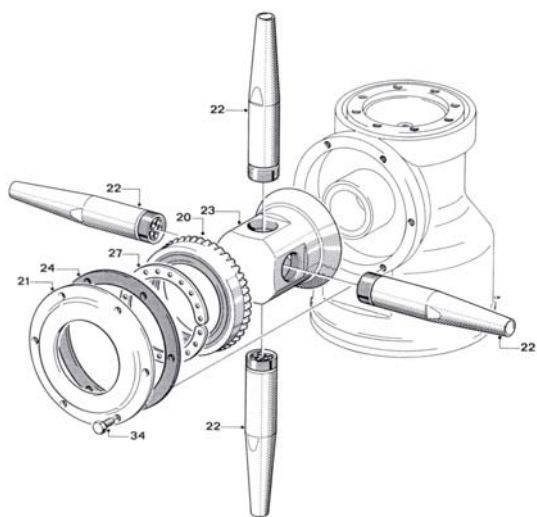
Bottom assembly



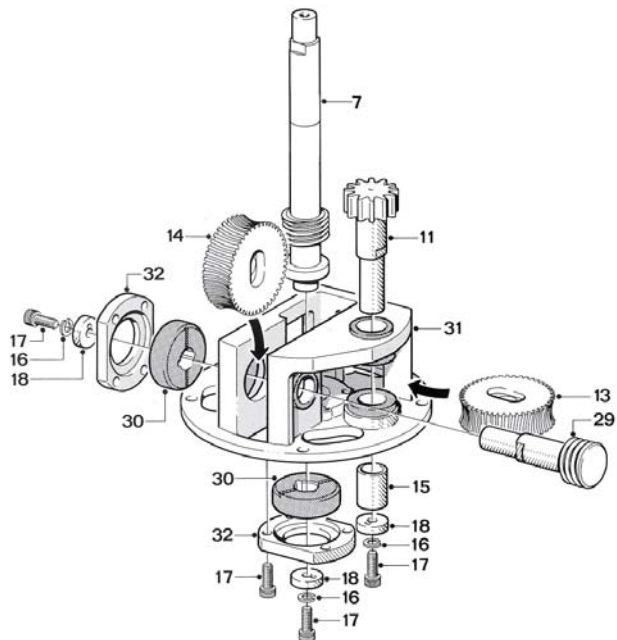
Stem subassembly



Hub subassembly



Gear subassembly



Toftejorg TZ-79

Service Kit Major for Toftejorg TZ-79 (PEEK)

Article No. TE55M011

Pos	Qty	Denomination	Qty x P/n
	1	Turbine shaft	TE911K
	4	Ball race	TE126-1
	1	Hub liner	TE624-11
	1	Split pin	TE448
	2	Ball retainer w balls.	TE126S
	1	Main collar, upper	TE127Z1
	1	Main collar, lower	TE127Z2
	1	Horizontal shaft	TE128Z
	1	Service Kit Minor	TE55M001

Service Kit Major for Toftejorg TZ-79 (E-gear)

Article No. TE55M410

Pos	Qty	Denomination	Qty x P/n
	1	Turbine shaft	TE911K
	4	Ball race	TE126-1
	1	Hub liner	TE624-11
	1	Split pin	TE448
	2	Ball retainer w balls.	TE126S
	1	Main collar, upper	TE127Z1
	1	Main collar, lower	TE127Z2
	1	Hub collar	TE127-3
	1	Horizontal shaft, E-gear	TE128E
	1	Service Kit Minor	TE55M400

Standard Tool kit for Toftejorg TZ-79

Article no. TE81B075

Pos	Qty	Denomination	Tool No.
	1	Unbraco key for screw	TE134
	1	Unbraco Screwdriver	TE134A
	1	Unbraco key for screw	TE135
	1	Unbraco screw driver	TE135A
	1	Open-end spanner	TE462

How to contact Alfa Laval

Contact details for all countries are continually updated on our website.

Please visit www.alfalaval.com to access the information directly.

© Alfa Laval Corporate AB

This document and its contents is owned by Alfa Laval Corporate AB and protected by laws governing intellectual property and thereto related rights. It is the responsibility of the user of this document to comply with all applicable intellectual property laws. Without limiting any rights related to this document, no part of this document may be copied, reproduced or transmitted in any form or by any means (electronic, mechanical, photocopying, recording, or otherwise), or for any purpose, without the expressed permission of Alfa Laval Corporate AB. Alfa Laval Corporate AB will enforce its rights related to this document to the fullest extent of the law, including the seeking of criminal prosecution.