



RODEM[®]

PROCESS EQUIPMENT

www.rodem.com 800-543-7312

Spare Parts

Toftejorg TZ-82 Fixed

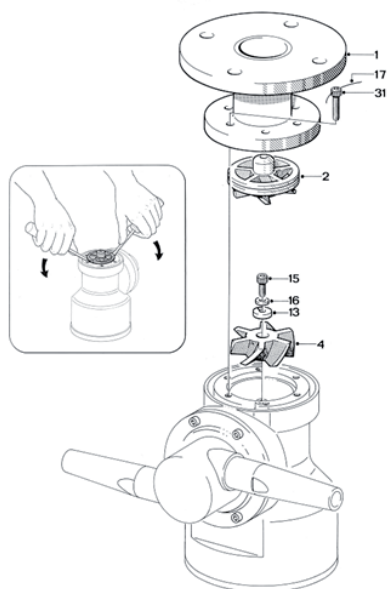
EPS00164-EN 2011-01

Original manual

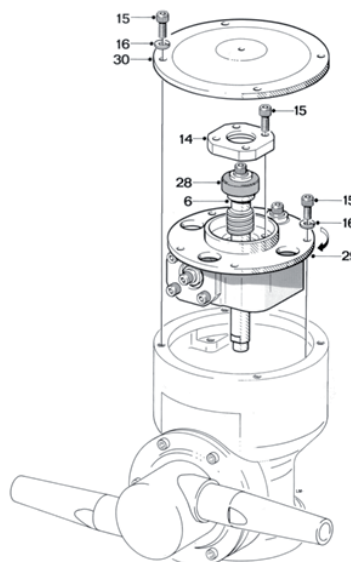
The information herein is correct at the time of issue but may be subject to change without prior notice

1. Toftejorg TZ-82 Fixed 4

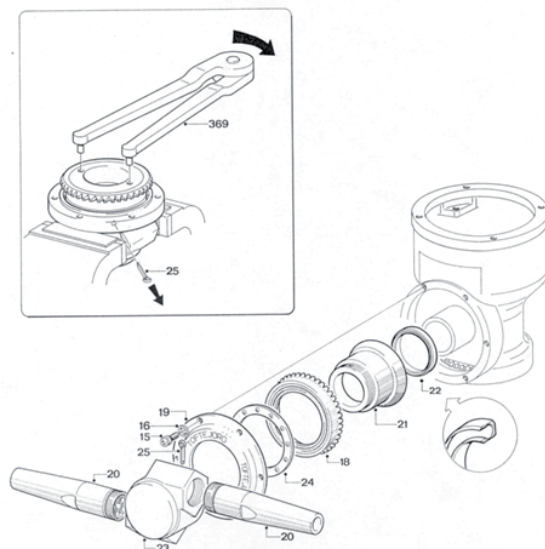
Top assembly



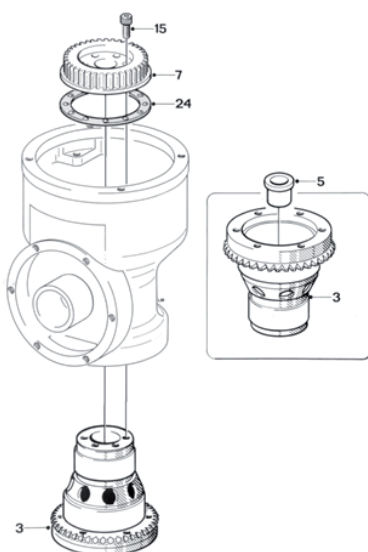
Bottom assembly



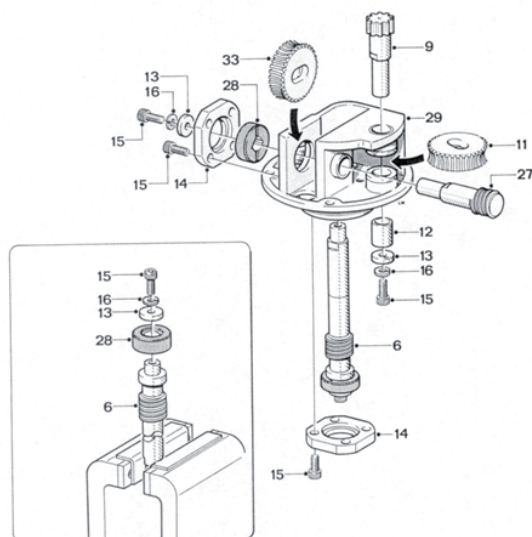
Hub assembly



Stem subassembly



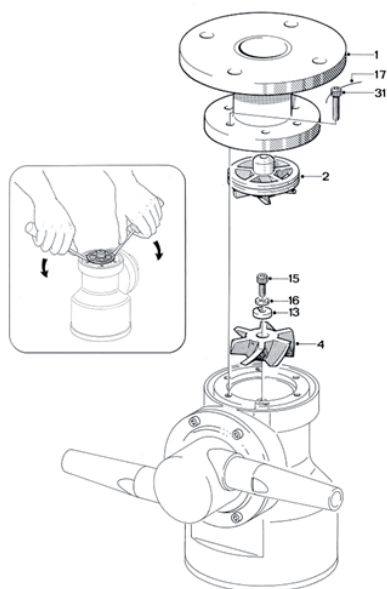
Gear subassembly



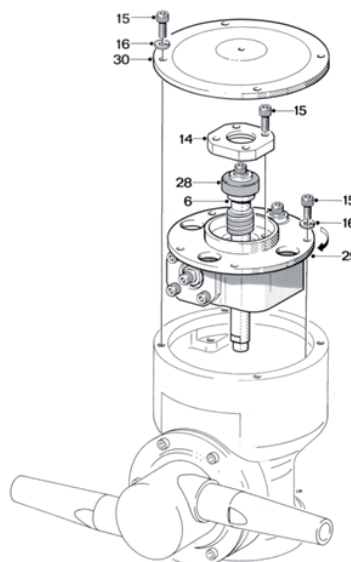
Reference List of Parts, Toftejorg TZ-82 Fixed

Pos	Qty	Denomination	Ref. No.
1	1	Topflange w. 4xø11, Stainless steel	TE21B510
	1	Topflange w. JIS16K-40, Stainless steel	TE21B517
		Without flange	
2	1	Guide 100%, Stainless steel	TE703
	1	Guide 50%, Stainless steel	TE703-50
	1	Guide ring 0%, Stainless steel	TE803-0
3	1	Stem, complete, Stainless steel/Polymer	TE21B328
3.1	1	Bottom liner, Polymer	TE21B546**)
3.2	1	Top liner, Polymer	TE21B545**)
4	1	Impeller 100%, Stainless steel	TE705
	1	Impeller 50%, Stainless steel	TE705-50
5	1	Main bush , Polymer	TE21B525
6	1	Turbine shaft, Stainless steel	TE411K
7	1	Gear wheel w. ball race, Stainless steel	TE712-13
7.1		Ball race, Stainless steel	TE826-1
9	1	Pinion, Stainless steel	TE814
10	3	Collar bush, Carbon	TE715K
11	1	Worm wheel w. reinforcem., Stainless steel/Polymer	TE21B350
	1	Worm wheel w. E-gear, Stainless steel	TE21A564
12	1	Journal, Stainless steel	TE817
13	4	Washer, Stainless steel	TE719A
14	2	Bearing cover, Stainless steel	TE731
15	32	Screw , Stainless steel	TE118
16	18	Spring washer, Stainless steel	TE156
17	3	Locking wire, Stainless steel	TE651
18	1	Bevel gear w. ball race, Stainless steel	TE722S
18.1		Ball race, Stainless steel	TE826-1
19	1	Hub cover w. ball race, Stainless steel	TE21A340
19.1		Ball race, Stainless steel	TE826-1
20	2	Nozzle, ø 7 mm, Stainless steel	TE50B007
	2	Nozzle, ø 8 mm, Stainless steel	TE50B008
	2	Nozzle, ø 9 mm, Stainless steel	TE50B009
	2	Nozzle, ø 10 mm, Stainless steel	TE50B010
21	1	Hub conical part, Stainless steel	TE21B536
22	1	Lip seal, Polymer	TE21B549
23	1	Hub nozzle part, Stainless steel	TE724-2-15
24	2	Ball retainer w. balls, Stainless steel/Polymer	TE21A380
25	1	Cotter pin, Stainless steel	TE448
26	1	Body with bearing, Stainless steel	TE727Z4
26.1	1	Main collar upper, Stainless steel	TE827Z1
26.2	1	Main collar lower, Stainless steel	TE827G2
26.3	1	Ball race, Stainless steel	TE826-1
27	1	Horizontal shaft, Stainless steel	TE828Z
	1	Horizontal shaft, E-gear, Stainless steel	TE21A550
28	2	Slide bearing, Carbon	TE729K
29	1	Gear frame, Stainless steel	TE730
30	1	Bottom cover, Stainless steel	TE733-5
31	6	Screw, Stainless steel	TE164
33	1	Worm wheel , Polymer/Stainless steel	TE21B350
34	2	Nozzle extension, Stainless steel	TE50B101

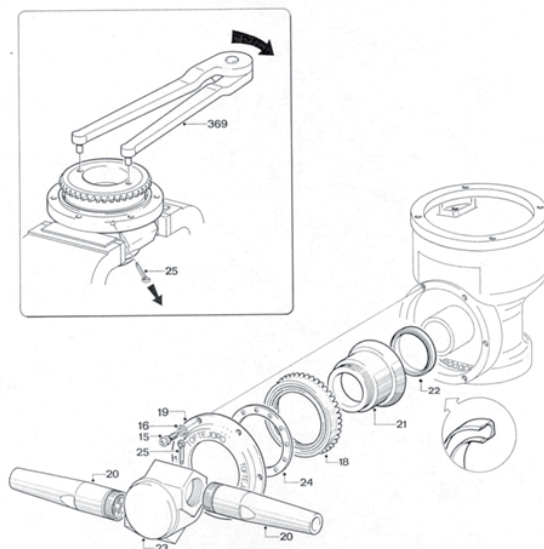
Top assembly



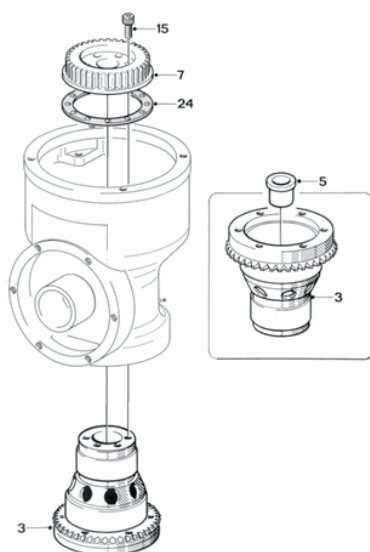
Bottom assembly



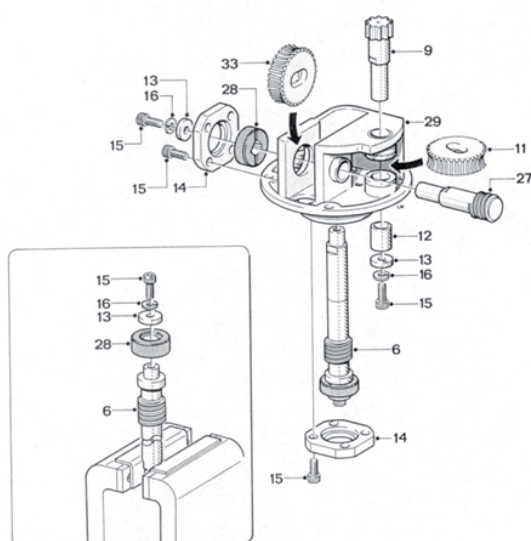
Hub assembly



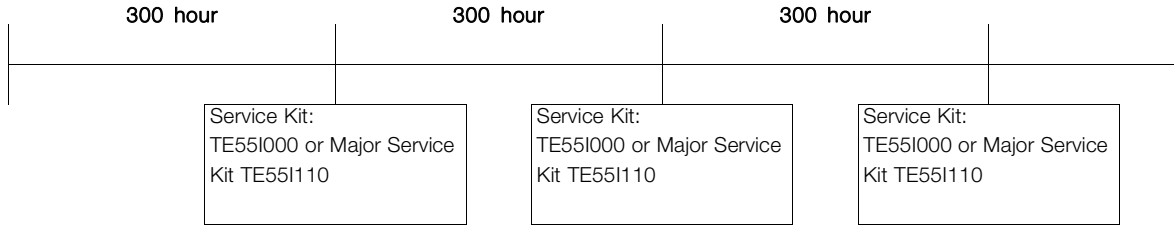
Stem subassembly



Gear subassembly



Service intervals



Service Kit for Toftejorg TZ-82 Fixed
Article No. TE551000

Pos	Qty	Denomination	Part No.
	1	Main bush	TE21B525
	3	Collar bush	TE715K
	3	Locking wire	TE651
	1	Worm wheel	TE21B350
	1	Worm wheel	TE21B350
	1	Lip seal	TE21B549
	2	Slide bearing	TE729K

Major Service Kit for Toftejorg TZ-82 Fixed
Article No. TE551110

Pos	Qty	Denomination	Part No.
	1	Turbine shaft	TE411K
	1	Ball race	TE826-1
	1	Ball race	TE826-1
	1	Ball race	TE826-1
	1	Ball race	TE826-1
	2	Ball retainer with balls	TE21A380
	1	Cotter pin	TE448
	1	Main collar, upper	TE827Z1
	1	Main collar, lower	TE827G2
	1	Horizontal shaft	TE828Z
	1	Service Kit Minor TZ-82FIX	TE551100

Standard Tool kit for Toftejorg TZ-82 Fixed
Article no. TE81B060

Pos	Qty	Denomination	Tool No.
	1	Unbraco key for screw	TE134
	2	Unbraco screw driver	TE134A
	1	5 mm Calipers	TE369

How to contact Alfa Laval

Contact details for all countries are continually updated on our website.

Please visit www.alfalaval.com to access the information directly.

© Alfa Laval Corporate AB

This document and its contents is owned by Alfa Laval Corporate AB and protected by laws governing intellectual property and thereto related rights. It is the responsibility of the user of this document to comply with all applicable intellectual property laws. Without limiting any rights related to this document, no part of this document may be copied, reproduced or transmitted in any form or by any means (electronic, mechanical, photocopying, recording, or otherwise), or for any purpose, without the expressed permission of Alfa Laval Corporate AB. Alfa Laval Corporate AB will enforce its rights related to this document to the fullest extent of the law, including the seeking of criminal prosecution.