



**RODEM<sup>®</sup>**

PROCESS EQUIPMENT

[www.rodem.com](http://www.rodem.com) 800-543-7312

## Spare Parts

Toftejorg TZ-82 Portable

EPS00163-EN1 2011-01

Original manual

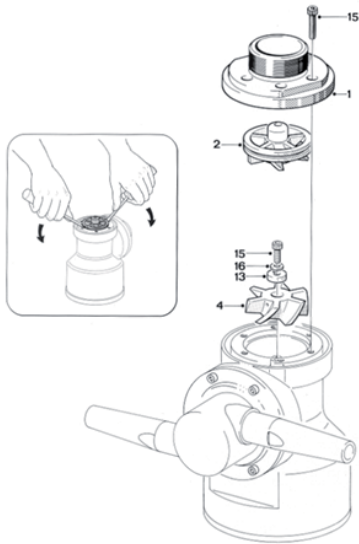


---

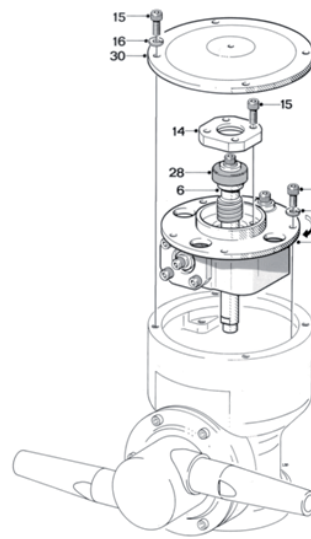
*The information herein is correct at the time of issue but may be subject to change without prior notice*

**1. Toftejorg TZ-82 Portable ..... 4**

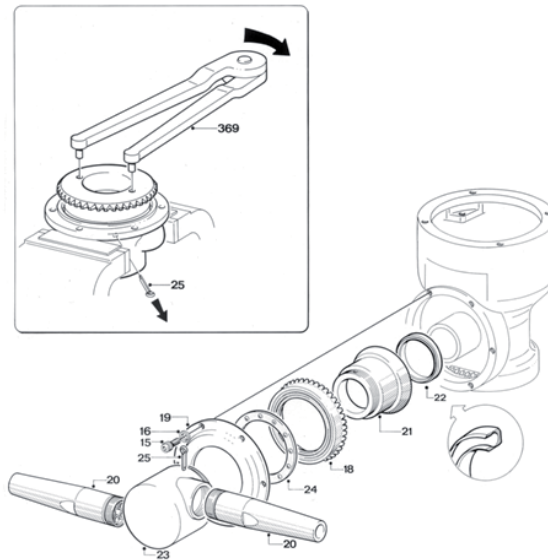
Top assembly



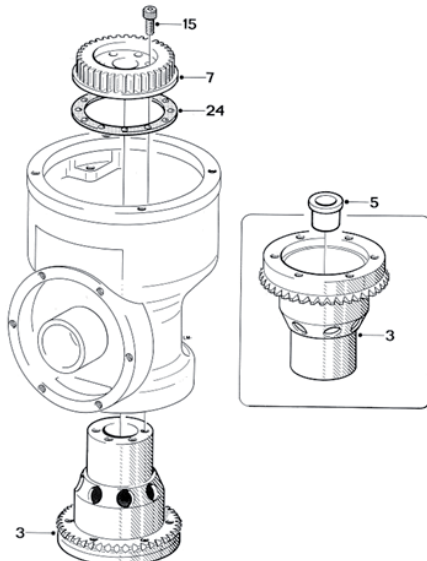
Bottom assembly



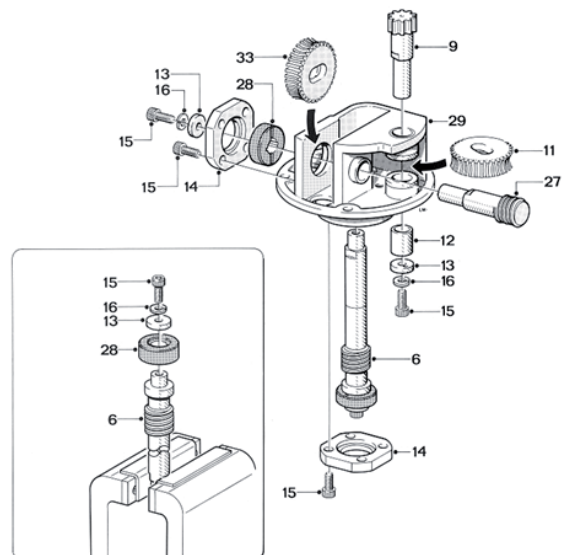
Hub assembly



Stem subassembly



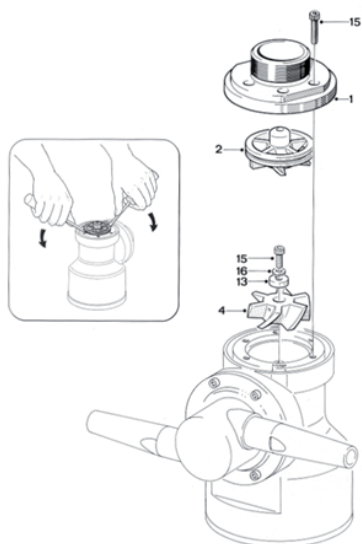
Gear subassembly



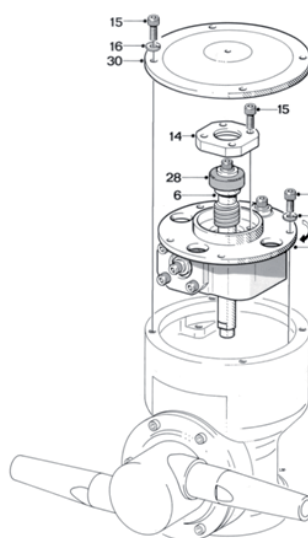
Reference List of Parts, Toftejorg TZ-82 Portable

Pos	Qty	Denomination	Ref. No.
1	□	1 Nipple 1½" BSP, Stainless steel	TE21B500
	□	1 Nipple 1½" NPT, Stainless steel	TE21B501
2	□	1 Guide 100%, Stainless steel	TE703
	□	1 Guide 50%, Stainless steel	TE703-50
	□	1 Guide ring 0%, Stainless steel	TE803-0
3		1 Stem, Stainless steel	TE21B526
4	□	1 Impeller 100%, Stainless steel	TE705
	□	1 Impeller 50%, Stainless steel	TE705-50
5		1 Main bush , Polymer	TE21A525
6		1 Turbine shaft, Stainless steel	TE411K
7		1 Gear wheel w. ball race, Stainless steel	TE712-13
7.1	-1	Ball race, Stainless steel	TE826-1
9		1 Pinion, Stainless steel	TE814
10		3 Collar bush, Polymer	TE21A585
11	□	1 Worm wheel w. reinforcem., Polymer/Stainless steel	TE21A367
	□	1 Worm wheel, E-gear, Stainless steel	TE21A564
12		1 Journal, Stainless steel	TE817
13		4 Washer, Stainless steel	TE719A
14		2 Bearing cover, Stainless steel	TE731
15		38 Screw, Stainless steel	TE118
16		18 Spring washer, Stainless steel	TE156
17		1 Handle 1½" BSP, Bronze	TE801A
18		1 Bevel gear w. ball race, Stainless steel	TE722S
18.1	-1	Ball race, Stainless steel	TE826-1
19		1 Hub cover w. ball race, Stainless steel	TE21B340
19.1	-1	Ball race, Stainless steel	TE826-1
20		2 Nozzle, ø7 mm, Stainless steel	TE50B007
		2 Nozzle, ø8 mm, Stainless steel	TE50B008
		2 Nozzle, ø9 mm, Stainless steel	TE50B009
		2 Nozzle, ø10 mm, Stainless steel	TE50B010
21		1 Hub conical part, Stainless steel	TE21B536
22		1 Lip seal, Polymer	TE21B549
23		1 Hub nozzle part, Stainless steel	TE724-2-15
24		2 Ball retainer w. balls, Polymer/Stainless steel	TE21A380
25		1 Cotter pin, Stainless steel	TE448
26		1 Body , Stainless steel	TE727Z4
26.1		1 Main collar upper, Polymer	TE21B520
26.2		1 Main collar lower, Polymer	TE21B521
26.3		1 Ball race, Stainless steel	TE826-1
27	□	1 Horizontal shaft, Stainless steel	TE828Z
	□	1 Horizontal shaft, e-gear, Stainless steel	TE21A550
28		2 Slide bearing, Polymer	TE21A570
29		1 Gear frame , Stainless steel	TE730
30		1 Bottom cover, Stainless steel	TE733-5
33		1 Worm wheel w. reinforcem., Polymer/Stainless steel	TE21A367
34	□	2 Nozzle extension, Stainless steel	TE50B101

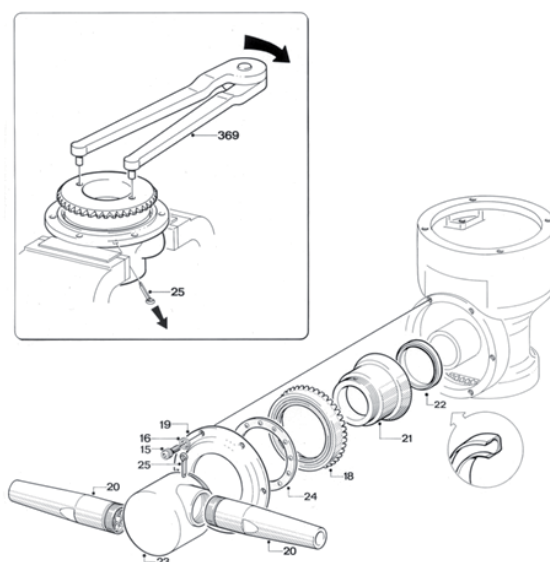
Top assembly



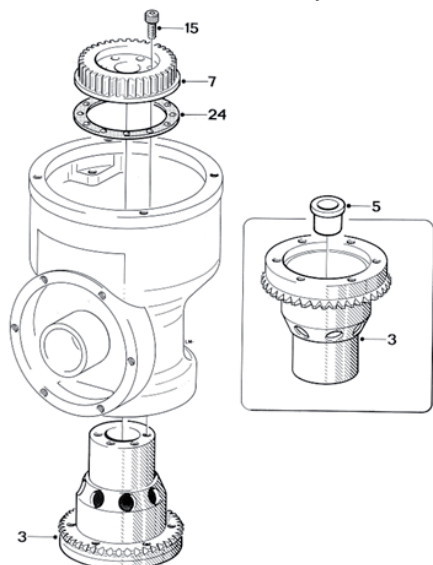
Bottom assembly



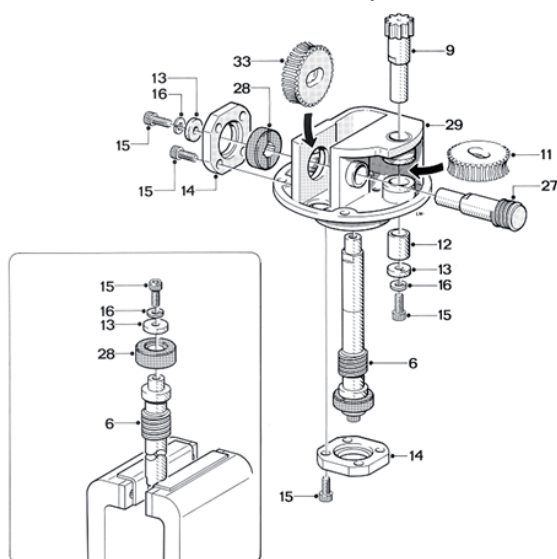
Hub assembly



Stem subassembly

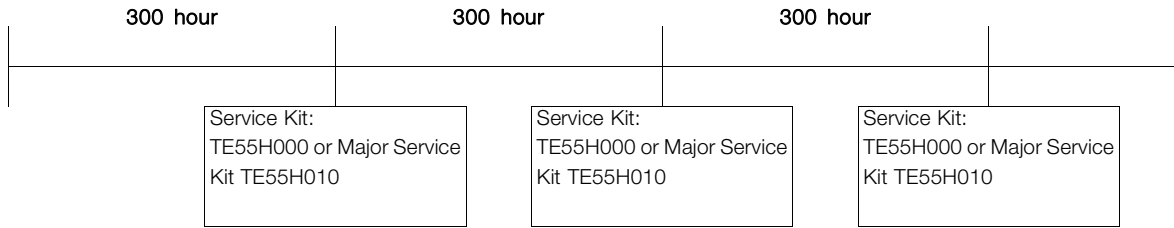


Gear subassembly



# Toftejorg TZ-82 Portable

## Service intervals



## Service Kit for Toftejorg TZ-82 Portable Article No. TE55H000

Pos	Qty	Denomination	Part No.
	1	Main bush .....	TE21A525
	3	Collar bush .....	TE21A585
	1	Worm wheel .....	TE21A367
	1	Worm wheel .....	TE21A367
	3	Locking wire .....	TE651
	1	Lip seal .....	TE21B549
	2	Slide bearing .....	TE21A570

## Major Service Kit for Toftejorg TZ-82 Portable Article No. TE55H010

Pos	Qty	Denomination	Part No.
	1	Turbine shaft .....	TE411K
	1	Ball race .....	TE826-1
	1	Ball race .....	TE826-1
	1	Ball race .....	TE826-1
	1	Ball race .....	TE826-1
	2	Ball retainer with balls .....	TE21A380
	1	Cotter pin .....	TE448
	1	Main collar, upper .....	TE21B520
	1	Main collar, lower .....	TE21B521
	1	Horizontal shaft .....	TE828Z
	1	Service Kit Minor TZ-82PT .....	TE55H000

## Standard Tool kit for Toftejorg TZ-82 Fixed Article no. TE81B060

Pos	Qty	Denomination	Tool No.
	1	Unbraco key for screw .....	TE134
	2	Unbraco screw driver .....	TE134A
	1	5 mm Calipers .....	TE369

**How to contact Alfa Laval**

Contact details for all countries are continually updated on our website.

Please visit [www.alfalaval.com](http://www.alfalaval.com) to access the information directly.

© Alfa Laval Corporate AB

This document and its contents is owned by Alfa Laval Corporate AB and protected by laws governing intellectual property and thereto related rights. It is the responsibility of the user of this document to comply with all applicable intellectual property laws. Without limiting any rights related to this document, no part of this document may be copied, reproduced or transmitted in any form or by any means (electronic, mechanical, photocopying, recording, or otherwise), or for any purpose, without the expressed permission of Alfa Laval Corporate AB. Alfa Laval Corporate AB will enforce its rights related to this document to the fullest extent of the law, including the seeking of criminal prosecution.